



US00D334450S

United States Patent [19]

[11] Patent Number: **Des. 334,450**

Rapaz

[45] Date of Patent: **** Mar. 30, 1993**

[54] **RECEPTACLE LID**

[56] **References Cited**

[76] Inventor: **Antonio R. Rapaz**, 46011 Cleveland Avenue, Chilliwack, British Columbia, Canada, V2P 2U8

U.S. PATENT DOCUMENTS

D. 199,710 12/1964 Martin et al. D34/7
D. 282,720 2/1986 Borg D9/414
3,866,824 2/1975 Lewis 232/43.2
4,905,853 3/1990 Strawder 220/23.83

[**] Term: **14 Years**

Primary Examiner—Kay H. Chin
Attorney, Agent, or Firm—Barrigar & Oyen

[21] Appl. No.: **625,592**

[57] **CLAIM**

[22] Filed: **Dec. 10, 1990**

The ornamental design for a receptacle lid, as shown and described.

[30] **Foreign Application Priority Data**

Jun. 8, 1990 [CA] Canada 08-06-90-11

[52] U.S. Cl. **D34/11; D34/10**

[58] Field of Search D34/1, 7, 10, 11;
220/908, 909, 910, 353, 23.83; 232/43.2;
D9/414, 434, 435, 443

DESCRIPTION

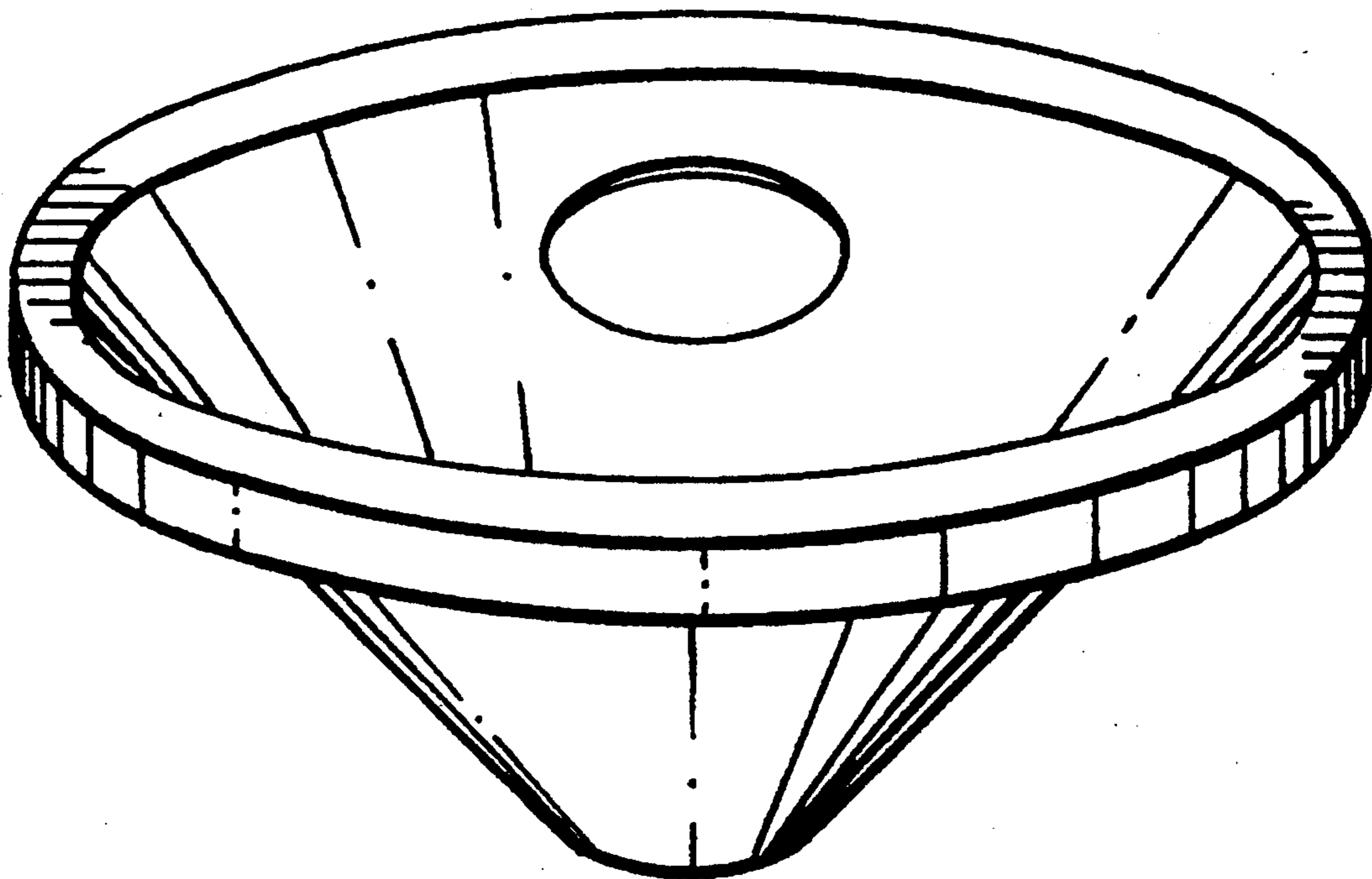
FIG. 1 is a bottom perspective view of a receptacle lid showing my new design;

FIG. 2 is a top plan view thereof;

FIG. 3 is a front elevational view thereof;

FIG. 4 is a side elevational view thereof; and,

FIG. 5 is a bottom plan view thereof.



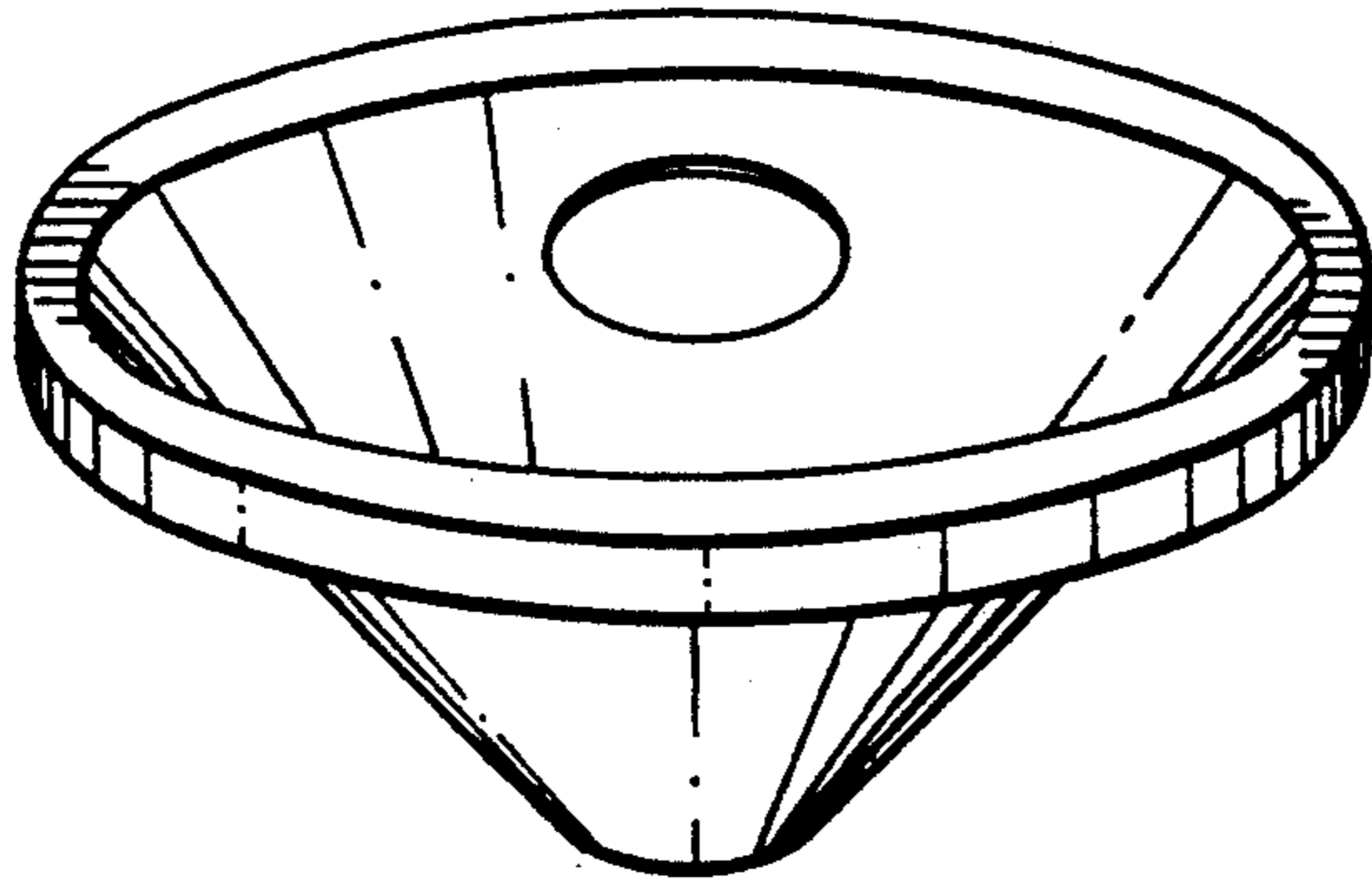


FIG. 1

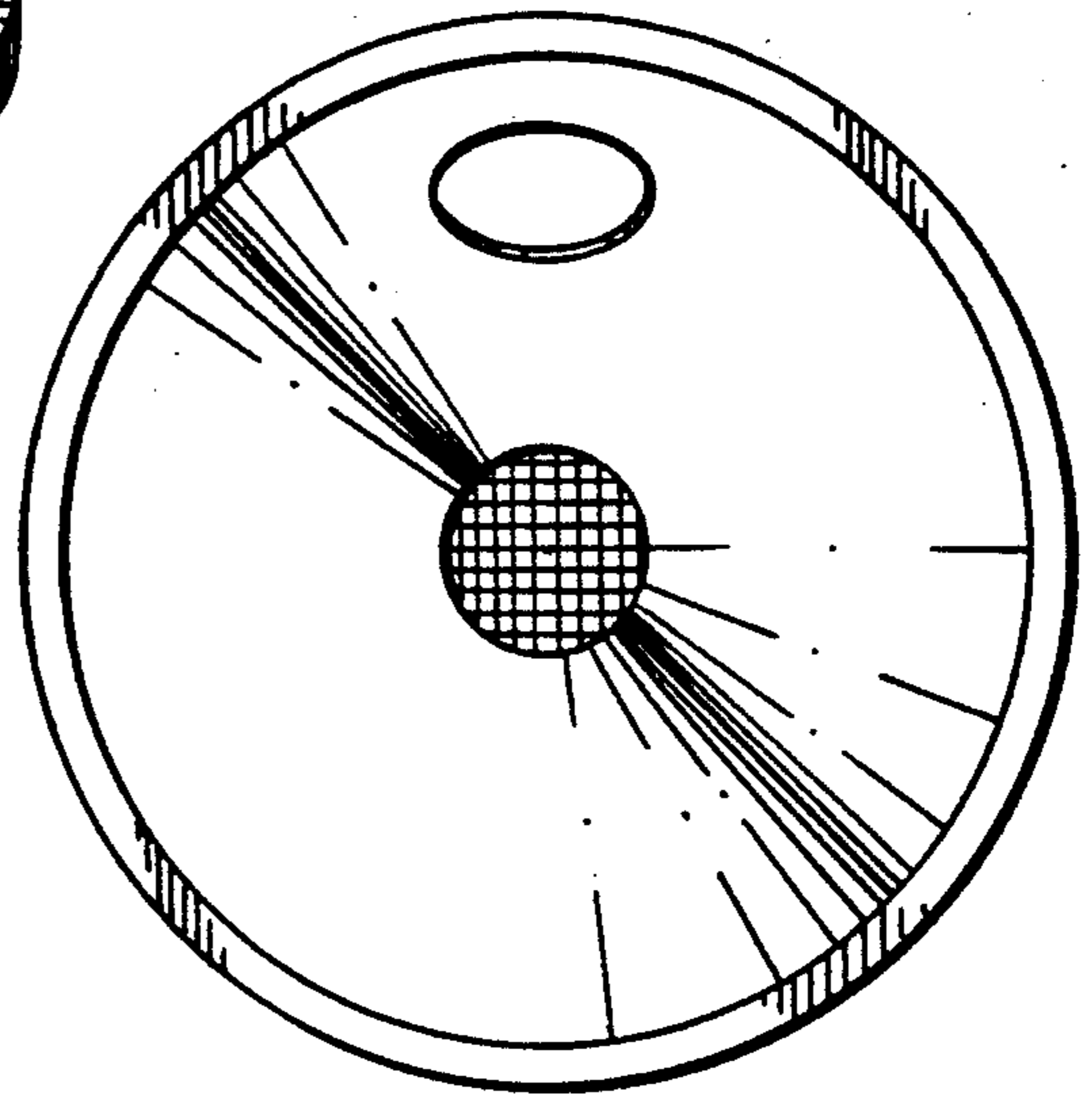


FIG. 2

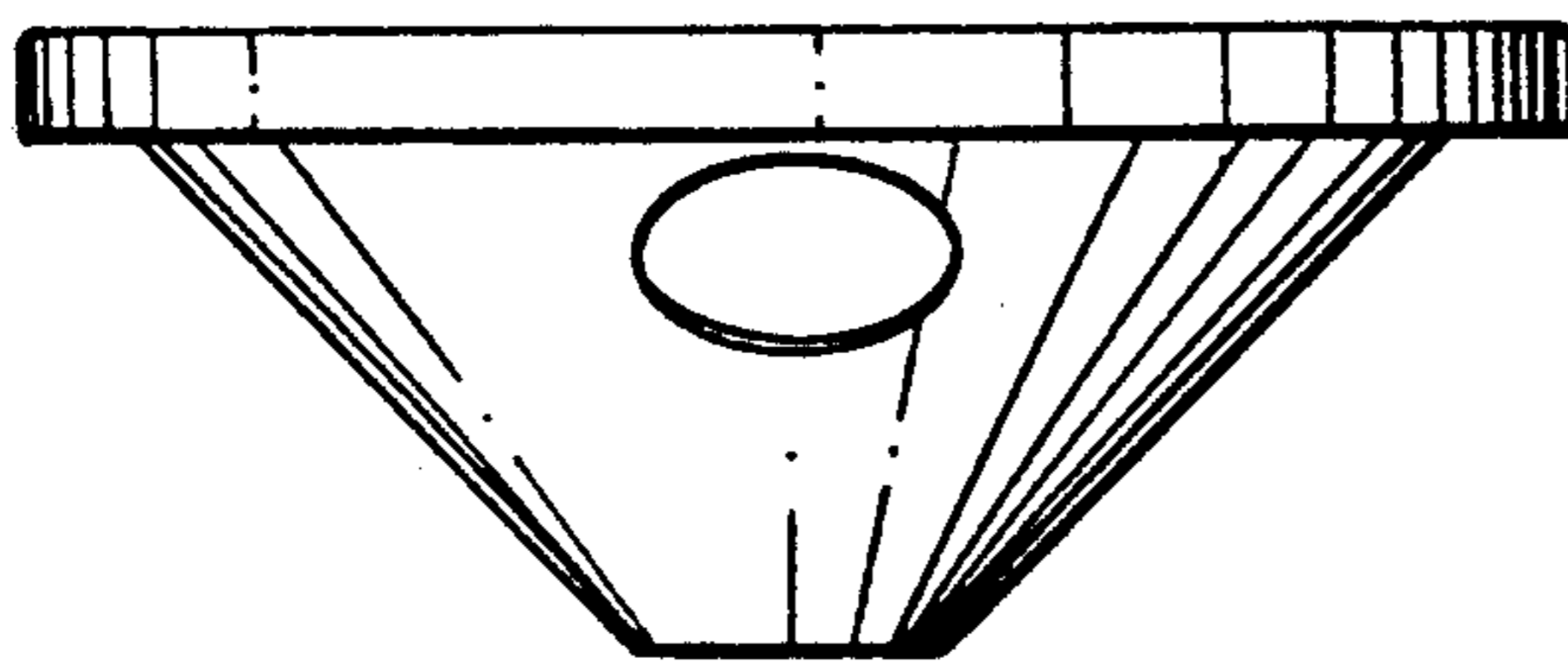


FIG. 3

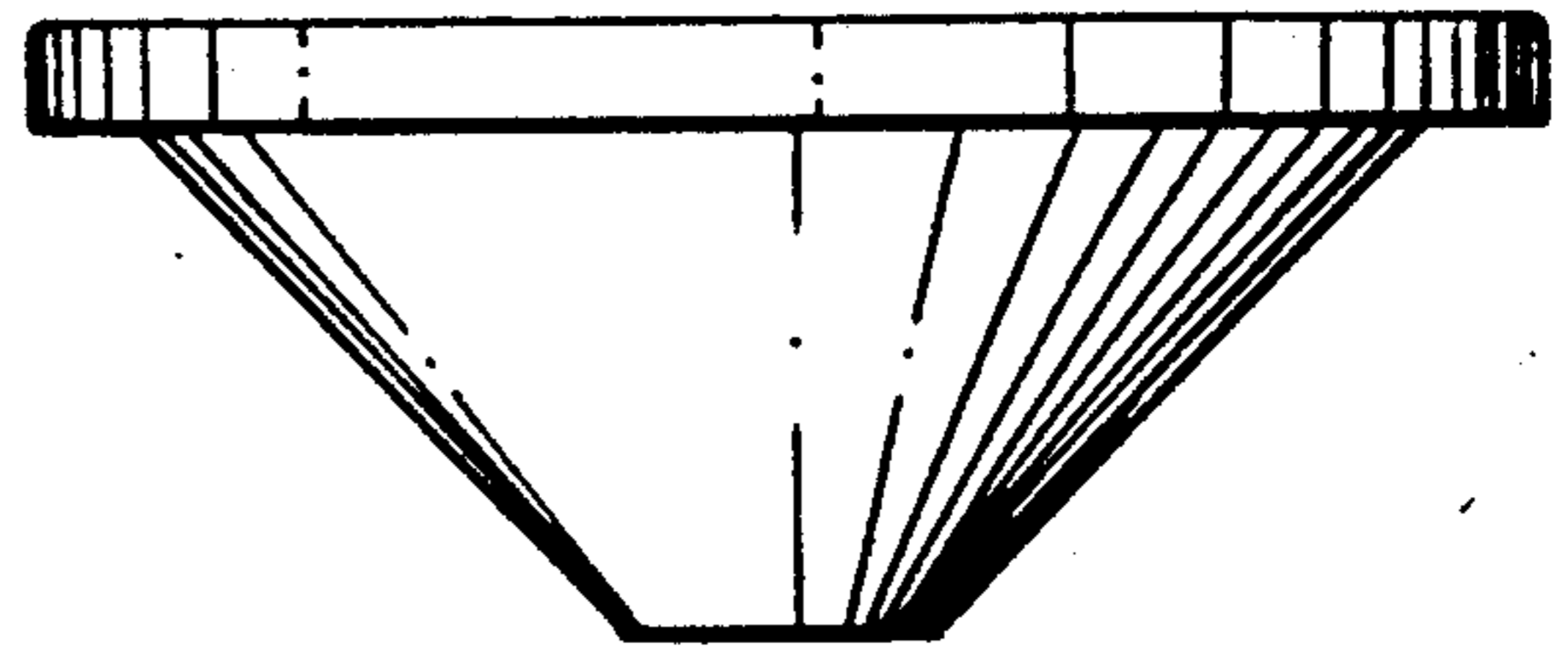


FIG. 4

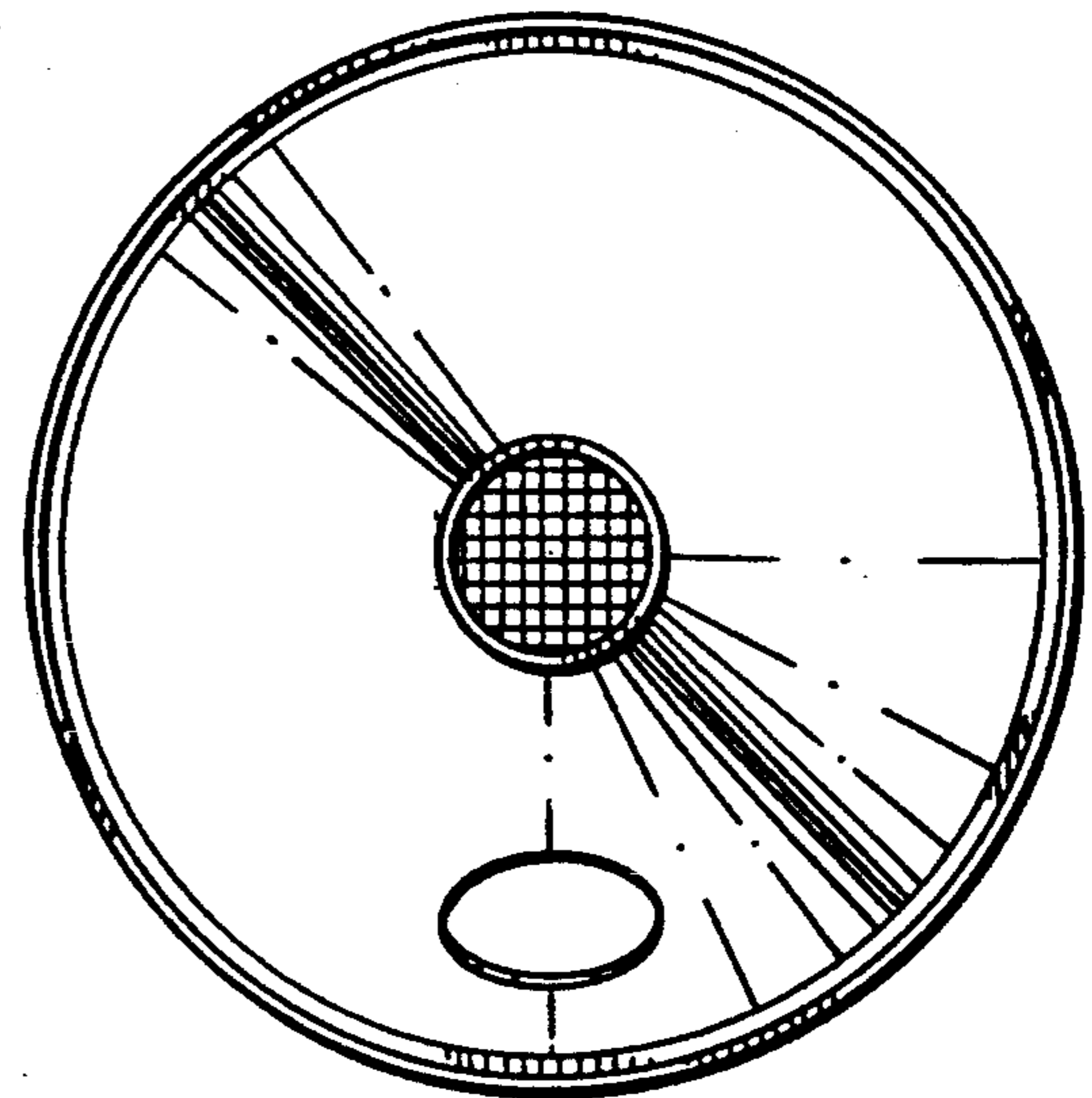


FIG. 5