



US00D334449S

# United States Patent [19]

[11] Patent Number: Des. 334,449

Gaba et al.

[45] Date of Patent: \*\* Mar. 30, 1993

- [54] SHARPS COLLECTION CONTAINER HOLDER
- [75] Inventors: **Rodolfo Gaba; Bruno J. Ramirez,**  
both of Simi Valley, Calif.
- [73] Assignee: **Devon Industries, Inc.,** Chatsworth,  
Calif.
- [\*\*] Term: **14 Years**
- [21] Appl. No.: **641,575**
- [22] Filed: **Jan. 4, 1991**
- [52] U.S. Cl. .... **D34/6; D6/566**
- [58] Field of Search ..... **D34/1, 5, 6; 248/95,**  
**248/97, 98, 99, 100, 101; D6/566**
- [56] **References Cited**  
**U.S. PATENT DOCUMENTS**  
D. 297,795 9/1988 Bateman ..... D6/566

- D. 299,574 1/1989 Savicki ..... D34/6
- 4,398,689 8/1983 Prader ..... 248/99
- 4,445,658 5/1984 Herron ..... 248/99
- 4,858,862 8/1989 Prader ..... 248/99

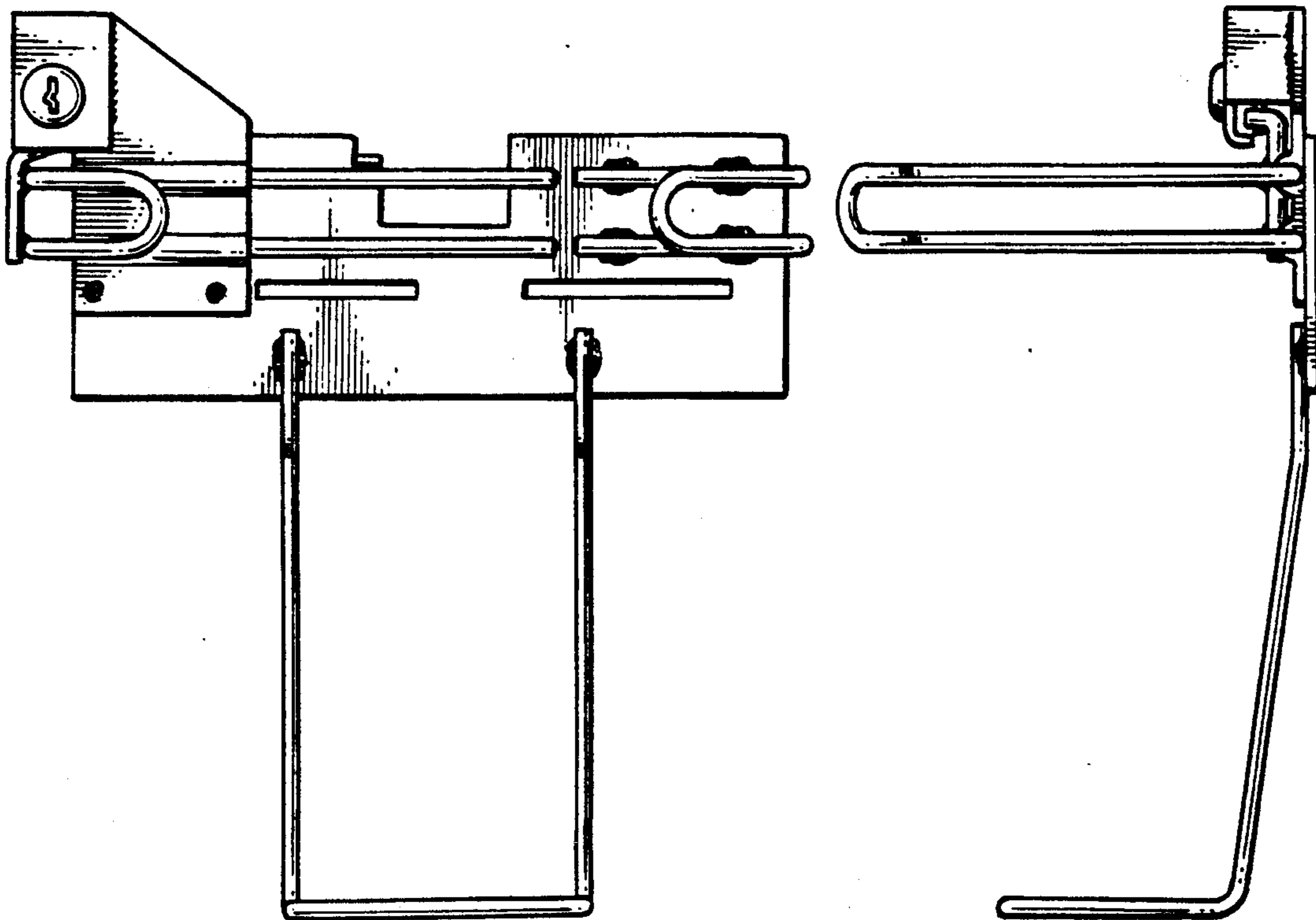
*Primary Examiner*—Kay H. Chin  
*Attorney, Agent, or Firm*—Poms, Smith, Lande & Rose

### [57] CLAIM

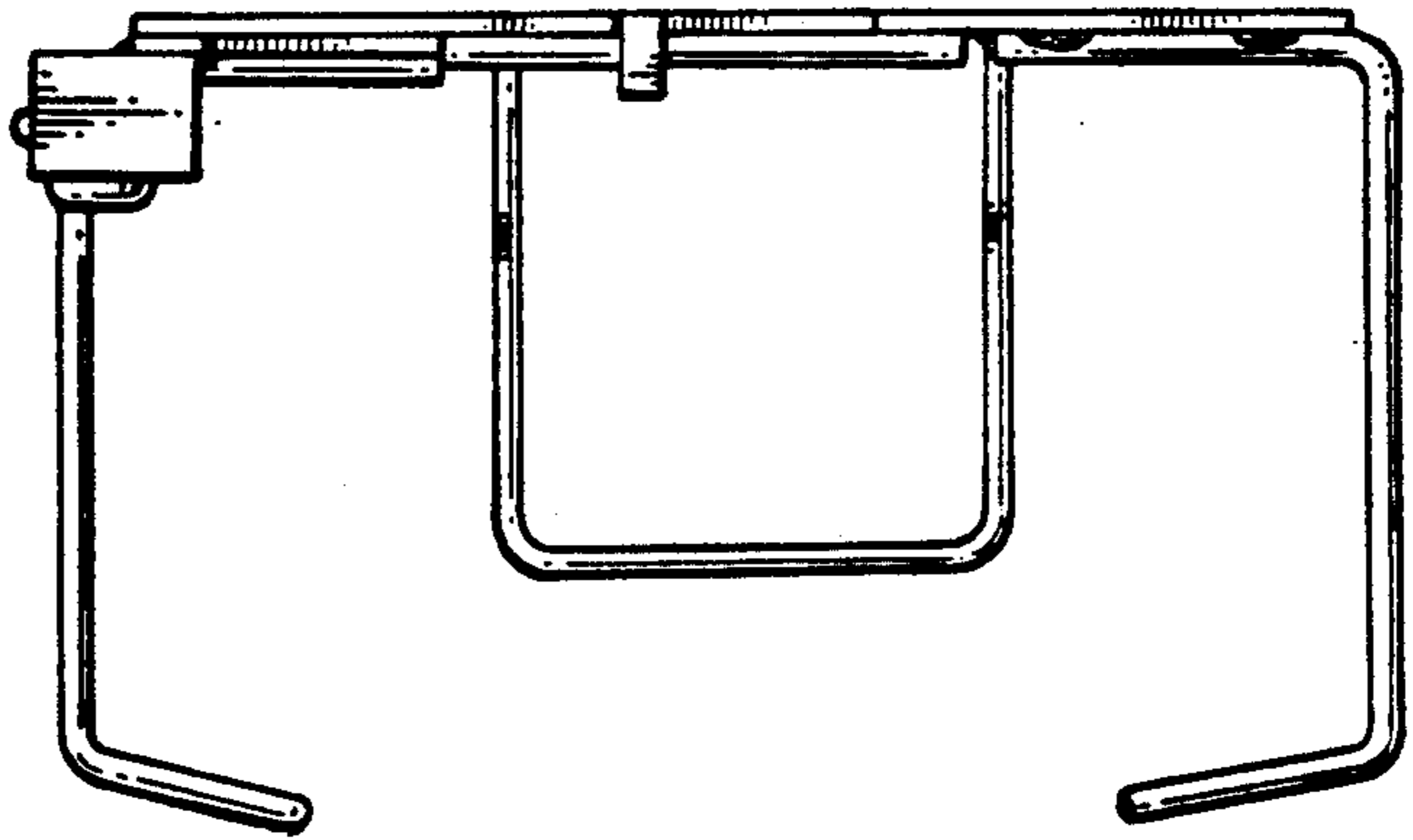
The ornamental design for a sharps collection container holder, as shown and described.

### DESCRIPTION

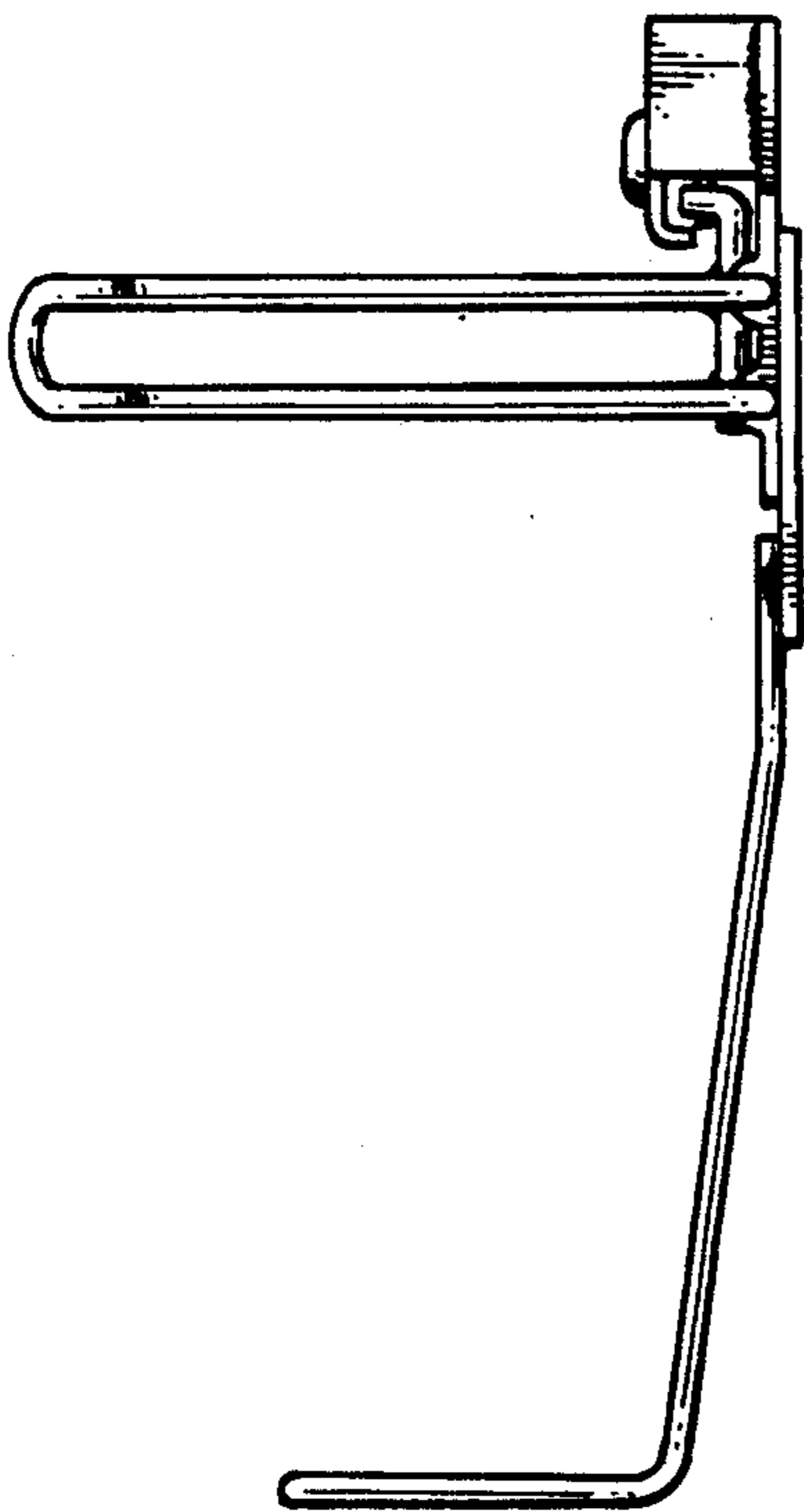
FIG. 1 is a front elevational view of a sharps collection container holder showing our new design; FIG. 2 is a top plan view thereof; FIG. 3 is a right side elevational view thereof; FIG. 4 is a left side elevational view thereof; FIG. 5 is a rear elevational view thereof; and, FIG. 6 is a bottom plan view thereof.



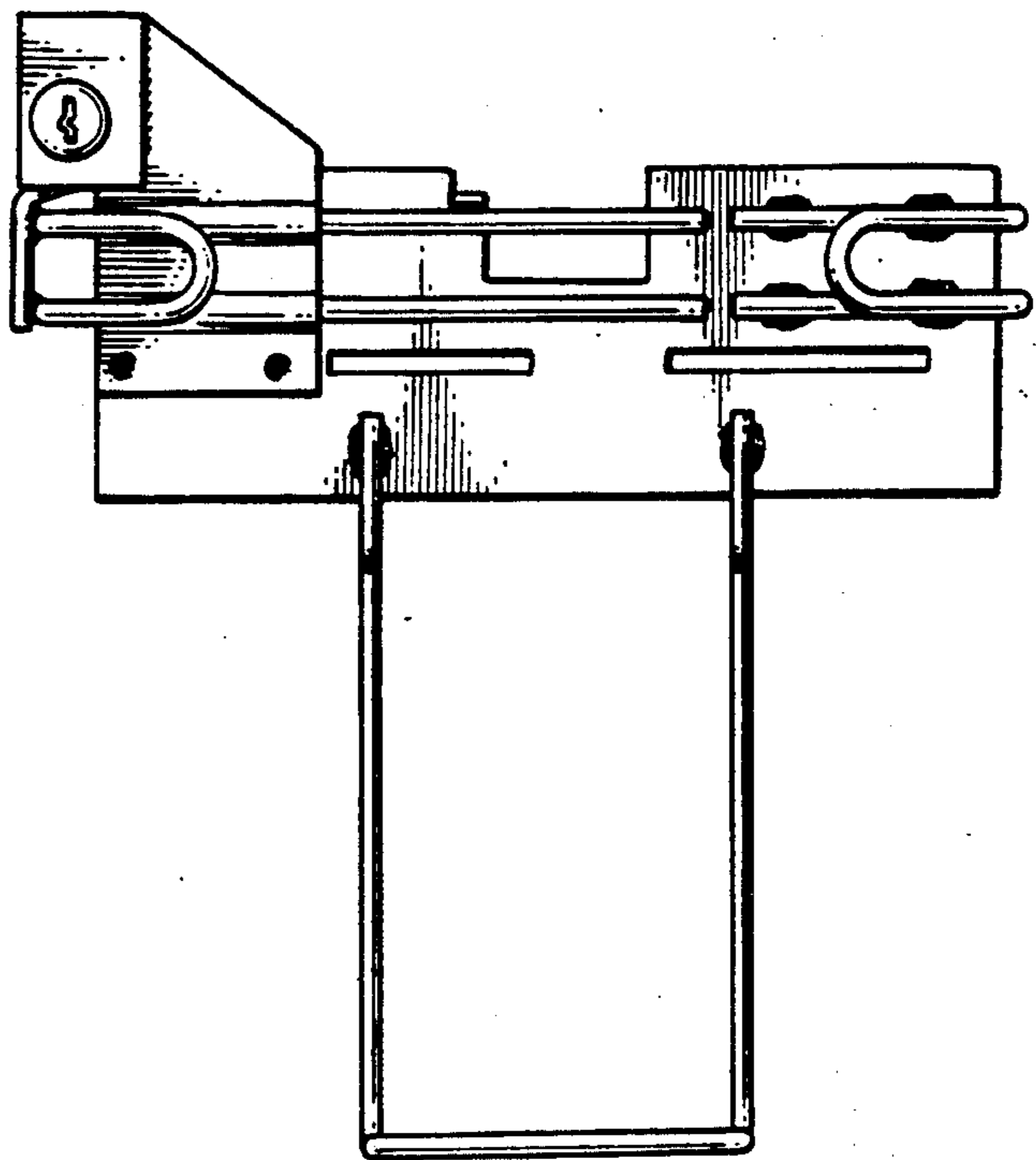
*Fig. 2.*



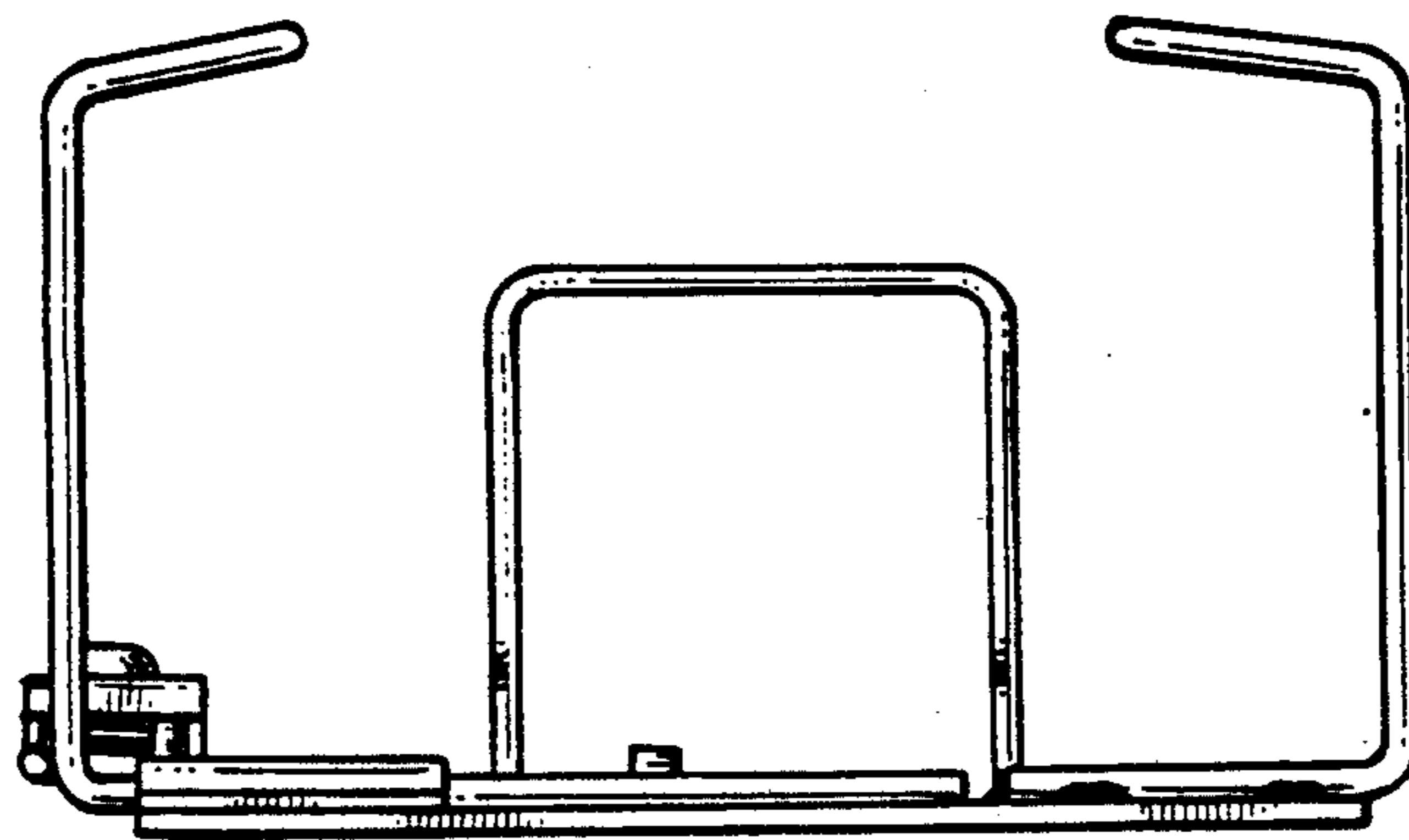
*Fig. 3.*



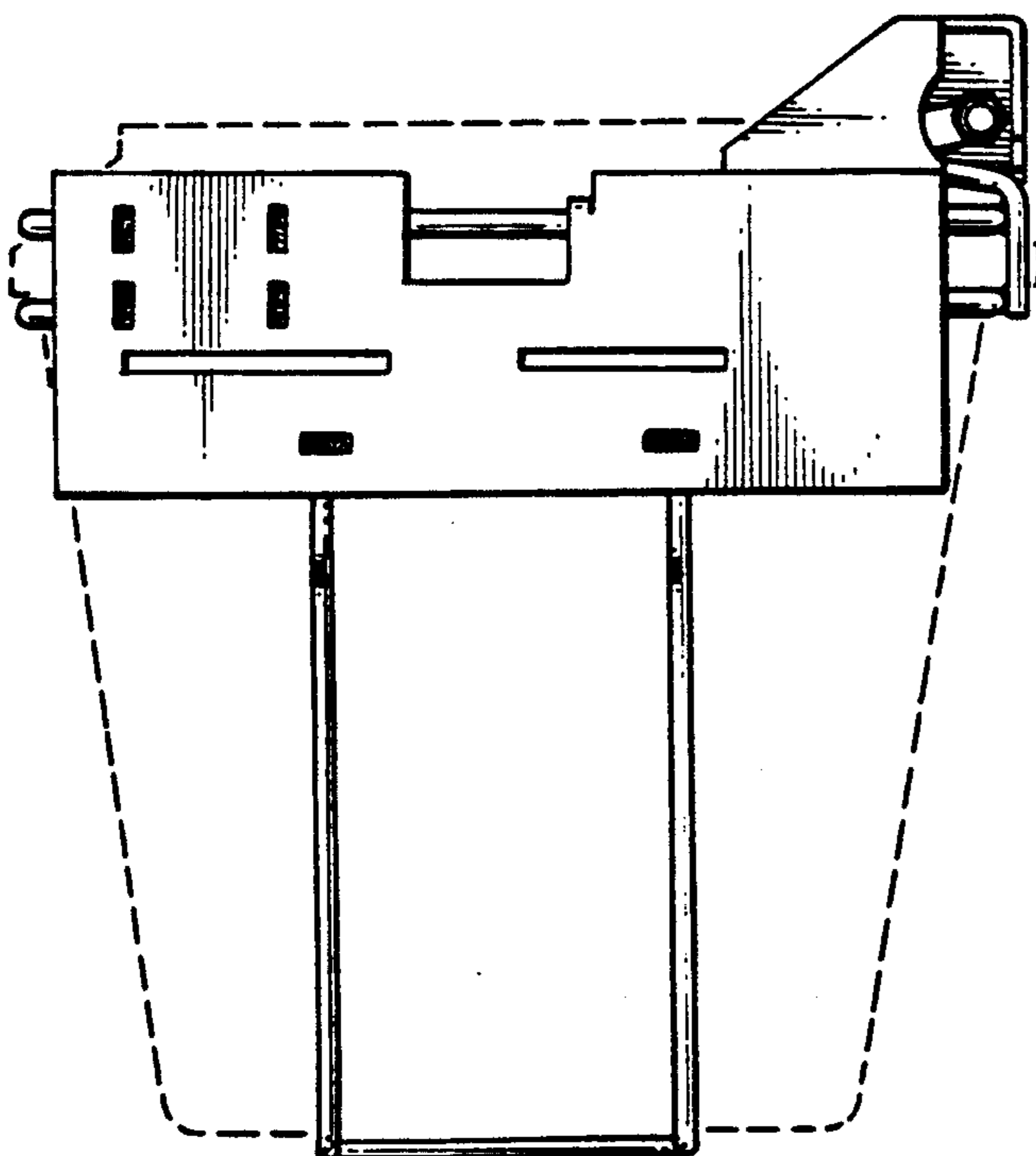
*Fig. 1.*



*Fig. 6.*



*Fig. 5.*



*Fig. 4.*

