



US00D334447S

United States Patent [19]

[11] Patent Number: **Des. 334,447**

Rohn

[45] Date of Patent: **** Mar. 30, 1993**

[54] VACUUM CLEANER HANDLE

[75] Inventor: **Dean R. Rohn, Cadillac, Mich.**

[73] Assignee: **Rexair, Inc., Troy, Mich.**

[**] Term: **14 Years**

[21] Appl. No.: **468,823**

[22] Filed: **Jan. 22, 1990**

[52] U.S. Cl. **D32/34**

[58] Field of Search **D32/22, 34; 15/143 R, 15/143 A, 144 R, 144 B, 145**

[56] References Cited

U.S. PATENT DOCUMENTS

D. 237,036	10/1975	Neceda	D32/31
D. 237,244	10/1975	Williams	D32/22
D. 277,325	1/1985	Hug	D32/22
D. 283,064	3/1986	Thomas et al. .	
D. 288,971	3/1987	Hohulin et al. .	
D. 303,173	8/1989	Miyamoto et al.	D32/22
D. 305,168	12/1989	Kroll	D32/22

FOREIGN PATENT DOCUMENTS

743622 9/1988 Japan .

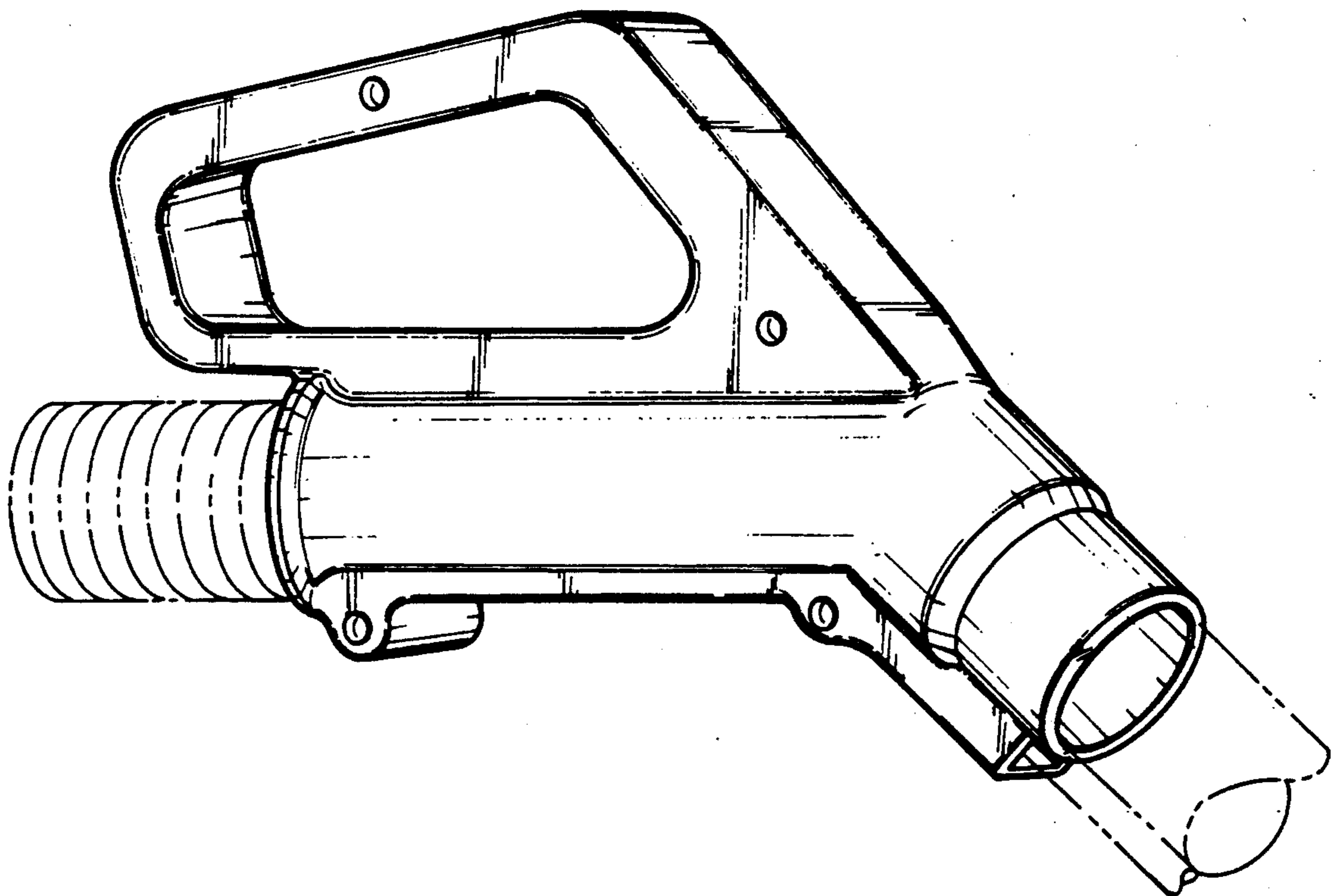
Primary Examiner—A. Hugo Word
Assistant Examiner—Ruth McInroy
Attorney, Agent, or Firm—Harness, Dickey & Pierce

[57] CLAIM

The ornamental design for a vacuum cleaner handle, as shown and described.

DESCRIPTION

FIG. 1 is a perspective view of a vacuum cleaner handle showing my new design, the vacuum hose and extension wand are shown in broken lines for illustrative purposes only and form no part of the claimed design; FIG. 2 is a rear elevational view thereof; FIG. 3 is a front elevational view thereof; FIG. 4 is a top plan view thereof; FIG. 5 is a bottom plan view thereof; FIG. 6 is a left side elevational view thereof; and, FIG. 7 is a right side elevational view thereof.



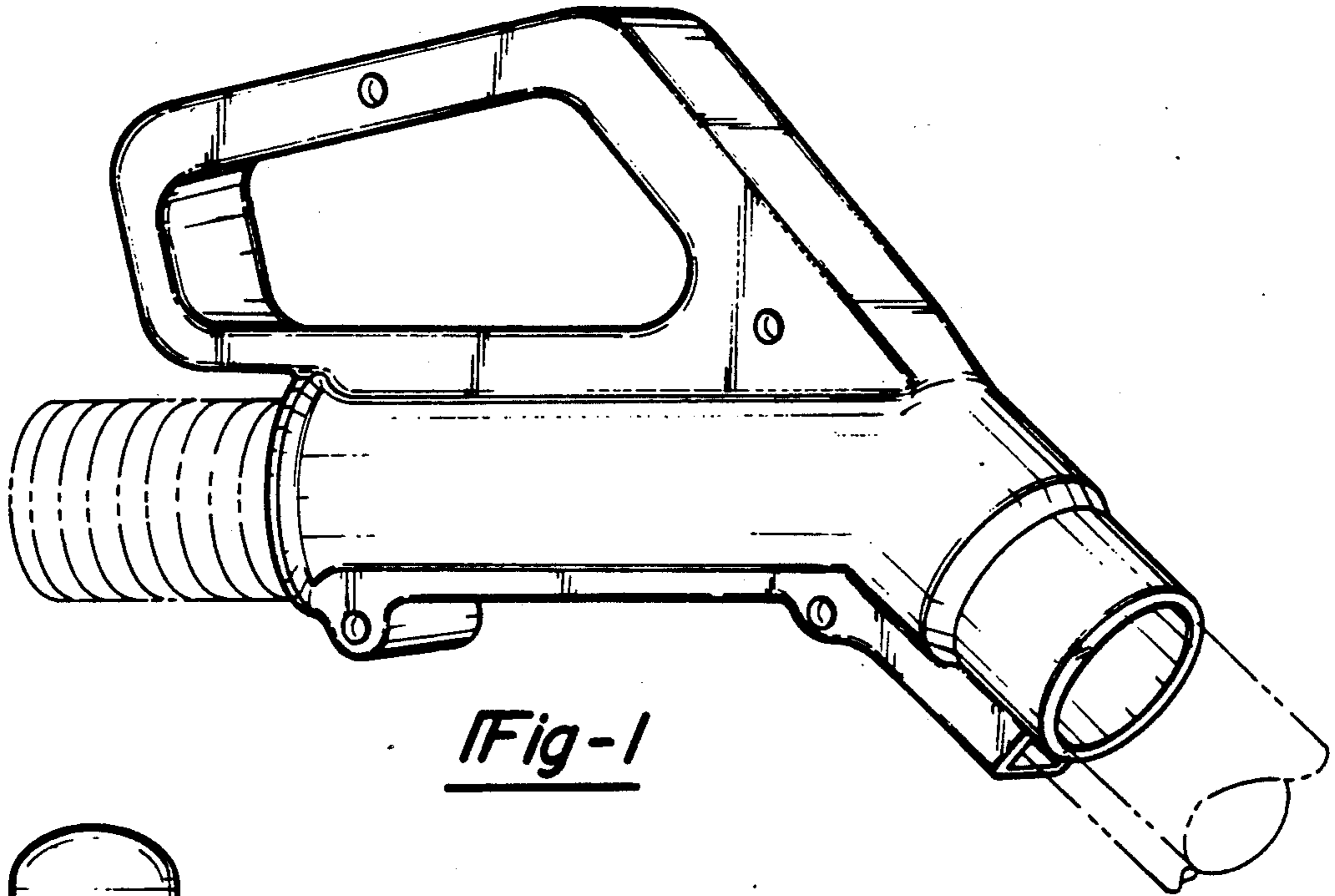


Fig-1

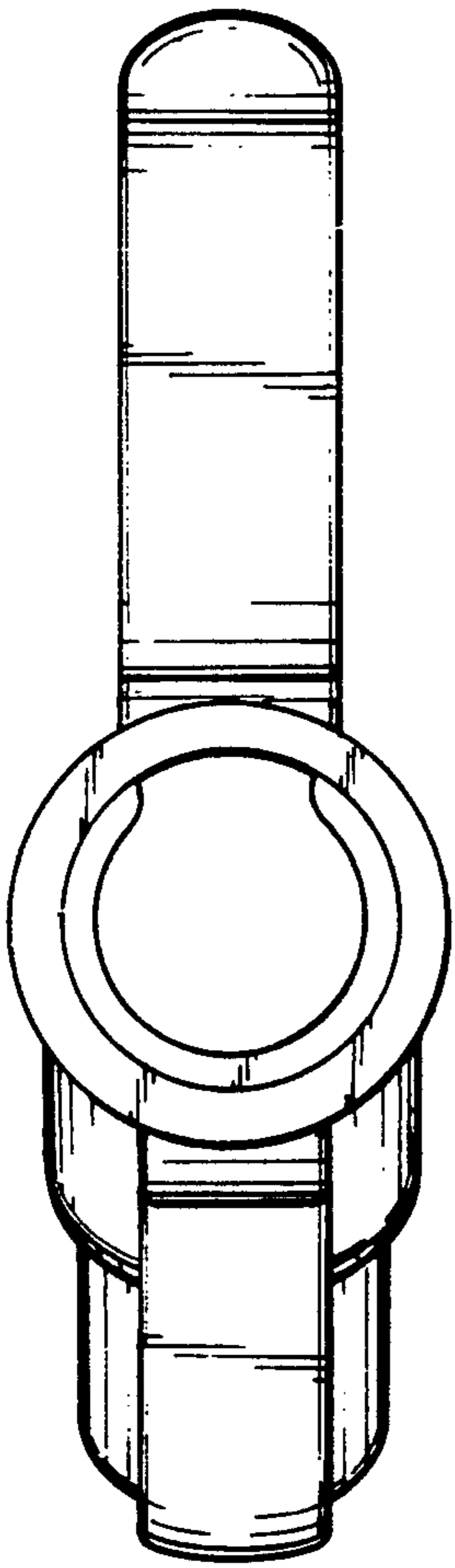


Fig-2

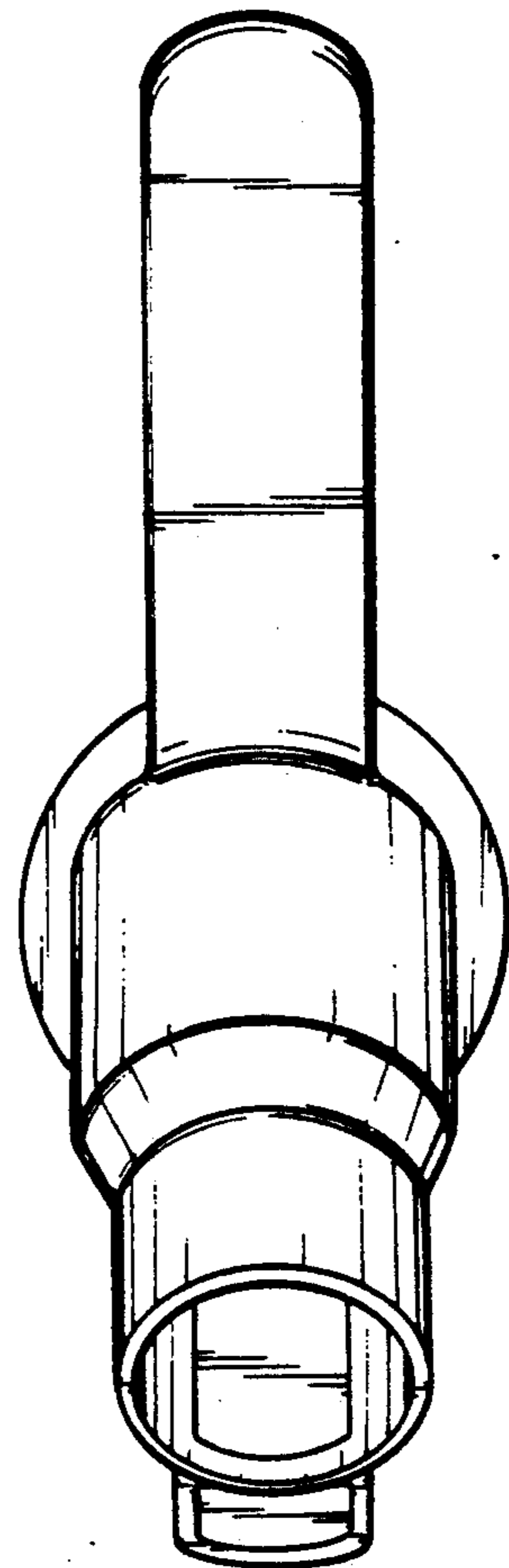


Fig-3

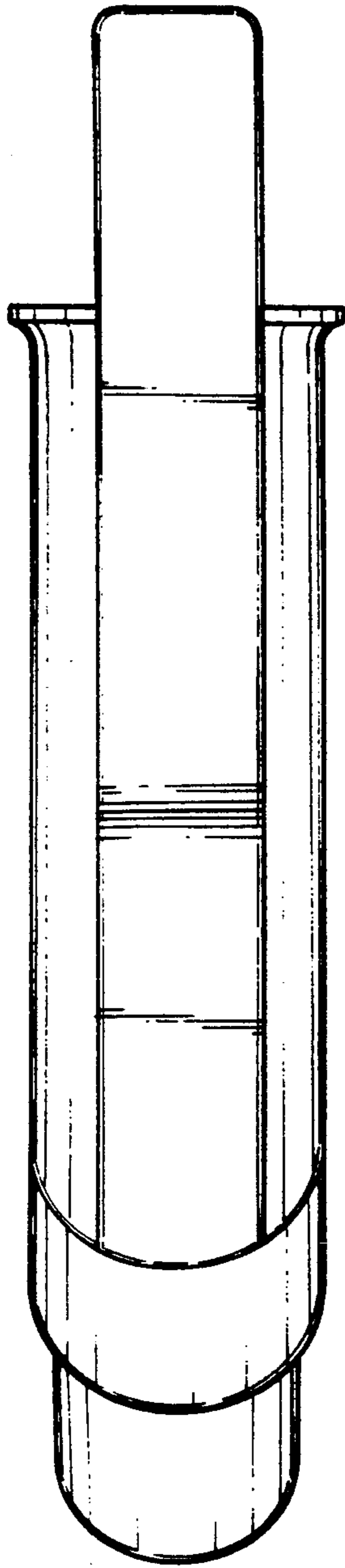


Fig-4

Fig-5

