



US00D334440S

United States Patent [19]

Goldner

[11] Patent Number: Des. 334,440

[45] Date of Patent: ** Mar. 30, 1993

[54] ADJUSTABLE LAMP

[76] Inventor: Ken Goldner, 145 E. 16 St., Apt. 2P, New York, N.Y. 10003

[**] Term: 14 Years

[21] Appl. No.: 745,084

[22] Filed: Aug. 6, 1991

[52] U.S. Cl. D26/65

[58] Field of Search D26/61-66;
362/269, 275, 410, 413, 418, 419, 427

[56] References Cited

U.S. PATENT DOCUMENTS

- D. 283,056 3/1986 Ansems D26/61
- D. 301,755 6/1989 Gismondi D26/63
- 4,807,125 2/1989 Miller 362/413 X

OTHER PUBLICATIONS

Architectural Supplements Incorp. Illustrated Dealer Net Costs Catalog, Jun. 1979, p. 51, Table Lamp 9245.

Primary Examiner—Susan J. Lucas

[57] CLAIM

The ornamental design for an adjustable lamp, as shown and described.

DESCRIPTION

FIG. 1 is a left side elevational view of an adjustable lamp showing my new design, the right side elevational view being a mirror image of FIG. 1;

FIG. 2 is a rear elevational view thereof;

FIG. 3 is a front elevational view thereof;

FIG. 4 is a top plan view thereof;

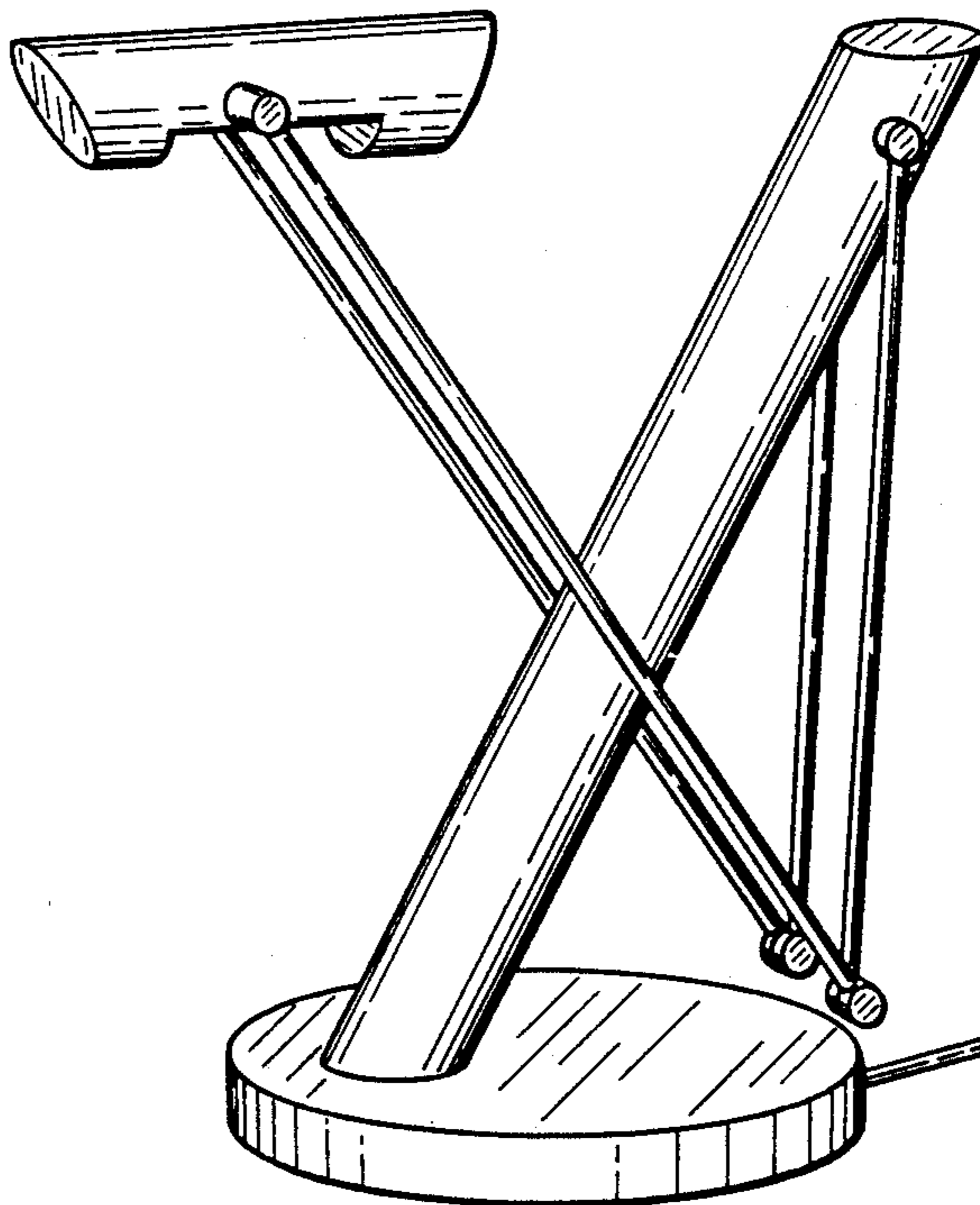
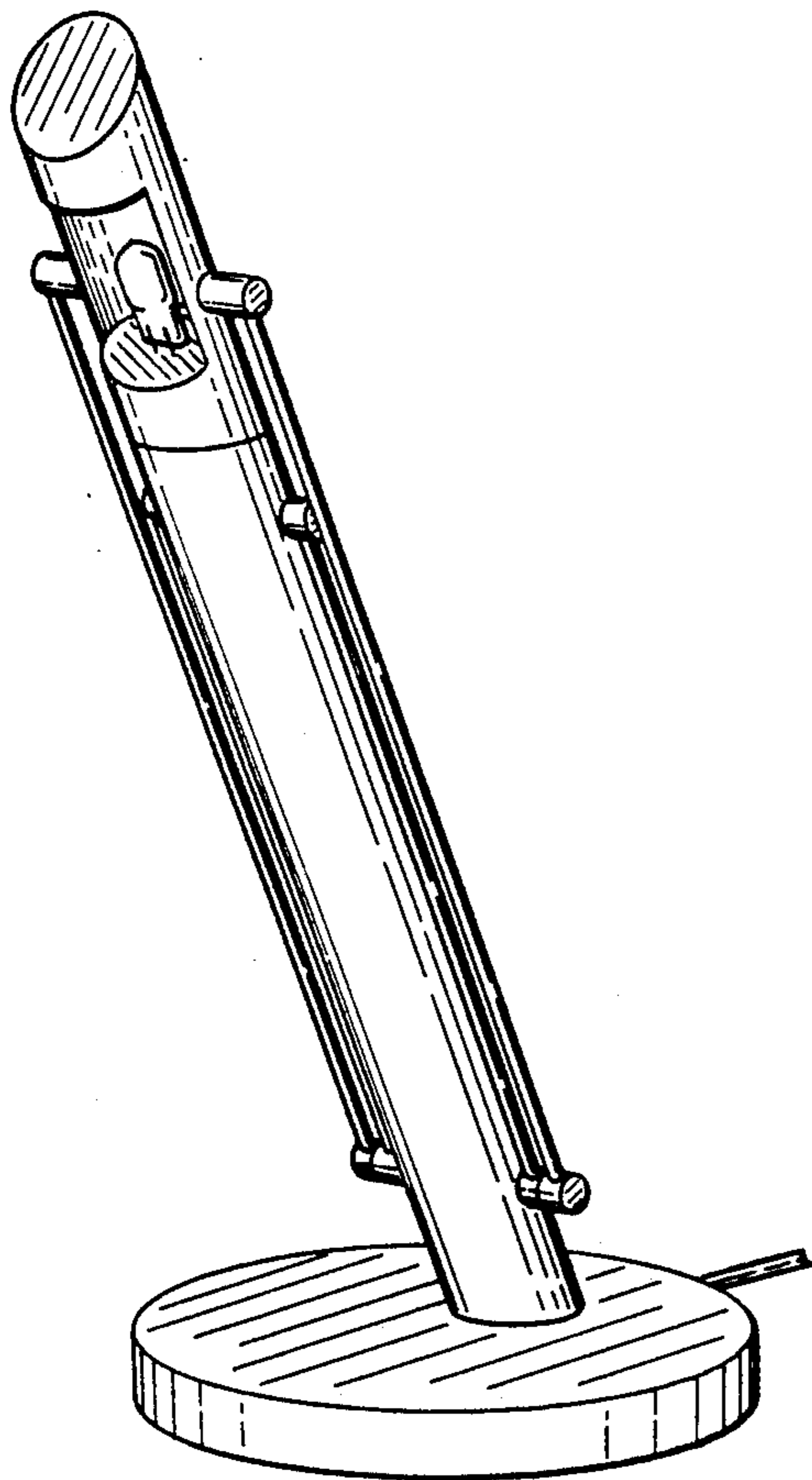
FIG. 5 is a bottom plan view thereof;

FIG. 6 is a left-front perspective view thereof with the lamp arms in pivotally moved positions and the lamp head touching the lamp body;

FIG. 7 is a right-rear perspective view thereof with the lamp arms in other pivotally moved positions, the lamp head in a pivotally moved position and the lamp cord in a moved position so that it exits the front of the lamp base;

FIG. 8 is a right-rear perspective view thereof with the lamp arms and lamp head in other pivotally moved positions; and,

FIG. 9 is a left side perspective view thereof with the lamp arms and lamp head in other pivotally moved positions.



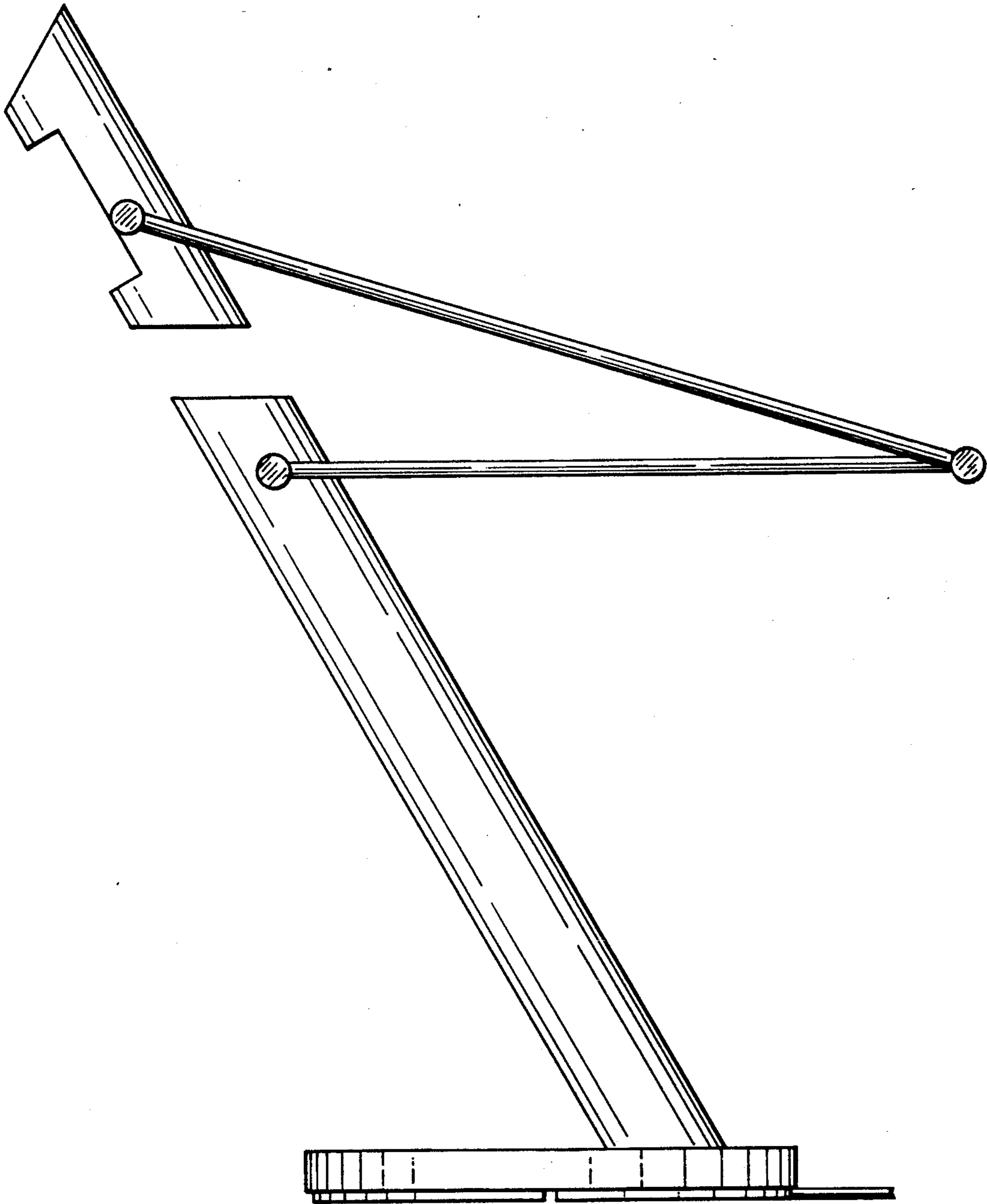


FIG. 1

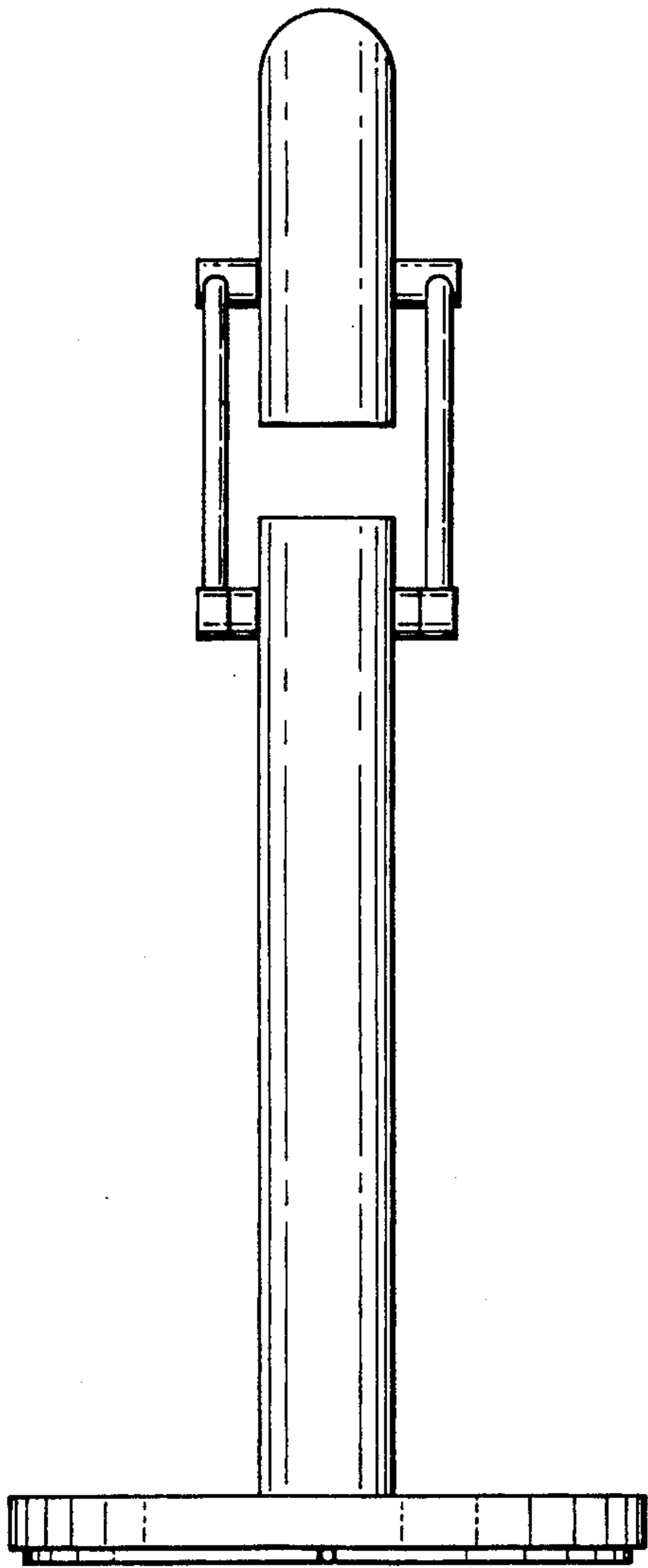


FIG. 2

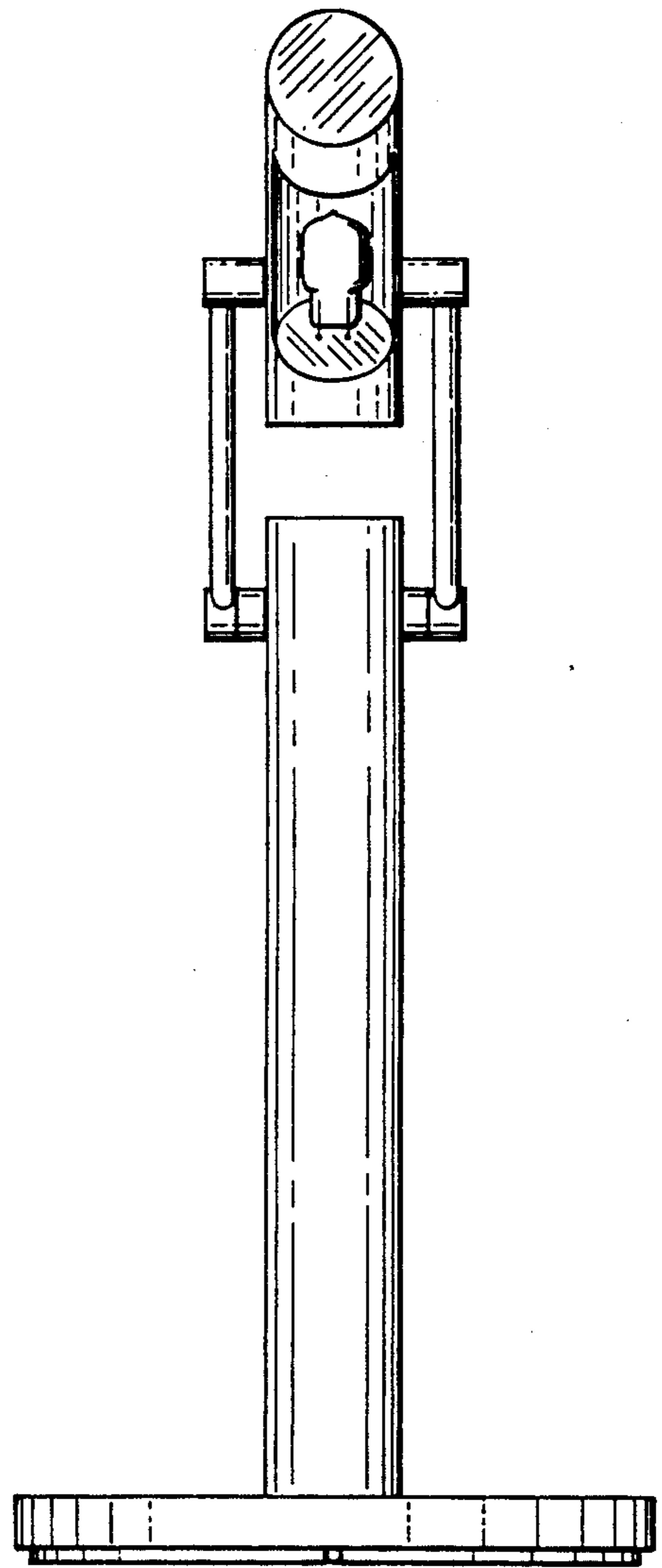


FIG. 3

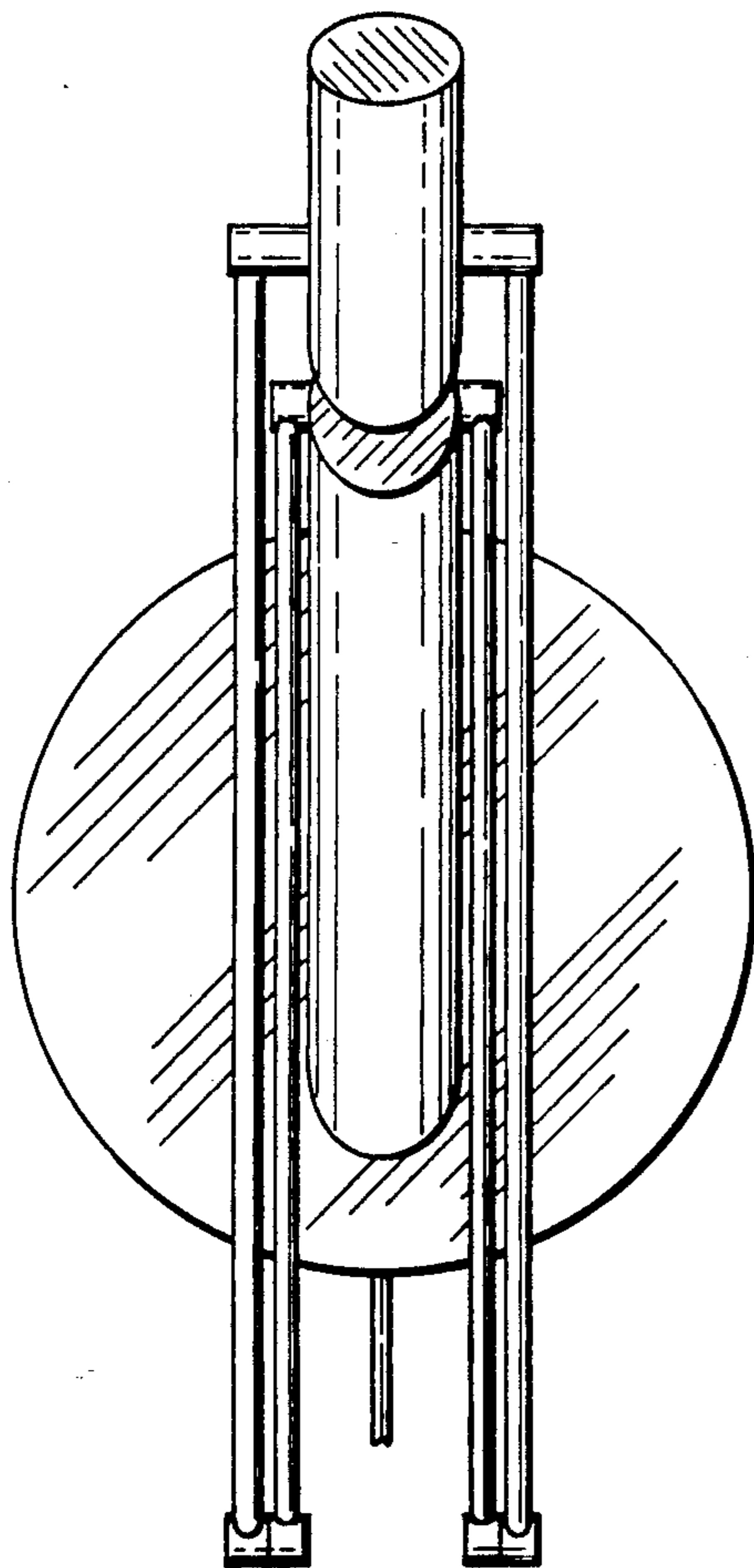


FIG. 4

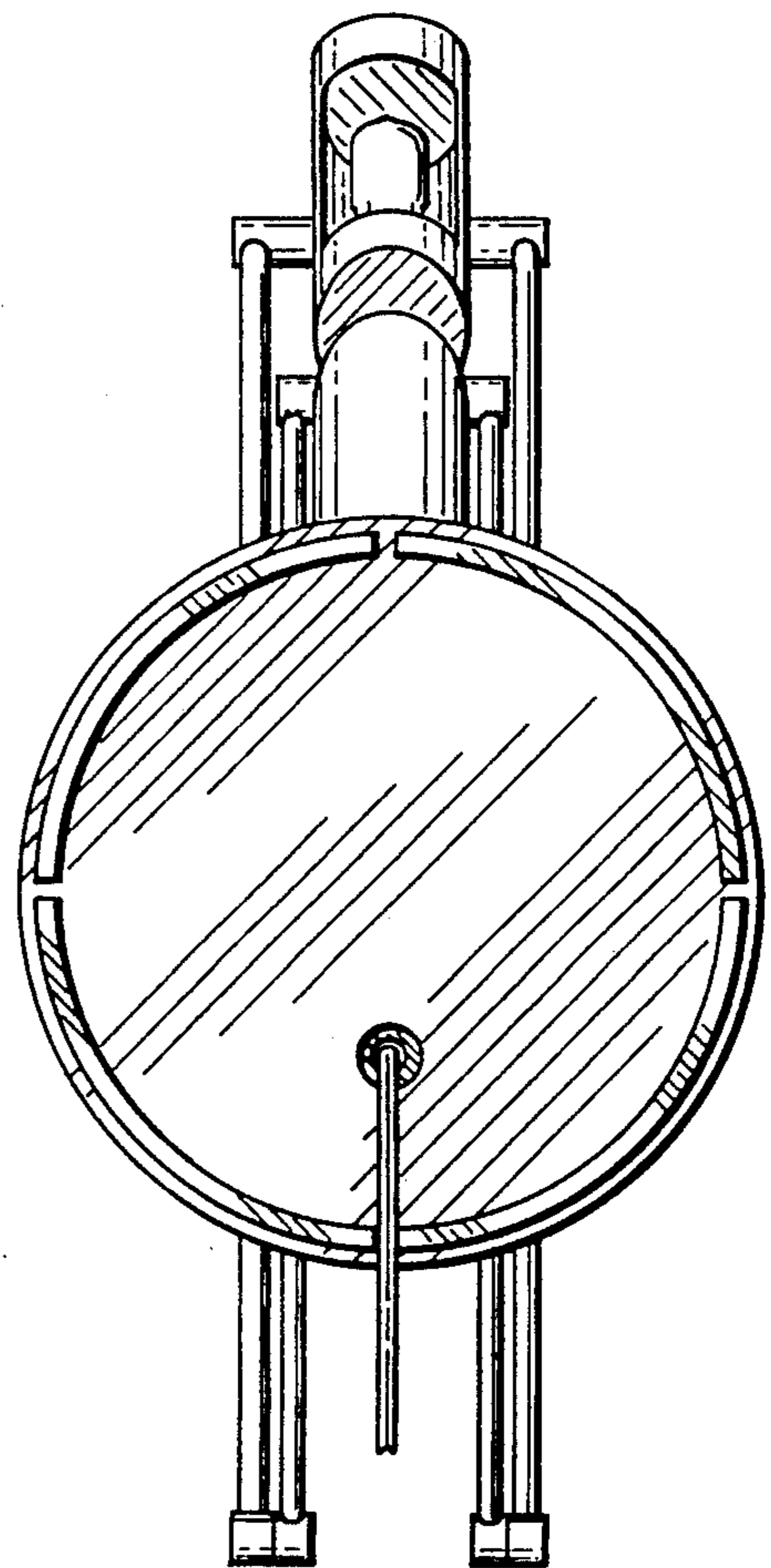


FIG. 5

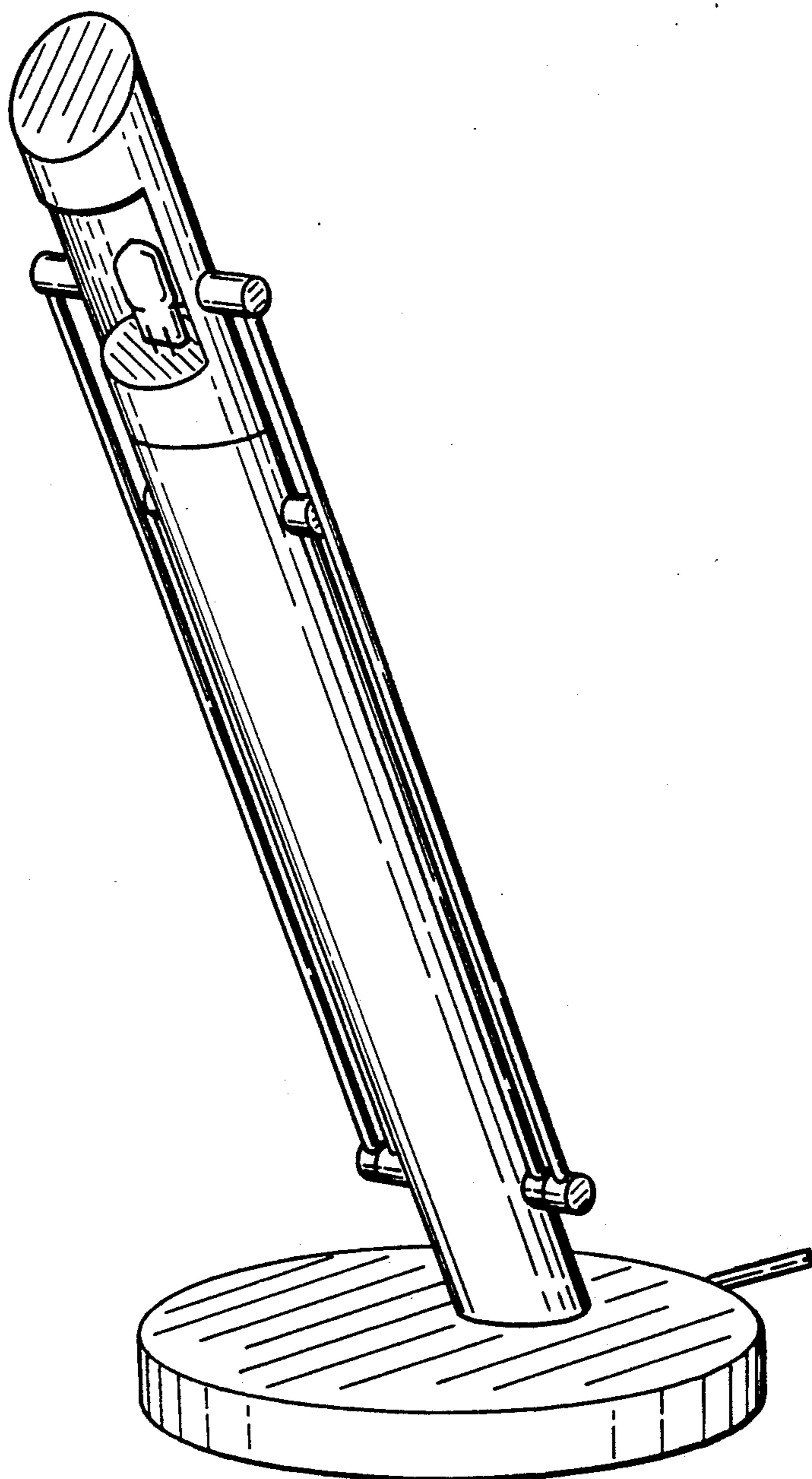


FIG. 6

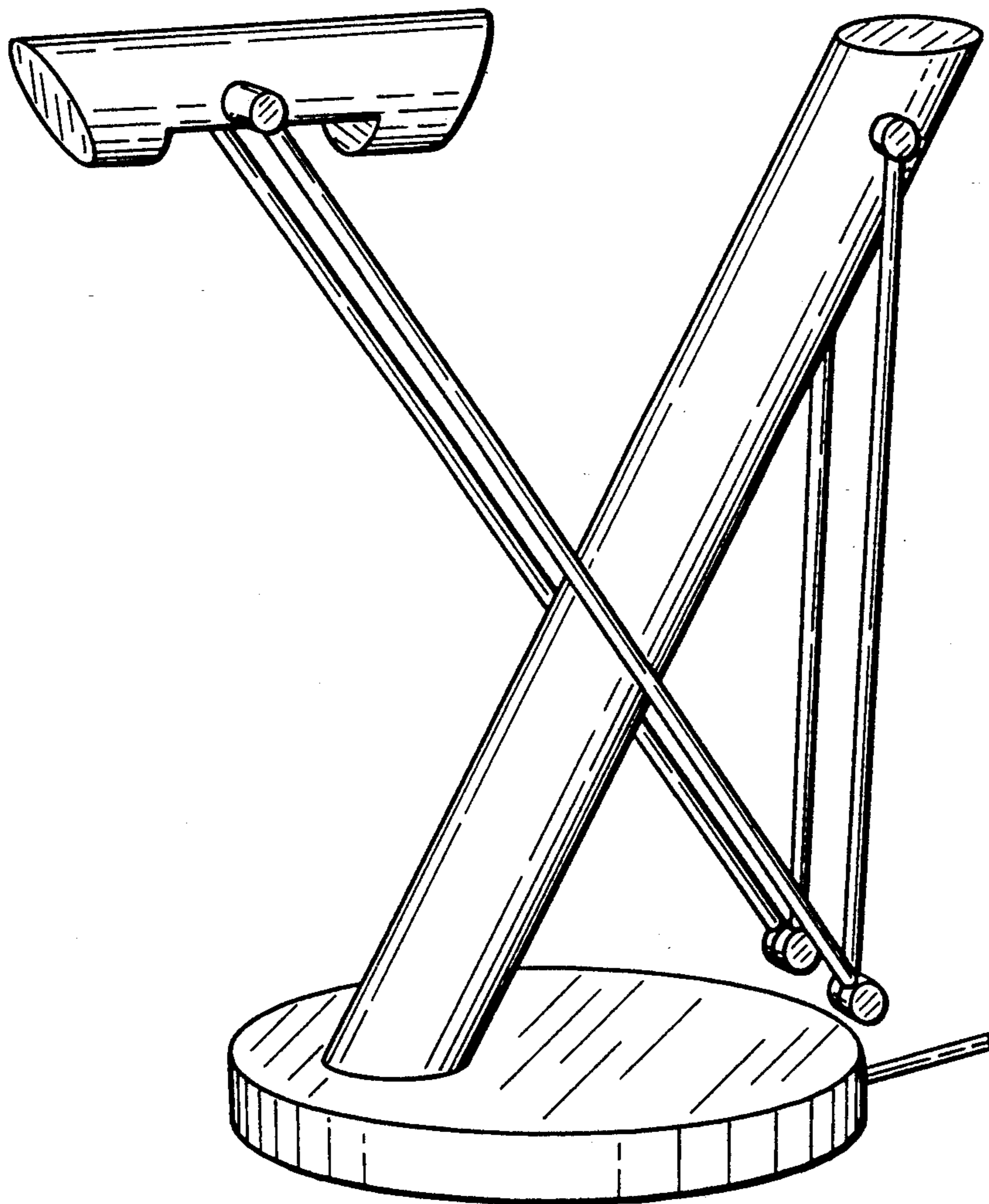


FIG. 7

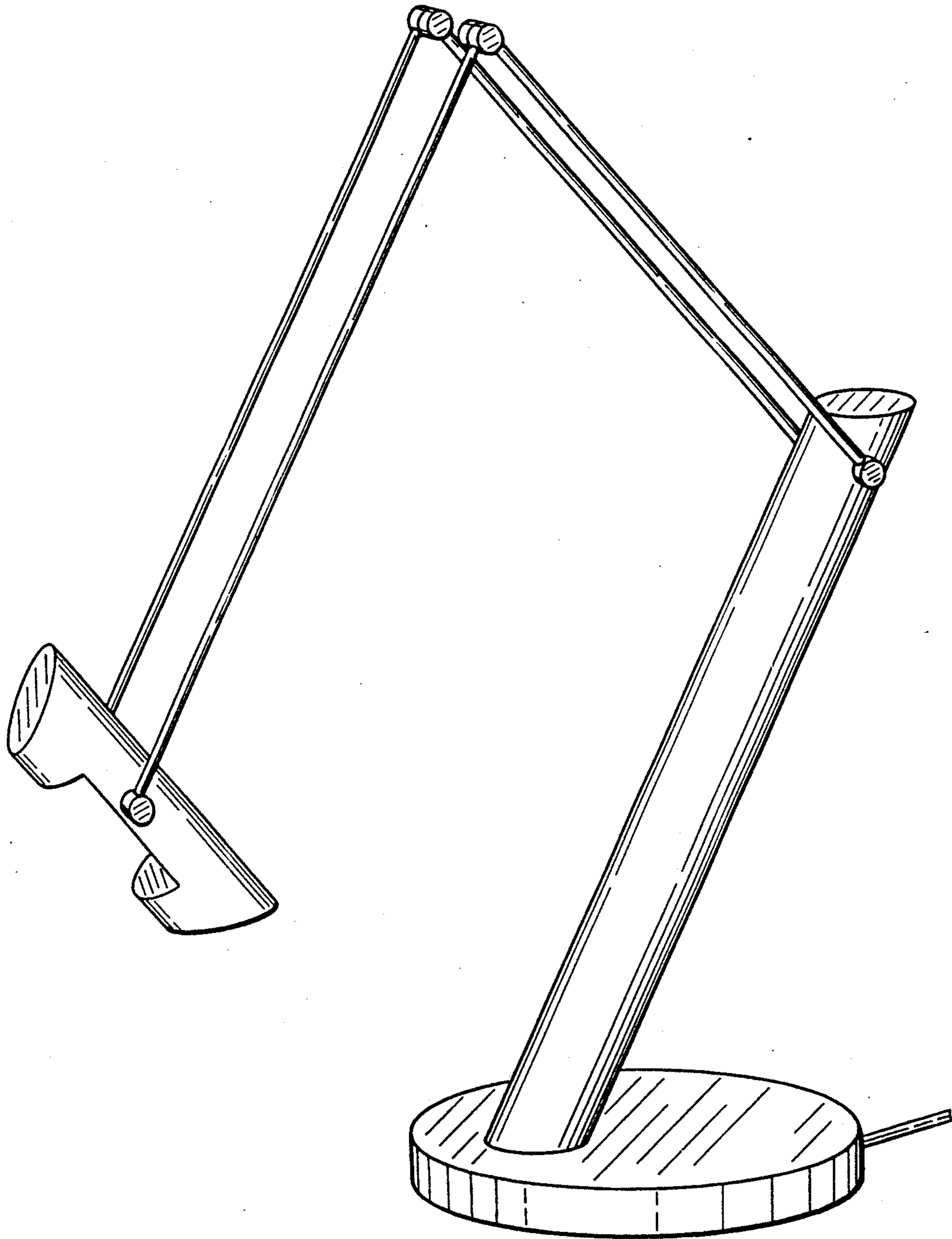


FIG. 8

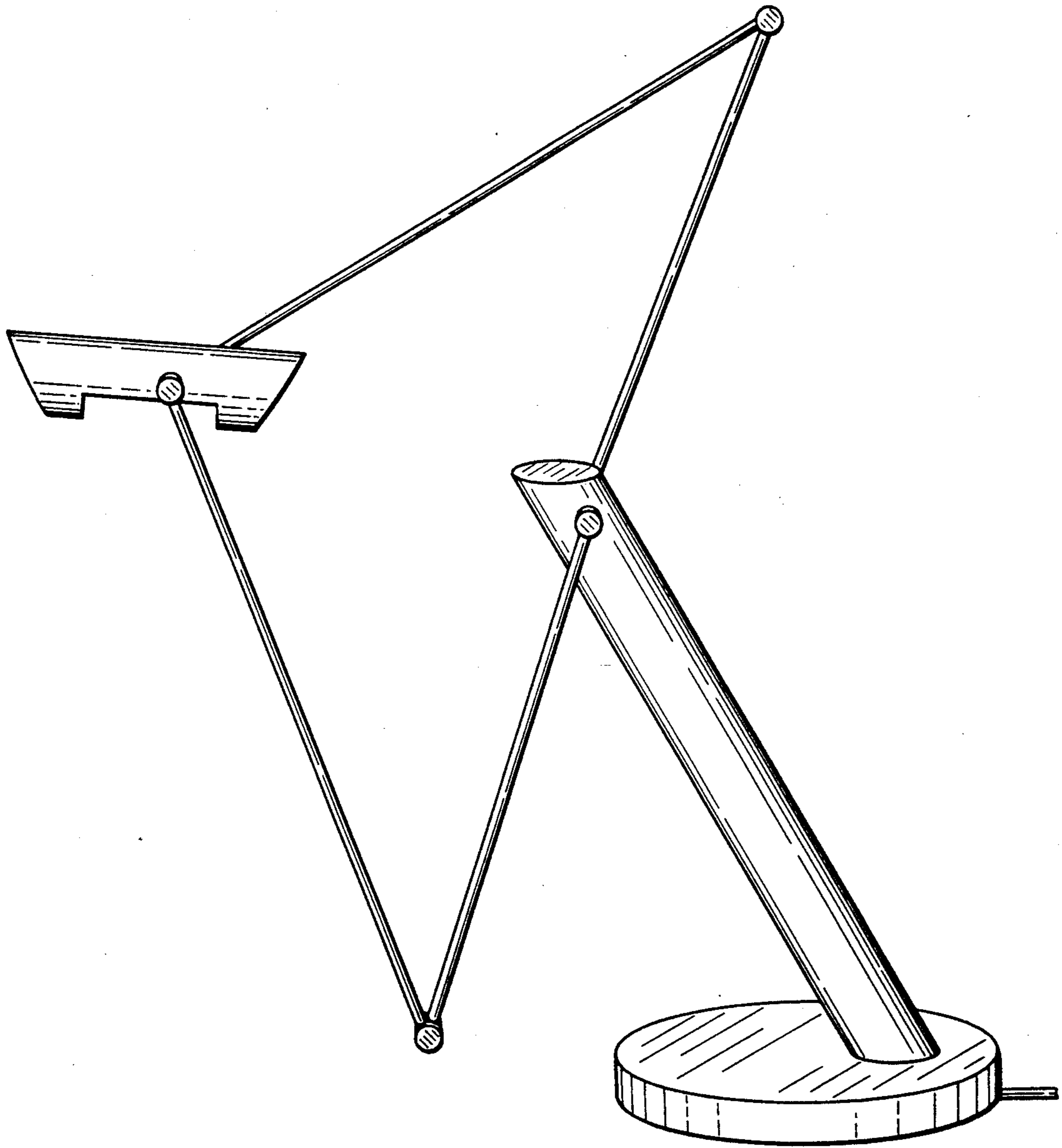


FIG. 9