



US00D334439S

United States Patent [19]

[11] Patent Number: **Des. 334,439**

Meyer et al.

[45] Date of Patent: **** Mar. 30, 1993**

[54] ARTICULATED ARM FOR A TASK LIGHT

[75] Inventors: **Carl X. Meyer, Grantwood Village; Louis O. Vitt, St. Louis; David P. Burchell, Valley Park; James A. Schmid, St. Louis, all of Mo.**

[73] Assignee: **Dazor Manufacturing Corporation, St. Louis, Mo.**

[**] Term: **14 Years**

[21] Appl. No.: **596,842**

[22] Filed: **Oct. 12, 1990**

[52] U.S. Cl. **D26/65; D26/140**

[58] Field of Search **D26/60-66, D26/138, 140; 362/269, 275, 285, 413, 418, 419, 427; 248/280.1, 281.1, 282, 289.1, 284**

[56] References Cited

U.S. PATENT DOCUMENTS

3,820,752	6/1974	Oram	362/427 X
4,080,530	3/1978	Krogstad	362/427 X
4,770,384	9/1988	Kuwazima et al.	362/413 X

OTHER PUBLICATIONS

Luxo ® Adjustable Task Light Catalog, 1983, Adjustable Lamp, front cover.

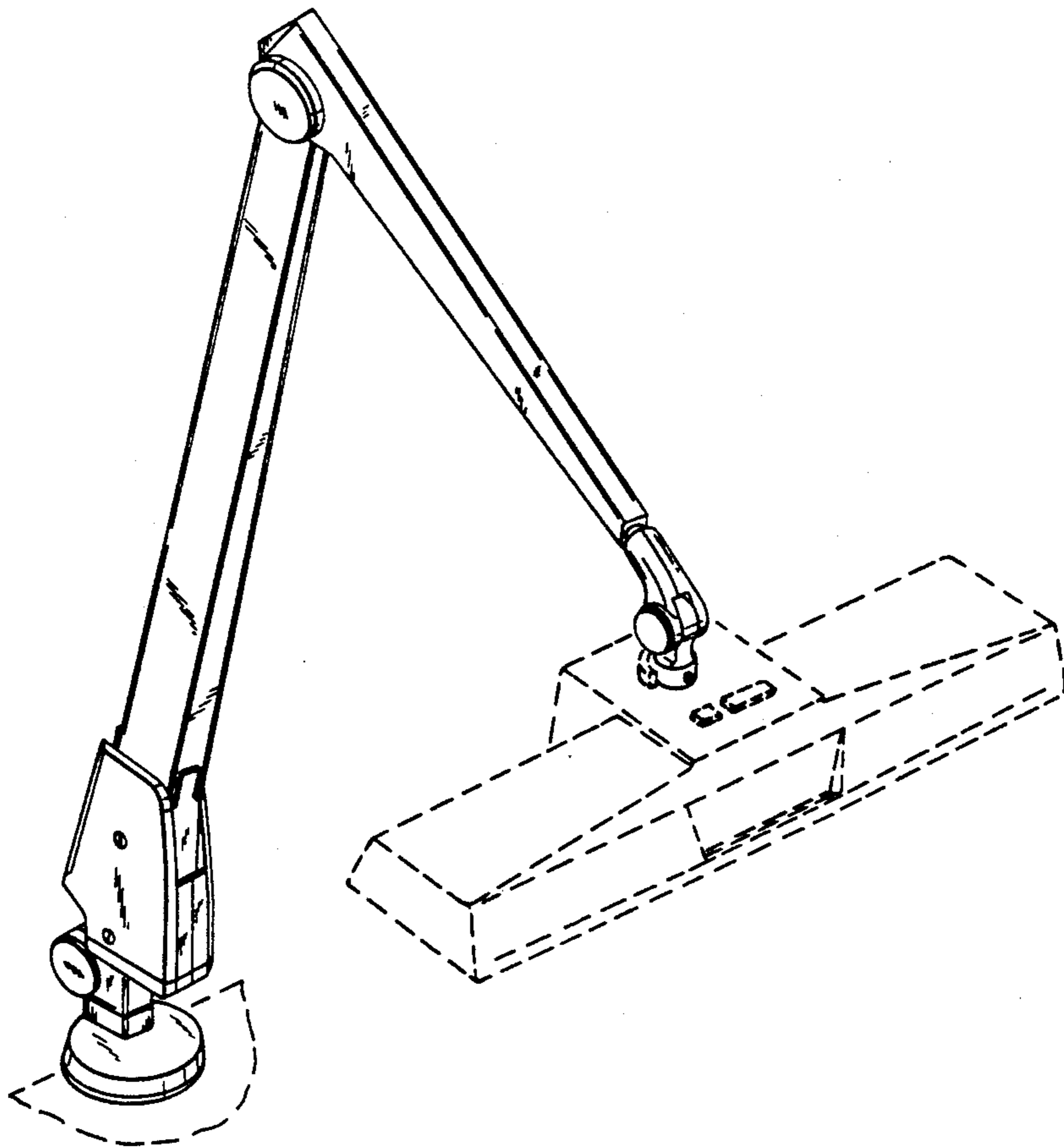
Primary Examiner—Susan J. Lucas
Attorney, Agent, or Firm—Cohn, Powell & Hind

[57] CLAIM

The ornamental design for an articulated arm for a task light, as shown and described.

DESCRIPTION

FIG. 1 is a front, left side perspective view of an articulated arm for a task light showing our new design; FIG. 2 is a top plan view thereof on a reduced scale; FIG. 3 is a front elevational view thereof on a reduced scale; FIG. 4 is a rear elevational view thereof on a reduced scale; FIG. 5 is a left side elevational view thereof relative to the front of the arm on a reduced scale; FIG. 6 is a right side elevational view thereof relative to the front of the arm on a reduced scale; and, FIG. 7 is a bottom plan view thereof on a reduced scale. The task light head, table, and mounting clamps are shown in broken lines for illustrative purposes only and form no part of the claimed design.



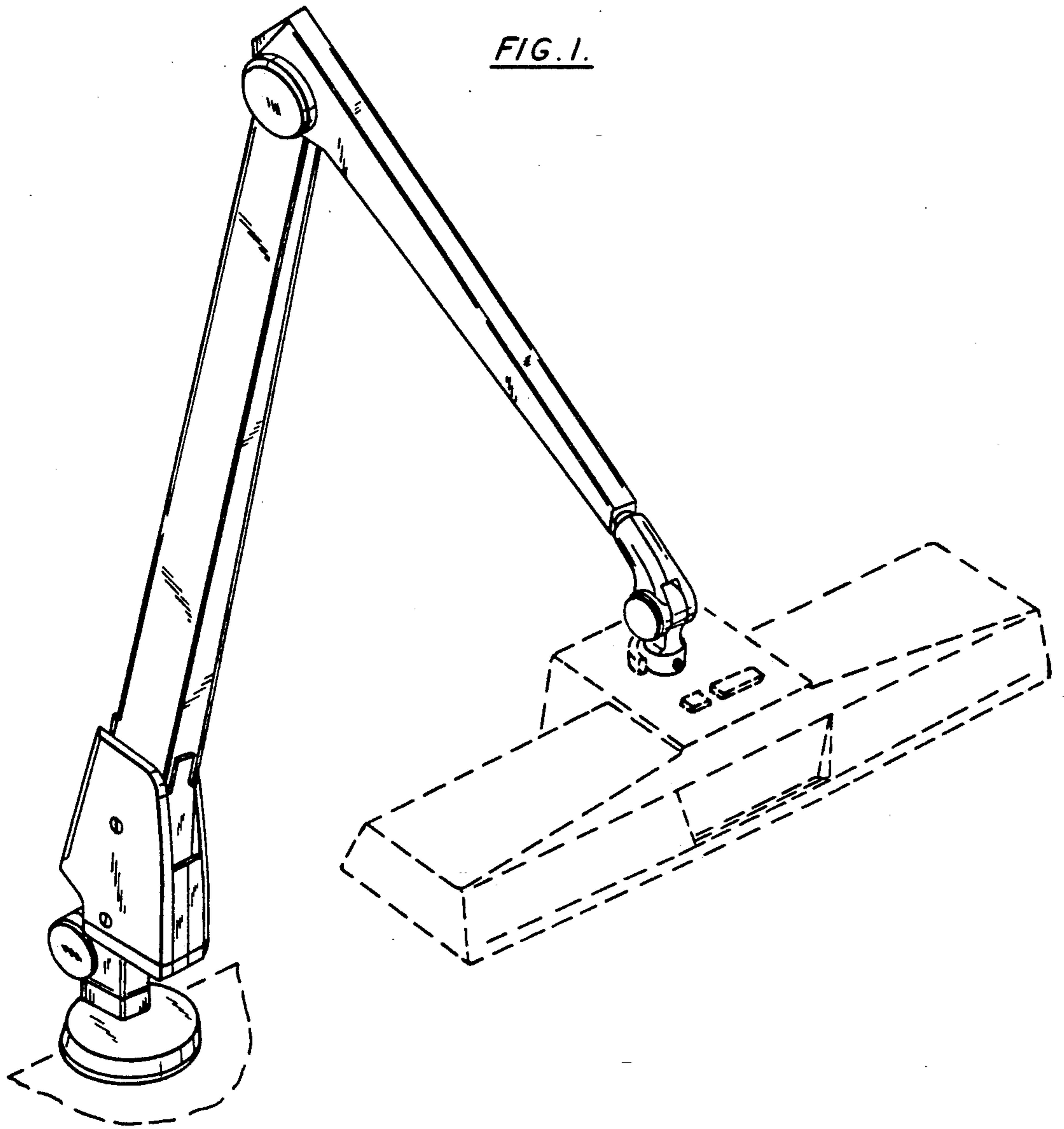


FIG. 2.

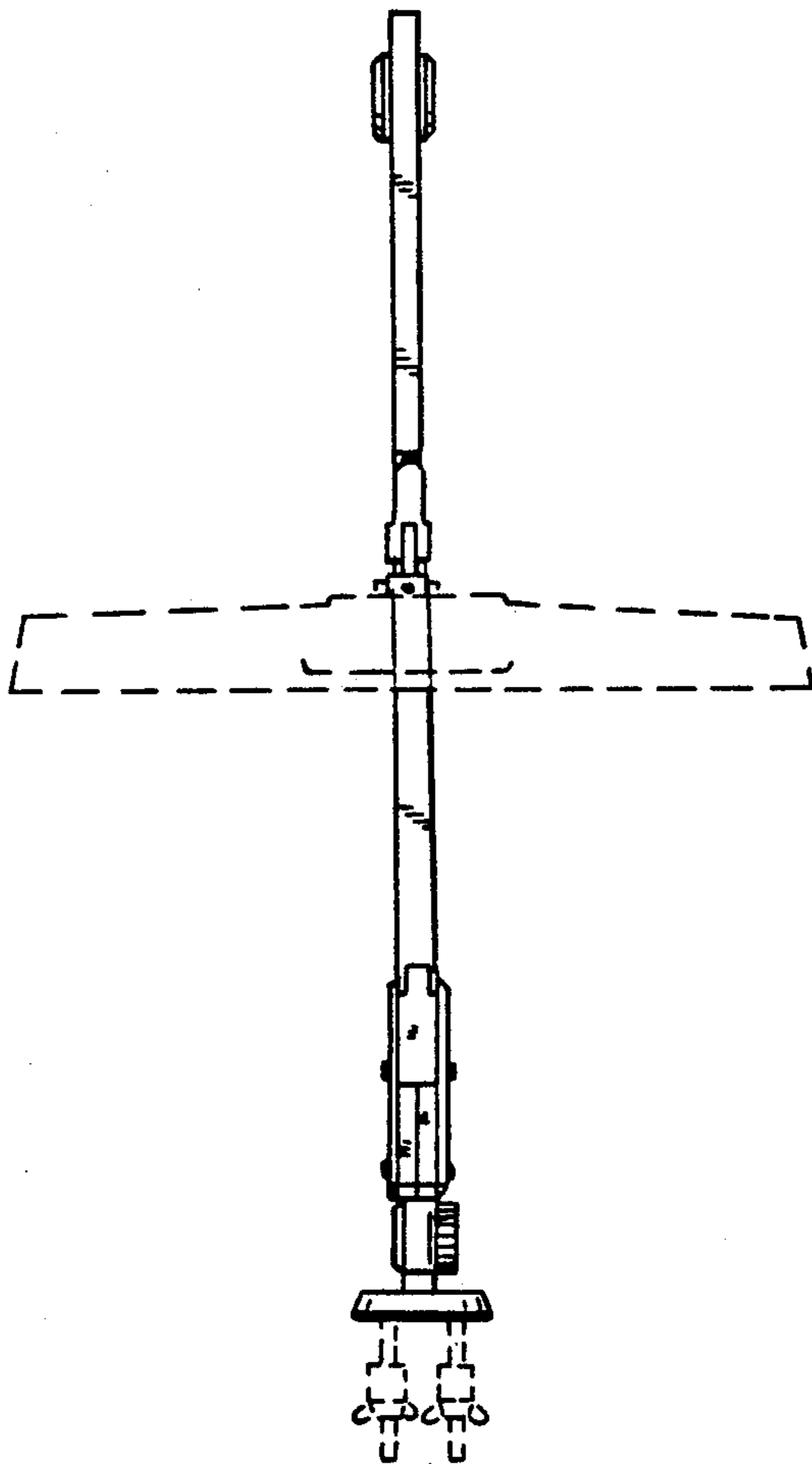
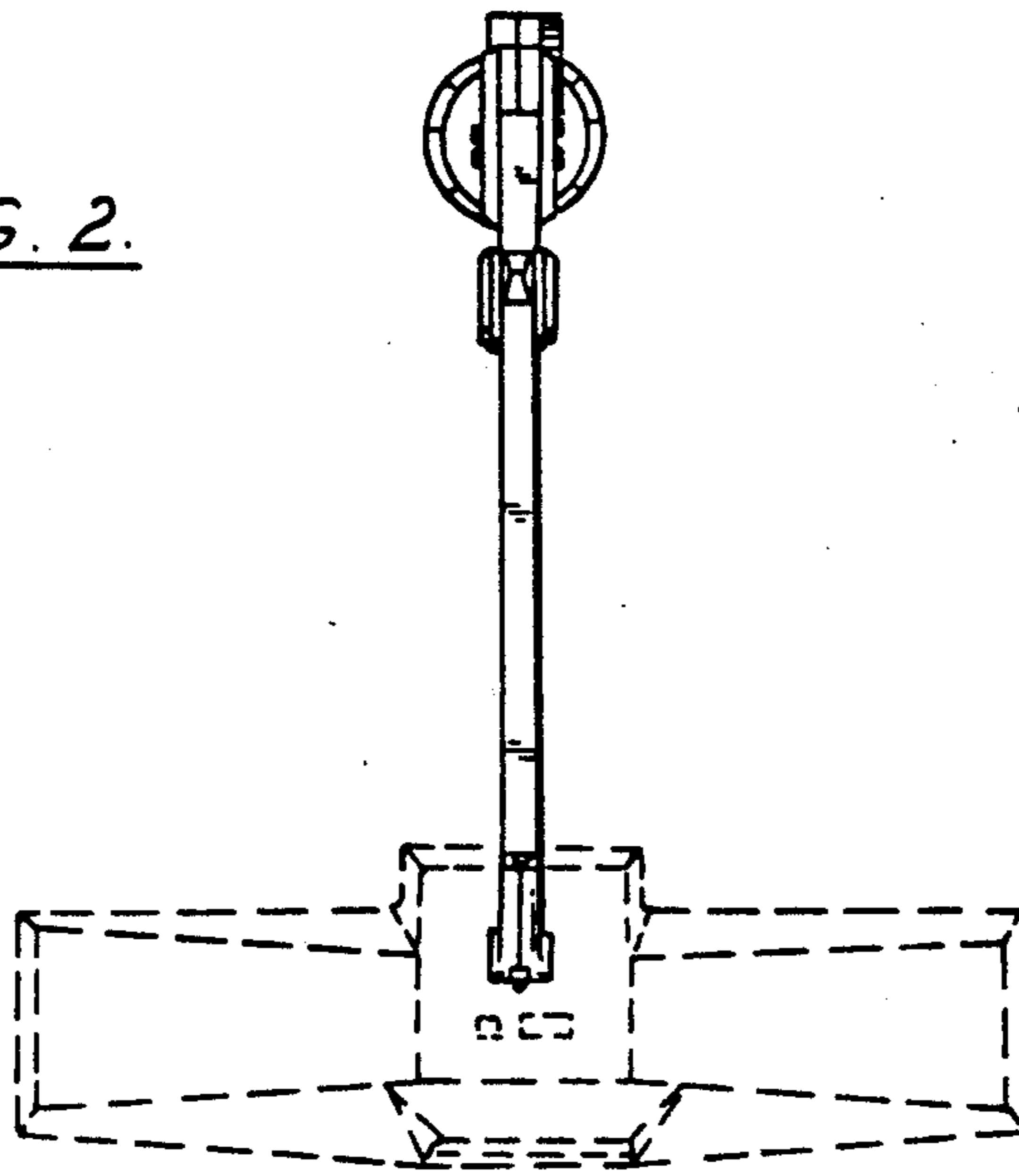


FIG. 3.

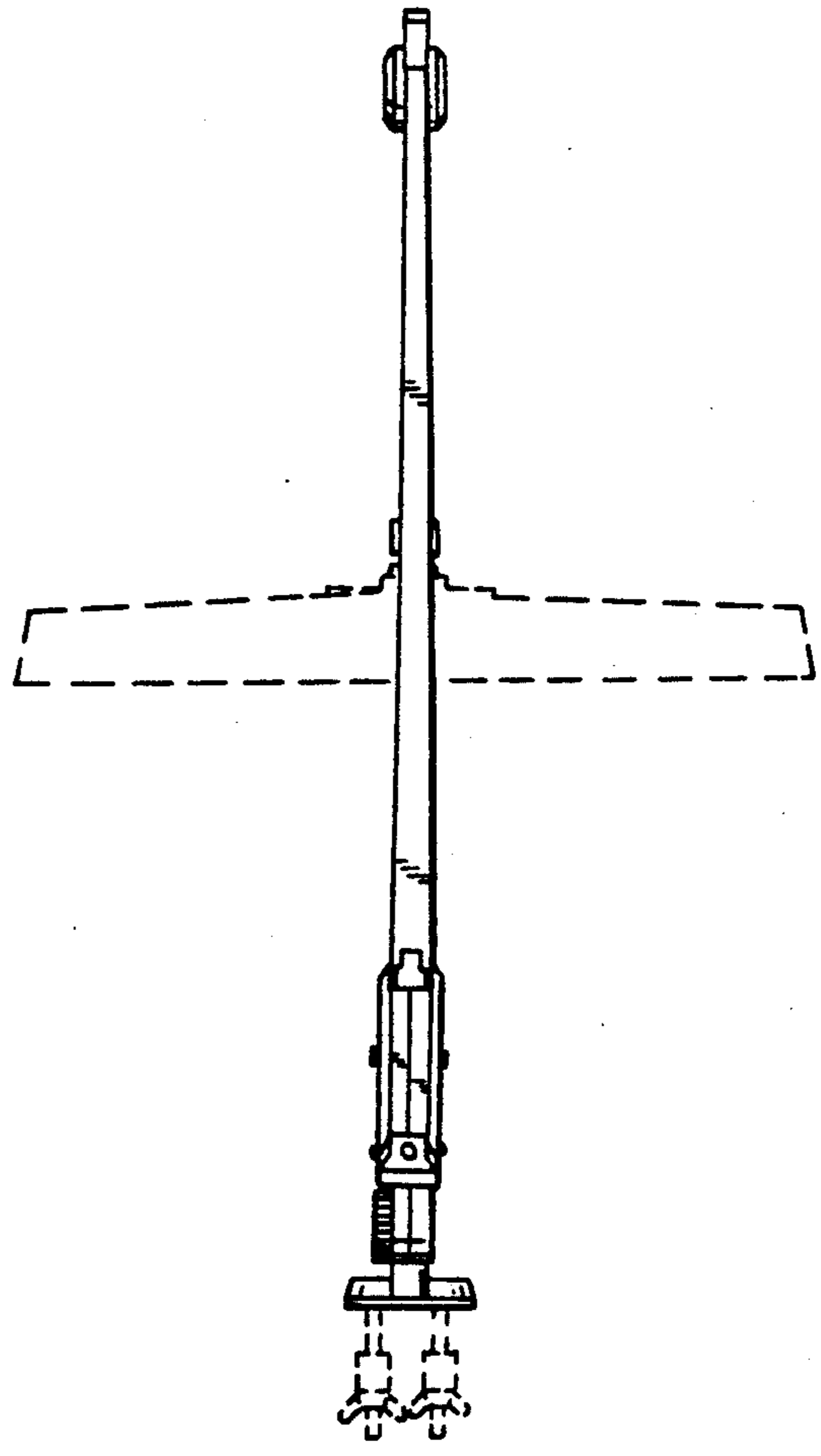


FIG. 4.

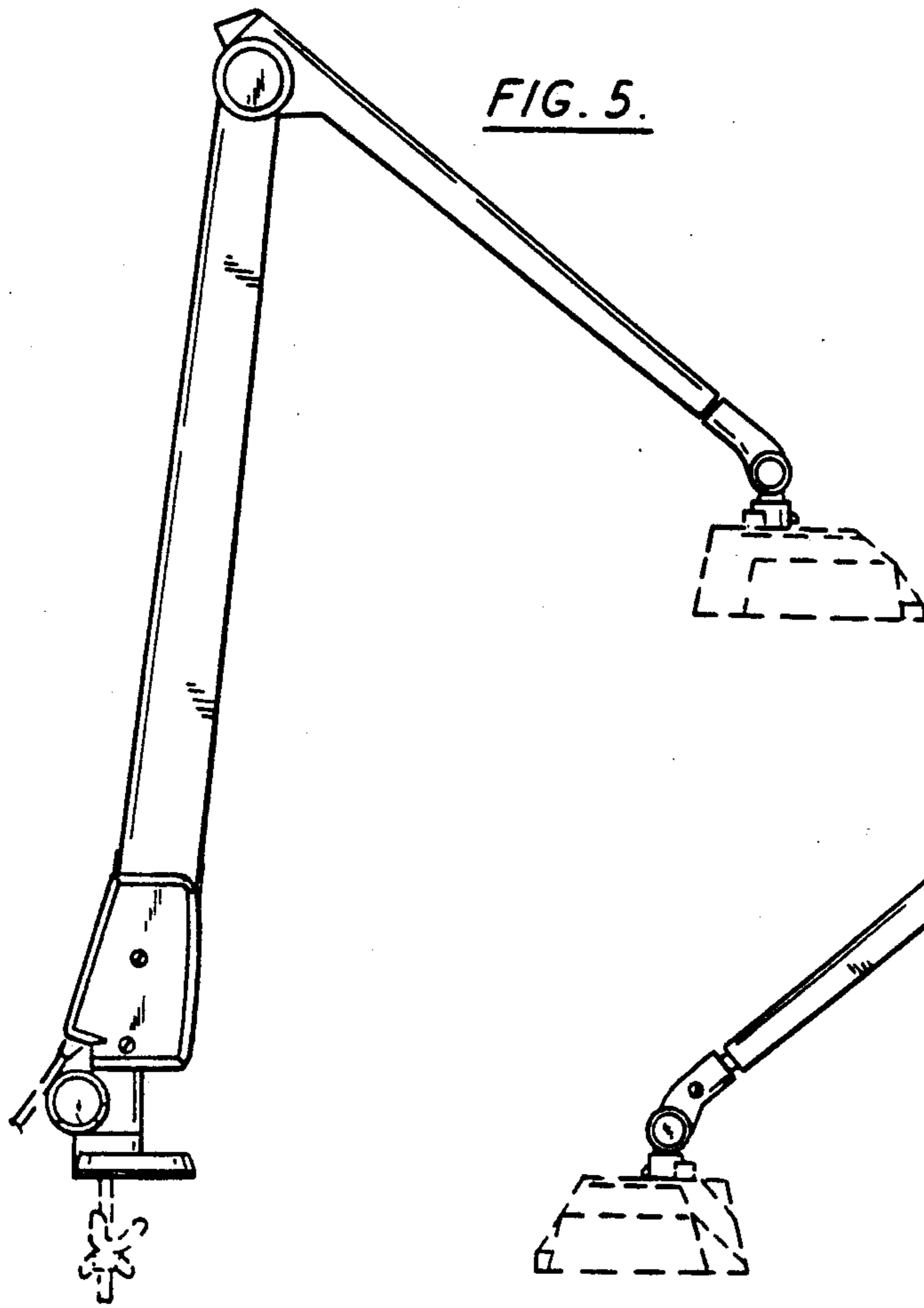


FIG. 5.

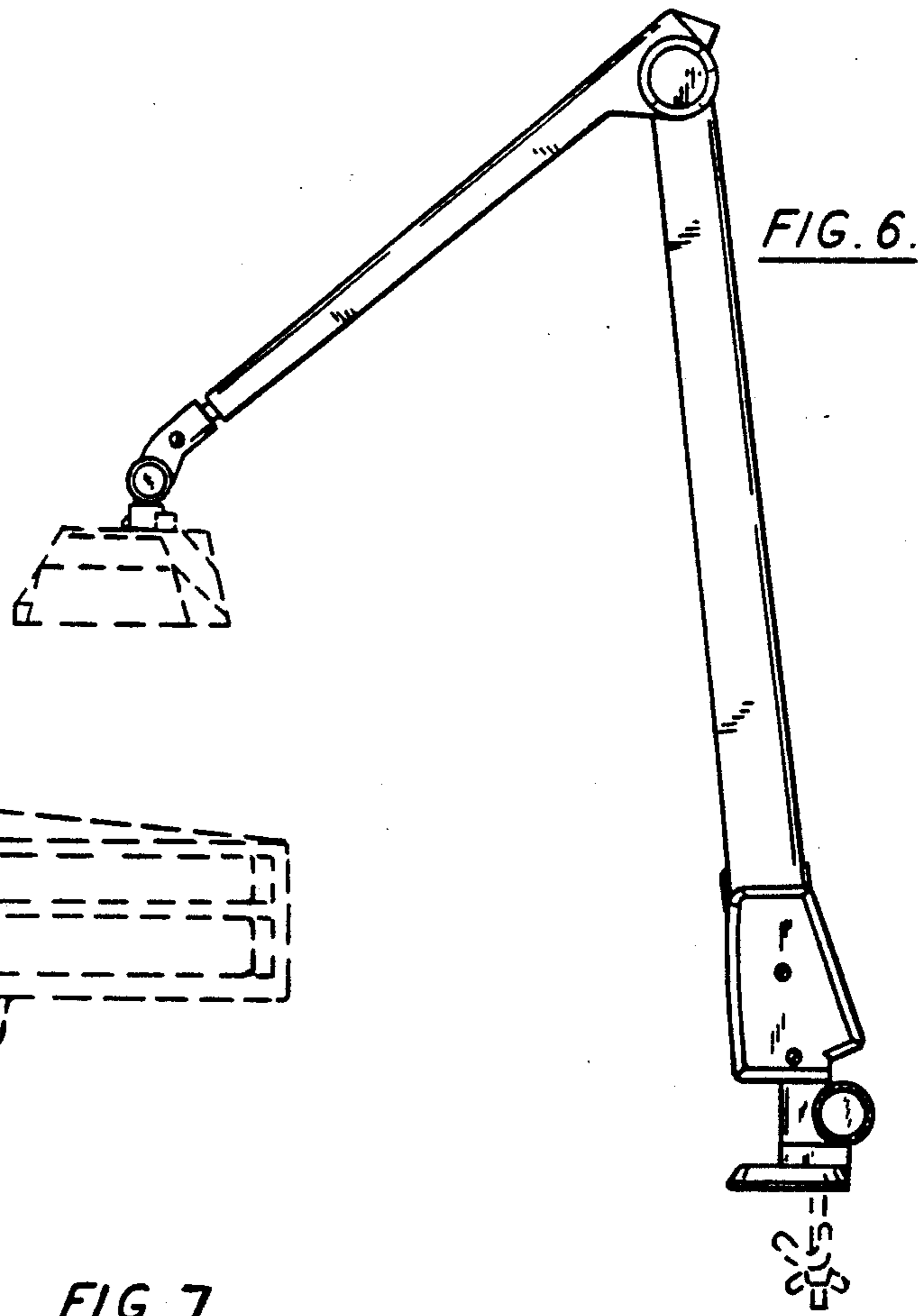


FIG. 6.

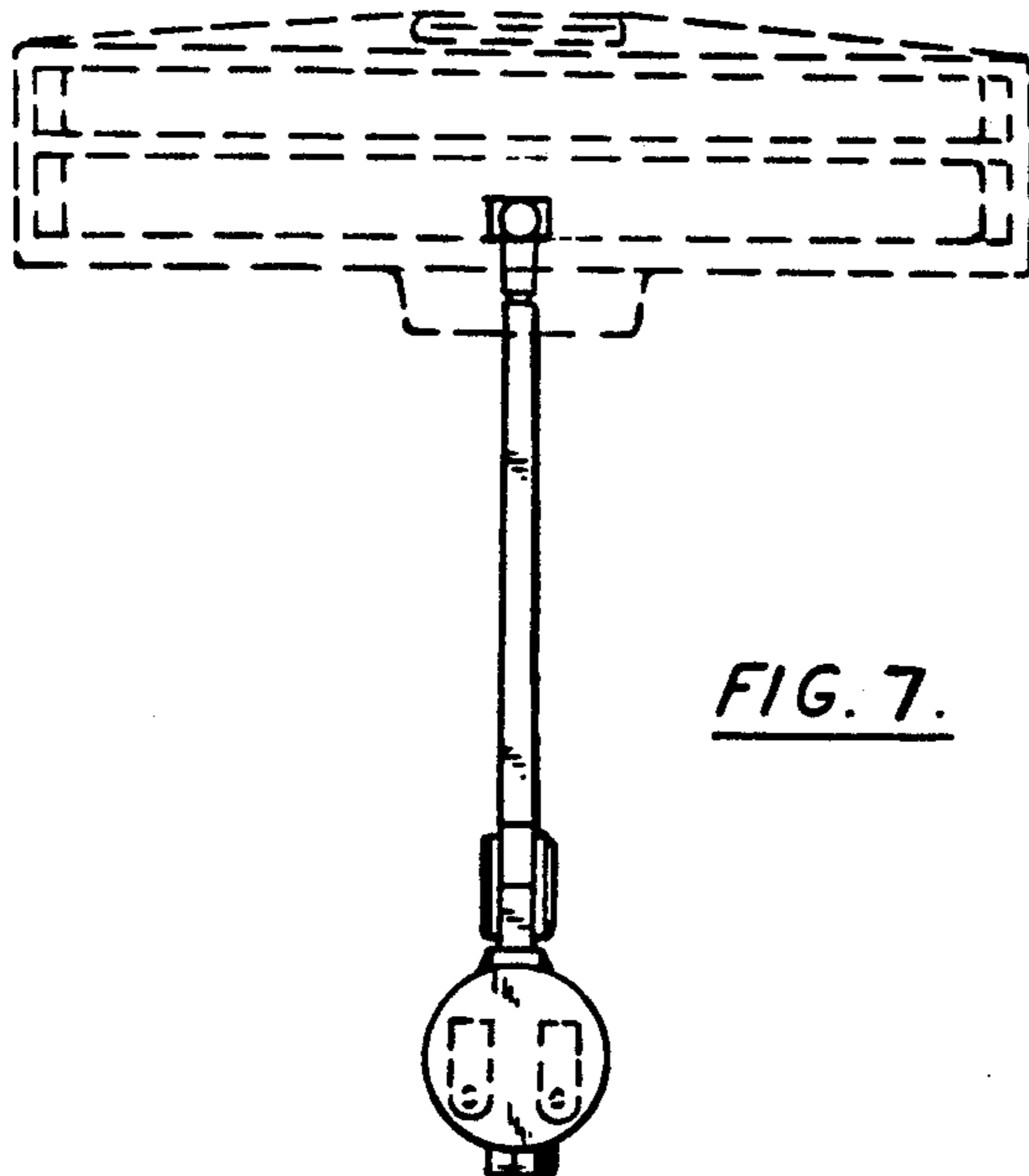


FIG. 7.