



US00D334438S

United States Patent [19]

[11] Patent Number: **Des. 334,438**

Kua

[45] Date of Patent: **** Mar. 30, 1993**

[54] ADJUSTABLE TABLE LAMP

[75] Inventor: **Long-Far Kua, Taipei, Taiwan**

[73] Assignee: **Steve Chen, Taipei, Taiwan**

[**] Term: **14 Years**

[21] Appl. No.: **695,762**

[22] Filed: **May 6, 1991**

[52] U.S. Cl. **D26/63**

[58] Field of Search **D26/60-66,**
D26/51; 362/413, 418, 419, 427, 428, 401, 402,
269, 275, 287

[56] References Cited

U.S. PATENT DOCUMENTS

- D. 314,836 2/1991 Sonneman D26/62 X
- D. 327,134 6/1992 Ching D26/65

OTHER PUBLICATIONS

Home Lighting & Accessories, Apr. 1976, p. 28, Amity Desk Lamp.

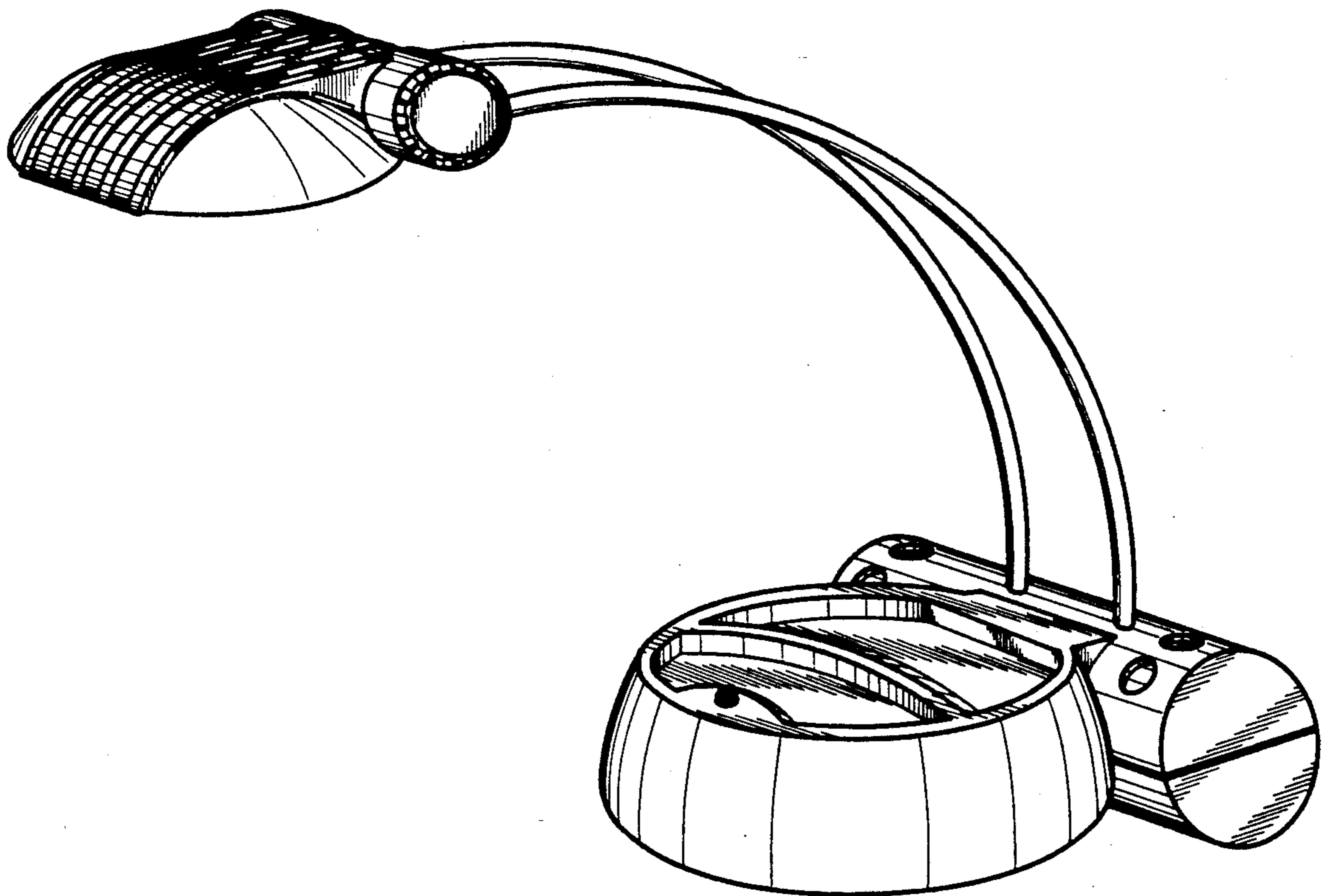
Primary Examiner—Susan J. Lucas
Attorney, Agent, or Firm—Harrison & Egbert

[57] CLAIM

The ornamental design for an adjustable table lamp, as shown and described.

DESCRIPTION

FIG. 1 is a front perspective view of an adjustable table lamp showing my new design;
 FIG. 2 is a front elevational view thereof on an enlarged scale;
 FIG. 3 is a right side elevational view thereof on an enlarged scale, the left side being a mirror image;
 FIG. 4 is a top plan view thereof on an enlarged scale;
 FIG. 5 is a rear elevational view thereof on an enlarged scale; and,
 FIG. 6 is a bottom plan view thereof on an enlarged scale.



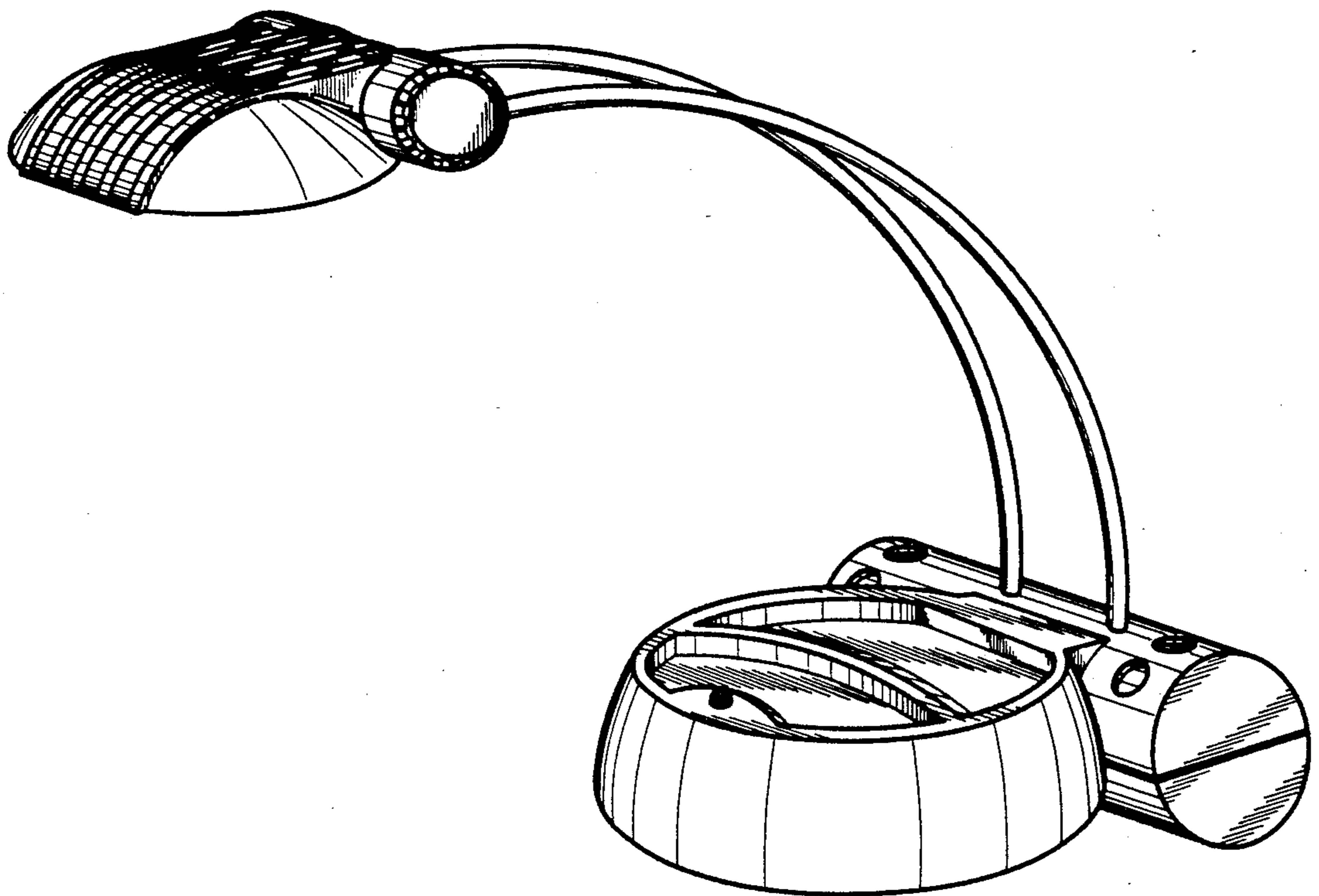


Fig. 1

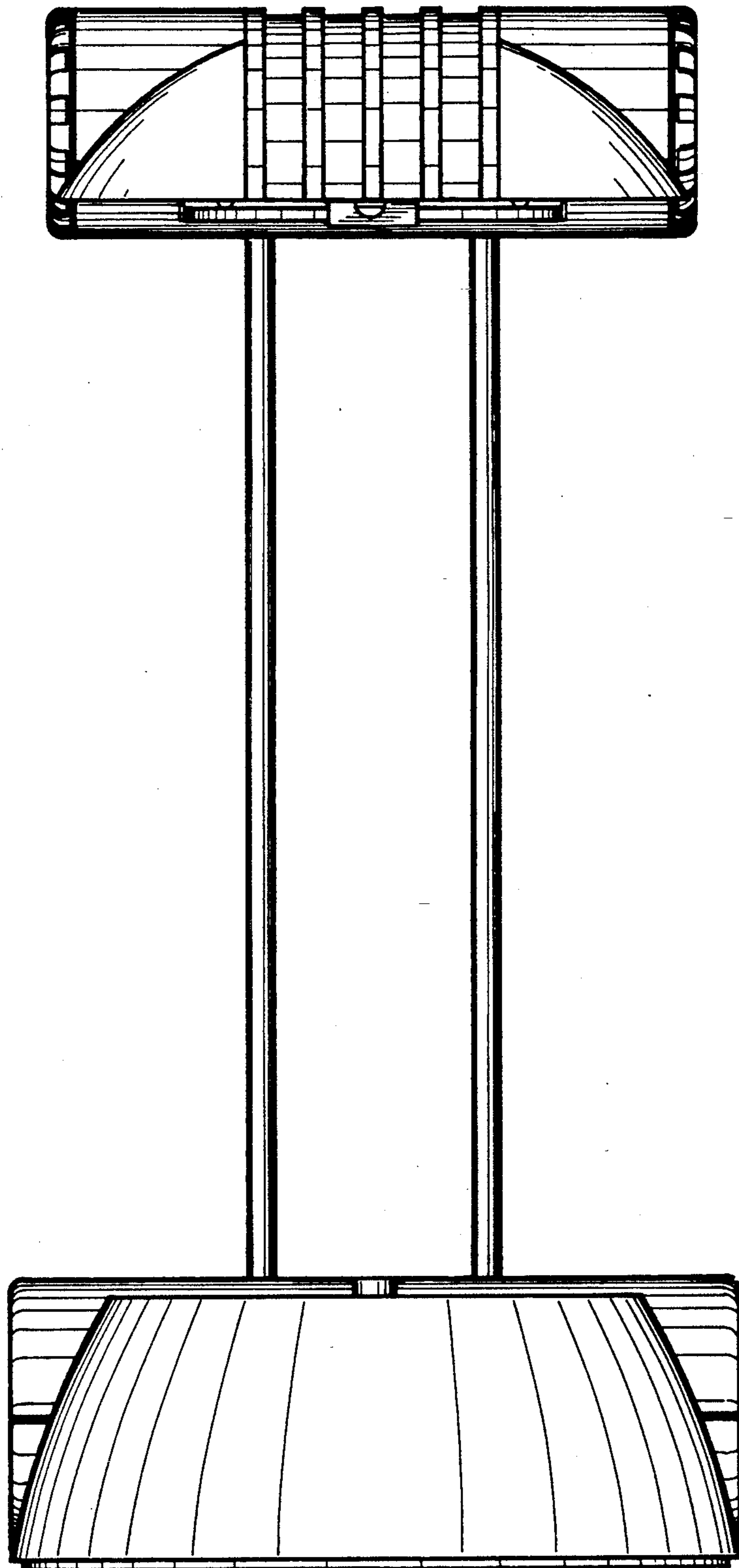


Fig. 2

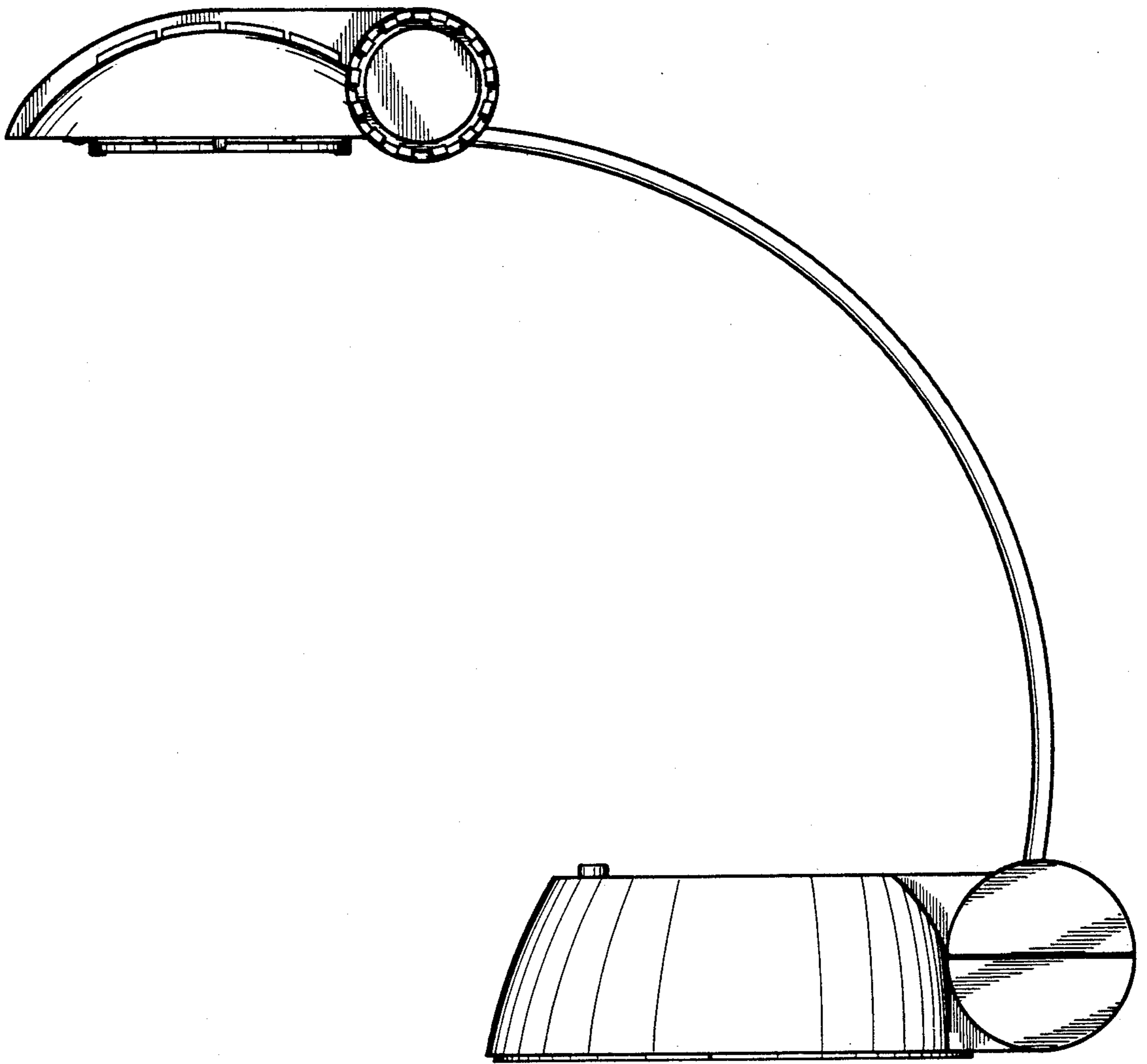


Fig. 3

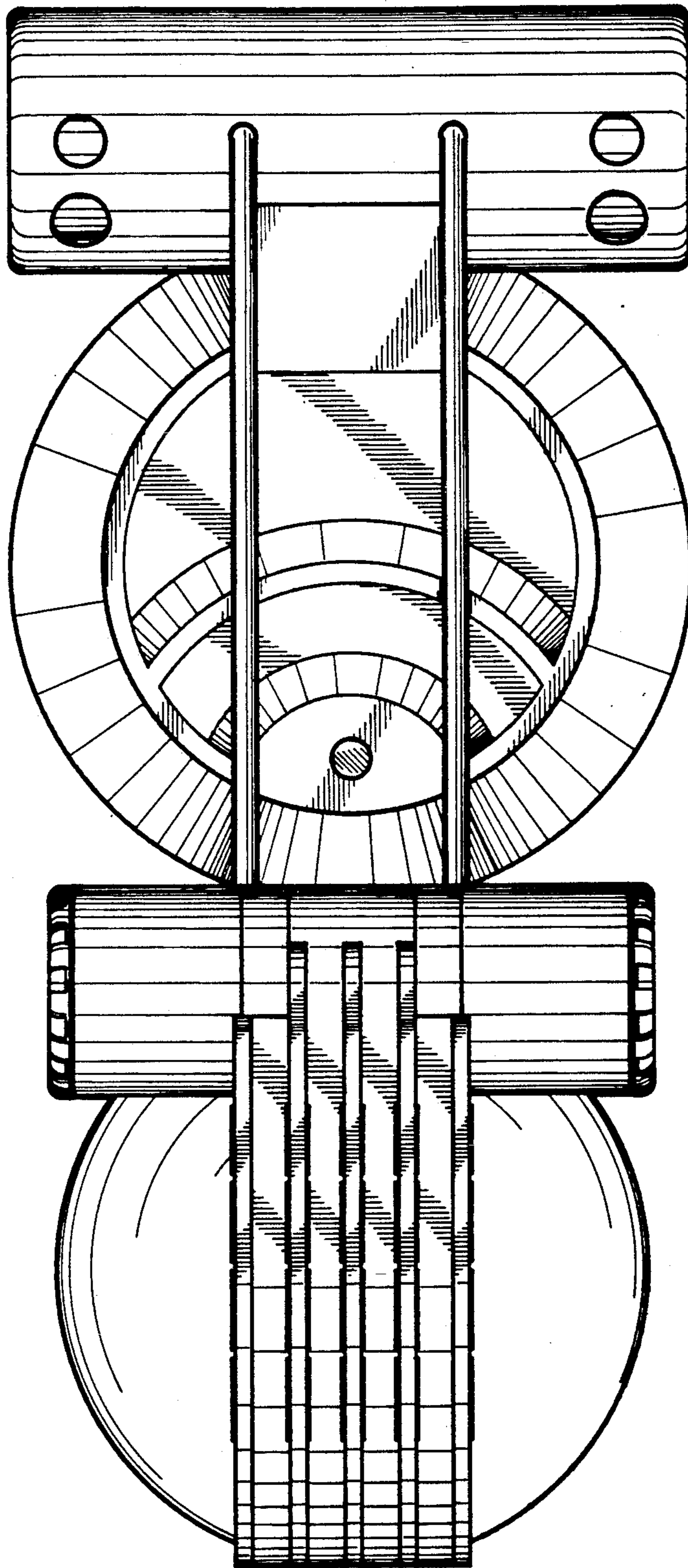


Fig. 4

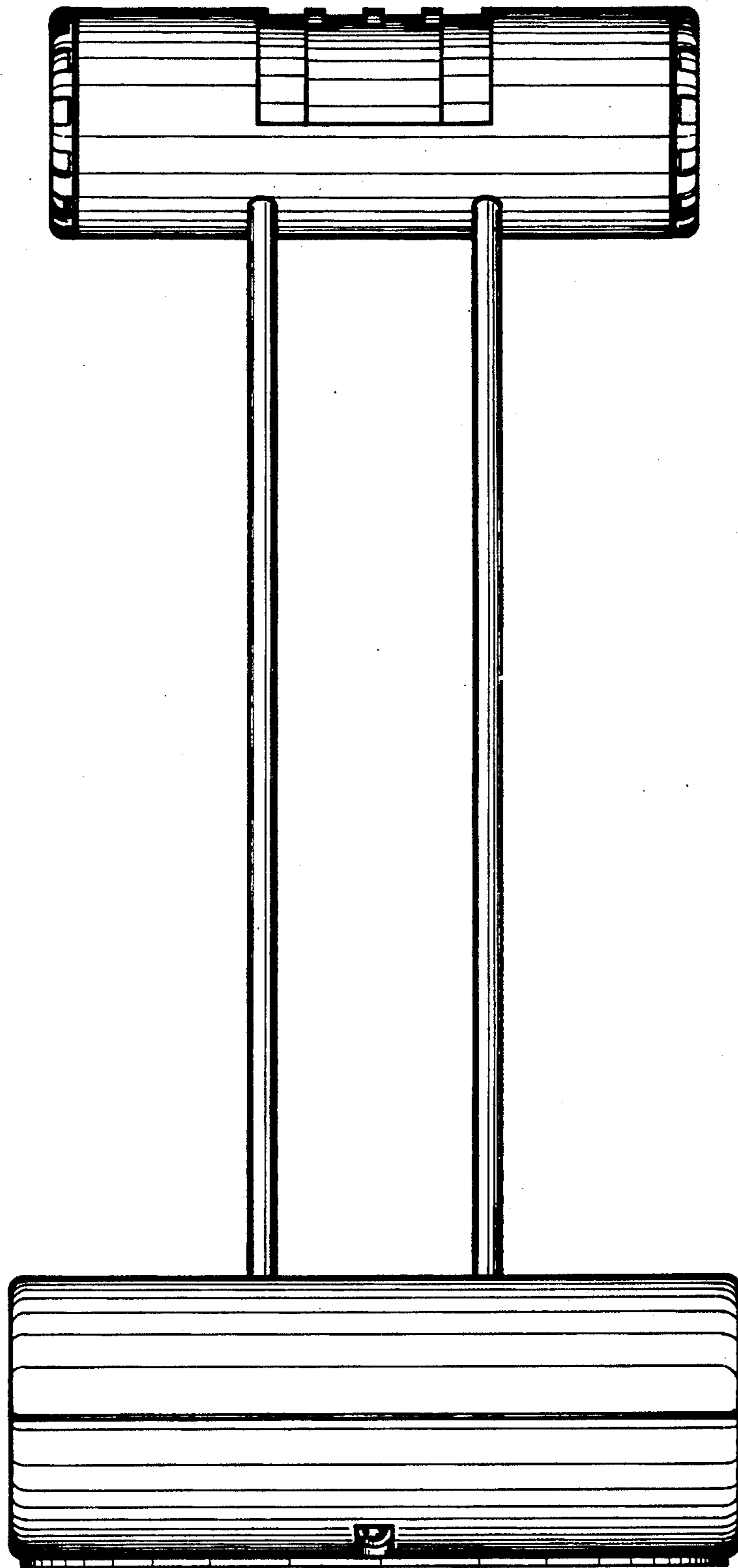


Fig. 5

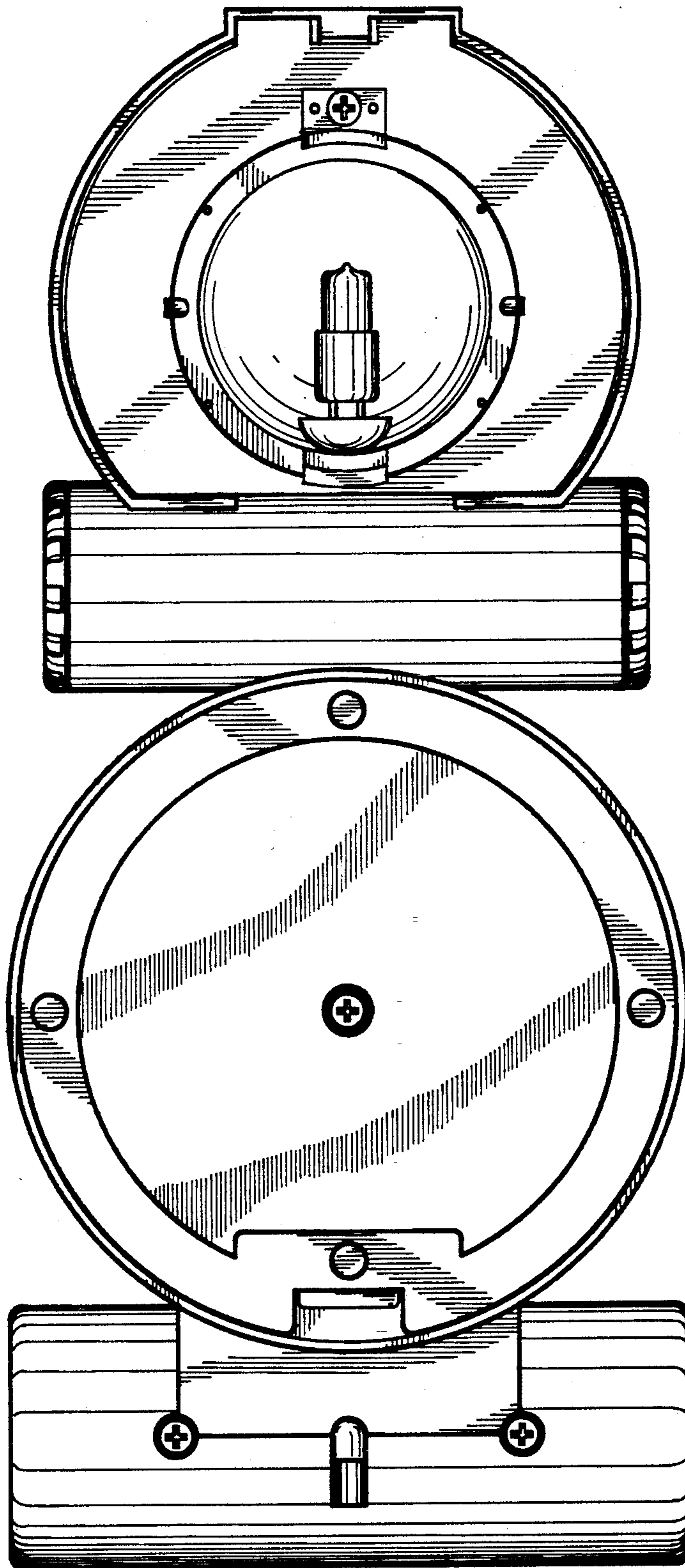


Fig. 6