



US00D334436S

United States Patent [19]

Cole

[11] Patent Number: **Des. 334,436**

[45] Date of Patent: **** Mar. 30, 1993**

[54] **WINDOW COMPONENT EXTRUSION**

[75] Inventor: **Douglas L. Cole, Seattle, Wash.**

[73] Assignee: **Mikron Industries, Kent, Wash.**

[**] Term: **14 Years**

[21] Appl. No.: **672,627**

[22] Filed: **Mar. 20, 1991**

[52] U.S. Cl. **D25/125**

[58] Field of Search **D25/52, 119-125;**
49/75, 501, 504, 404, 413, 419, DIG. 1; 52/202,
731, 735

[56] **References Cited**

U.S. PATENT DOCUMENTS

D. 263,753 4/1982 Dallaire D25/124

D. 292,737 11/1987 Reisinger et al. D25/125
D. 301,065 5/1989 Dallaire et al. D25/122
4,370,830 2/1983 Schaefer et al. 49/504

Primary Examiner—James R. Largen

Assistant Examiner—D. Clark

Attorney, Agent, or Firm—Seed and Berry

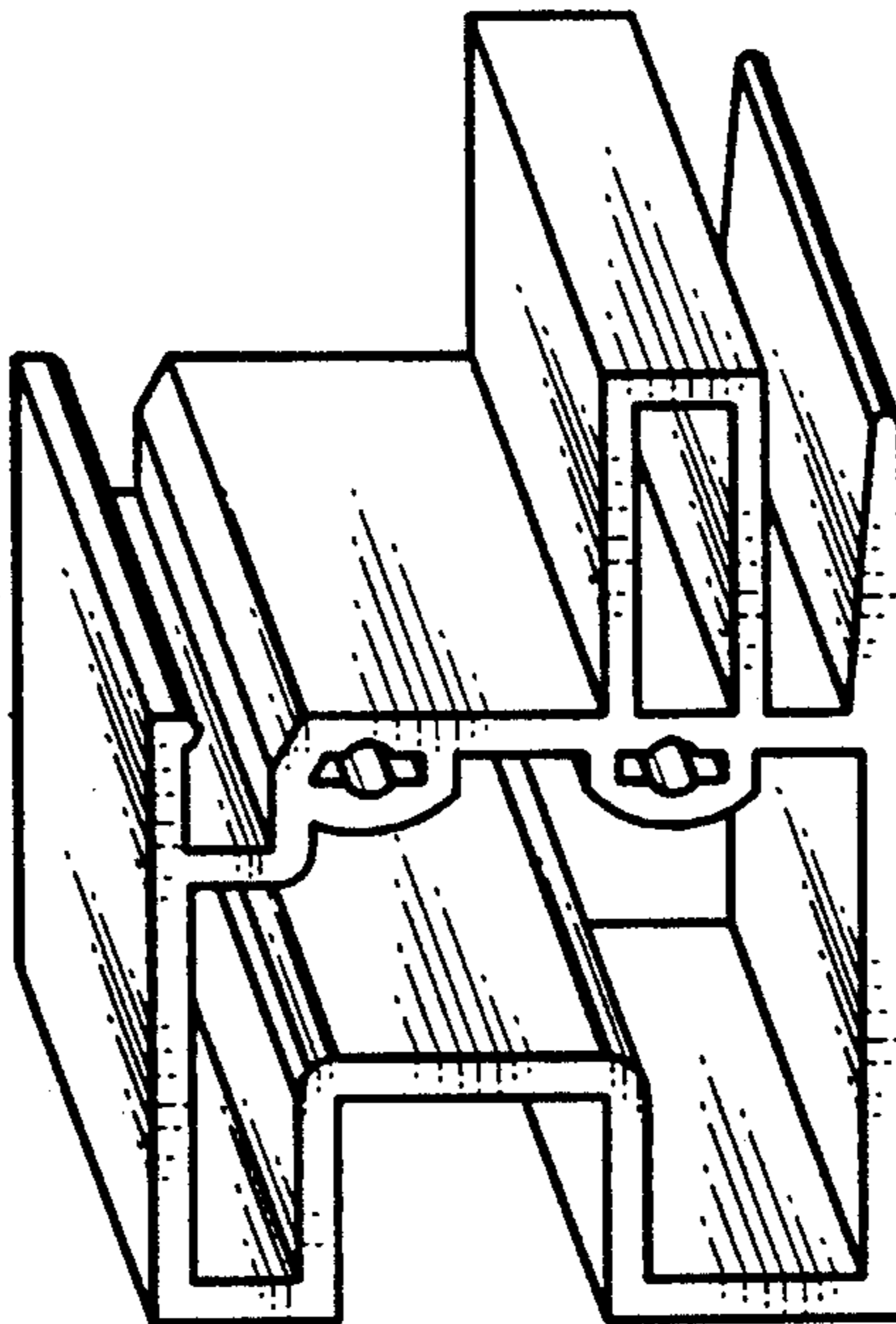
[57] **CLAIM**

The ornamental design for a window component extrusion, as shown and described.

DESCRIPTION

FIG. 1 is a top, right, perspective view of a window component extrusion showing my new design, the window component extrusion being of indefinite length; and,

FIG. 2 is a bottom, left, perspective view thereof.



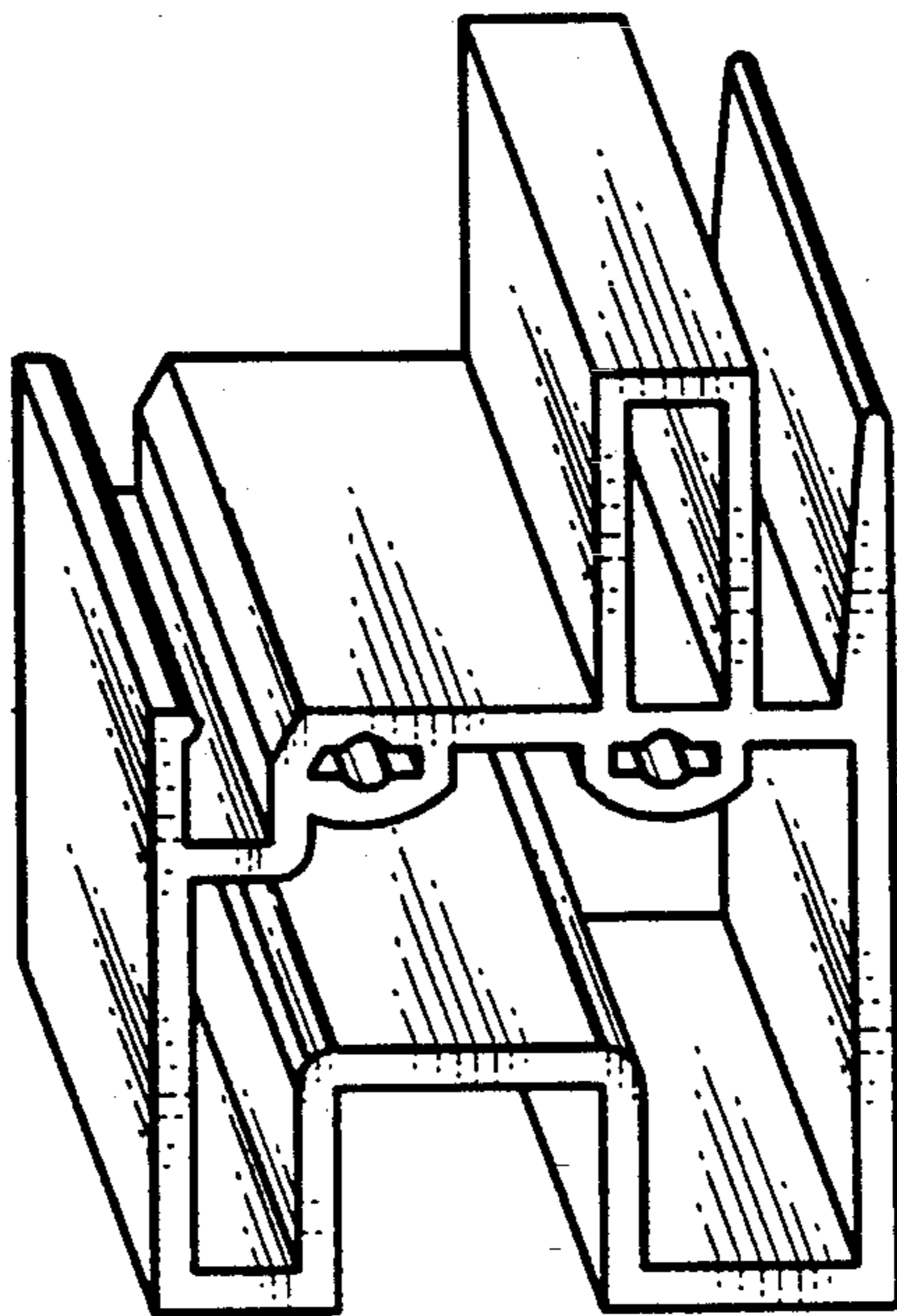


FIG. 1

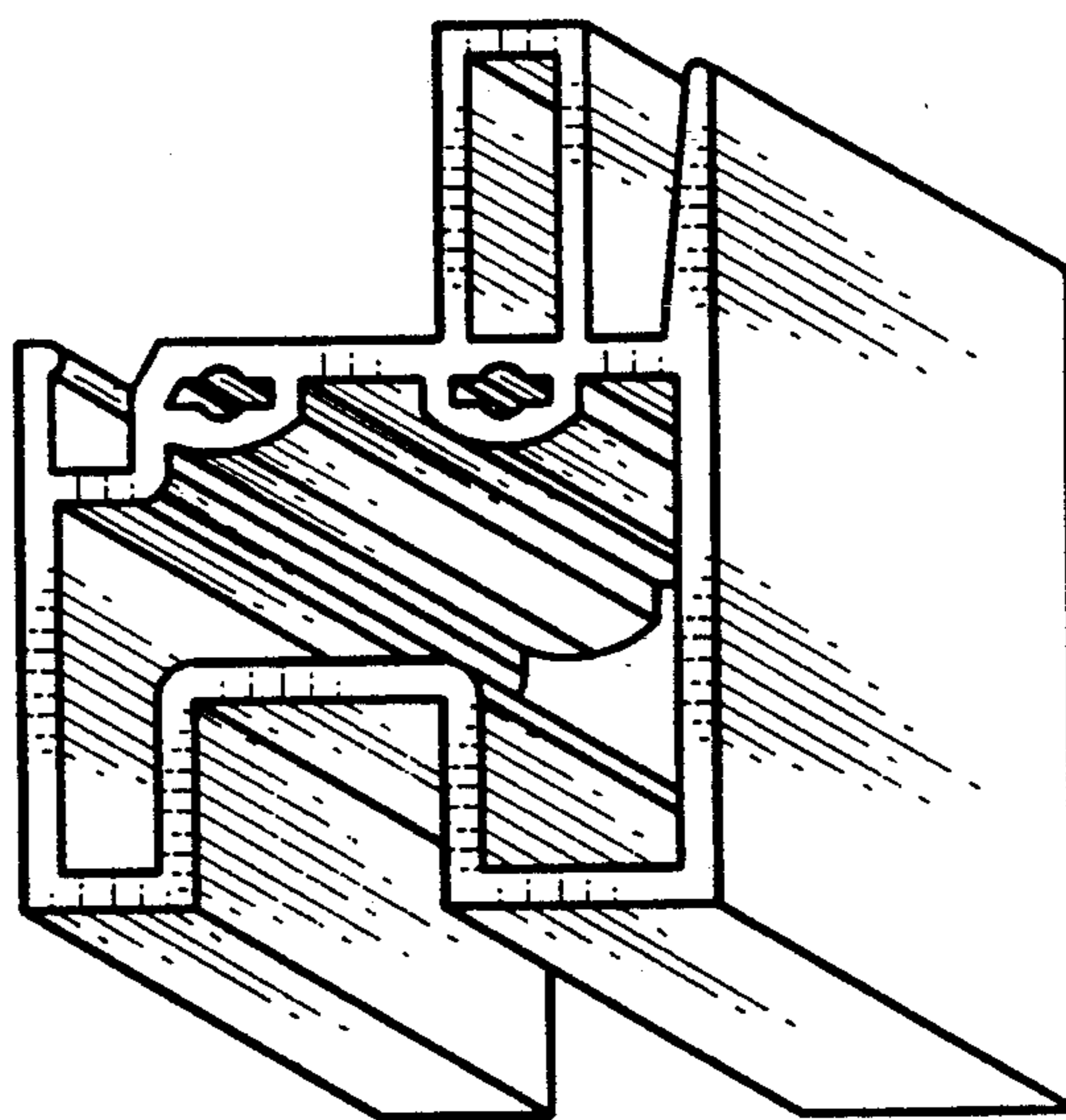


FIG. 2