



US00D334423S

United States Patent [19]

[11] Patent Number: Des. 334,423

Demarest

[45] Date of Patent: ** Mar. 30, 1993

[54] AEROSOL PUMP GUN

[75] Inventor: Scott W. Demarest, Caledonia, Wis.

[73] Assignee: S. C. Johnson & Son, Inc., Racine, Wis.

[**] Term: 14 Years

[21] Appl. No.: 600,348

[22] Filed: Oct. 17, 1990

[52] U.S. Cl. D23/226

[58] Field of Search D9/300; D8/14.1; D23/223-227, 231, 232; 222/631; 239/355, 310, 337, 346, 349, 359, 525-529

[56] References Cited

U.S. PATENT DOCUMENTS

D. 142,601	10/1945	Warner	D23/226
D. 252,097	6/1979	Probst et al.	D23/226
D. 307,379	4/1990	Knispel	D8/14.1
1,859,273	5/1932	O'Connor	239/361
2,018,227	10/1935	Patterson	239/361
2,058,391	10/1936	Amato	239/361
2,073,753	3/1937	Novak	239/361
2,109,589	3/1938	Horwitt et al.	239/333
3,470,874	10/1969	Accetta	222/631

FOREIGN PATENT DOCUMENTS

247231	6/1931	Australia	239/355
649469	1/1951	United Kingdom	239/355

OTHER PUBLICATIONS

Co-pending U.S. pat. appl. Ser. No. 07/599,179 to Demarest, "Fluid Spray Device".

Co-pending U.S. Des. pat. appl. Ser. No. 07/600,347 to Demarest, "Liquid Reservoir".

Primary Examiner—Bernard Ansher

Assistant Examiner—C. Tuttle

[57] CLAIM

The ornamental design for a aerosol pump gun, as shown and described.

DESCRIPTION

FIG. 1 is a rear perspective view of an aerosol pump gun showing my new design;
 FIG. 2 is a rear elevational view thereof;
 FIG. 3 is a right side elevational view thereof, the side opposite being a mirror image of the side shown;
 FIG. 4 is a front elevational view thereof;
 FIG. 5 is a top plan view thereof; and,
 FIG. 6 is a bottom plan view thereof.

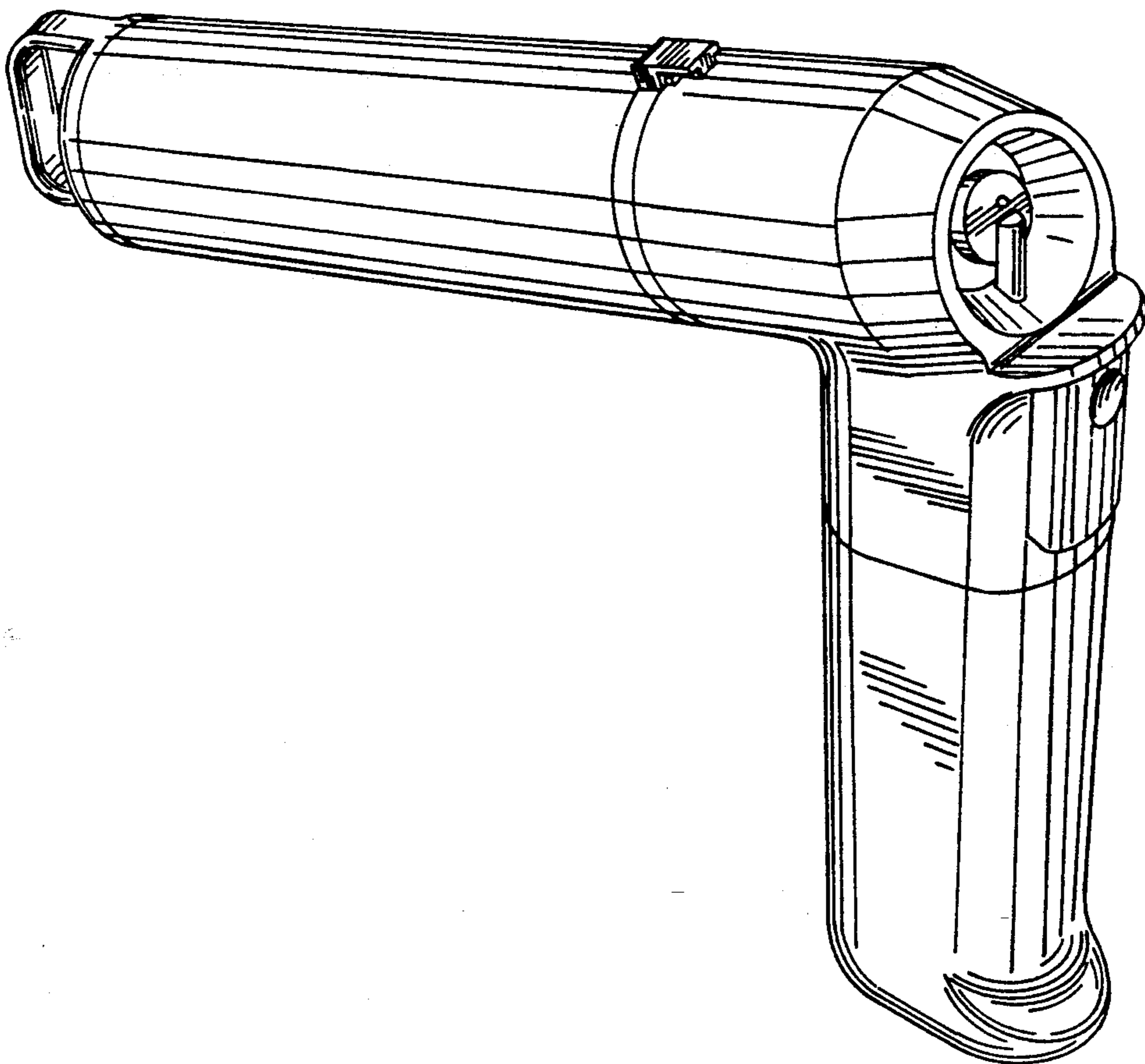


FIG. 2-

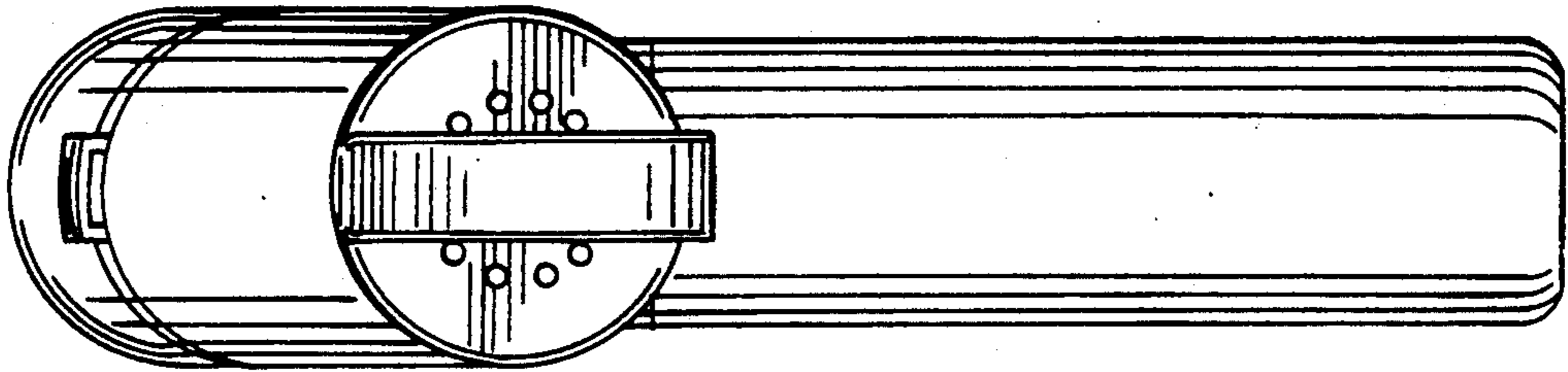


FIG. 1-

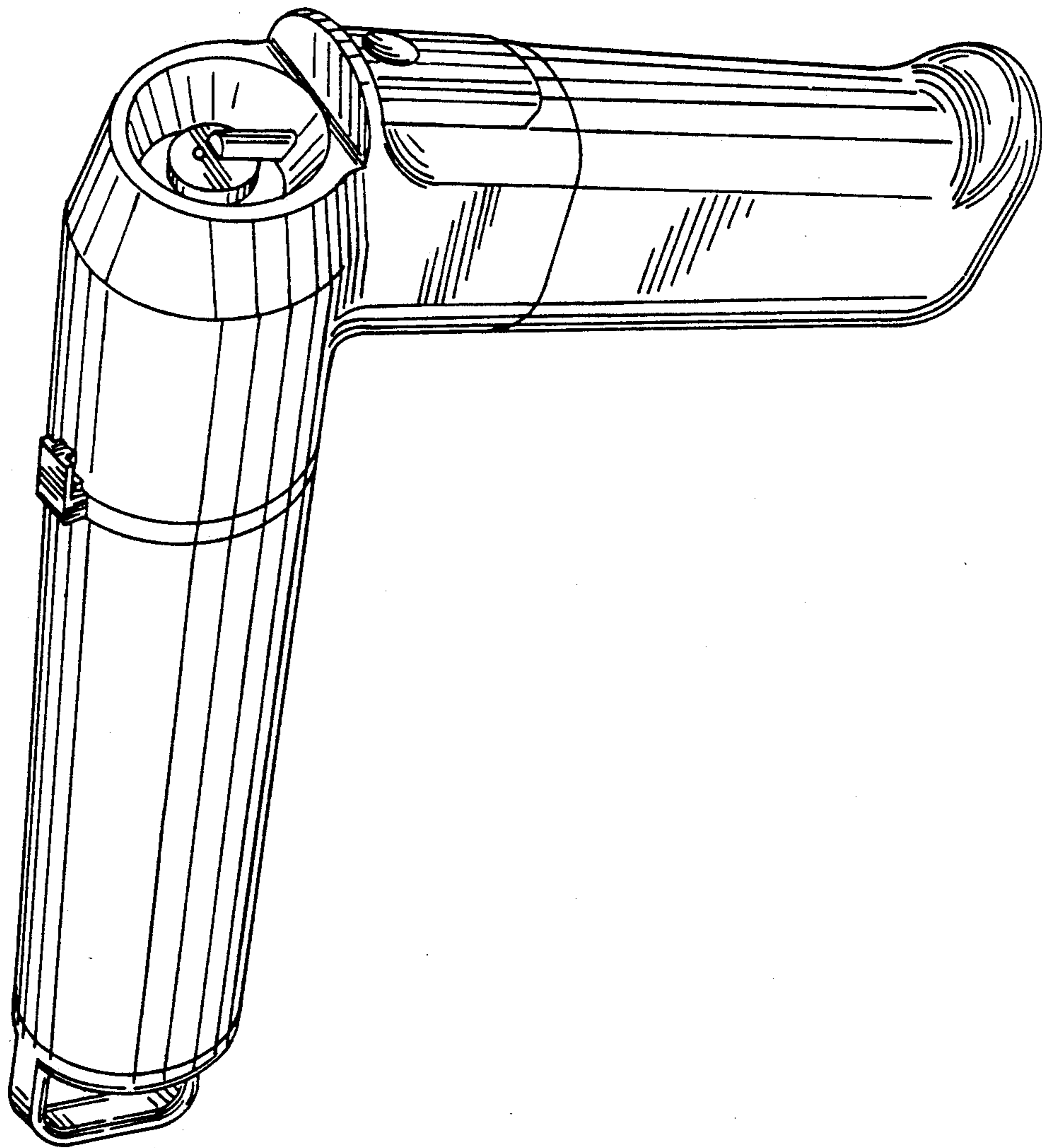


FIG-4-

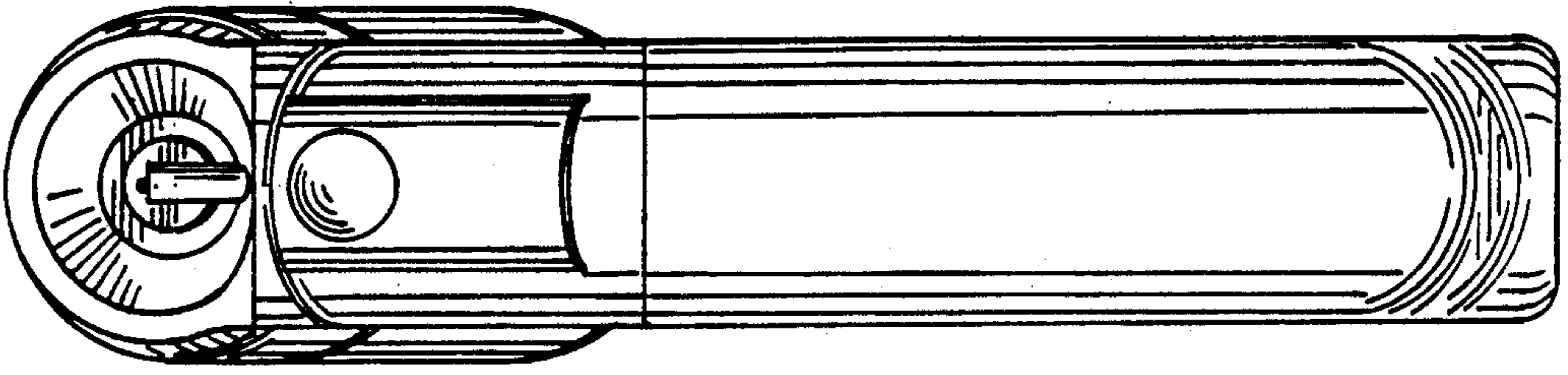


FIG-3-

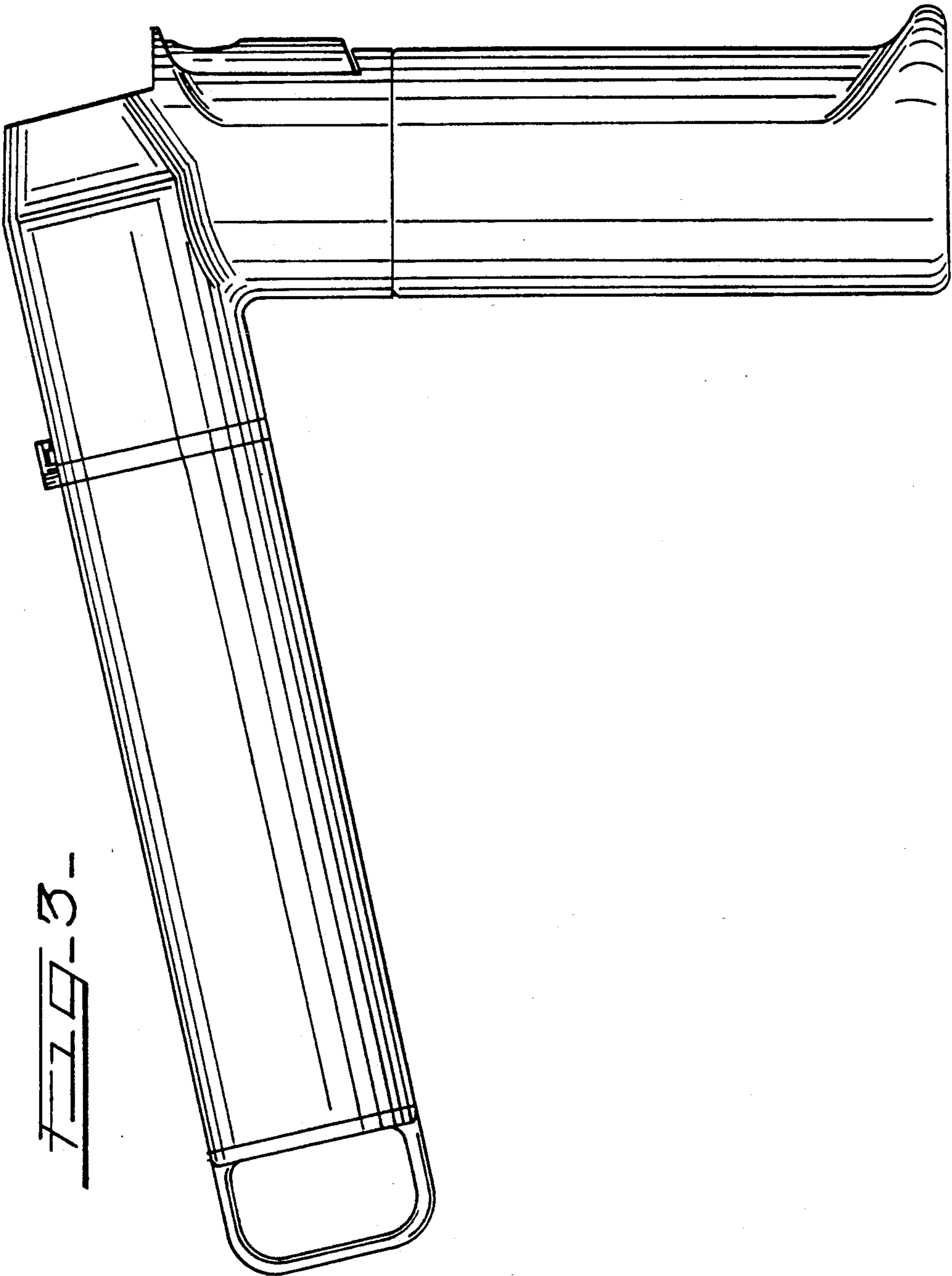


FIG-5-

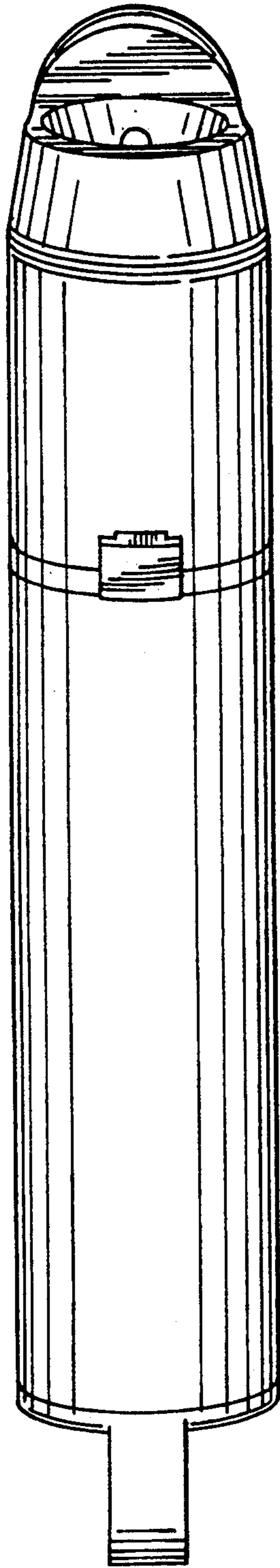


FIG-6-

