



US00D334422S

# United States Patent [19]

[11] Patent Number: **Des. 334,422**

**Clivio**

[45] Date of Patent: **\*\* Mar. 30, 1993**

## [54] SPRINKLER

[75] Inventor: **Franco Clivio**, Zürich, Switzerland

[73] Assignee: **Gardena Kress+Kastner GmbH**,  
Fed. Rep. of Germany

[\*] Notice: The portion of the term of this patent  
subsequent to Mar. 12, 2005 has been  
disclaimed.

[\*\*] Term: **14 Years**

[21] Appl. No.: **397,565**

[22] Filed: **Aug. 23, 1989**

[52] U.S. Cl. .... **D23/216**

[58] Field of Search ..... **D23/200, 211, 213-221;**  
**239/200-207, 211, 242-243, 273, 275-276,**  
**279-280, 390-394, 443-444, 456, 556-558,**  
**246-248, DIG. 1**

## [56] References Cited

### U.S. PATENT DOCUMENTS

D. 221,336	8/1971	Raffler et al. ....	D23/216
D. 234,765	4/1975	Raffler et al. ....	D23/216
D. 282,769	2/1986	Lemkiu et al. ....	D23/216
3,220,655	11/1965	Mattson .....	239/242

## OTHER PUBLICATIONS

Advertising brochure of Uniflex, Utiltime S.p.A., Via  
dell'Industria 1-33086 Montereale V. (PN).

Advertising brochure of Gilmour, pp. 2-3.

Advertising brochure of Gardena, Kress+Kastner,  
GmbH, Lichternseestrasse 40, D-7900 Ulm, Germany,  
p. 32.

Advertising brochure of Sirotex.

Advertising brochure of Melnor, p. 14.

*Primary Examiner*—Susan J. Lucas

*Assistant Examiner*—M. H. Tung

*Attorney, Agent, or Firm*—Quarles & Brady

## [57] CLAIM

The ornamental design for a sprinkler, as shown and  
described.

## DESCRIPTION

FIG. 1 is a side perspective view of a sprinkler showing  
my new design;

FIG. 2 is a side elevational view thereof;

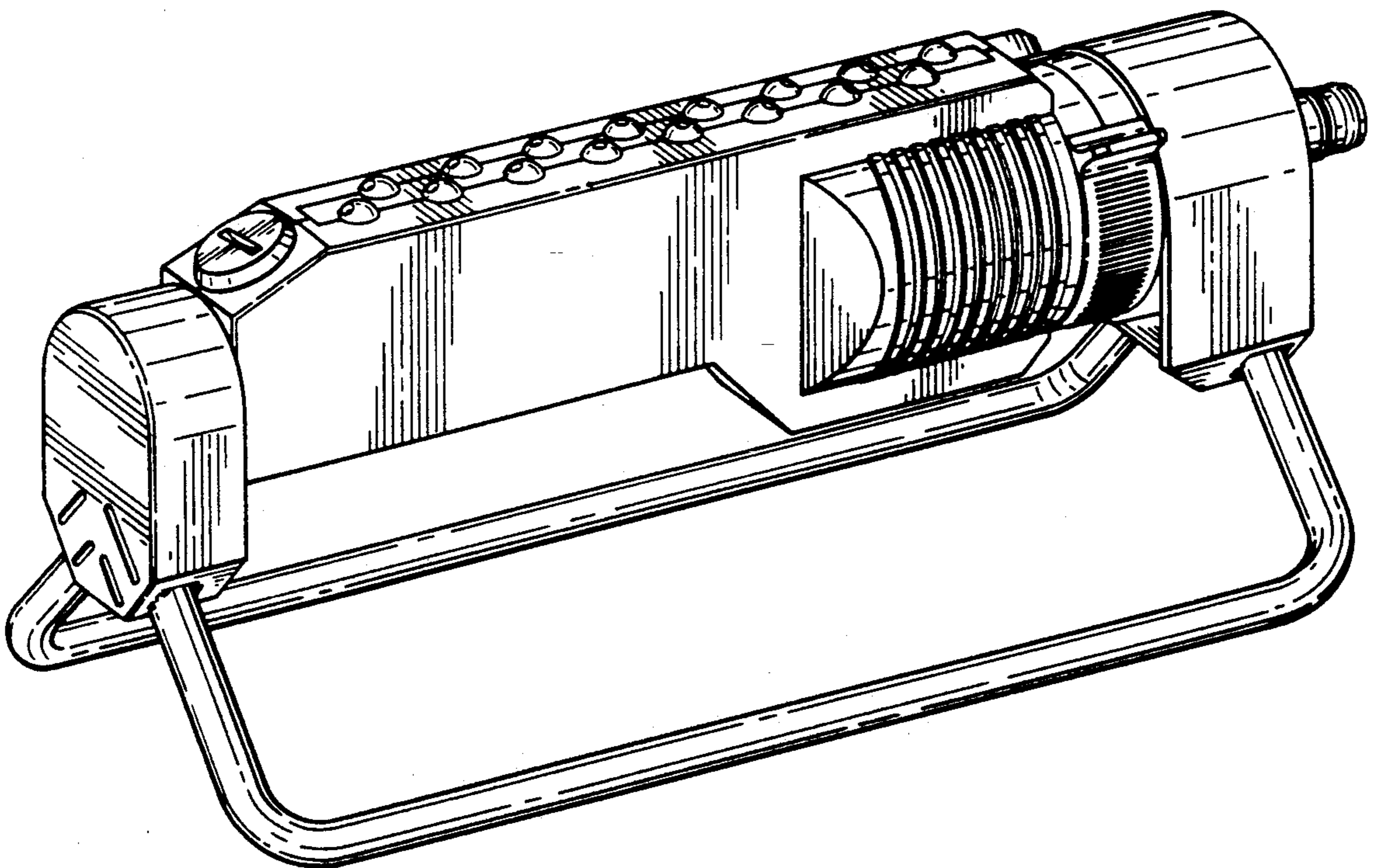
FIG. 3 is a front elevational view thereof;

FIG. 4 is the opposite side elevational view thereof;

FIG. 5 is a rear elevational view thereof;

FIG. 6 is a top plan view thereof; and,

FIG. 7 is a bottom plan view thereof.



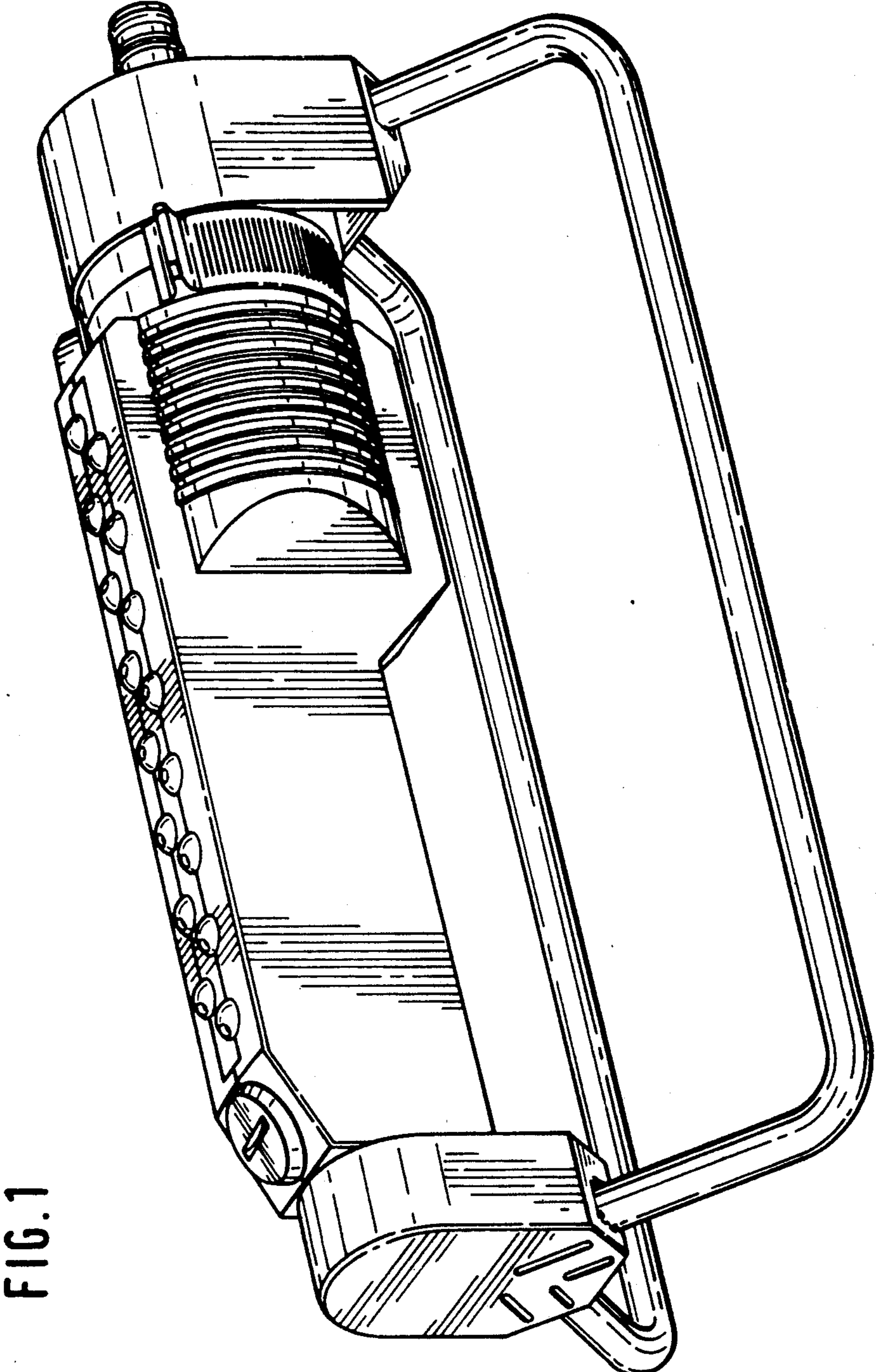


FIG. 1

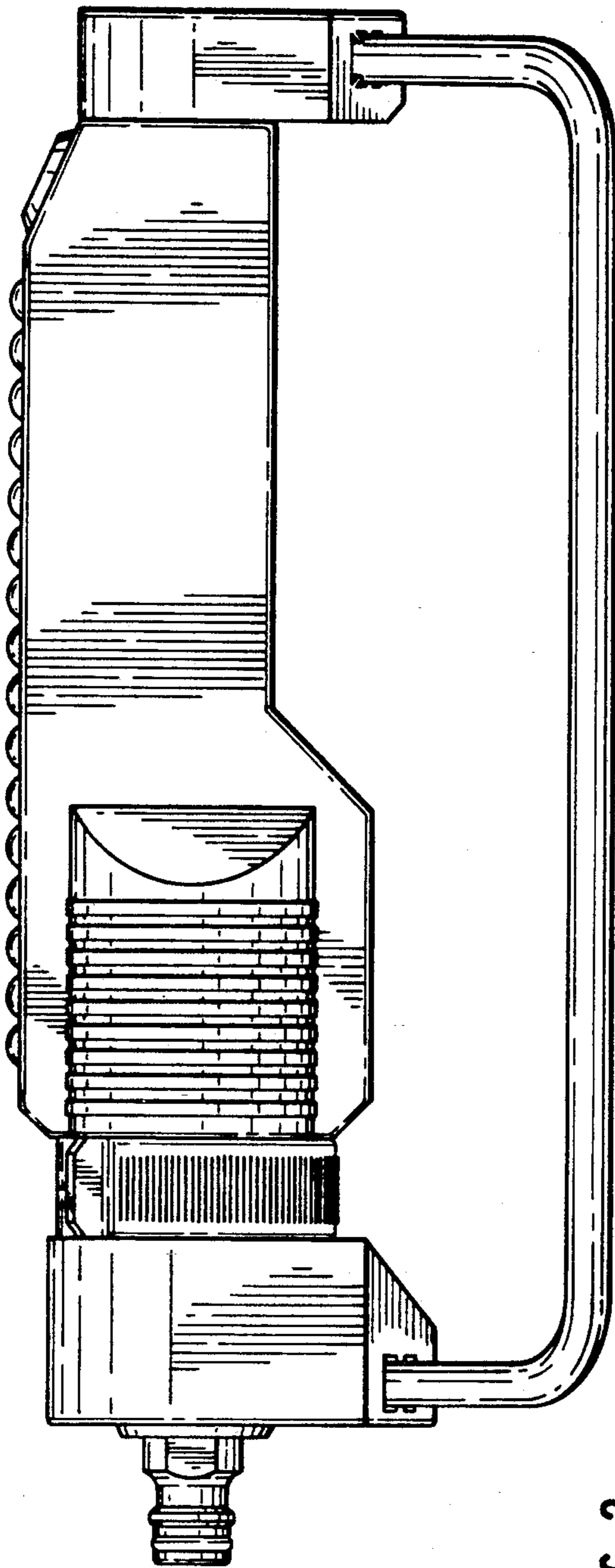


FIG. 2

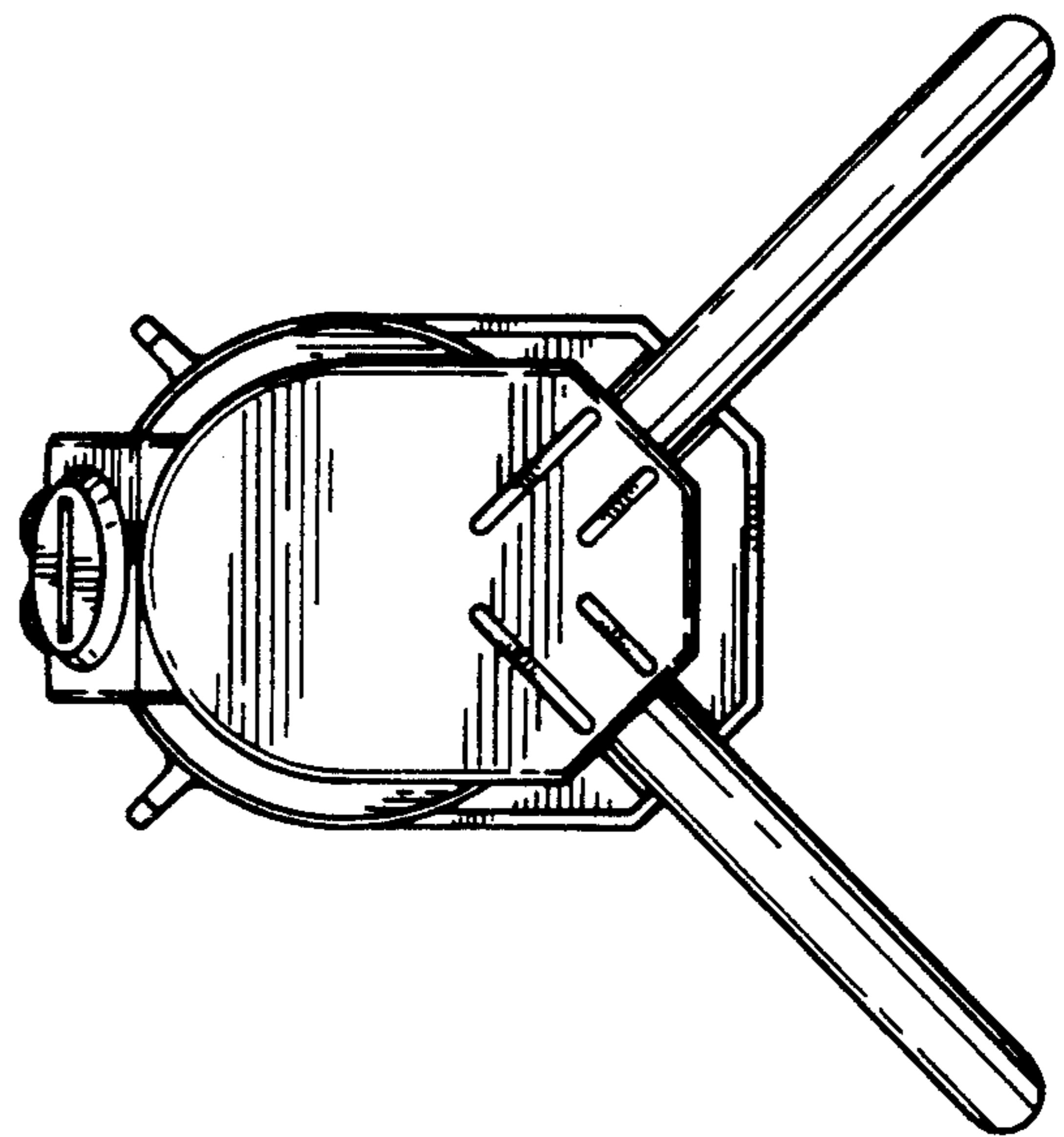


FIG. 3



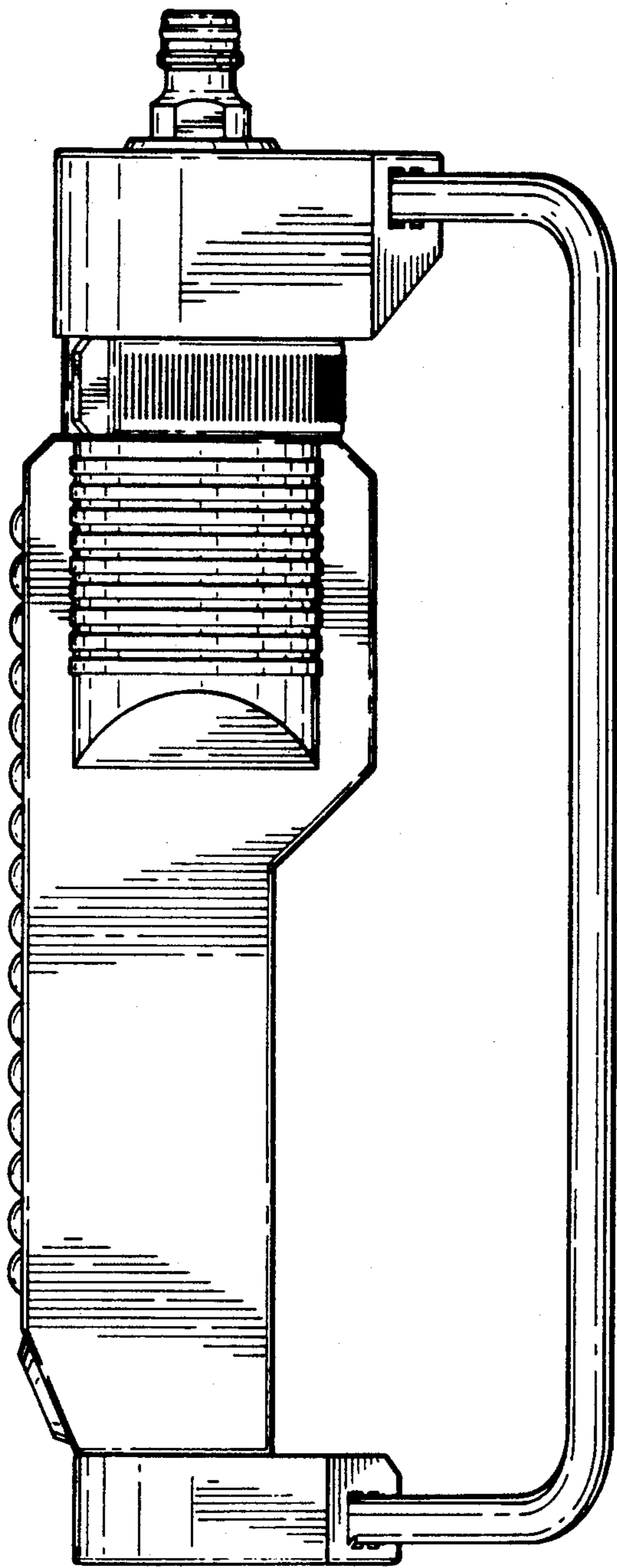


FIG. 4

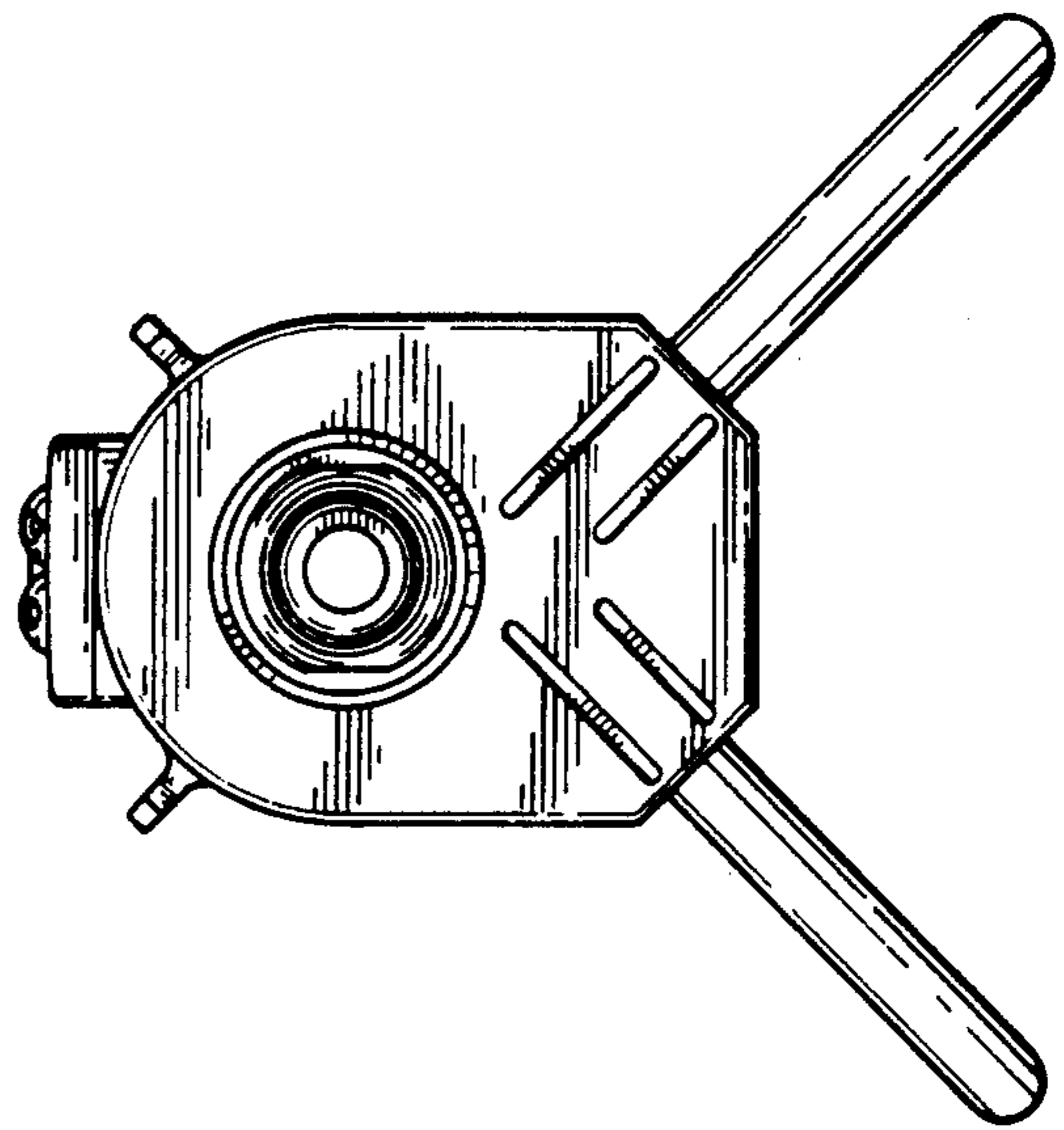


FIG. 5

FIG. 6

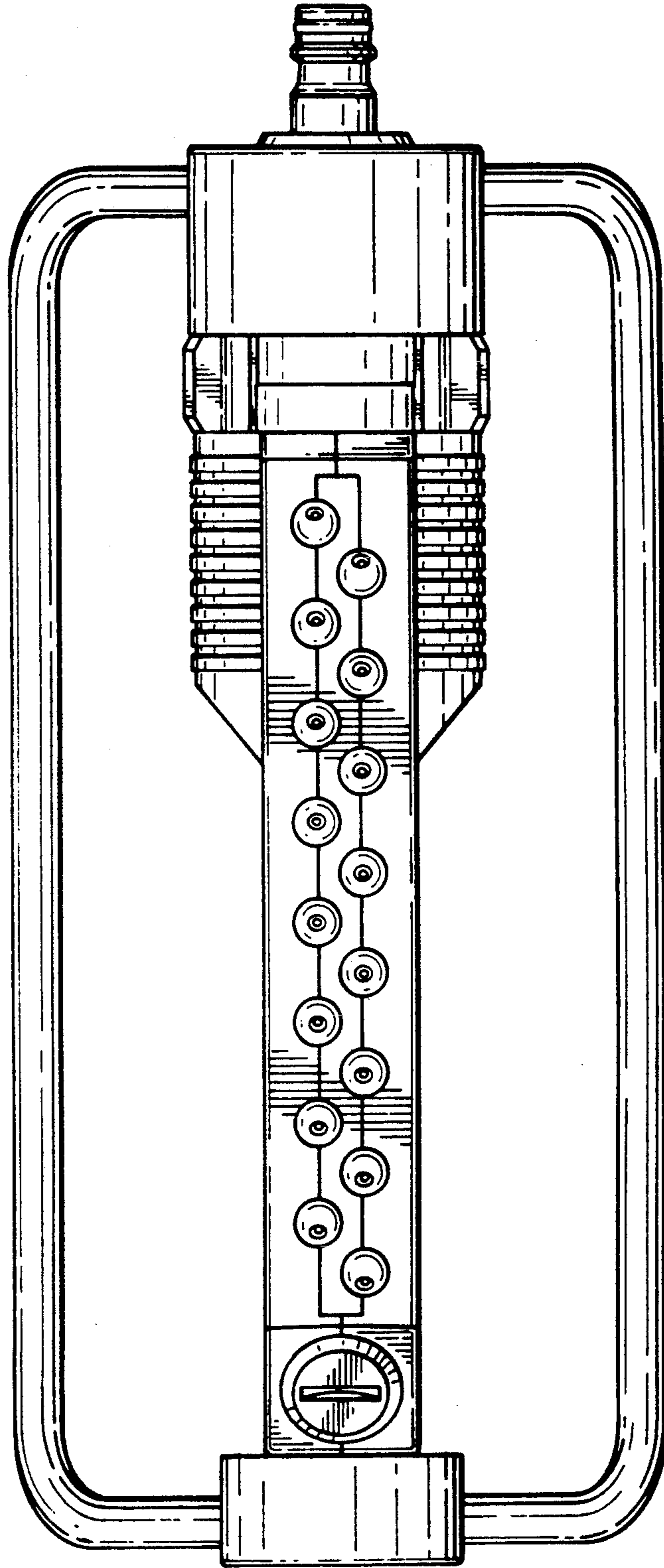


FIG. 7

