



US00D334415S

United States Patent [19]

Carter et al.

[11] Patent Number: Des. 334,415

[45] Date of Patent: ** Mar. 30, 1993

[54] VIDEO GAME CONTROLLER

[75] Inventors: Robert L. Carter, Lake Oswego, Oreg.; Gary L. Moffett, Vancouver, Wash.; Frank M. Bouton, Beaverton, Oreg.

[73] Assignee: Thrustmaster, Inc., Tigard, Oreg.

[**] Term: 14 Years

[21] Appl. No.: 930,344

[22] Filed: Aug. 14, 1992

4,439,649 3/1984 Cecchi 273/438 X
4,479,038 10/1984 Marhold et al. 273/438 X
4,552,360 11/1985 Bromley et al. 273/DIG. 28

Primary Examiner—Bernard Ansher
Assistant Examiner—Prabhakar Deshmukh
Attorney, Agent, or Firm—Marger, Johnson, McCollom & Stolowitz

[57] CLAIM

The ornamental design for a video game controller, as shown and described.

DESCRIPTION

FIG. 1 is a perspective view of a video game controller showing our new design;
FIG. 2 is a top perspective view thereof showing undisclosed sides in FIG. 1;
FIG. 3 is a rear elevational view thereof;
FIG. 4 is a front elevational view thereof;
FIG. 5 is a left side elevational view thereof;
FIG. 6 is a right side elevational view thereof; and,
FIG. 7 is a top plan view thereof.
The bottom surface is plain and unornamented.
The broken line of showing of a conduit in FIGS. 1 and 2 is for illustrative purposes only and forms no part of the claim.

Related U.S. Application Data

[63] Continuation-in-part of Ser. No. 598,338, Oct. 16, 1990, Pat. No. D. 330,230.

[52] U.S. Cl. D21/48

[58] Field of Search D21/48, 13; 273/148 B, 273/148 R, 433, 438, 434, 437, DIG. 28; D14/114, 125, 124

[56] References Cited

U.S. PATENT DOCUMENTS

D. 306,615 3/1990 Hayes D21/48
D. 313,251 12/1990 Hayes D21/48
D. 327,674 7/1992 Kuo D14/114

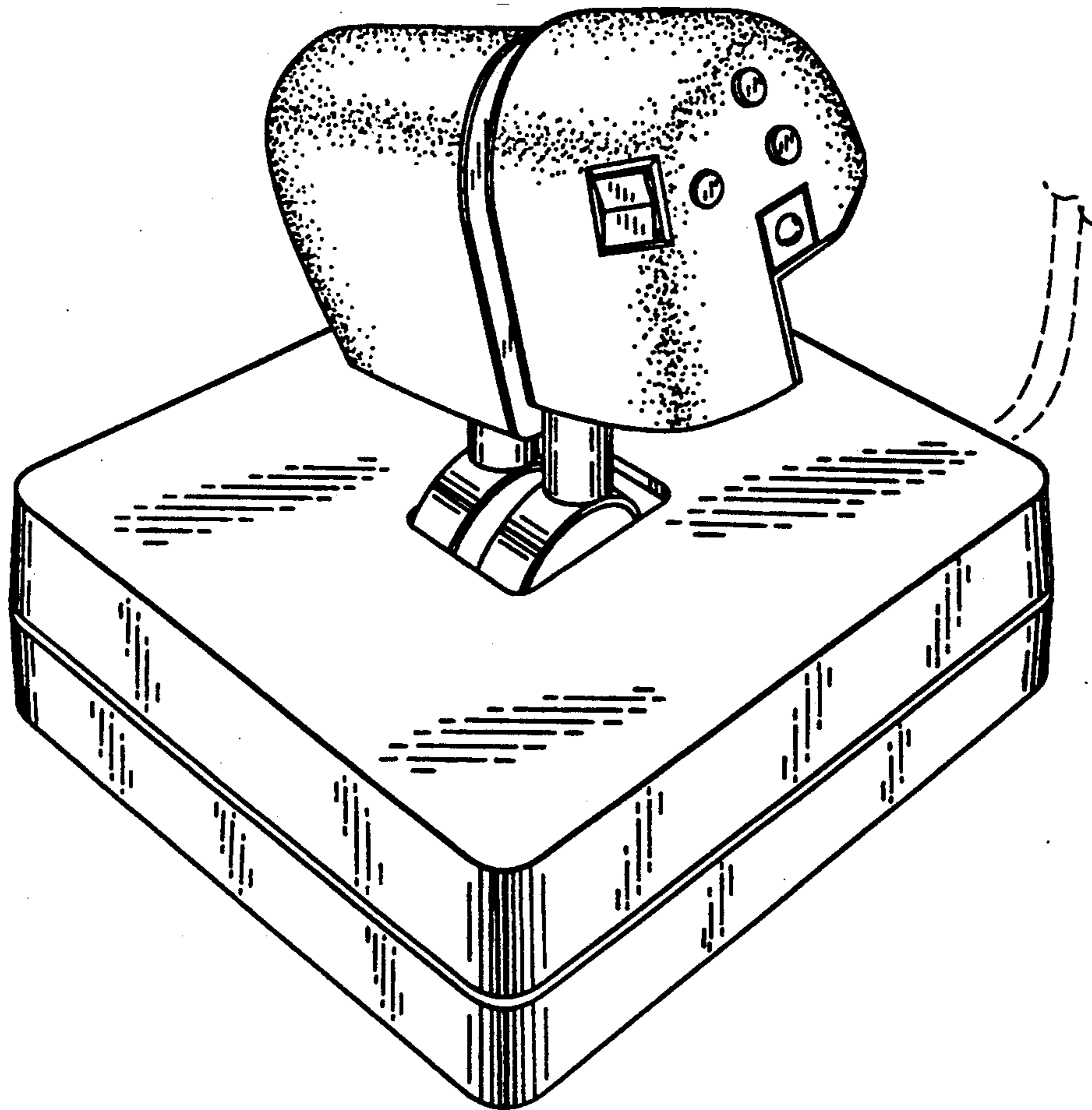


FIG. 1

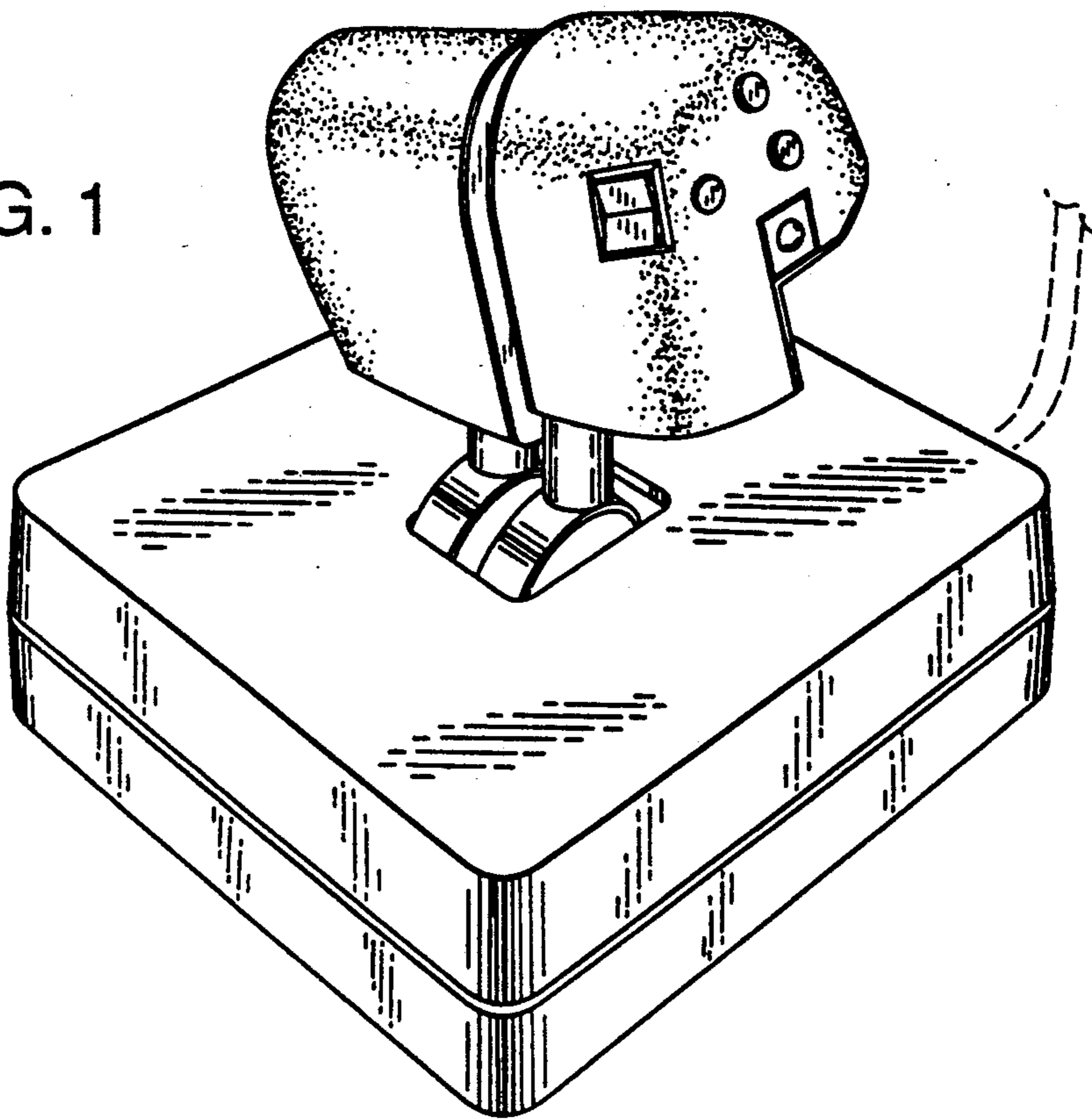


FIG. 2

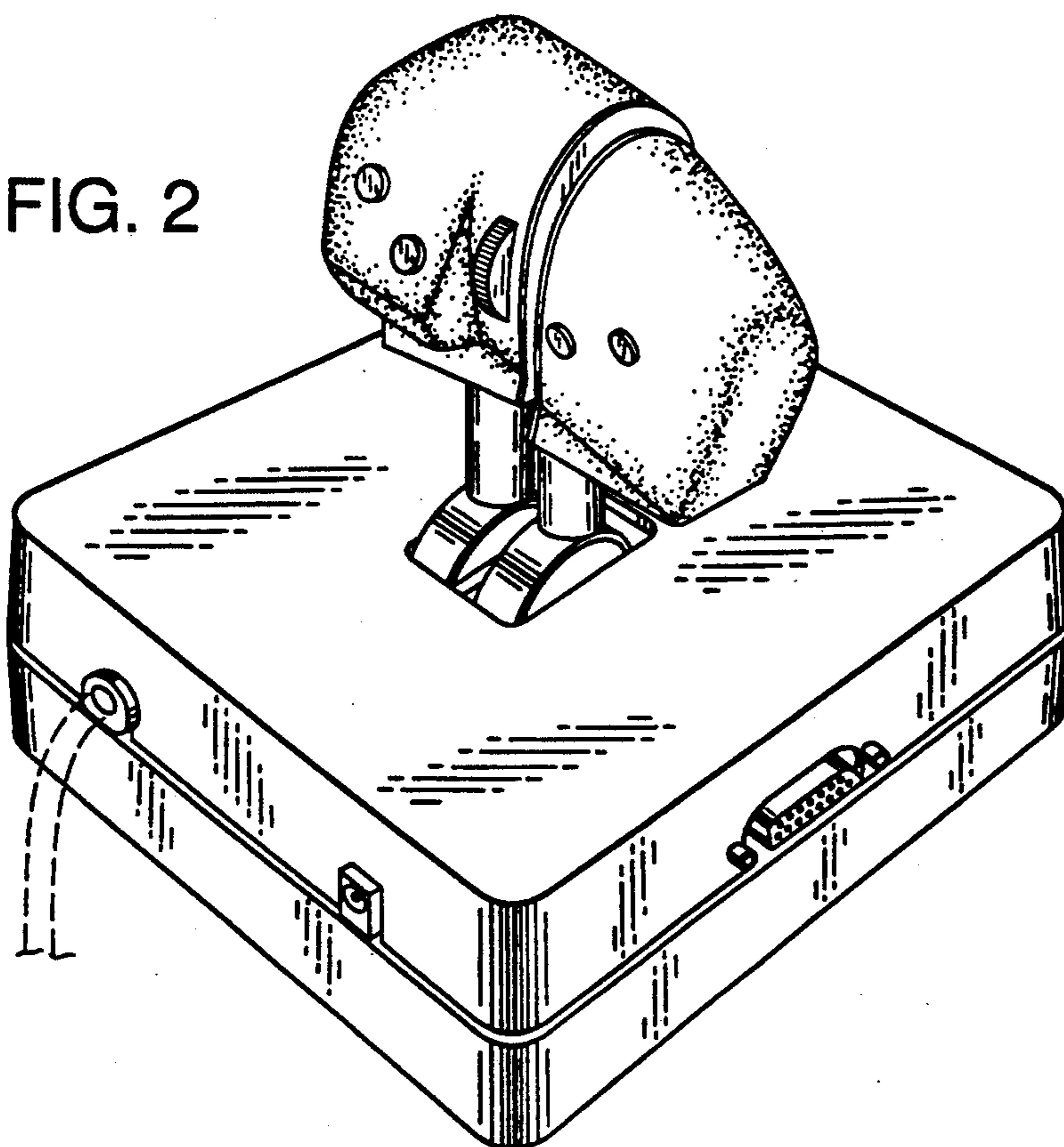


FIG. 3

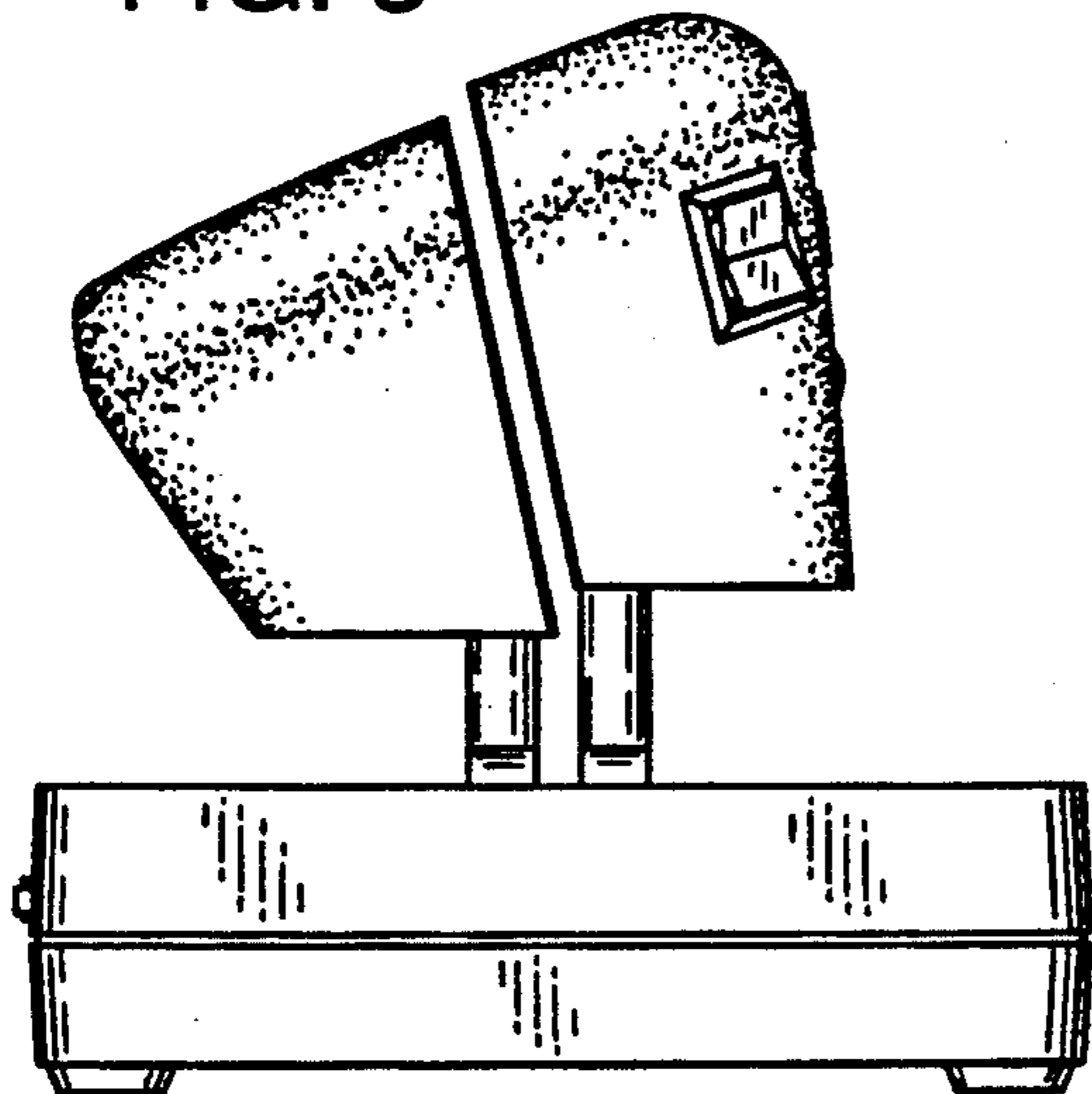


FIG. 4

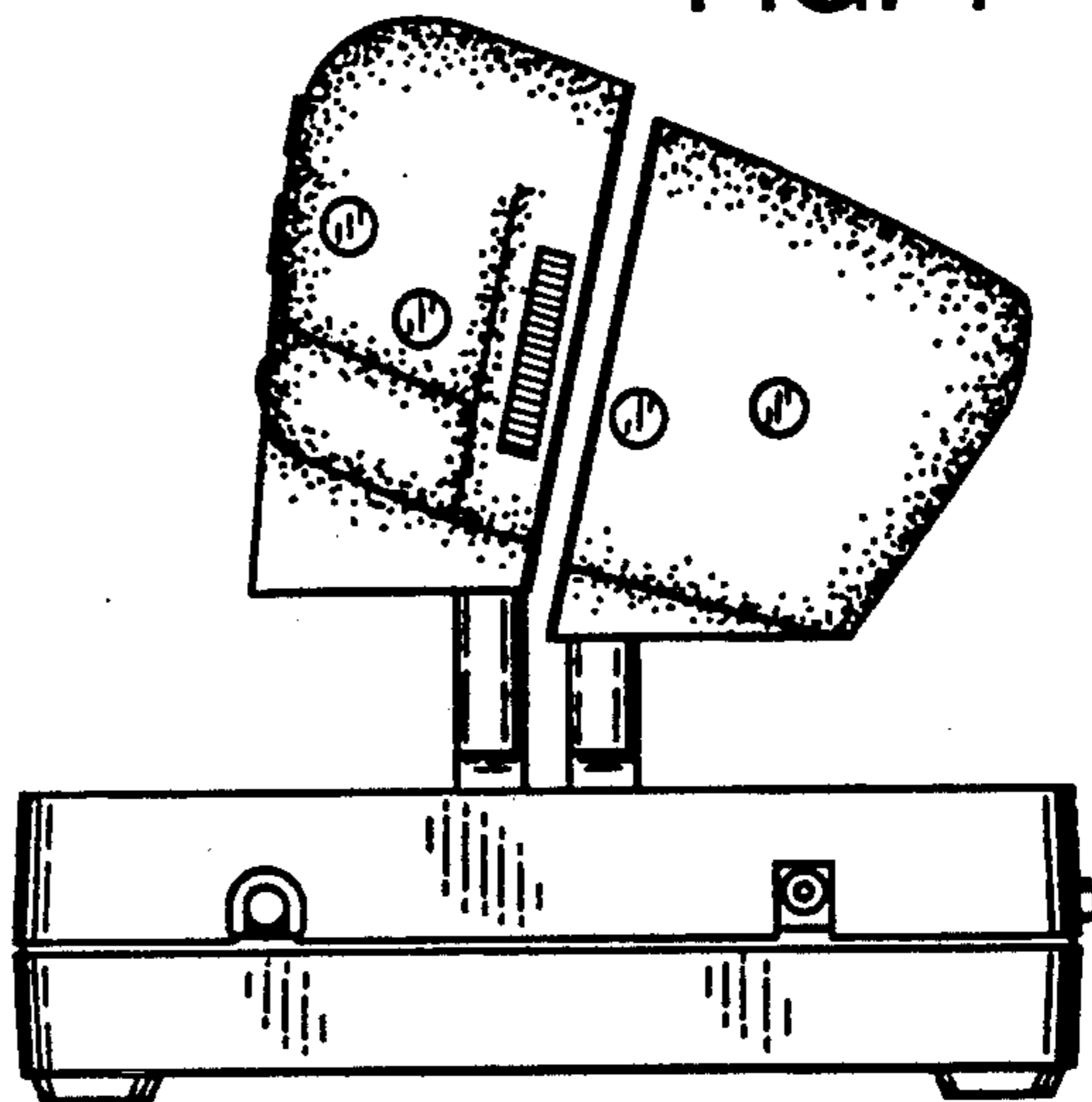


FIG. 5

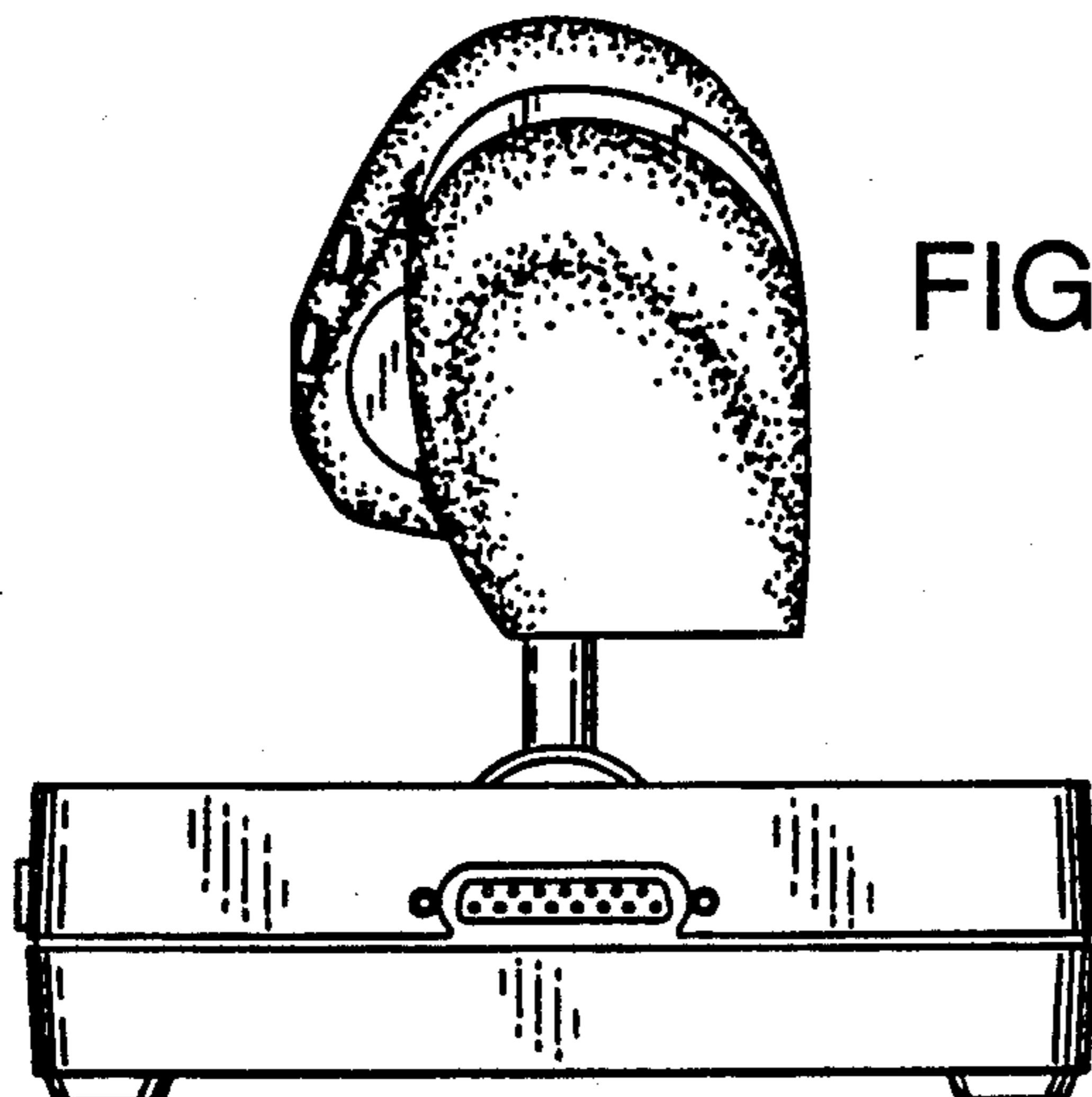


FIG. 6

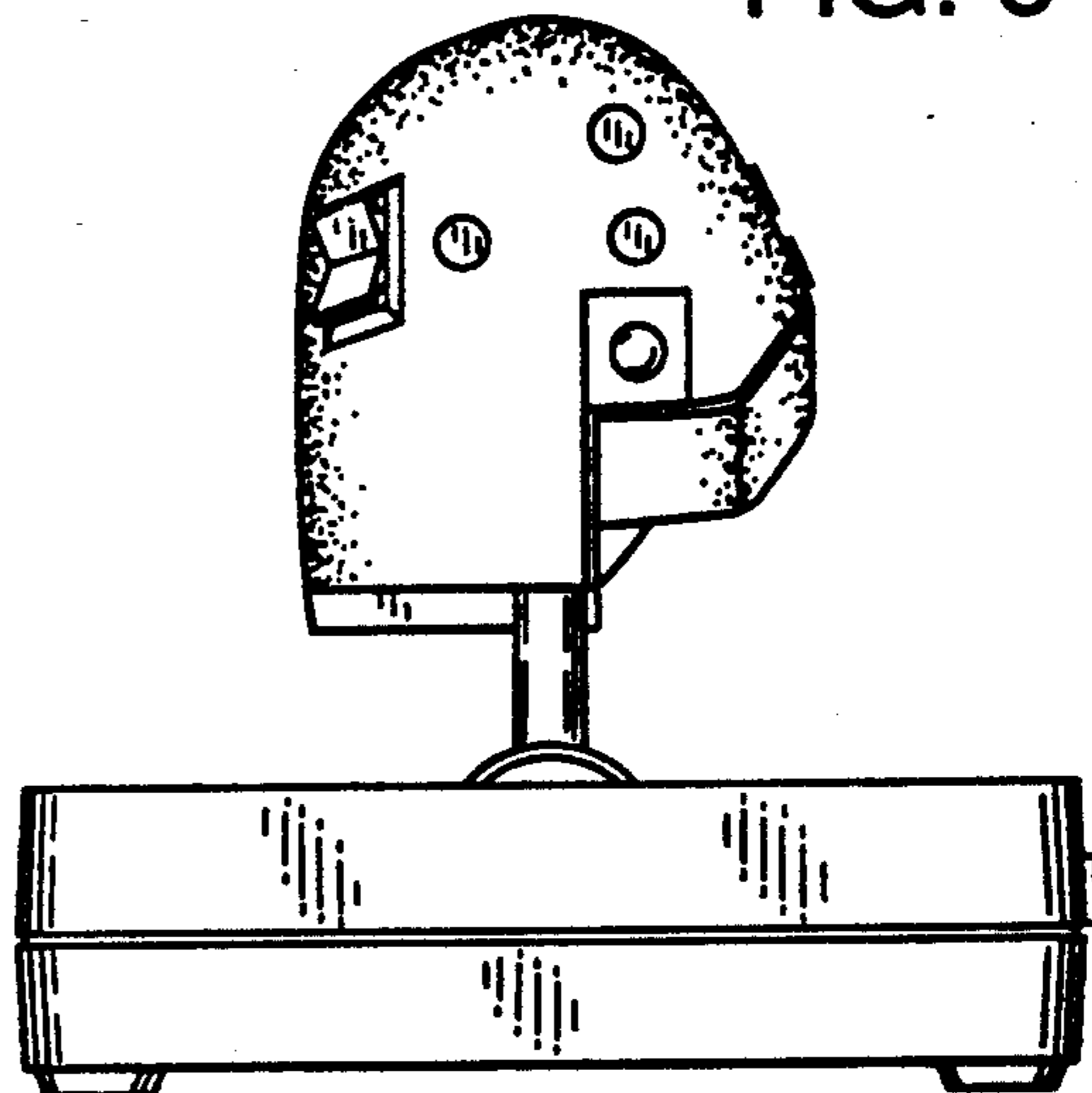


FIG. 7

