



US00D334412S

# United States Patent [19]

[11] Patent Number: Des. 334,412

Feer

[45] Date of Patent: \*\* Mar. 30, 1993

[54] LETTER TRAY

[75] Inventor: David L. Feer, Medina, Ohio

[73] Assignee: Rubbermaid Incorporated, Wooster, Ohio

[\*\*] Term: 14 Years

[21] Appl. No.: 600,974

[22] Filed: Oct. 22, 1990

[52] U.S. Cl. .... D19/92; D19/75; D19/86; D19/95

[58] Field of Search ..... D19/65, 75, 78, 86, D19/92, 95, 100; 206/215, 425, 371, 505-511, 555; 211/10, 11, 45, 50, 55, 126

[56] References Cited

U.S. PATENT DOCUMENTS

D. 158,444	5/1950	Converse .	
D. 188,832	9/1960	Staebell .	
D. 229,108	11/1973	Grosse .....	D19/92
D. 260,102	8/1981	Evans .....	D19/92
D. 261,904	11/1981	Polhemus .	
D. 274,066	5/1984	Evenson .	
D. 274,067	5/1984	Evenson .	
D. 289,061	3/1987	Klodt .	
D. 294,601	3/1988	Klodt .	
D. 295,638	5/1988	Evenson .	
D. 296,706	7/1988	Evans .....	D19/92
D. 302,177	7/1989	Evenson .	
D. 302,703	8/1989	Foran .	
D. 309,918	8/1990	Evenson .	
D. 311,931	11/1990	Evenson .....	D19/92
D. 314,398	2/1991	Aaldenberg et al. ....	D19/92
1,408,026	2/1922	Ochiltree .	
2,858,016	10/1958	Marano .	
4,074,810	2/1978	Juergens et al. .	
4,353,470	10/1982	Polhemus .	
4,785,939	11/1988	Huerto et al. .	
4,907,703	3/1990	Alger et al. .	

OTHER PUBLICATIONS

Pp. 4, 6, 8, 12, 20, 22, 24, 26 and 30, MacDonald Prod-

ucts Corp., 2685 Walden Avenue, Buffalo, New York 14225. Publication date unknown.

Sell Sheet, Tenex Corporation, 1950 E. Estes Avenue, Elk Grove Village, Illinois 60007-5471. Publication date unknown.

Catalog Page, Park Sherman, A Division of Ketcham & McDougall Inc., 465 Eagle Rock Avenue, Roseland, New Jersey 07068. Publication date 1987-1988.

Pp. 4, 5, 6, 7, 8, 9, 11 and 12, Eldon Office Products, P.O. Box 22667, Long Beach, California 90801-5667. Publication date unknown.

Pp. 9, 13 and 19, Eldon Office Products, P.O. Box 22667, Long Beach, California 90801-5667. Publication date 1988.

Catalog Page, MicroComputer Accessories Inc., 5405 Jancy Place, P.O. Box 66911, Los Angeles, California 90066-0911. Publication date Apr. 1989.

Pp. 5, 7, and 8, Rubbermaid Commercial Products Inc., 3124 Valley Avenue, Winchester, Virginia 22601. Publication date 1986.

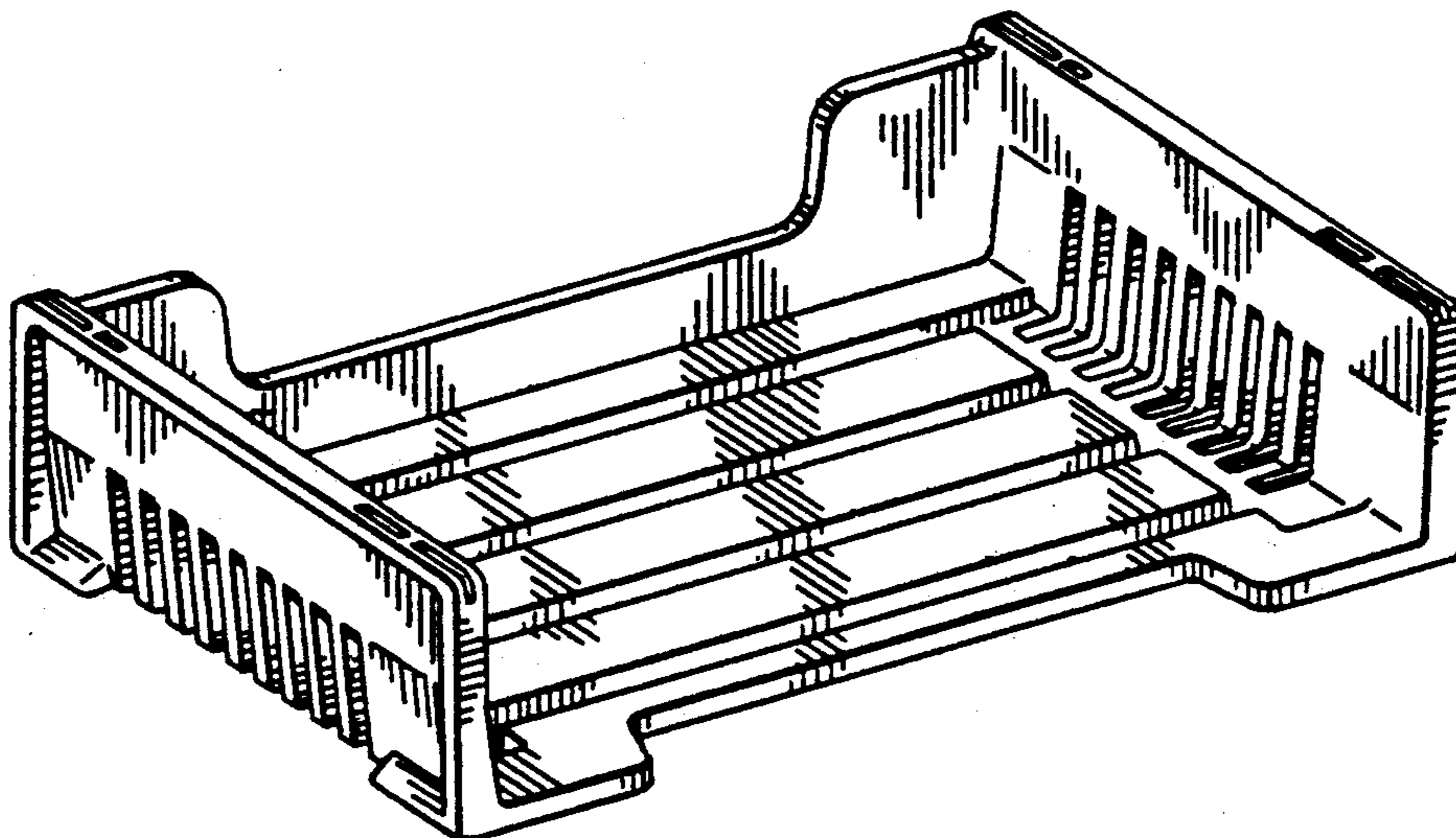
Primary Examiner—Nelson C. Holtje  
Assistant Examiner—Martha Thompson  
Attorney, Agent, or Firm—Richard B. O'Planick

[57] CLAIM

The ornamental design for a letter tray, as shown and described.

DESCRIPTION

FIG. 1 is a top, left front perspective view of a letter tray showing my new design; FIG. 2 is a side elevational view, the opposite side being a mirror image thereof; FIG. 3 is a top plan view; FIG. 4 is a front elevational view; FIG. 5 is a bottom plan view; and, FIG. 6 is a rear elevational view thereof. FIGS. 2 through 6 have been drawn to an enlarged scale with respect to FIG. 1.



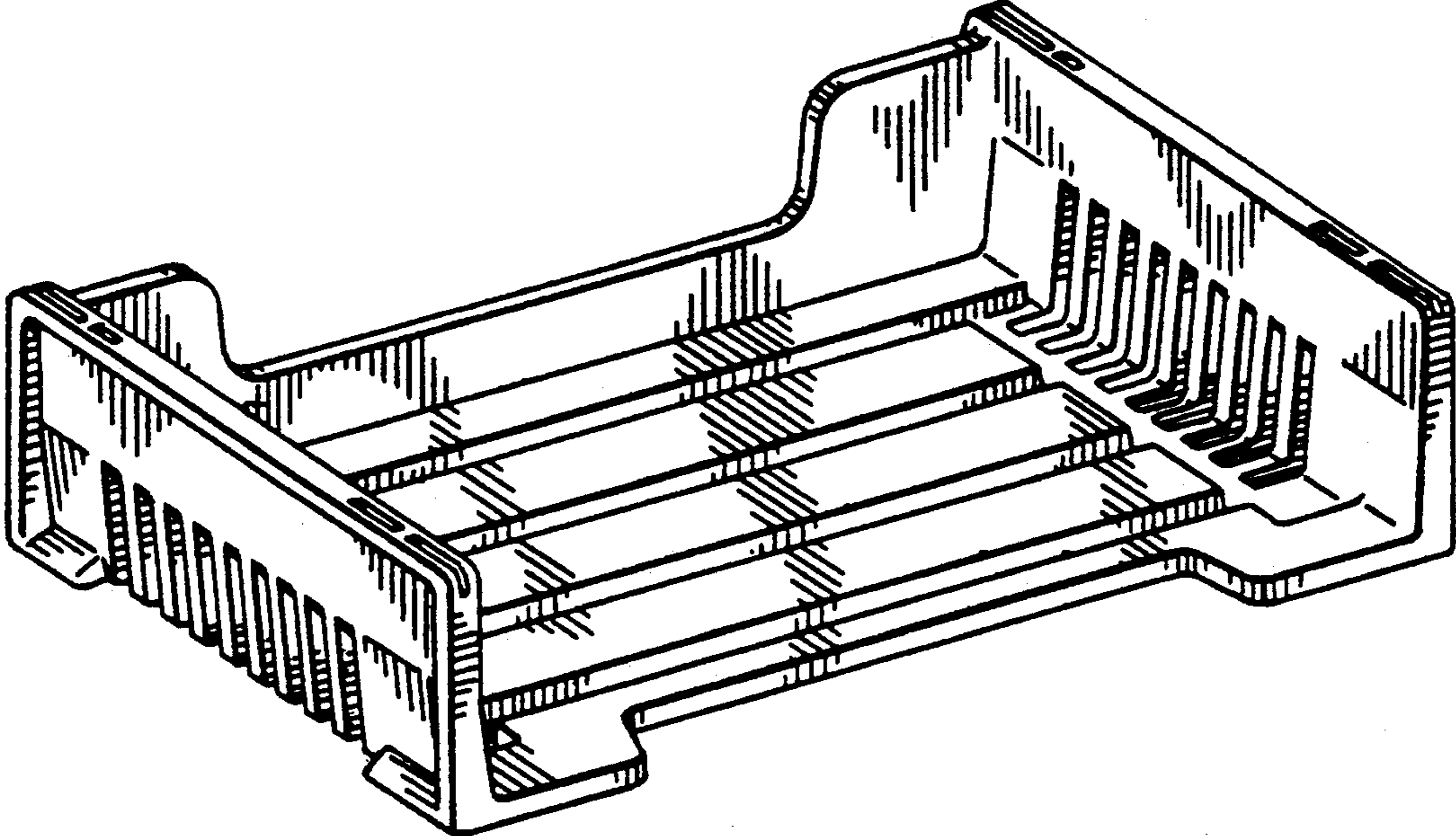


FIG. 1

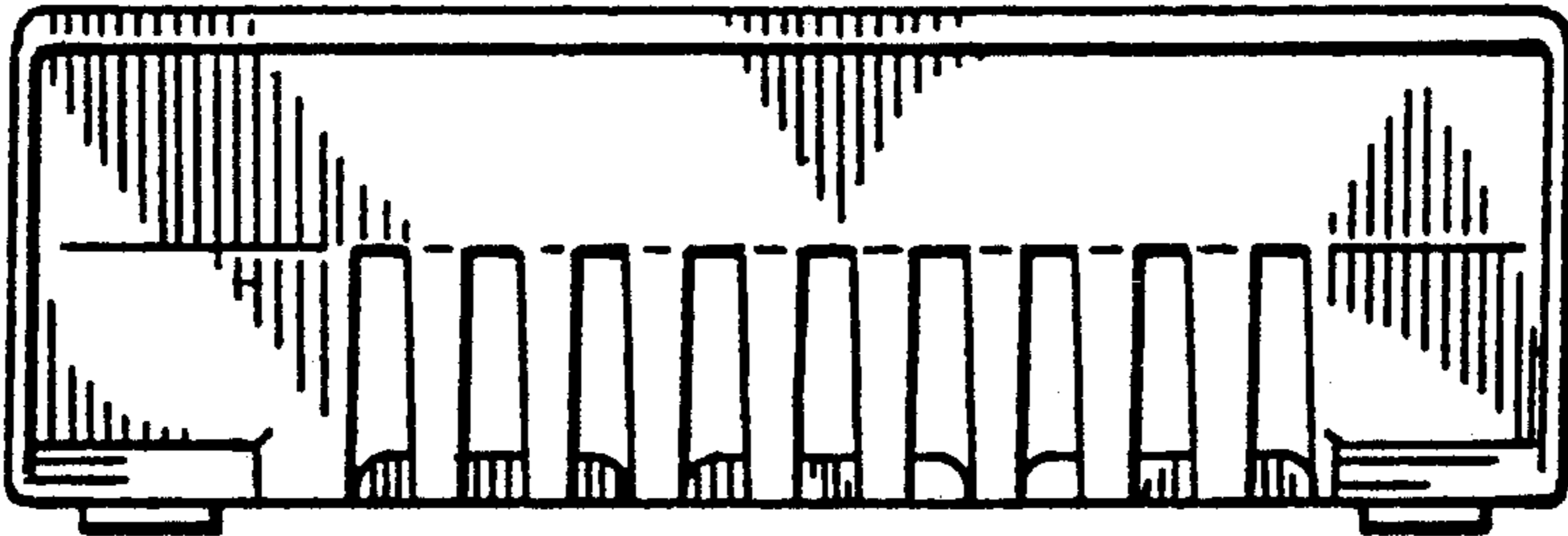


FIG. 2

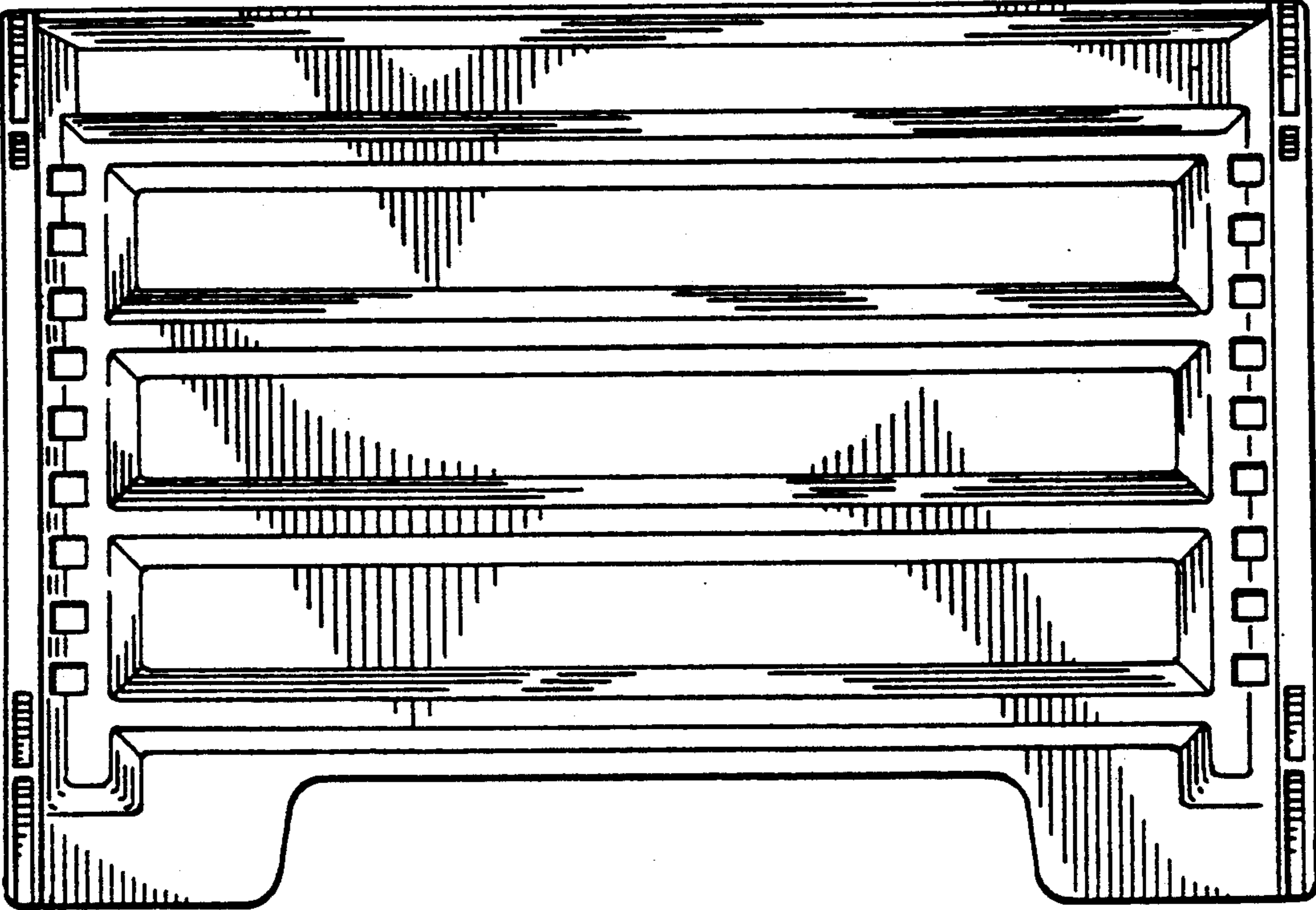


FIG. 3

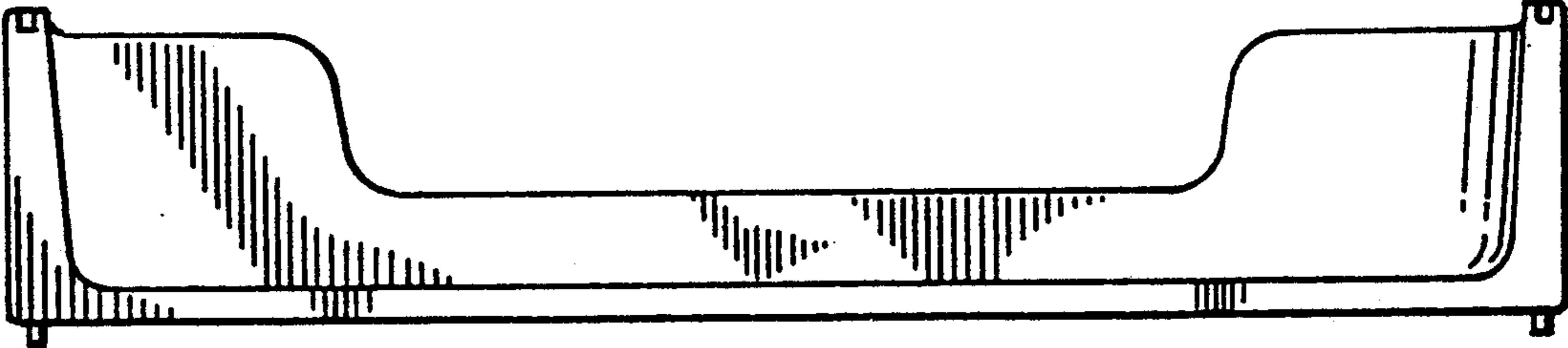


FIG. 4

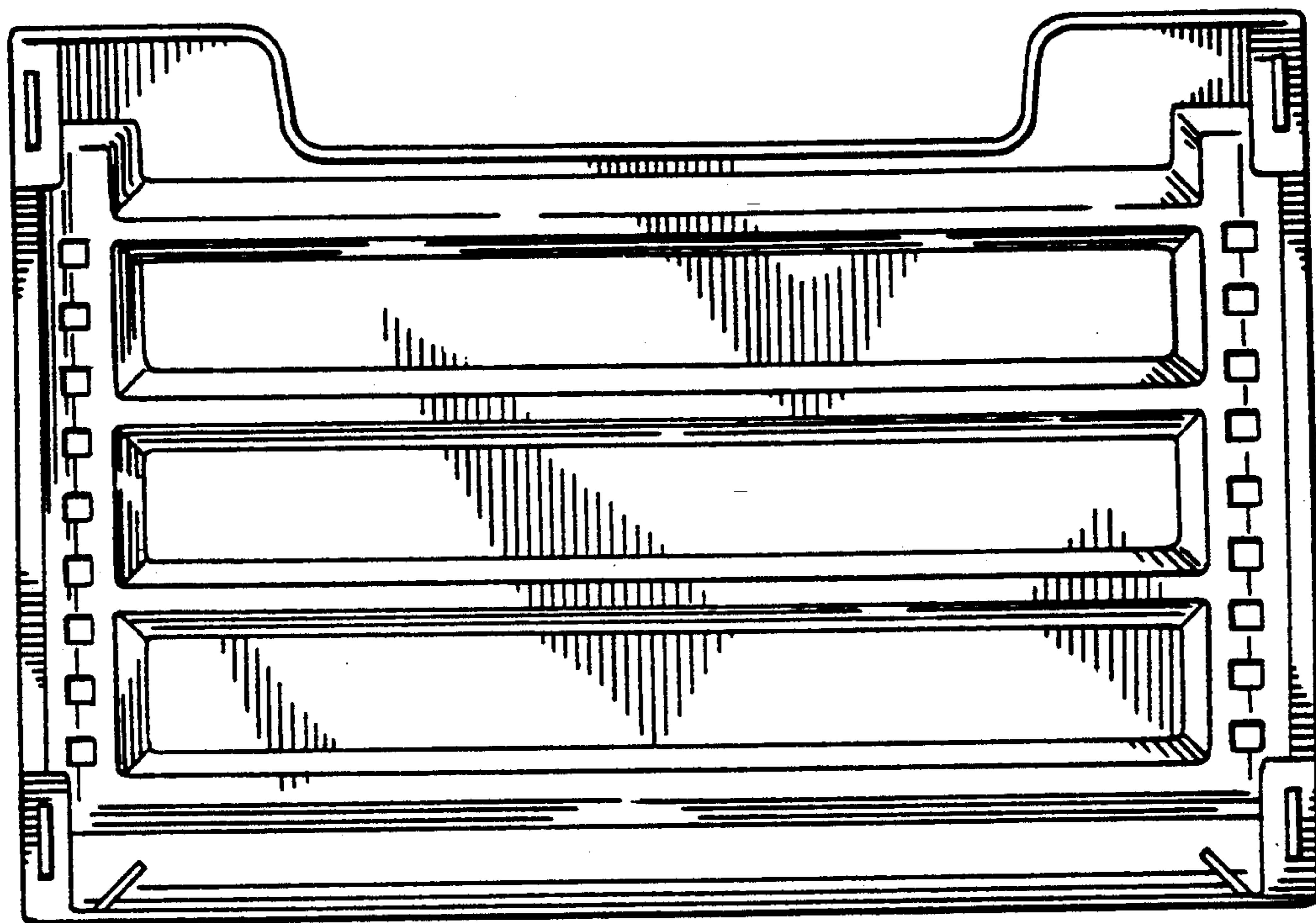


FIG. 5

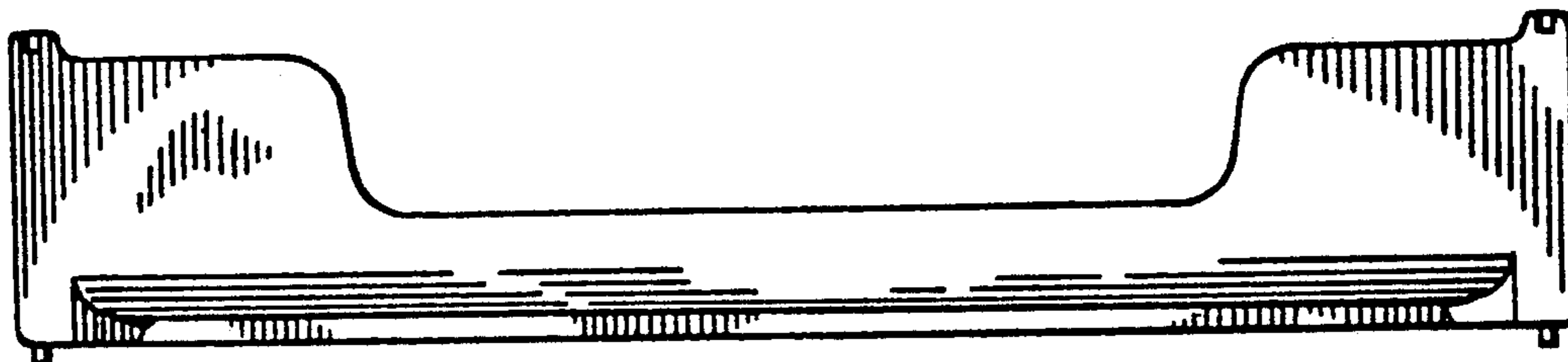


FIG. 6