



US00D334409S

# United States Patent [19]

[11] Patent Number: **Des. 334,409**

**Harper**

[45] Date of Patent: **\*\* Mar. 30, 1993**

[54] AIRCRAFT SIMULATOR

[56] References Cited

[75] Inventor: **Stephen J. Harper, Balsall Common, United Kingdom**

### U.S. PATENT DOCUMENTS

D. 283,517 4/1986 Khachatoorian et al. .... D19/63  
2,526,371 10/1950 Laughead et al. .... 446/7  
4,269,596 5/1981 D'Andrade ..... 446/7

[73] Assignee: **Rediffusion Simulation Limited, Sussex, United Kingdom**

*Primary Examiner*—Kay H. Chin  
*Attorney, Agent, or Firm*—Nixon & Vanderhye

[\*\*] Term: **14 Years**

[57] CLAIM

The ornamental design for an aircraft simulator, as shown and described.

[21] Appl. No.: **661,374**

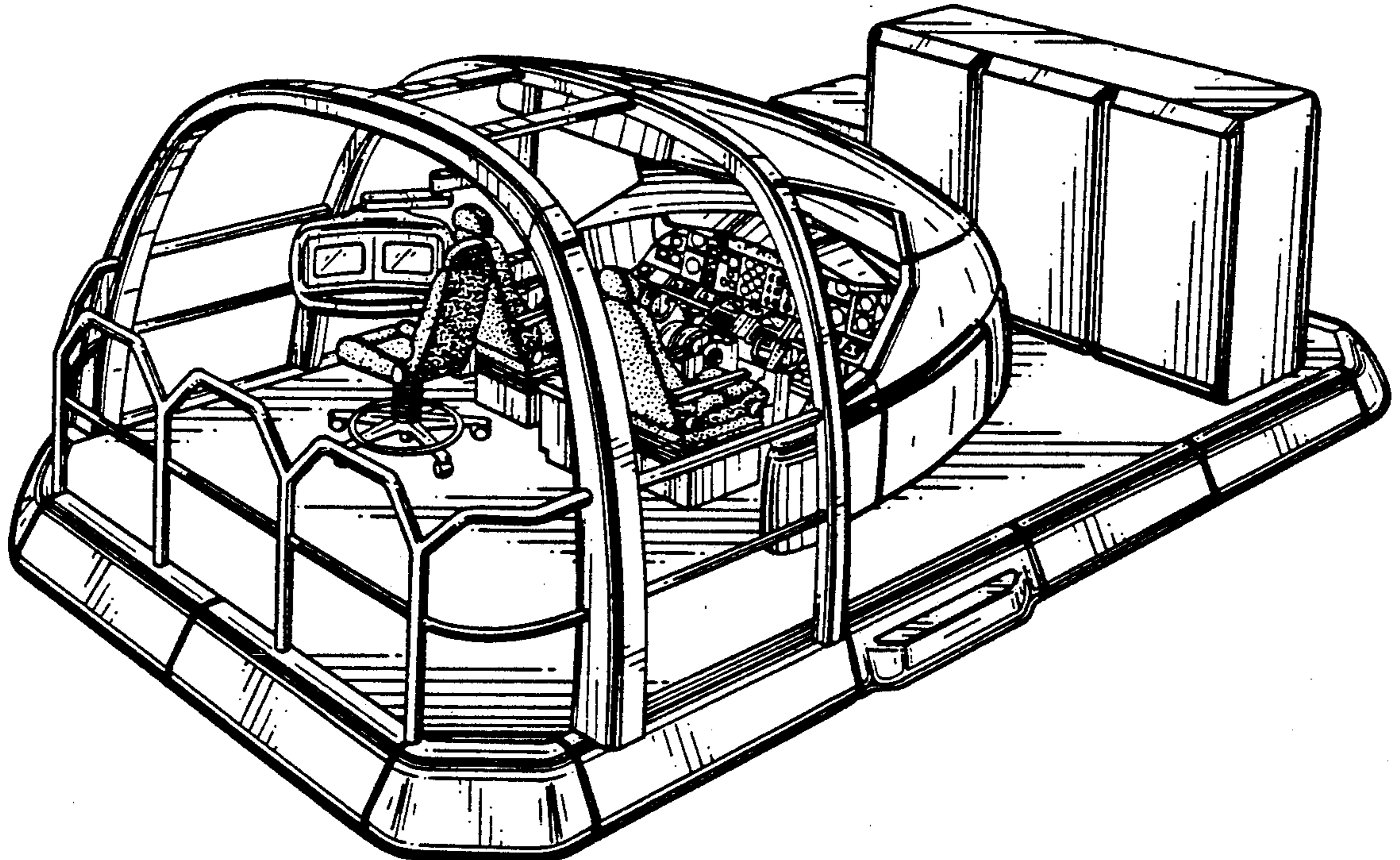
### DESCRIPTION

[22] Filed: **Feb. 28, 1991**

FIG. 1 is a side elevational view of an aircraft simulator showing my new design, the opposite side elevational view being a mirror image of that shown; FIG. 2 is a top plan thereof; FIG. 3 is a rear elevational view thereof; FIG. 4 is a front elevational view thereof; FIG. 5 is a bottom plan view thereof; and, FIG. 6 is a top, left side and rear perspective view thereof.

[30] Foreign Application Priority Data

Aug. 31, 1990 [GB] United Kingdom ..... 2009359  
[52] U.S. Cl. .... D19/63; D12/319  
[58] Field of Search ..... D12/319, 325, 326, 1, D12/3, 5; 434/37; 446/7, 179; 273/434; D19/63



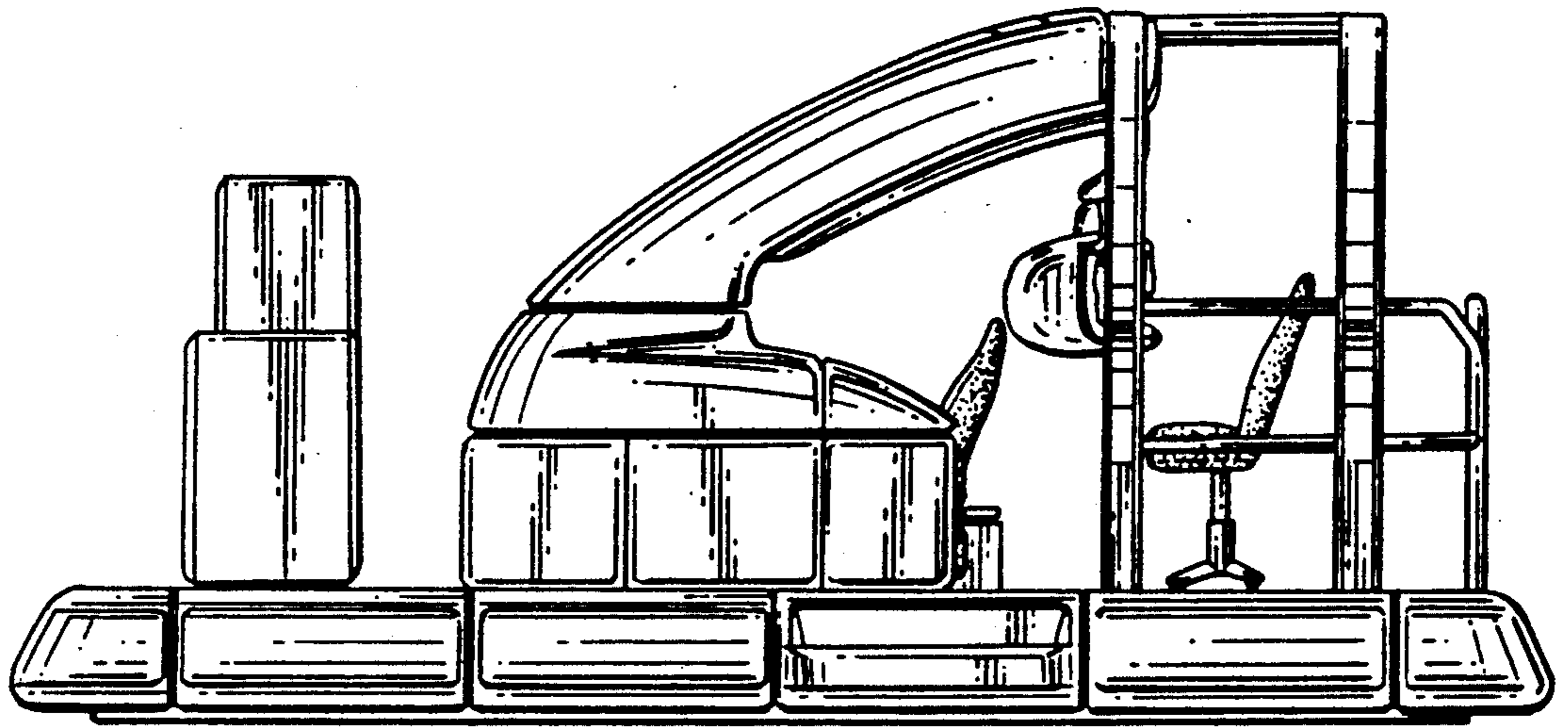


FIG. 1

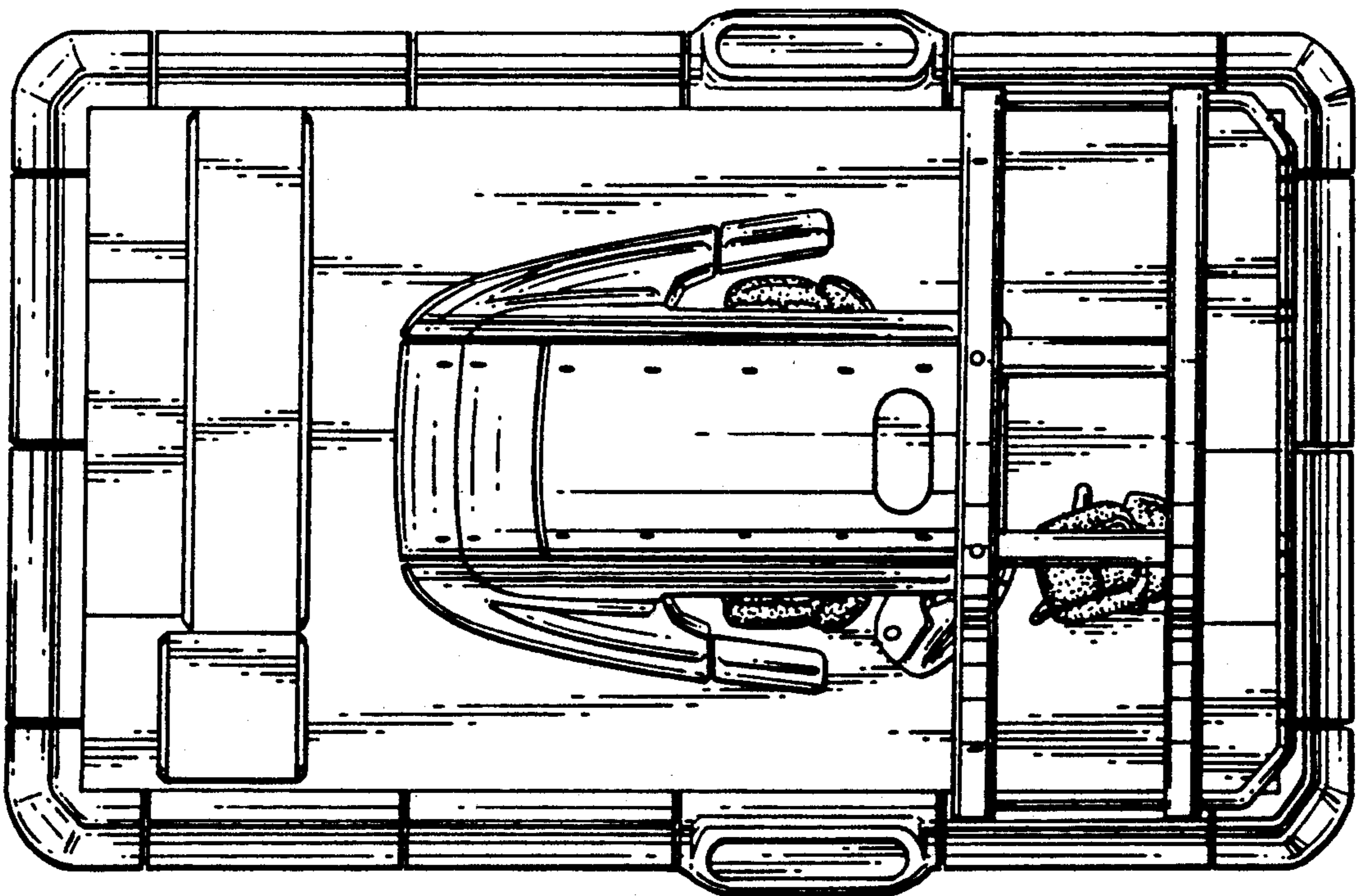
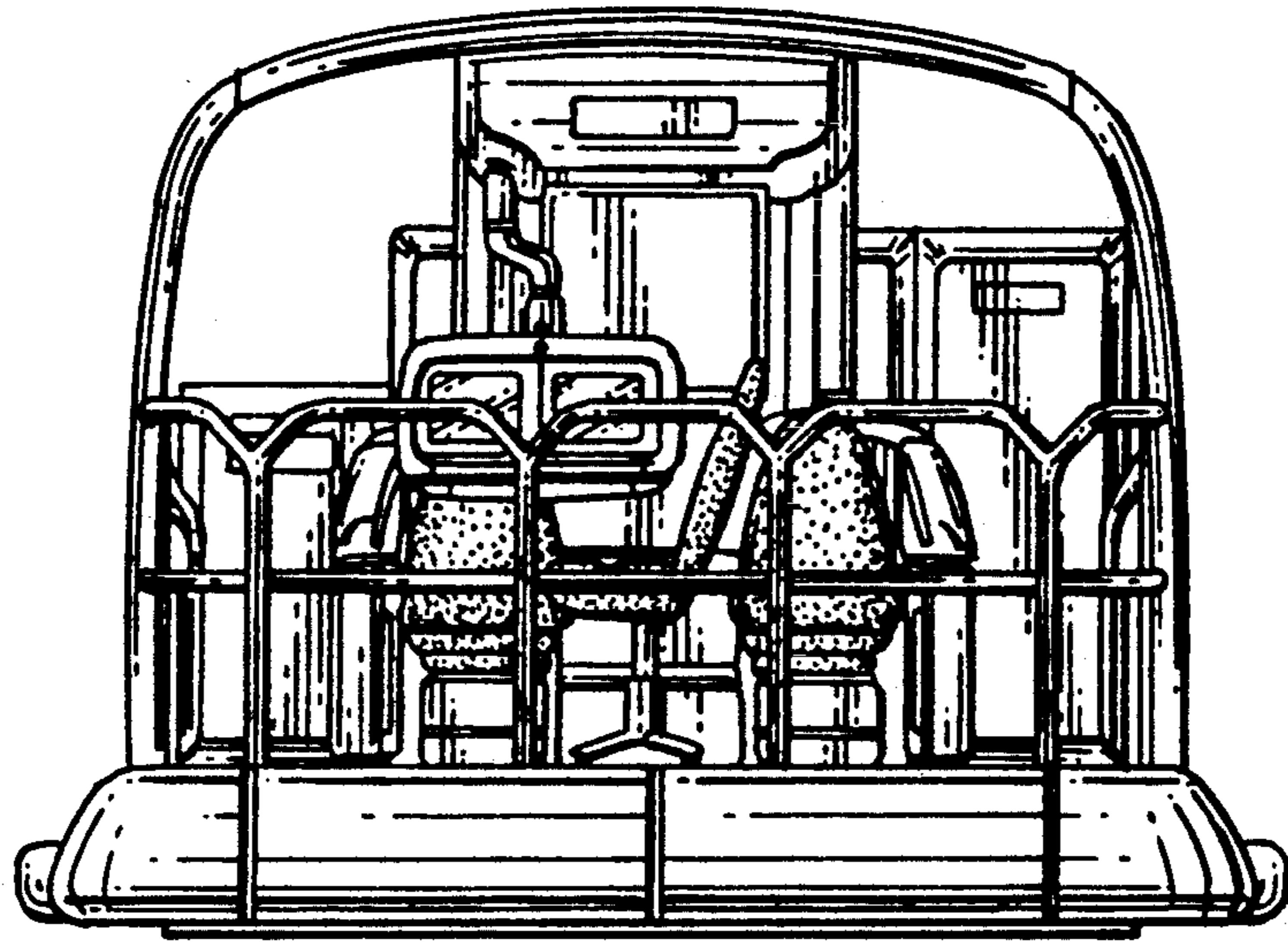
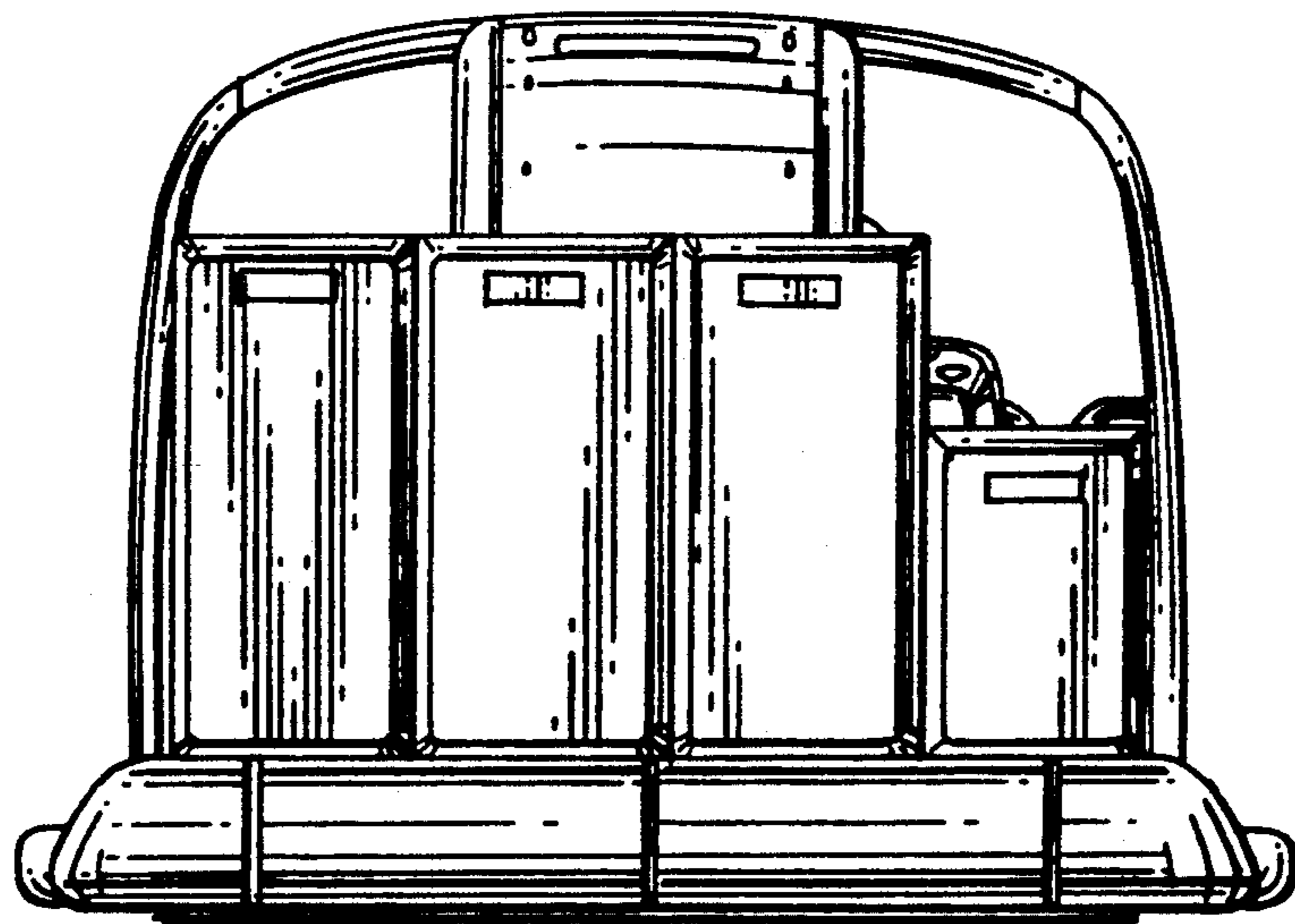


FIG. 2

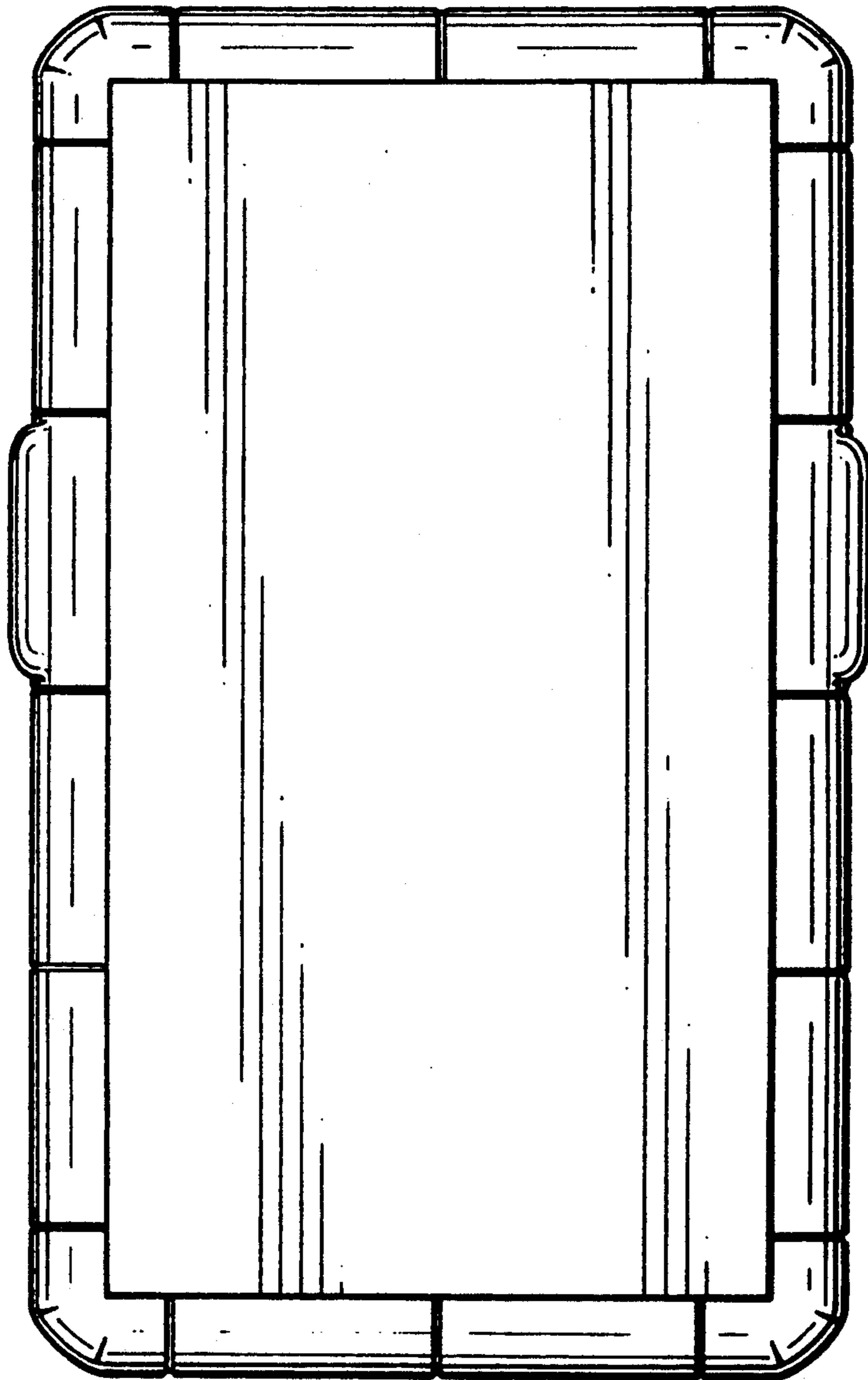


**FIG. 3**



**FIG. 4**





**FIG. 5**

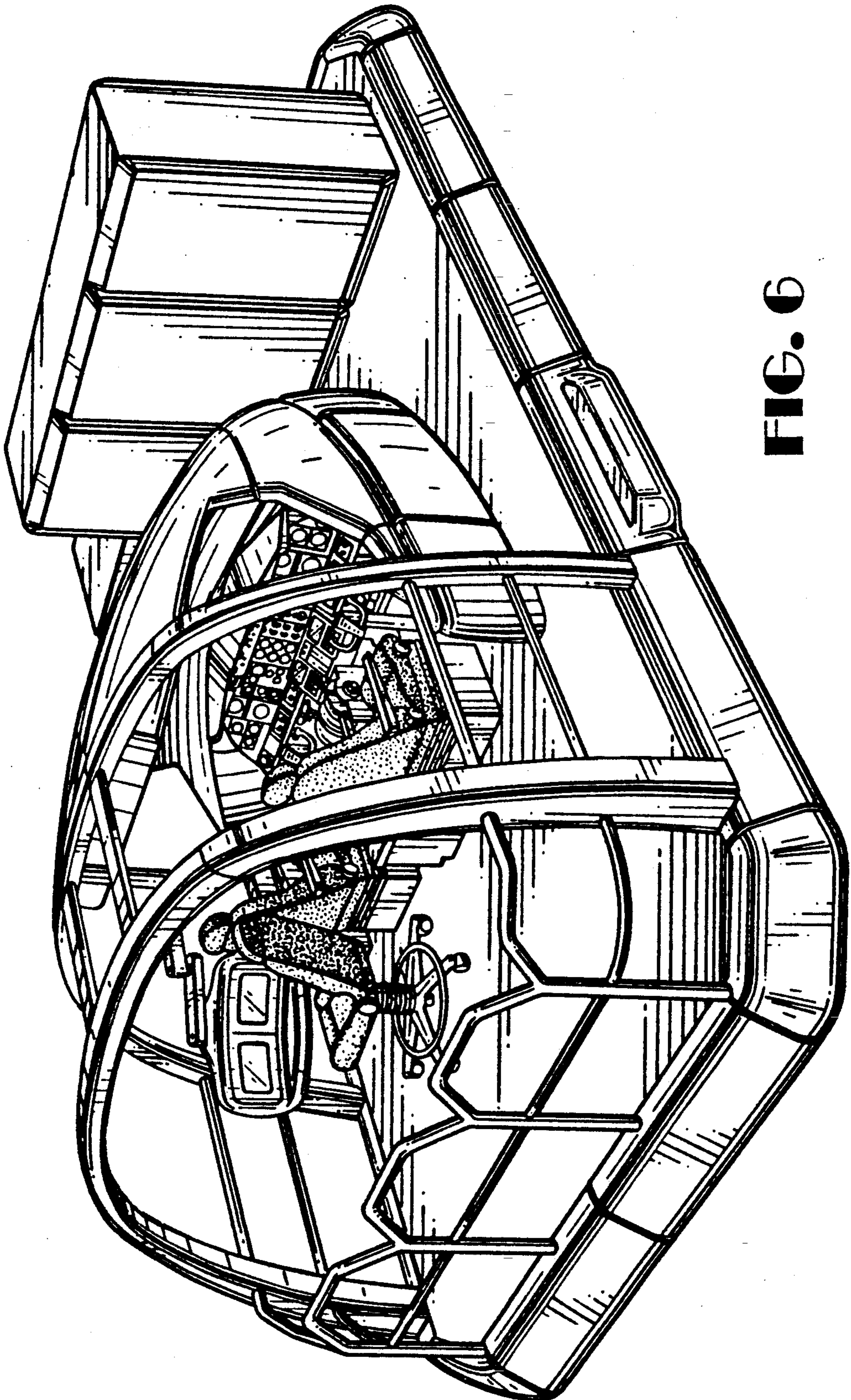


FIG. 6