



US00D334400S

United States Patent [19]

[11] Patent Number: **Des. 334,400**

Penke et al.

[45] Date of Patent: **** Mar. 30, 1993**

[54] COPIER WITH DOCUMENT HANDLER

[56] References Cited

[75] Inventors: **Mark S. Penke**, West Henrietta; **Robert E. Kalvitis**, Fairport; **William T. Clark III**, West Henrietta, all of N.Y.; **Marland Chow**, Oceanside, Calif.; **Hideyuki Matsubara**; **Hideji Kobashi**, both of Tokyo, Japan

U.S. PATENT DOCUMENTS

D. 268,345	3/1983	Robertson	D18/38
D. 270,537	9/1983	Hara	D18/38
D. 275,863	10/1984	Hawley et al.	D18/38
D. 280,629	9/1985	Goto et al.	D18/38
D. 296,901	7/1988	Kosako et al.	D18/39
D. 307,158	4/1990	Perry	D18/38
D. 312,267	11/1990	Biggs et al.	D18/38

[73] Assignee: **Xerox Corporation**, Stamford, Conn.

Primary Examiner—Alan P. Douglas
Assistant Examiner—Ann Hunt

[**] Term: **14 Years**

[57] CLAIM

[21] Appl. No.: **766,156**

The ornamental design for a copier with document handler, as shown.

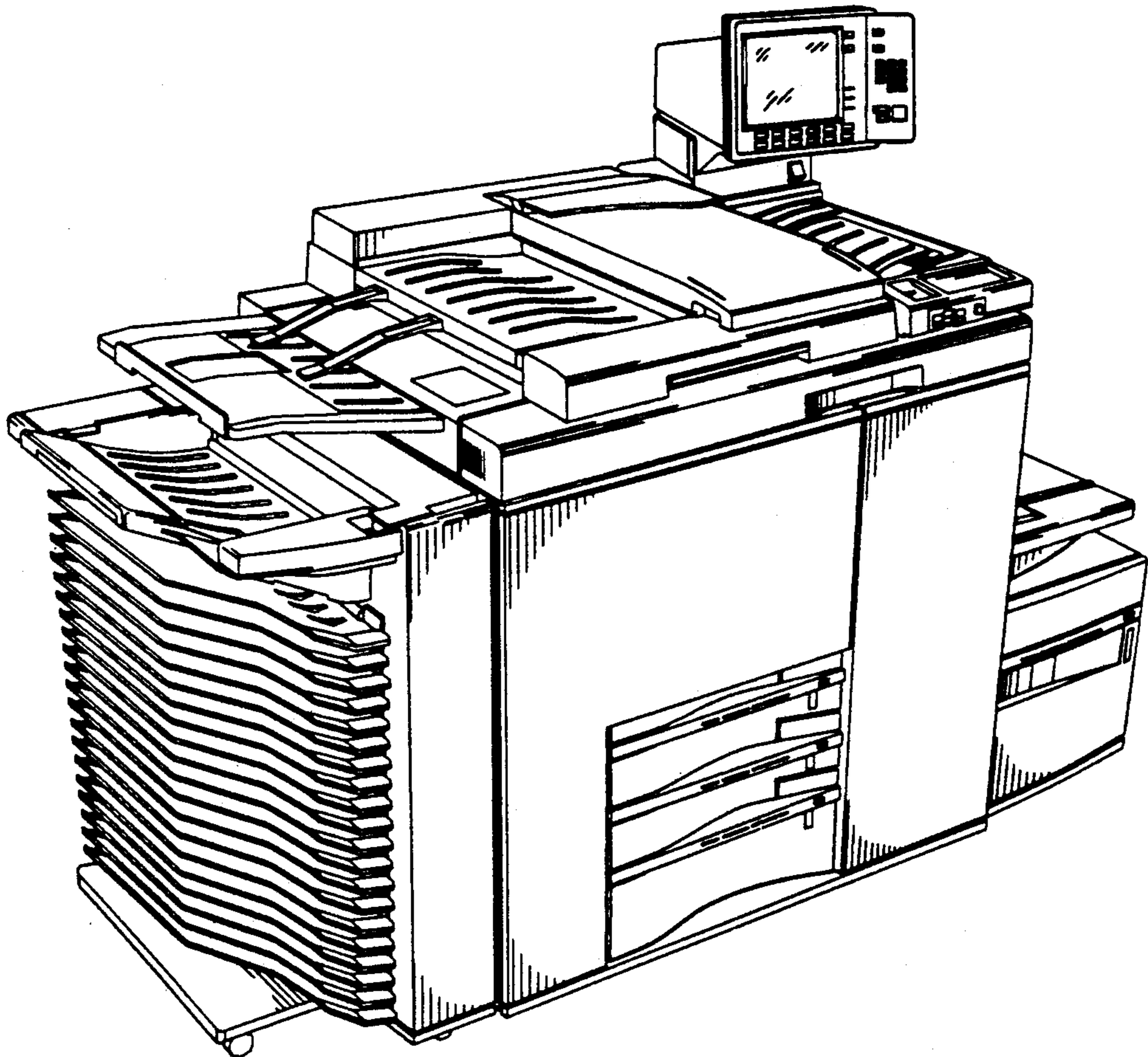
[22] Filed: **Sep. 27, 1991**

DESCRIPTION

[52] U.S. Cl. **D18/39**

[58] Field of Search **D18/36-39, D18/46-49, 50, 53; D14/111, 112, 116, 118; 355/43-45, 49-51, 66, 112, 200, 210, 231-236, 245, 326-328; 346/108, 153.1, 160; 354/5, 6, 14, 100**

FIG. 1 is a frontal perspective view of a copier with document handler showing our new design; **FIG. 2** is a front view; **FIG. 3** is a right side view; **FIG. 4** is a rear view; **FIG. 5** is a left side view; and, **FIG. 6** is a top view.



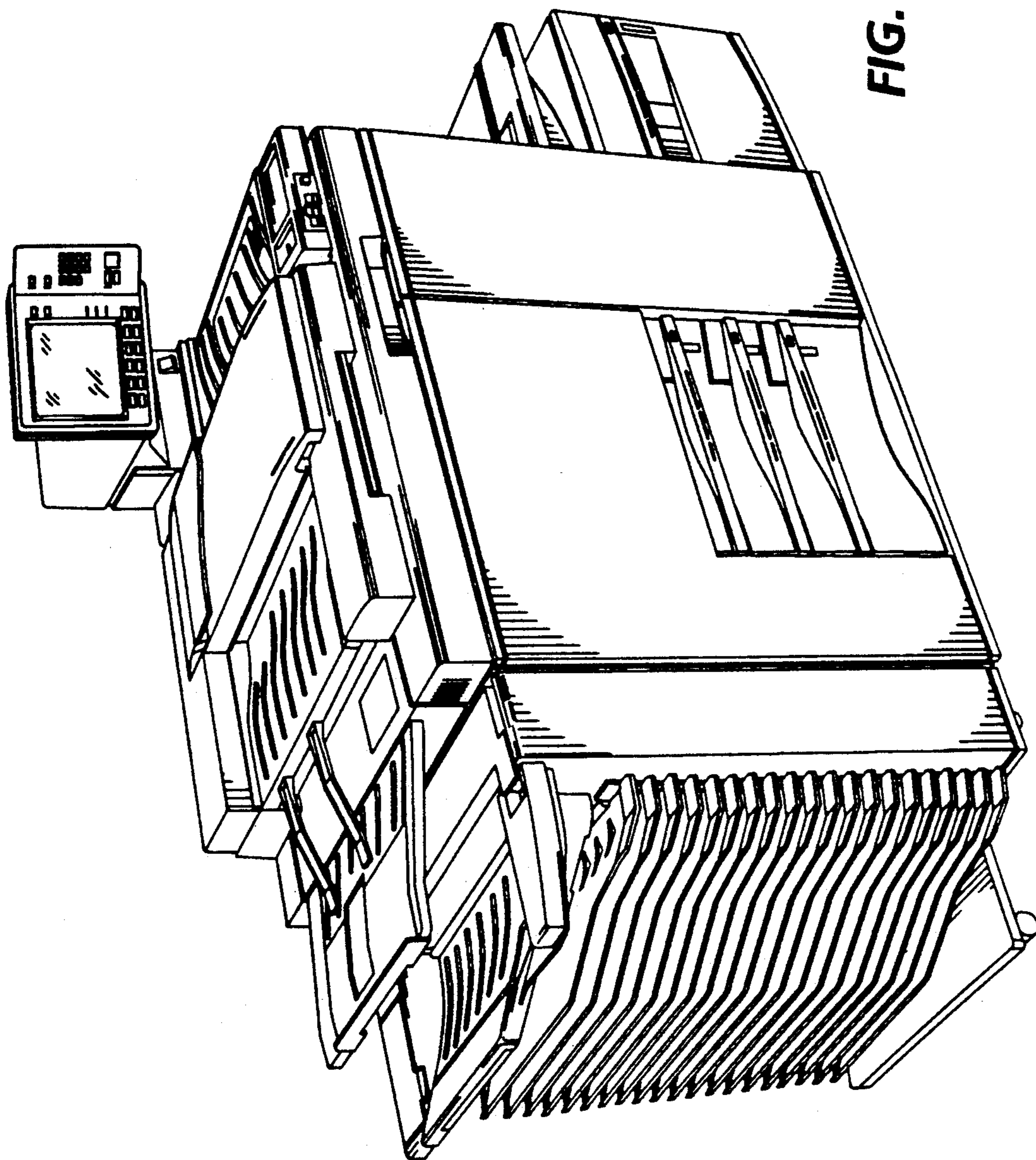


FIG. 1

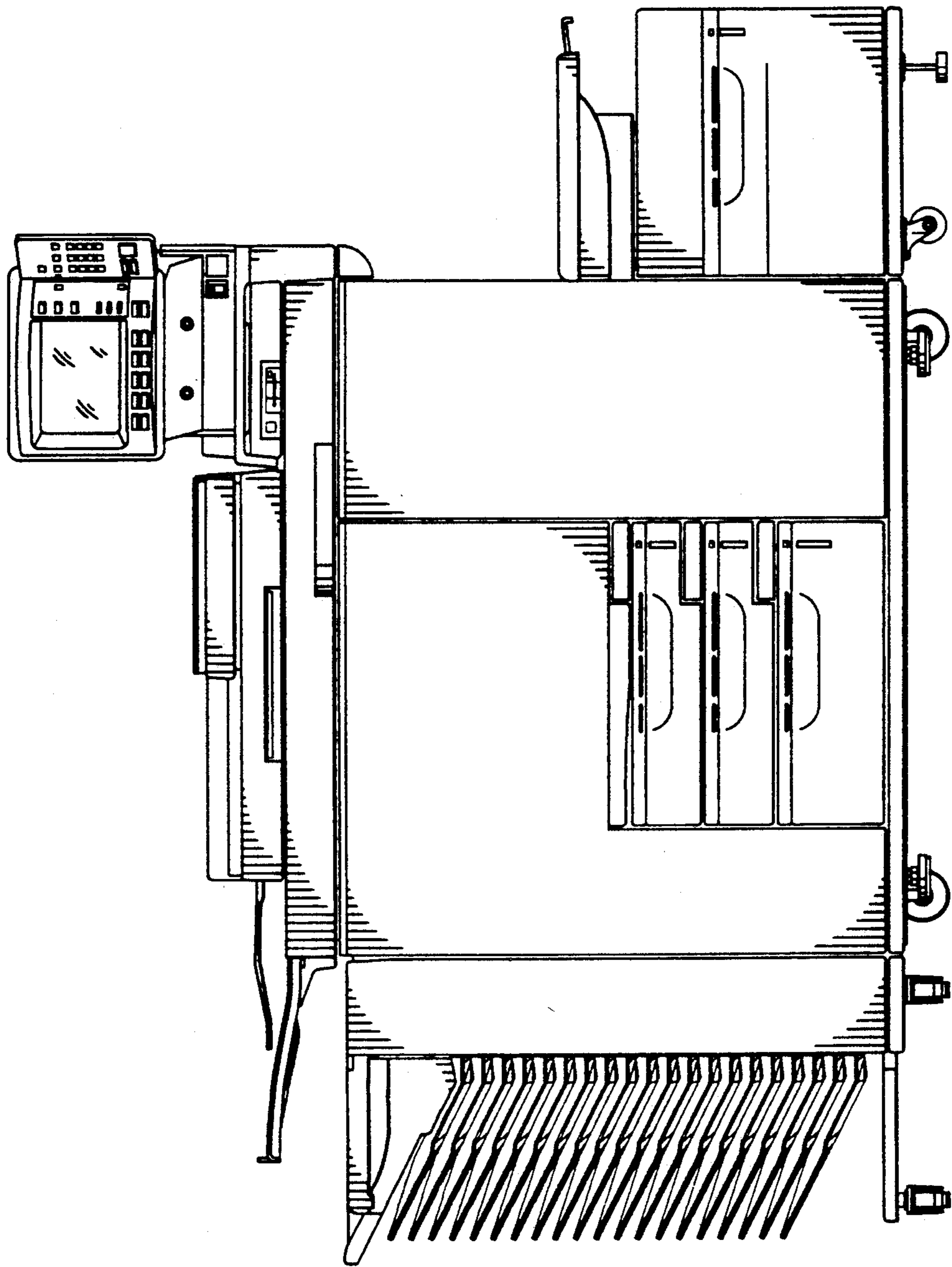


FIG. 2

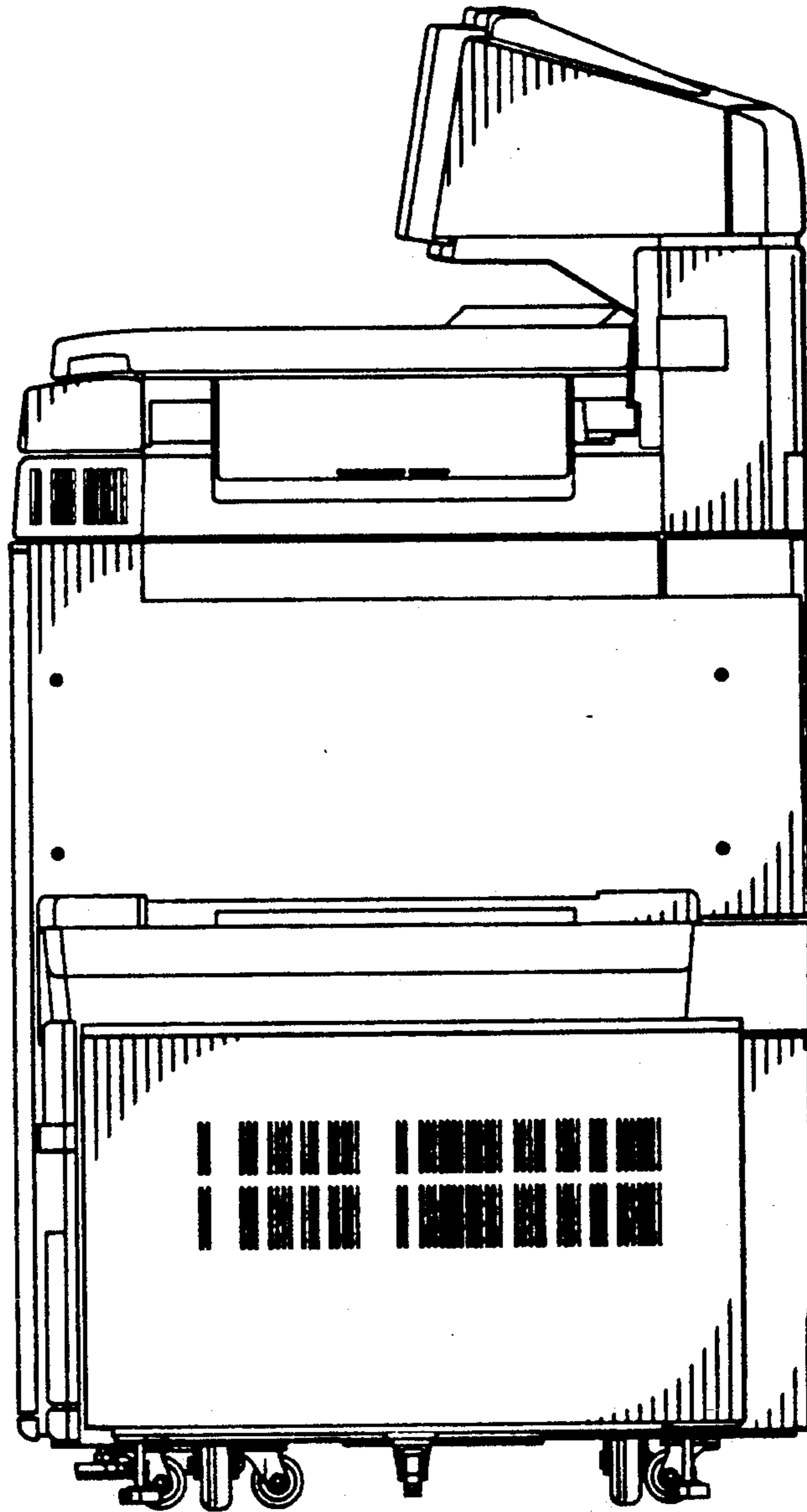


FIG. 3

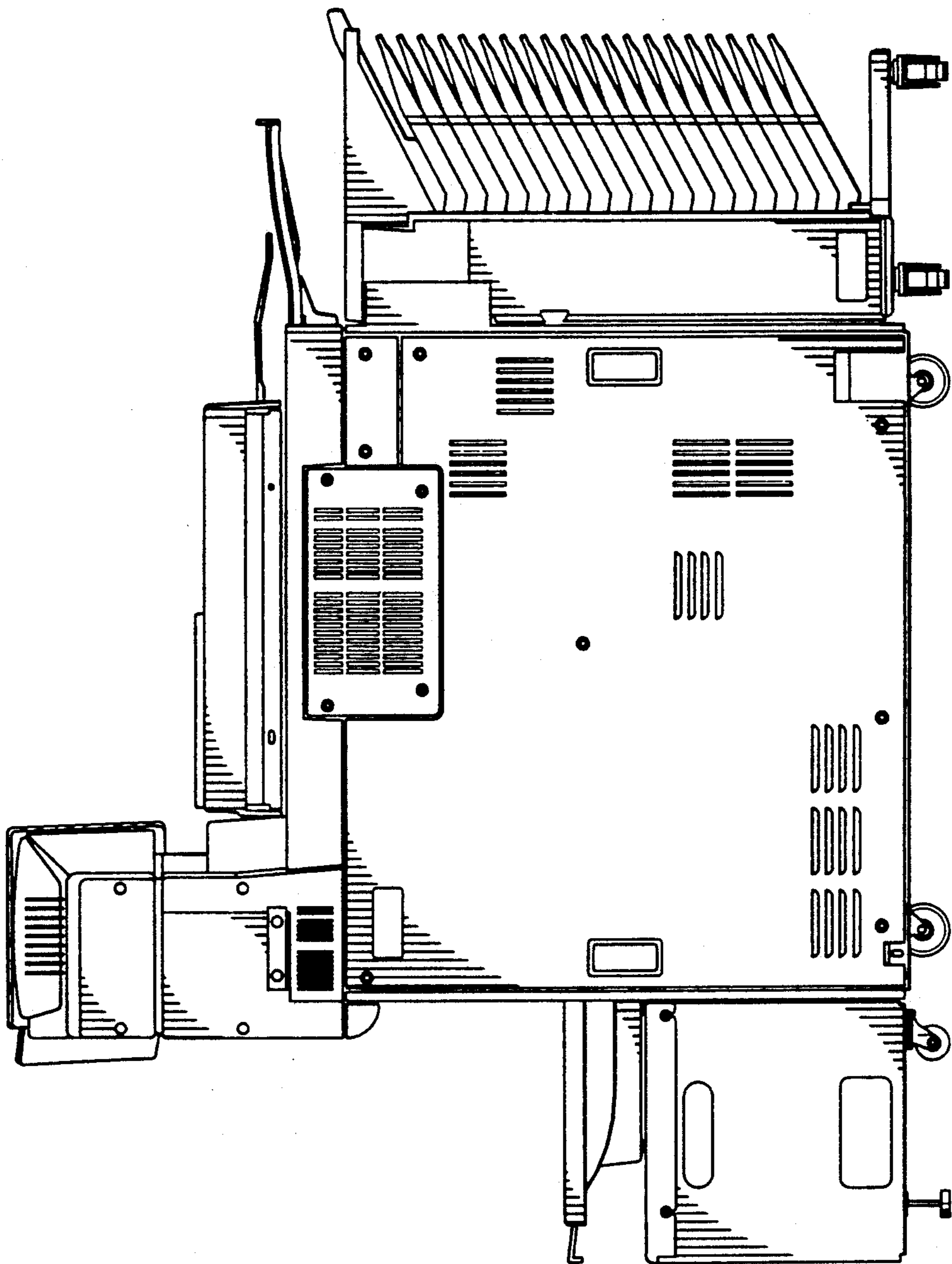


FIG. 4

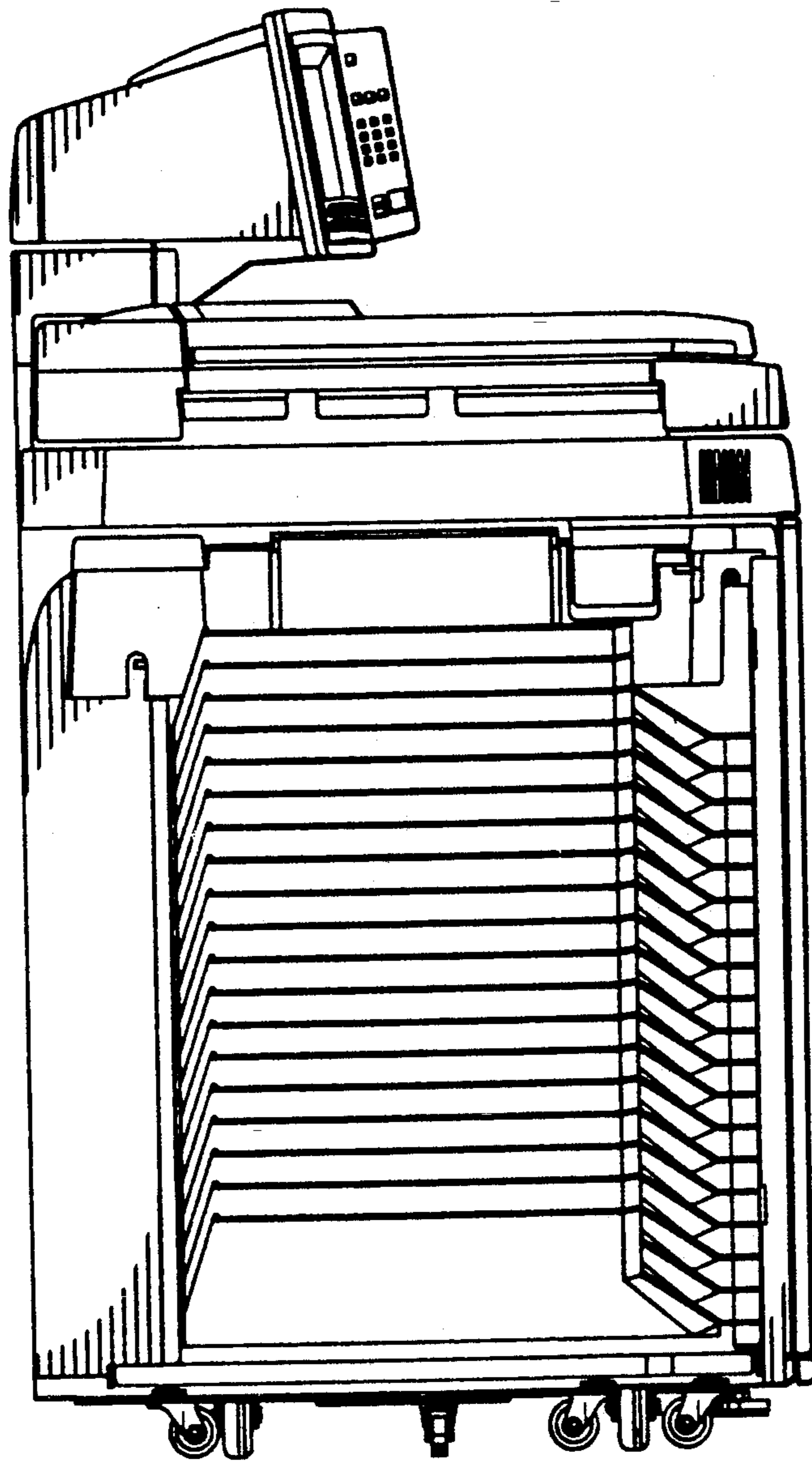


FIG. 5

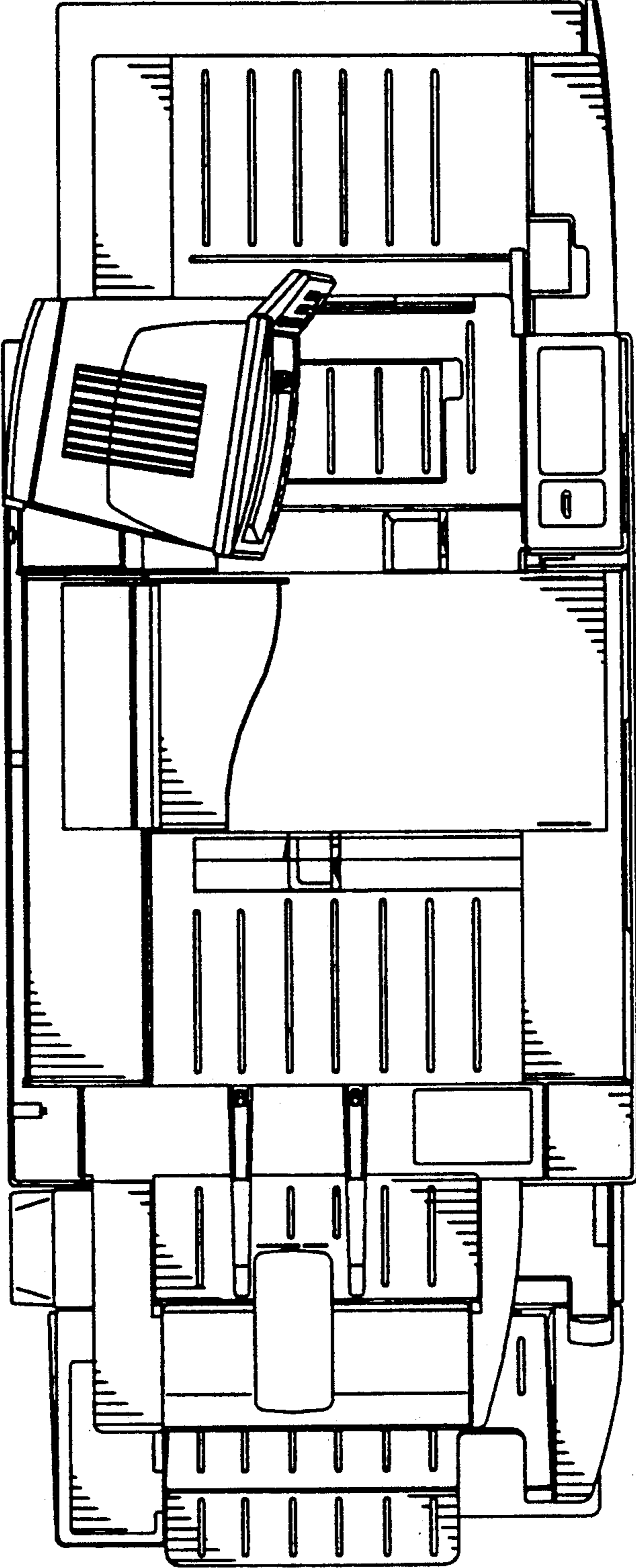


FIG. 6