



US00D334388S

United States Patent [19]

Wixey et al.

[11] Patent Number: **Des. 334,388**

[45] Date of Patent: **** Mar. 30, 1993**

- [54] **COMBINATION BENCH ROUTER AND SHAPER**
- [75] Inventors: **Barry D. Wixey, Pittsburgh; Kenneth Kapton, Verona; both of Pa.**
- [73] Assignee: **Delta International Machinery Corp., Pittsburgh, Pa.**
- [**] Term: **14 Years**
- [21] Appl. No.: **595,892**
- [22] Filed: **Oct. 16, 1990**
- [52] U.S. Cl. **D15/131**
- [58] Field of Search **D15/124, 125, 126, 127, D15/128, 129, 130, 131; 82/142; 83/483; 144/253 J, 253 R, 286**

- 2,764,190 9/1956 Howard 83/438
- 2,771,103 11/1956 Odium et al. 83/438
- 4,556,094 12/1985 Willocks 144/253 J
- 4,696,213 9/1987 Conneally 83/438
- 4,848,203 7/1989 Brooks 83/438
- 4,893,661 1/1990 Onsrud 144/134

Primary Examiner—Alan P. Douglas
Assistant Examiner—Antoine D. Davis
Attorney, Agent, or Firm—Merchant, Gould, Smith, Edell, Welter & Schmidt

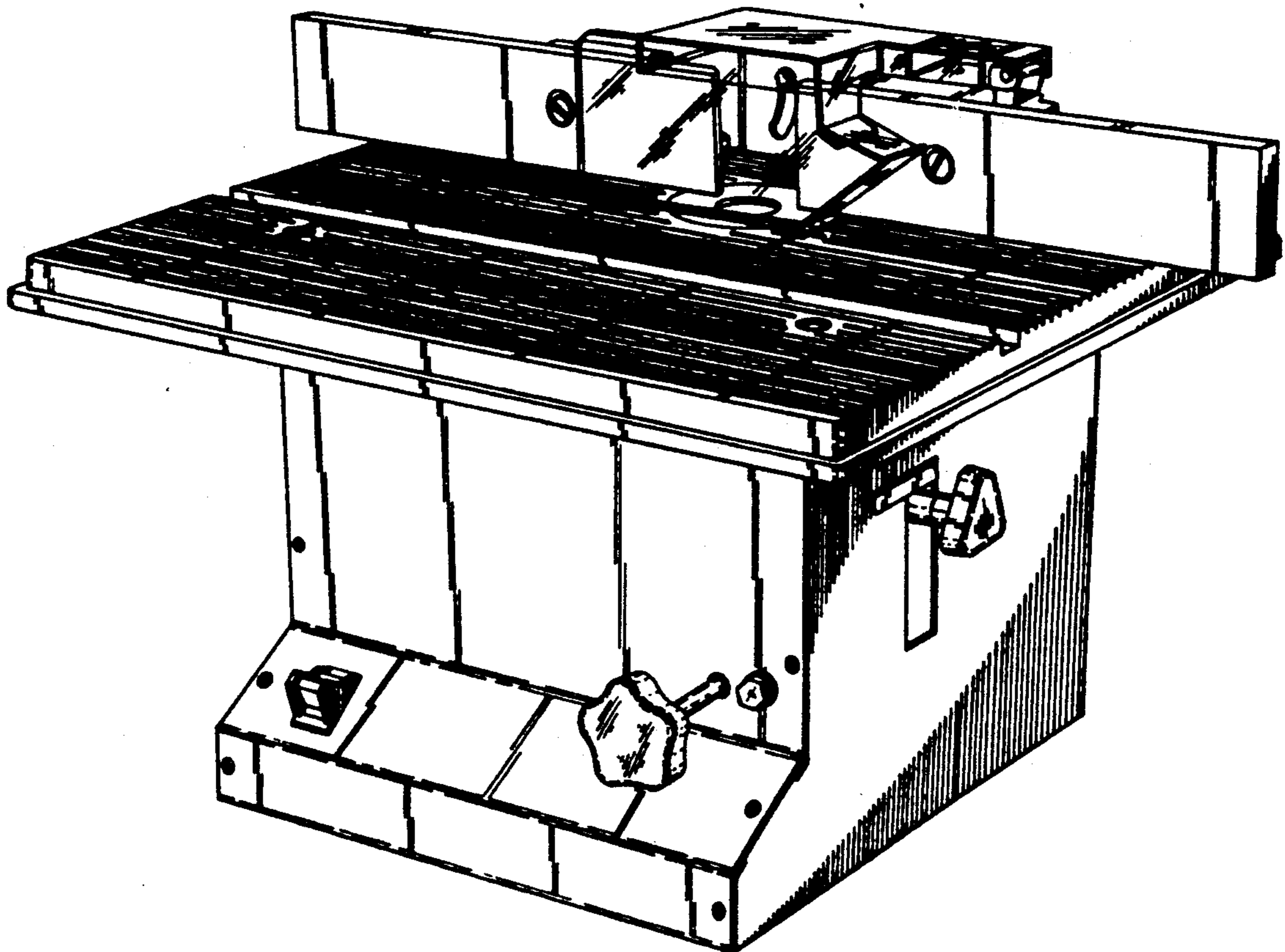
[57] CLAIM

The ornamental design for a combination bench router and shaper, as shown.

DESCRIPTION

FIG. 1 is a top, front and right side perspective view of a combination bench router and shaper showing our new design;
 FIG. 2 is a front elevational view;
 FIG. 3 is a rear elevational view;
 FIG. 4 is a top plan view;
 FIG. 5 is a right side elevational view; and,
 FIG. 6 is a left side elevational view thereof.

- [56] **References Cited**
- U.S. PATENT DOCUMENTS**
- D. 301,040 5/1989 Bemmani D15/131
- D. 301,718 6/1989 Wodli D15/131
- 2,210,135 8/1940 Tautz et al. 74/611
- 2,353,202 7/1944 Tautz 144/134
- 2,744,549 5/1956 Johnson 83/438



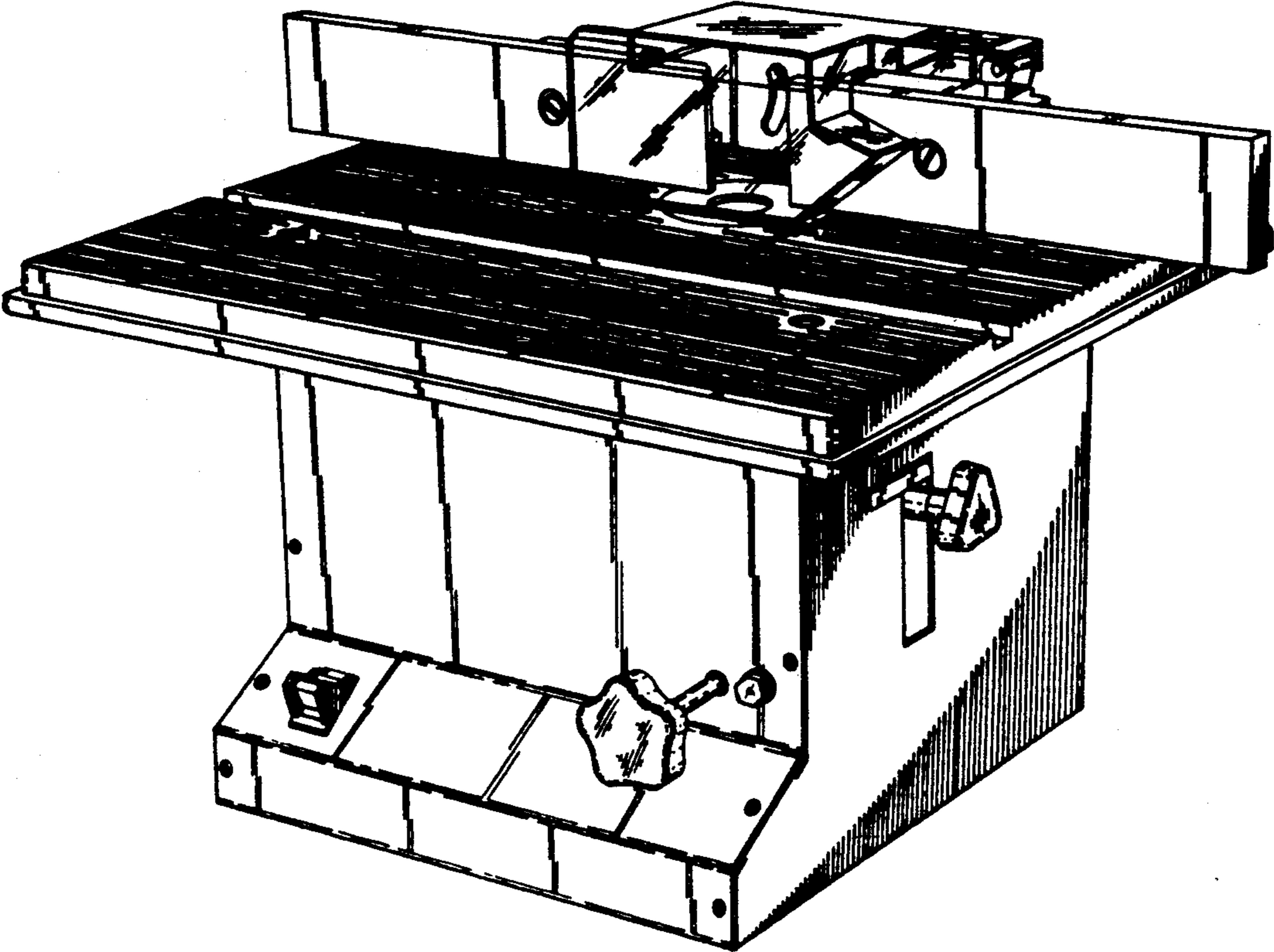


FIG. 1

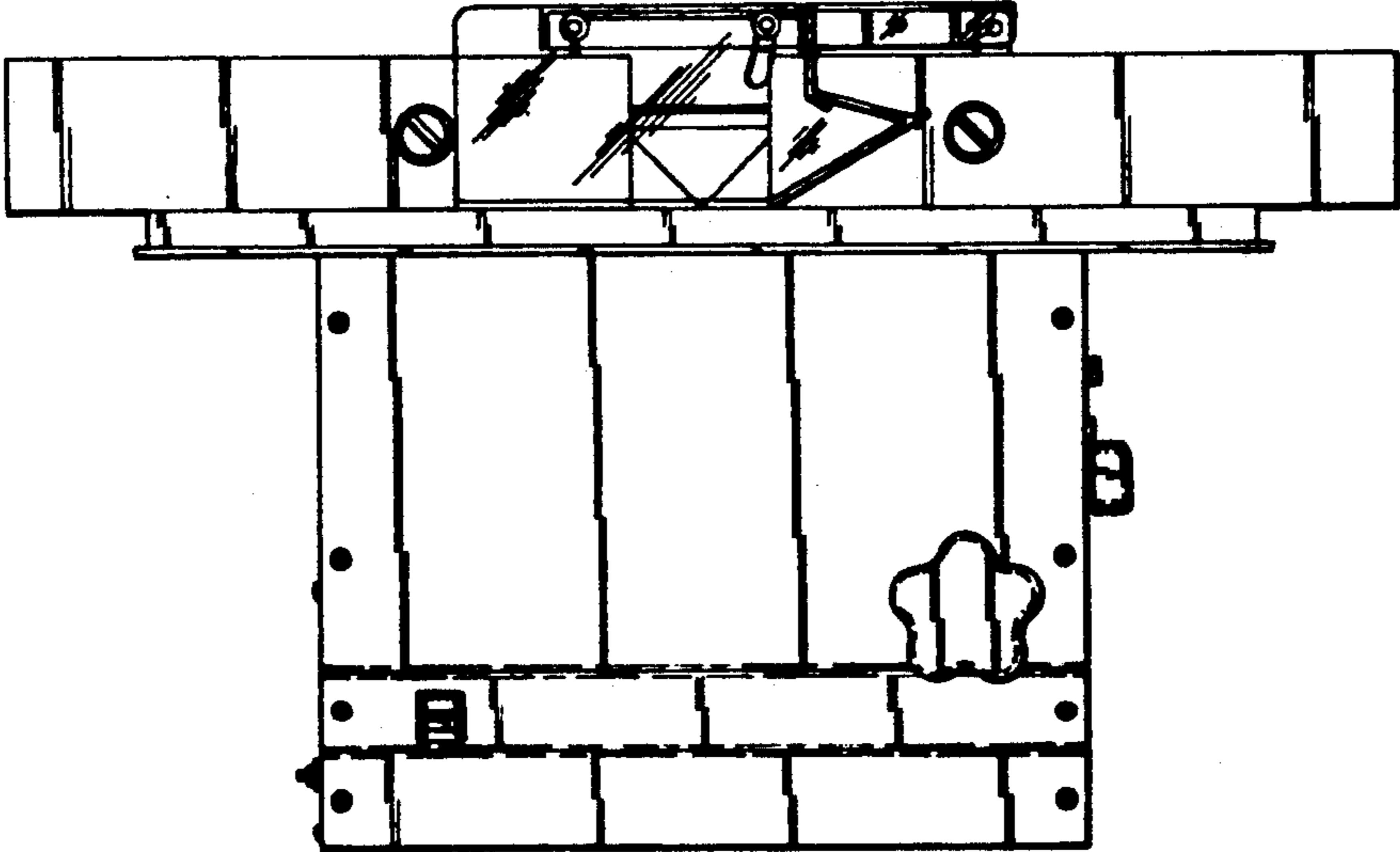


FIG. 2

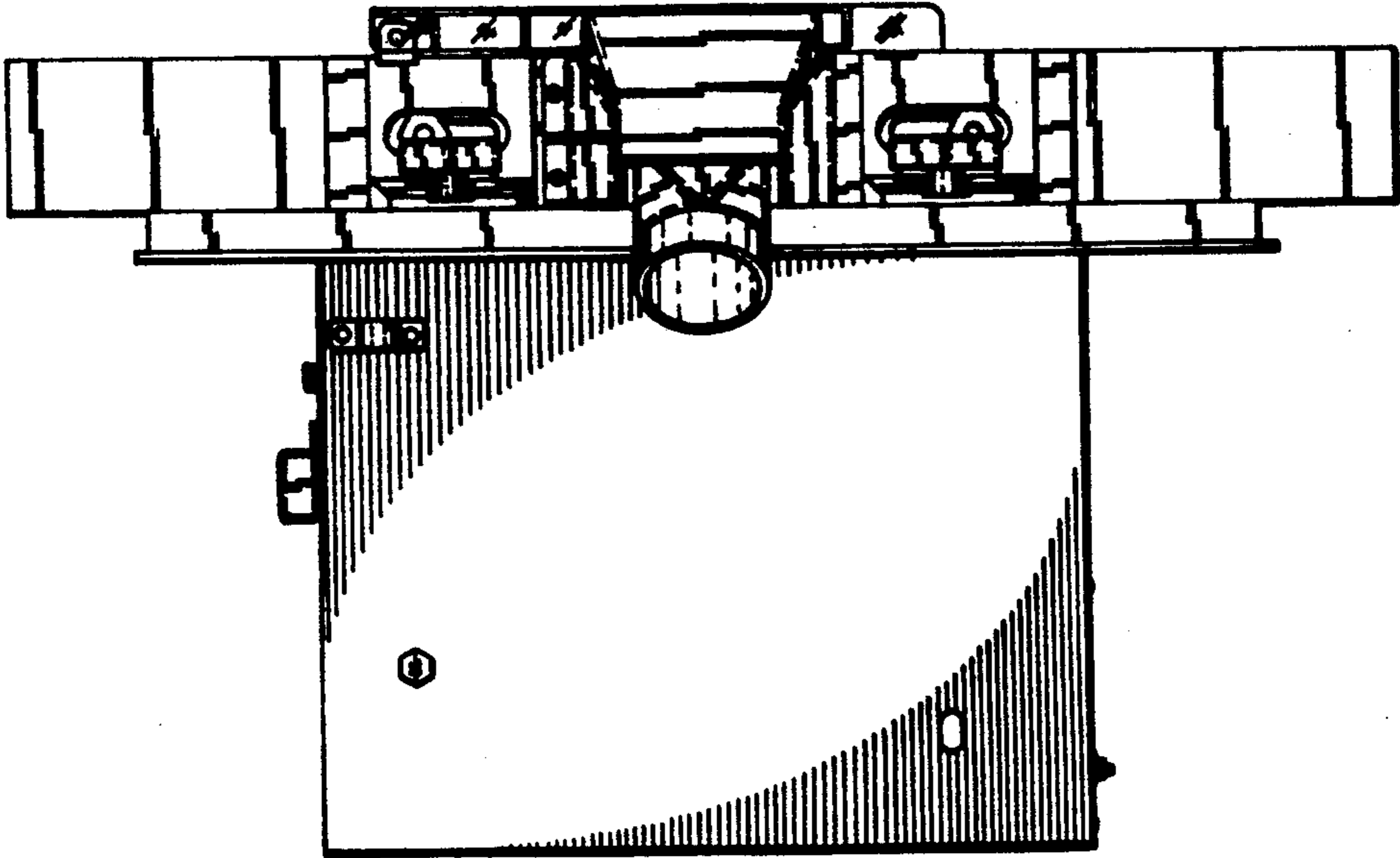


FIG. 3

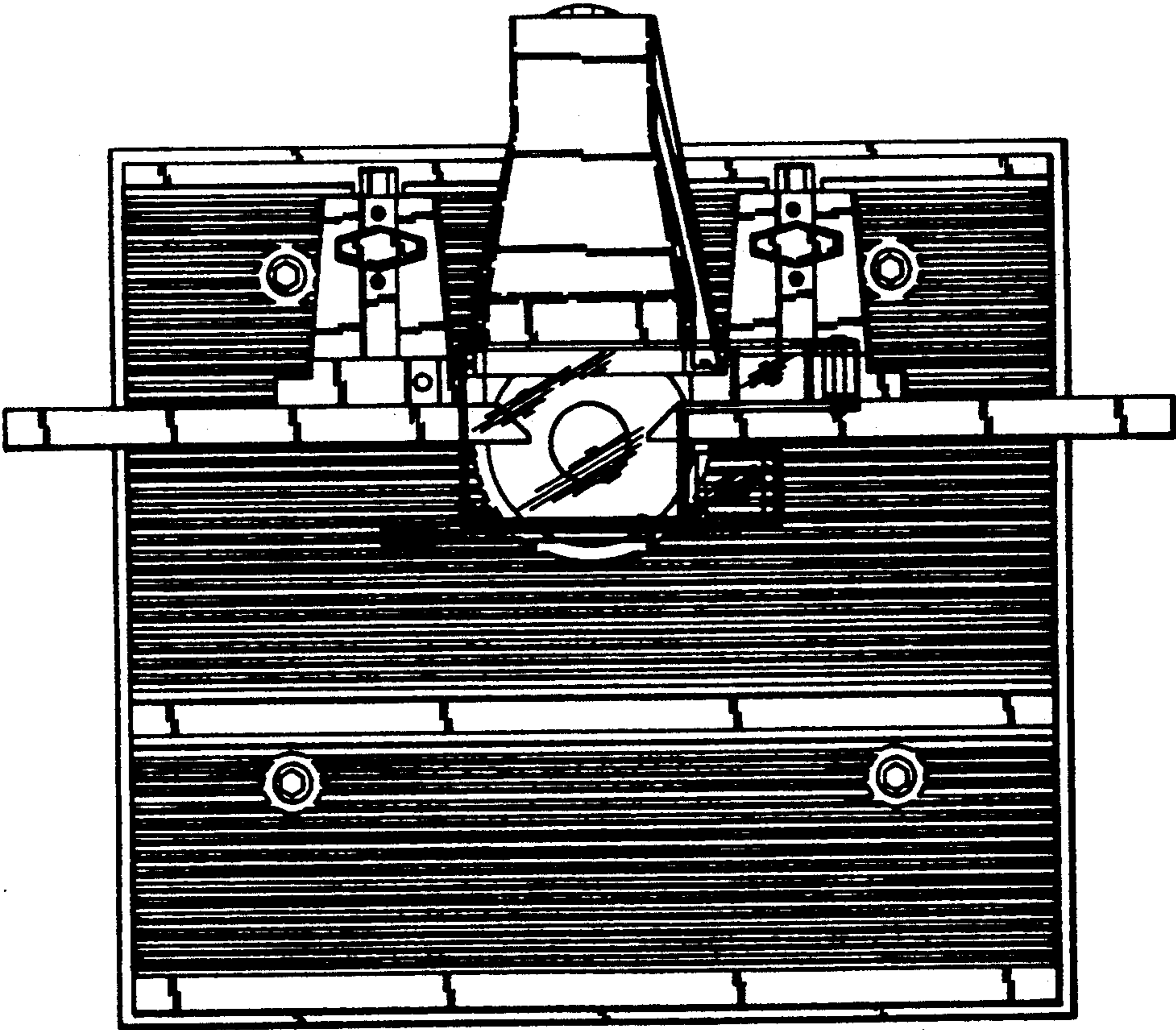


FIG. 4

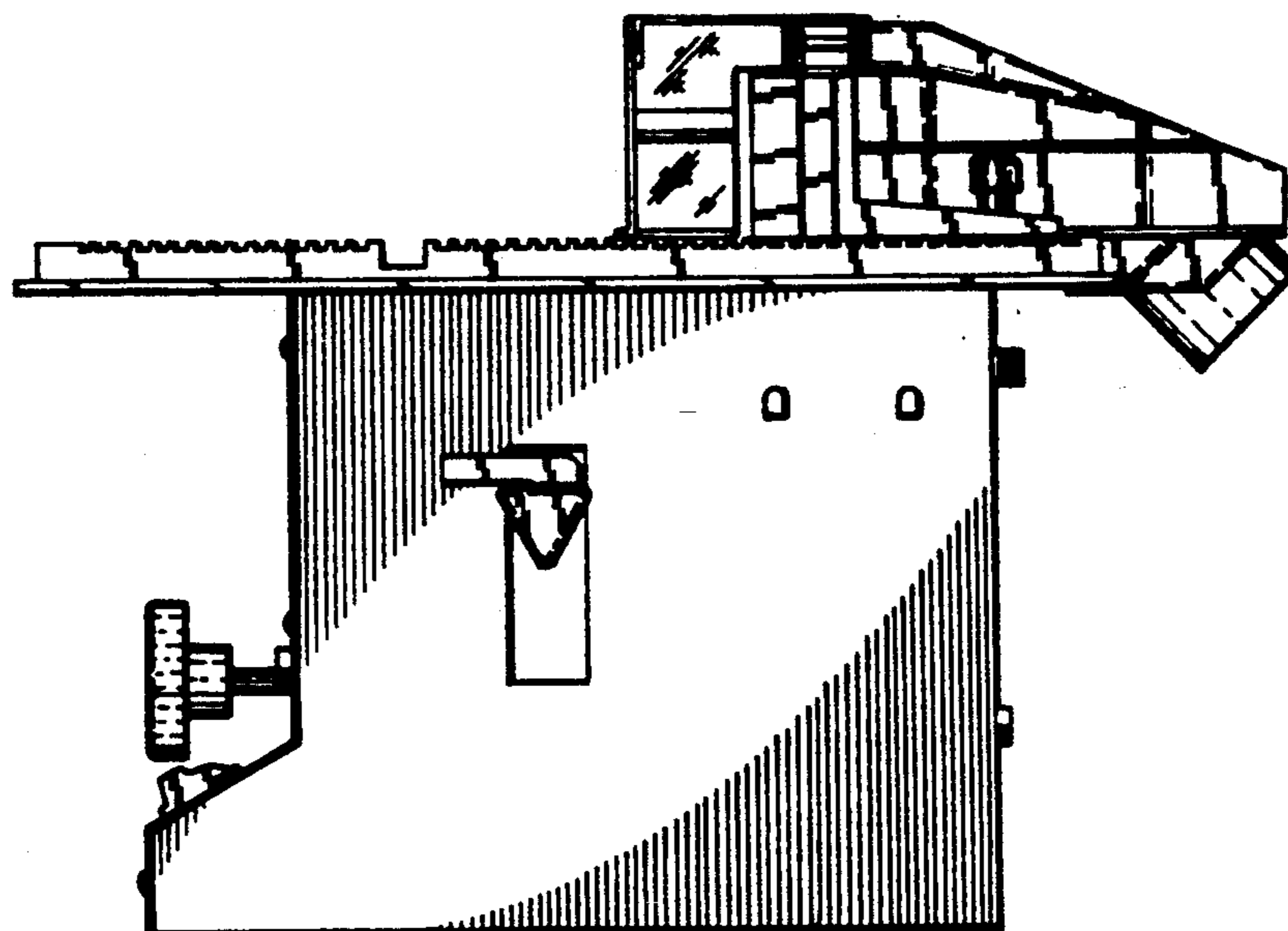


FIG. 5

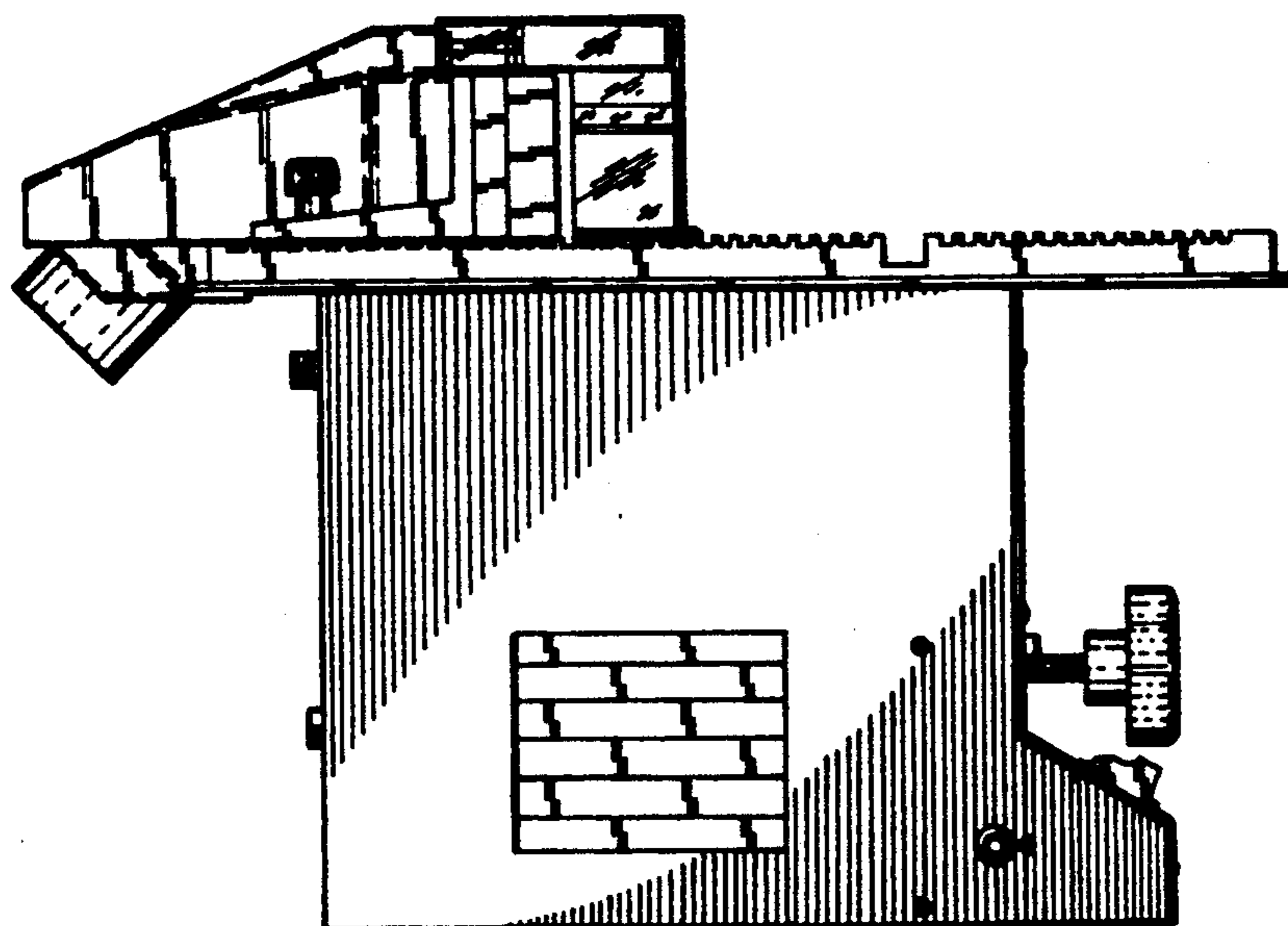


FIG. 6