



US00D334387S

United States Patent [19]

[11] Patent Number: **Des. 334,387**

Bostock et al.

[45] Date of Patent: **** Mar. 30, 1993**

[54] COMBINED MICROPHONE WITH HOLDER

[75] Inventors: **John Bostock, Basing; Kevin Ryan, Camberley, both of England**

[73] Assignee: **Technotrend Limited, Hampshire, England**

[**] Term: **14 Years**

[21] Appl. No.: **714,073**

[22] Filed: **Jun. 11, 1991**

[52] U.S. Cl. **D14/227**

[58] Field of Search **D14/225-229; 381/91, 122, 155, 159, 168-170**

[56] References Cited

U.S. PATENT DOCUMENTS

D. 260,989	9/1981	McGourty	D14/227
D. 295,403	4/1988	Oleson	D14/225
D. 299,921	2/1989	Kikutani	D14/227
D. 313,802	1/1991	Peiker	D14/228

FOREIGN PATENT DOCUMENTS

0268399 2/1969 Fed. Rep. of Germany 381/168

Primary Examiner—Bernard Ansher
Assistant Examiner—Sandra Morris
Attorney, Agent, or Firm—Perman & Green

[57] CLAIM

The ornamental design for combined microphone with holder, as shown and described.

DESCRIPTION

FIG. 1 is a front, top and right side perspective view of a combined microphone with holder showing our new design with the microphone in a raised position; FIG. 2 is a left side elevational view thereof with the microphone in the raised position; FIG. 3 is a front elevational view thereof with the microphone in a lowered position; FIG. 4 is a rear elevational view thereof with the microphone in the lowered position; FIG. 5 is a left side elevational view thereof with the microphone in the lowered position; FIG. 6 is a top plan view thereof with the microphone in the lowered position; and, FIG. 7 is a bottom plan view thereof.

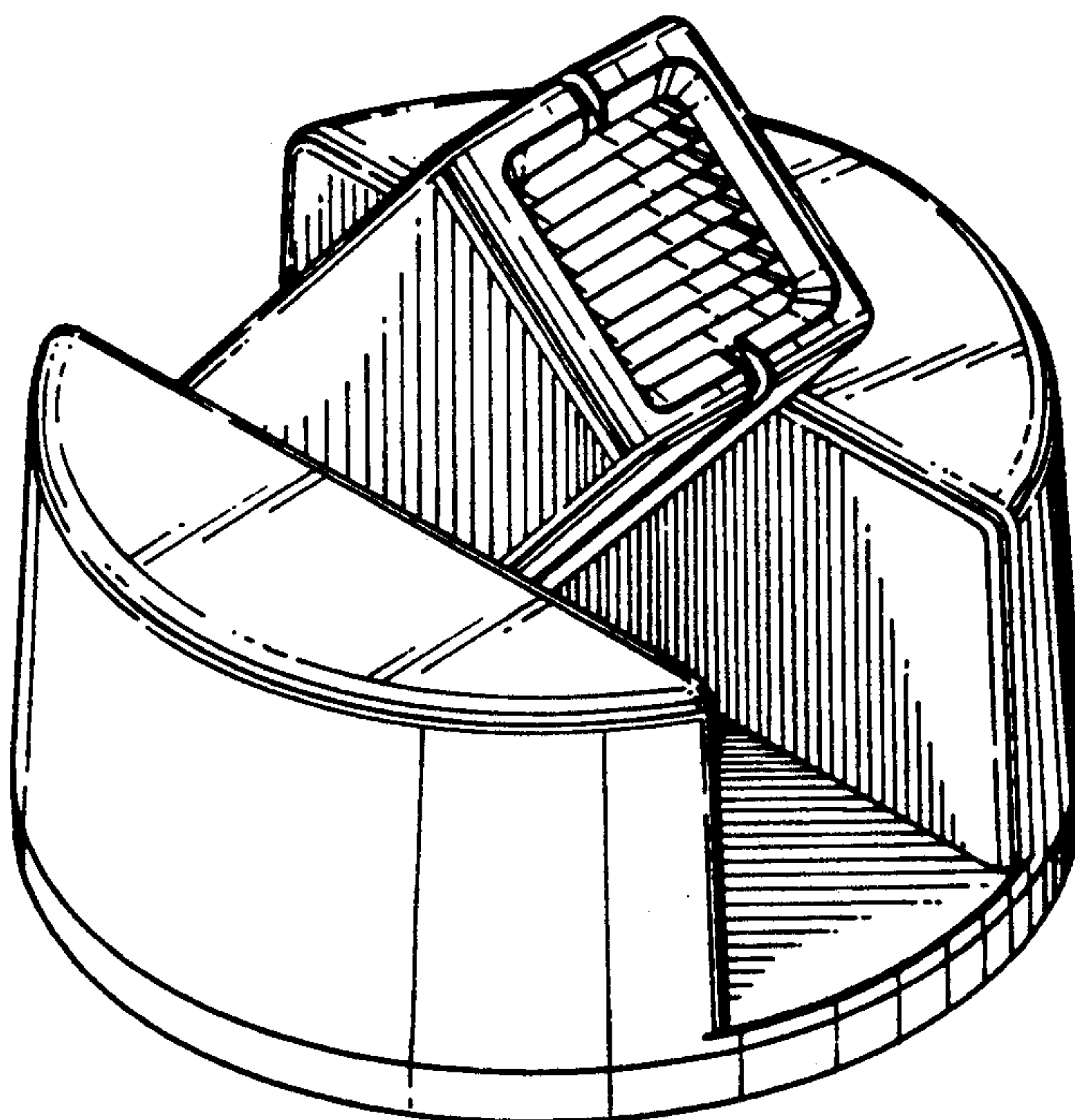


Fig. 1.

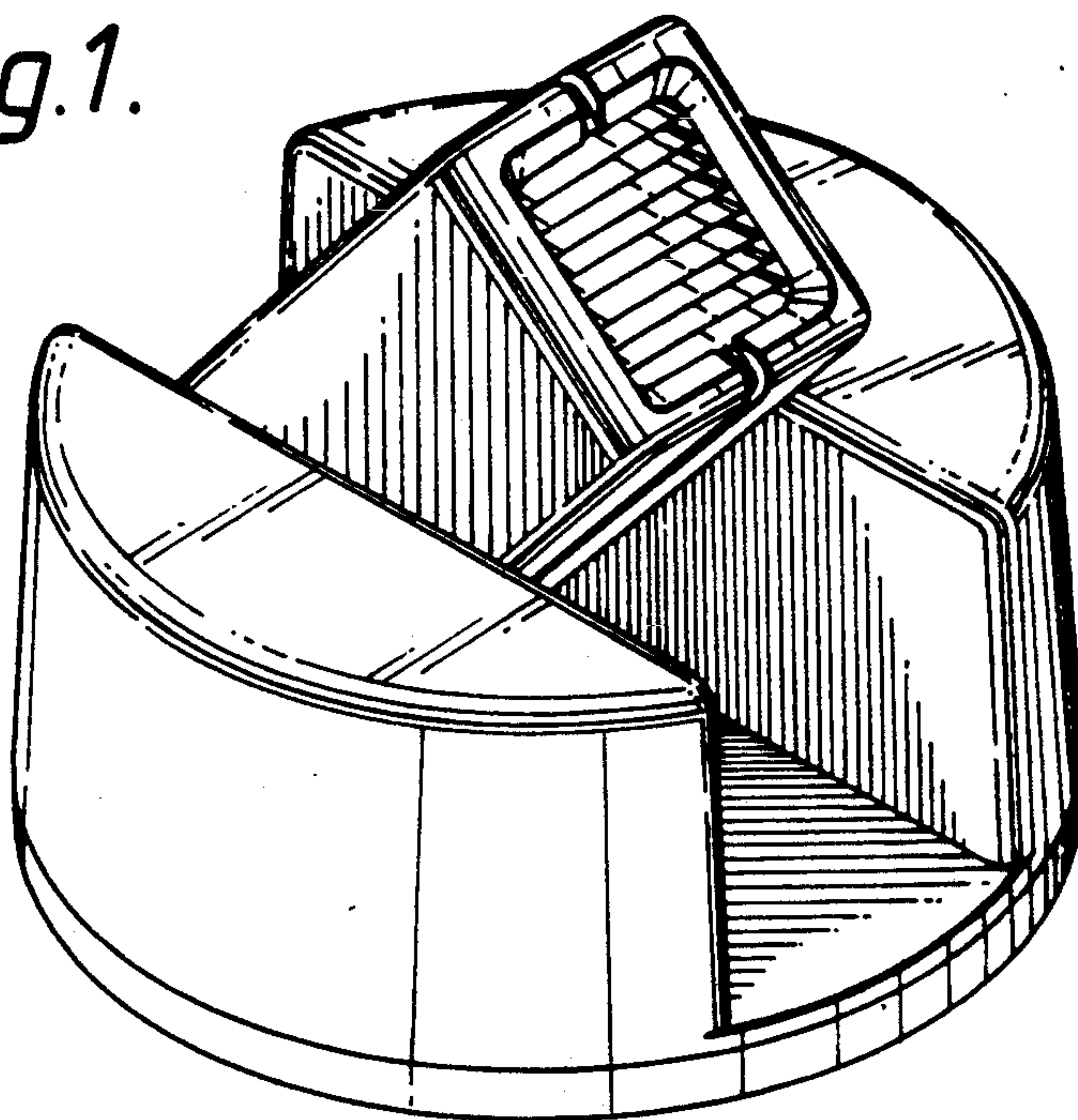


Fig. 2.

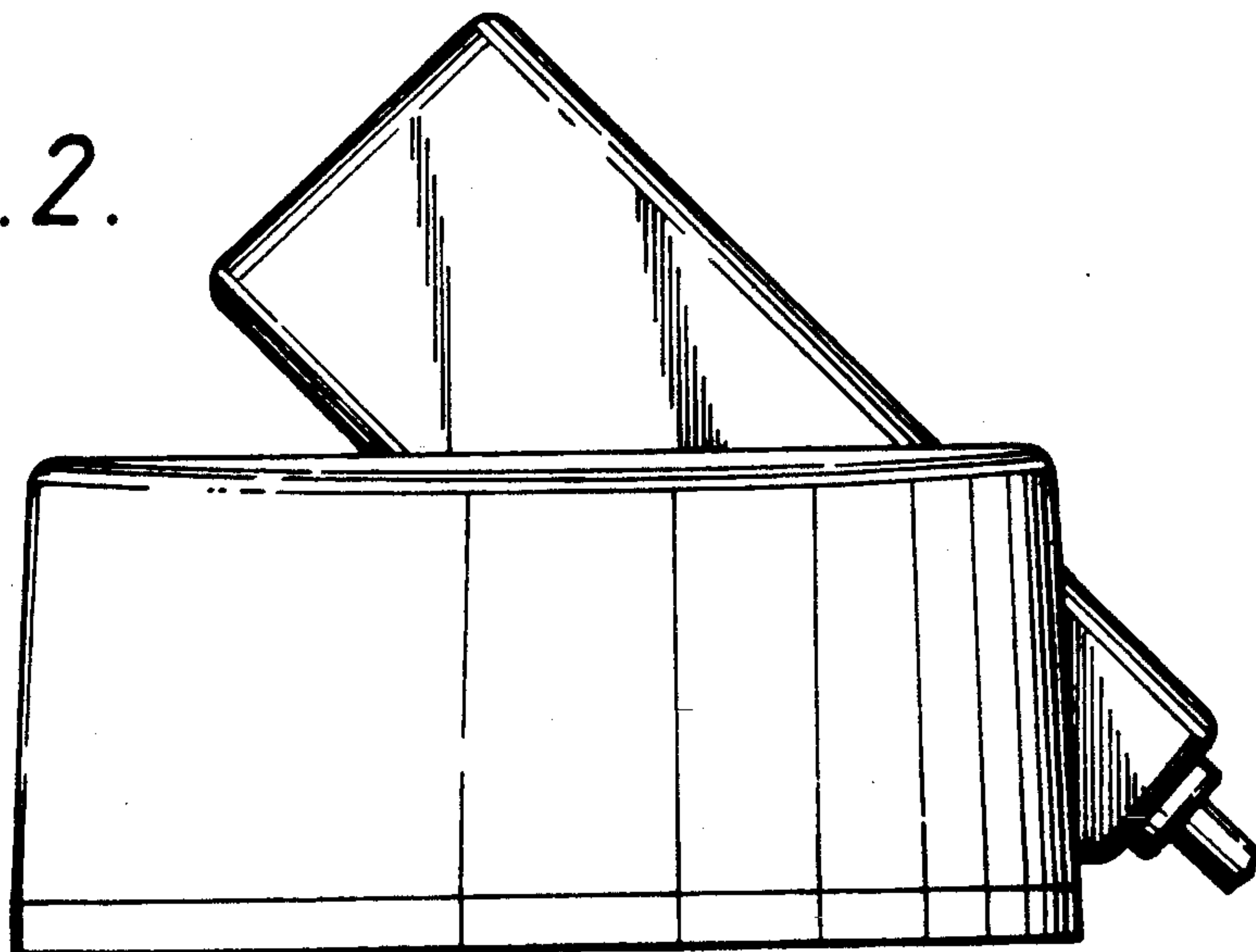


Fig.3.

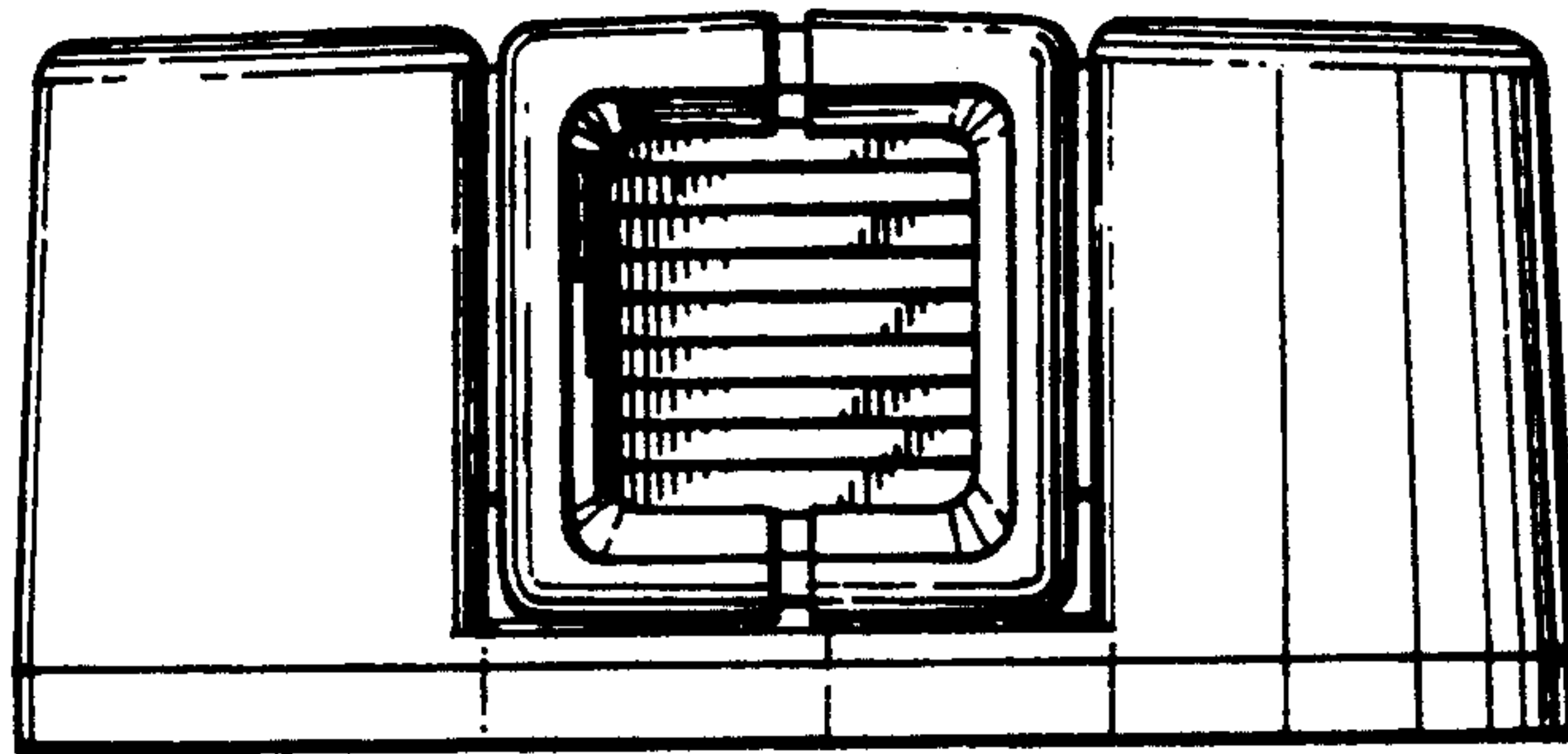


Fig.4.

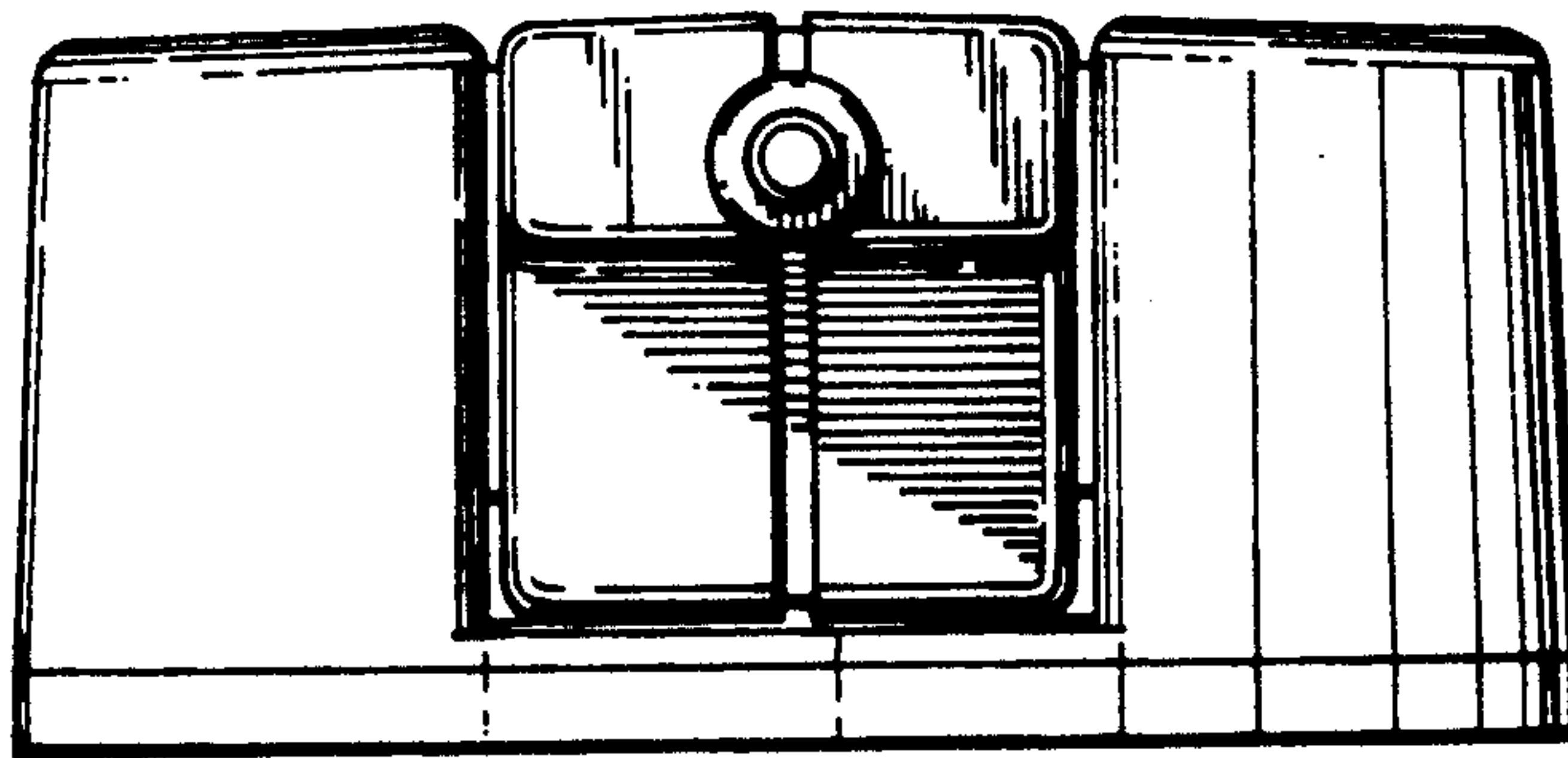


Fig.5.

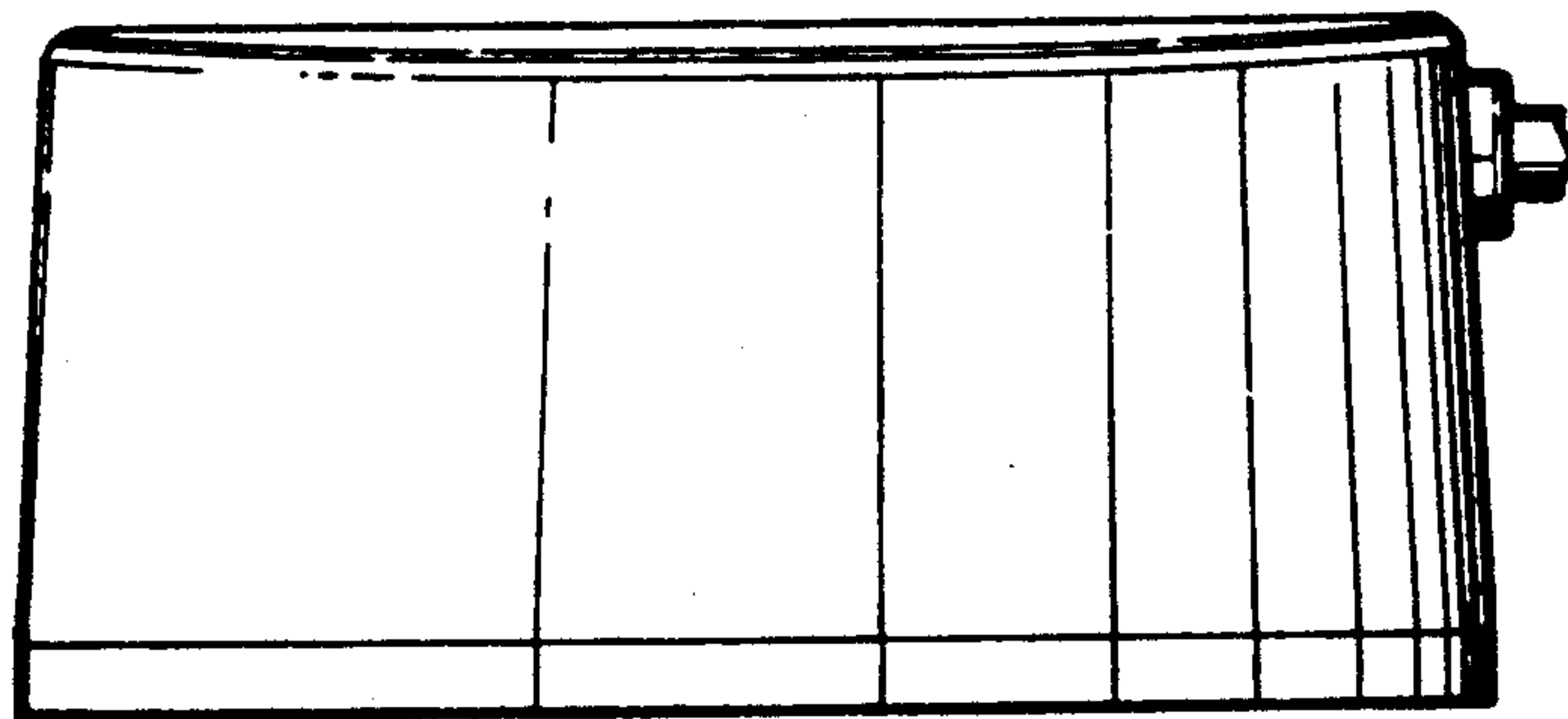


Fig. 6.

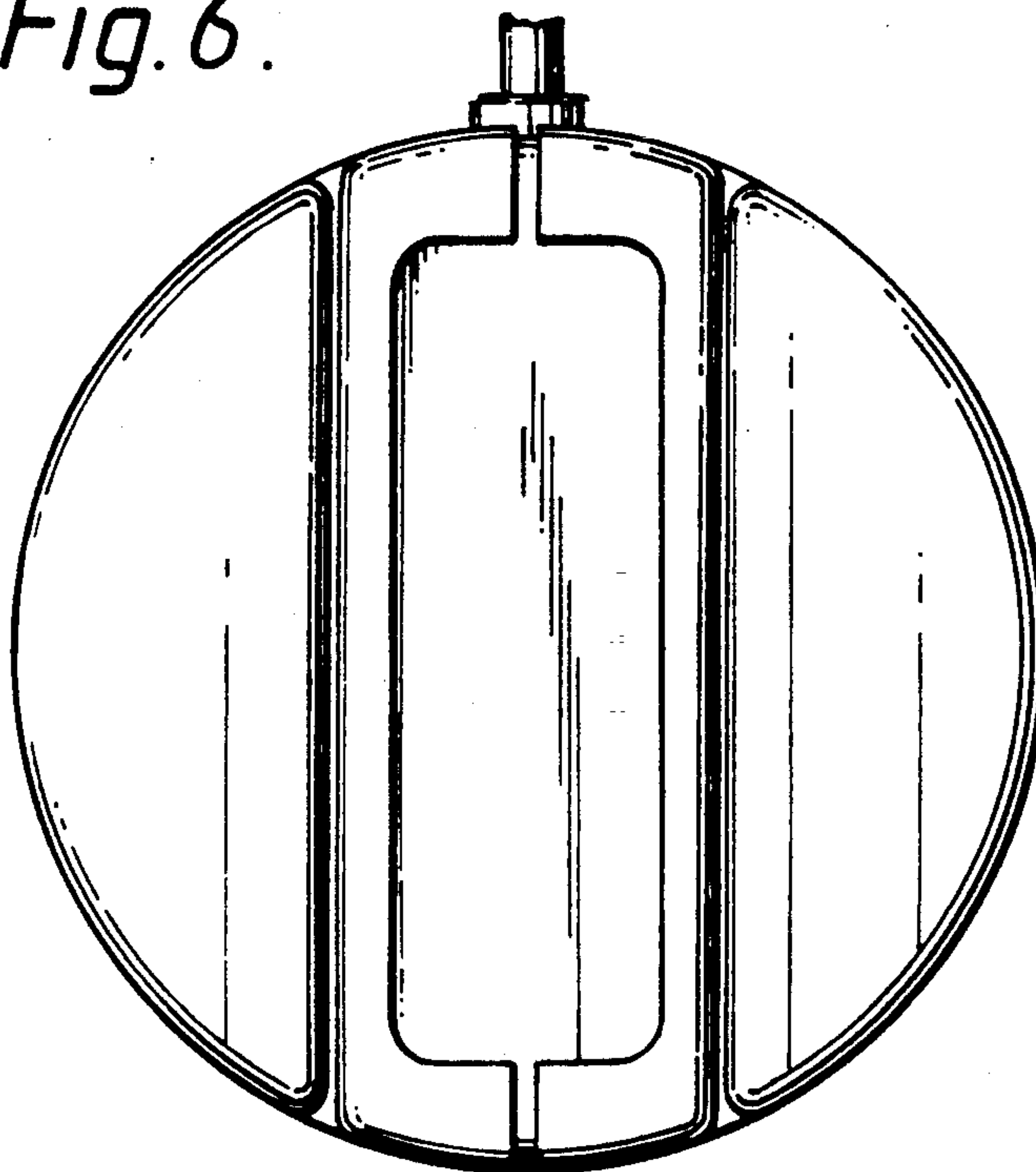


Fig. 7.

