



US00D334379S

United States Patent [19]

[11] Patent Number: **Des. 334,379**

Sharrah et al.

[45] Date of Patent: **** Mar. 30, 1993**

[54] **CHARGING UNIT FOR A BATTERY POWERED DEVICE**

Attorney, Agent, or Firm—Dann, Dorfman, Herrell and Skillman

[75] Inventors: **Raymond L. Sharrah, Collegetown; Charles W. Craft, Lansdale, both of Pa.**

[57] **CLAIM**

The ornamental design for a charging unit for a battery powered device, as shown and described.

[73] Assignee: **Streamlight, Inc., Norristown, Pa.**

DESCRIPTION

[**] Term: **14 Years**

FIG. 1 is a top, front, right hand side, perspective view of a charging unit for a battery powered device showing our new design;

[21] Appl. No.: **782,508**

FIG. 2 is a front elevational view thereof;

[22] Filed: **Oct. 25, 1991**

FIG. 3 is a rear elevational view thereof;

[52] U.S. Cl. **D13/108**

FIG. 4 is a left hand side elevational view thereof;

[58] Field of Search **D13/107, 108; D14/240; 320/2, 3, 4, 5**

FIG. 5 is a right hand side elevational view thereof;

[56] **References Cited**

U.S. PATENT DOCUMENTS

D. 302,808	8/1989	Skuzza et al.	D13/107
2,199,322	4/1940	Skinner	320/4
2,780,766	2/1957	Hedding et al.	320/4
4,629,962	12/1986	Arakawa	320/2

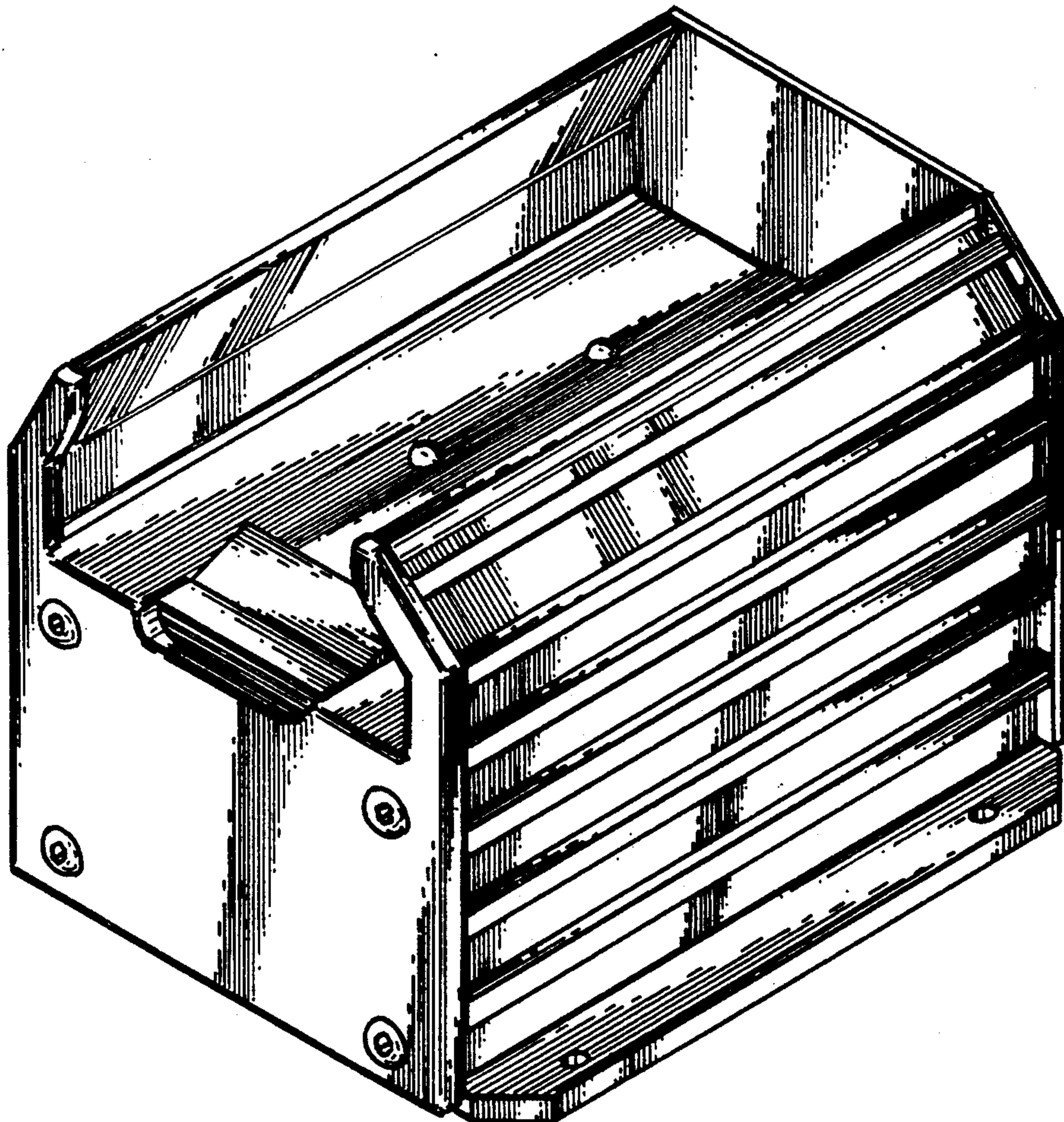
FIG. 6 is a top plan view thereof;

FIG. 7 is a bottom plan view thereof; and,

FIG. 8 is a top, rear, right hand side perspective view of a second embodiment of a battery charger showing our new design.

Primary Examiner—Wallace R. Burke
Assistant Examiner—Joel Sincavage

The broken line showing of the cord and adapter is included for the purpose of illustrating environmental elements only and forms no part of the claimed design. Except for the cord and strain relief, the other views of the second embodiment are identical to FIGS. 1-7.



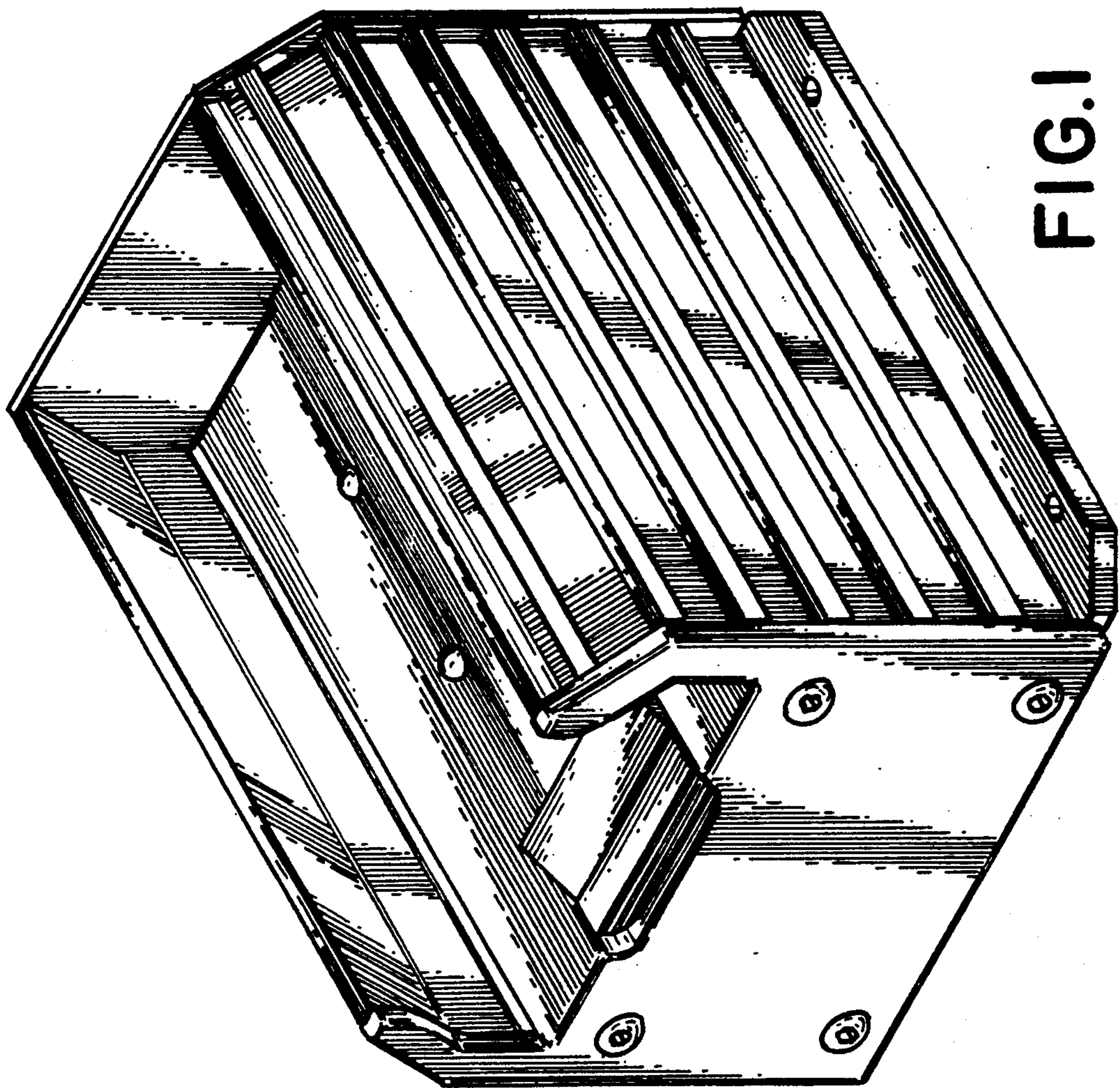


FIG. 1

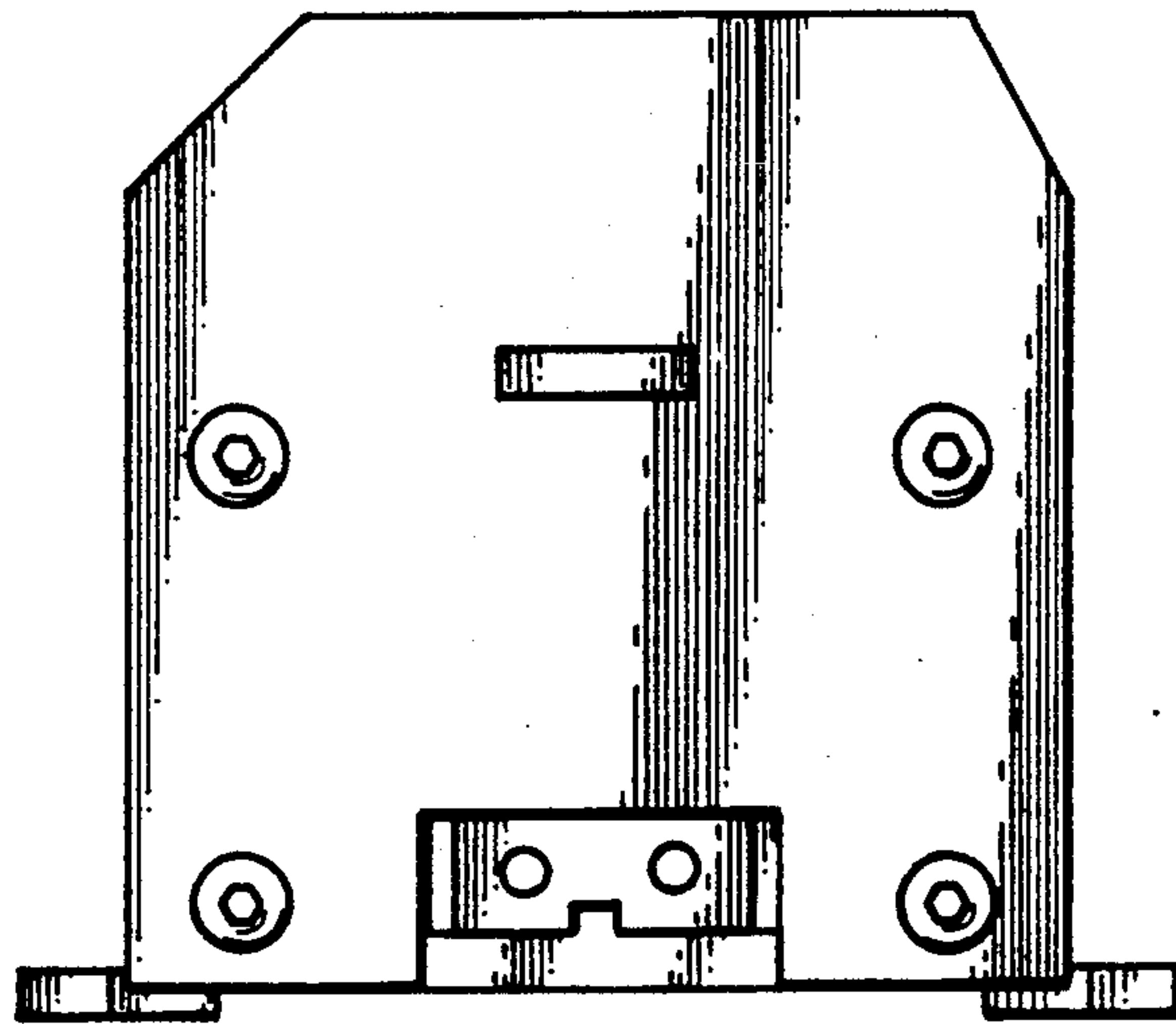


FIG. 3

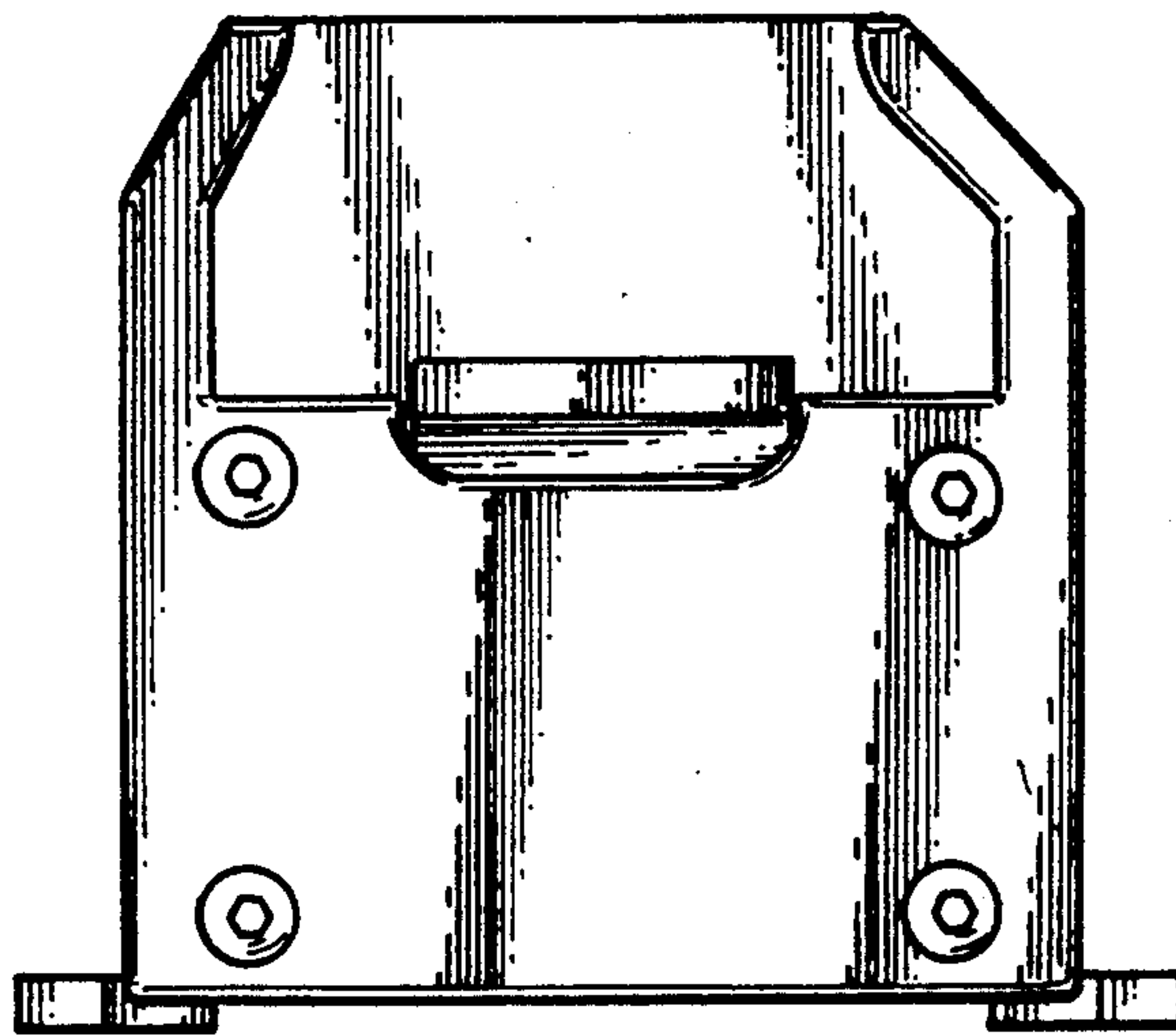


FIG. 2

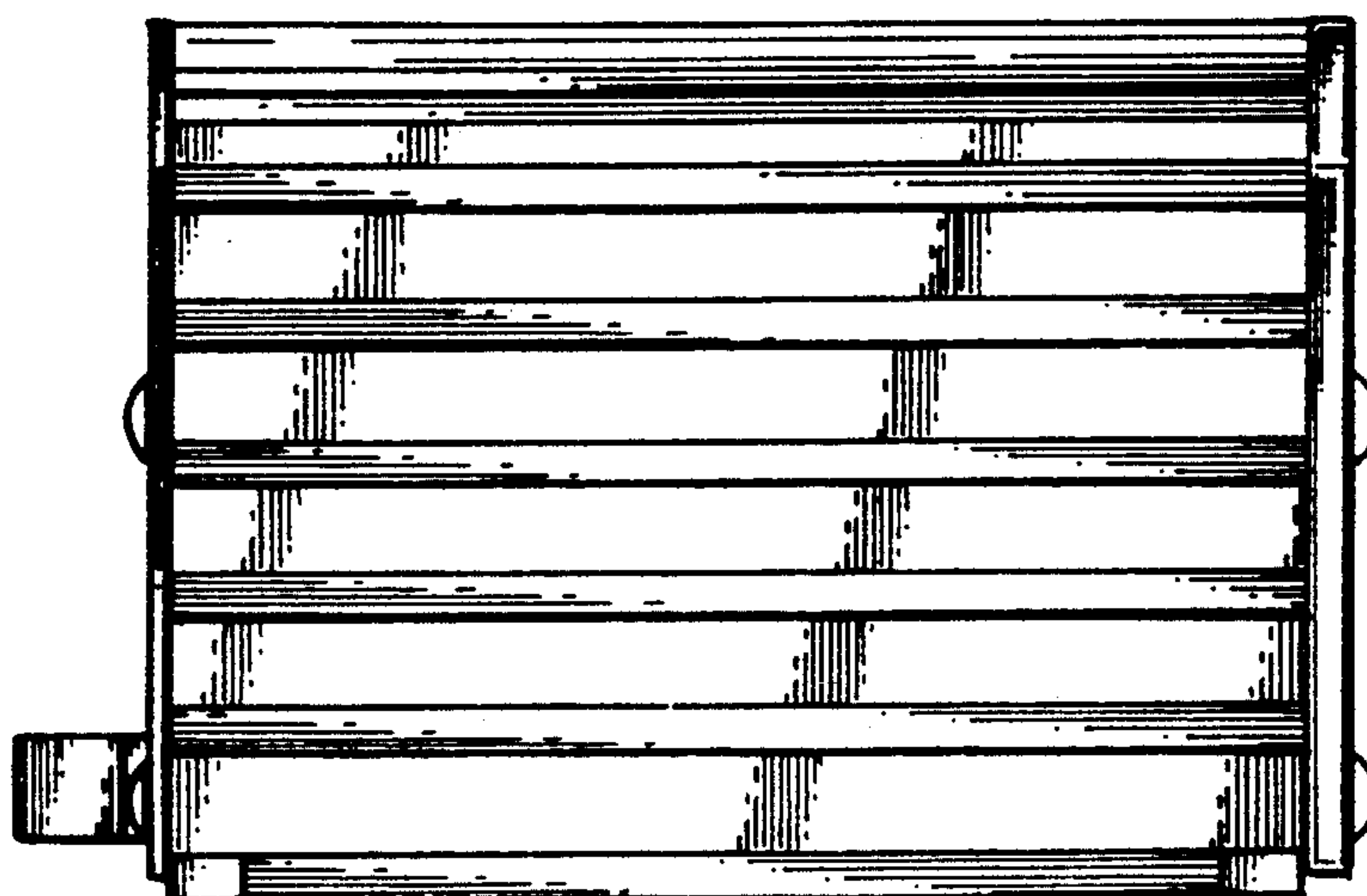


FIG. 4

FIG. 5

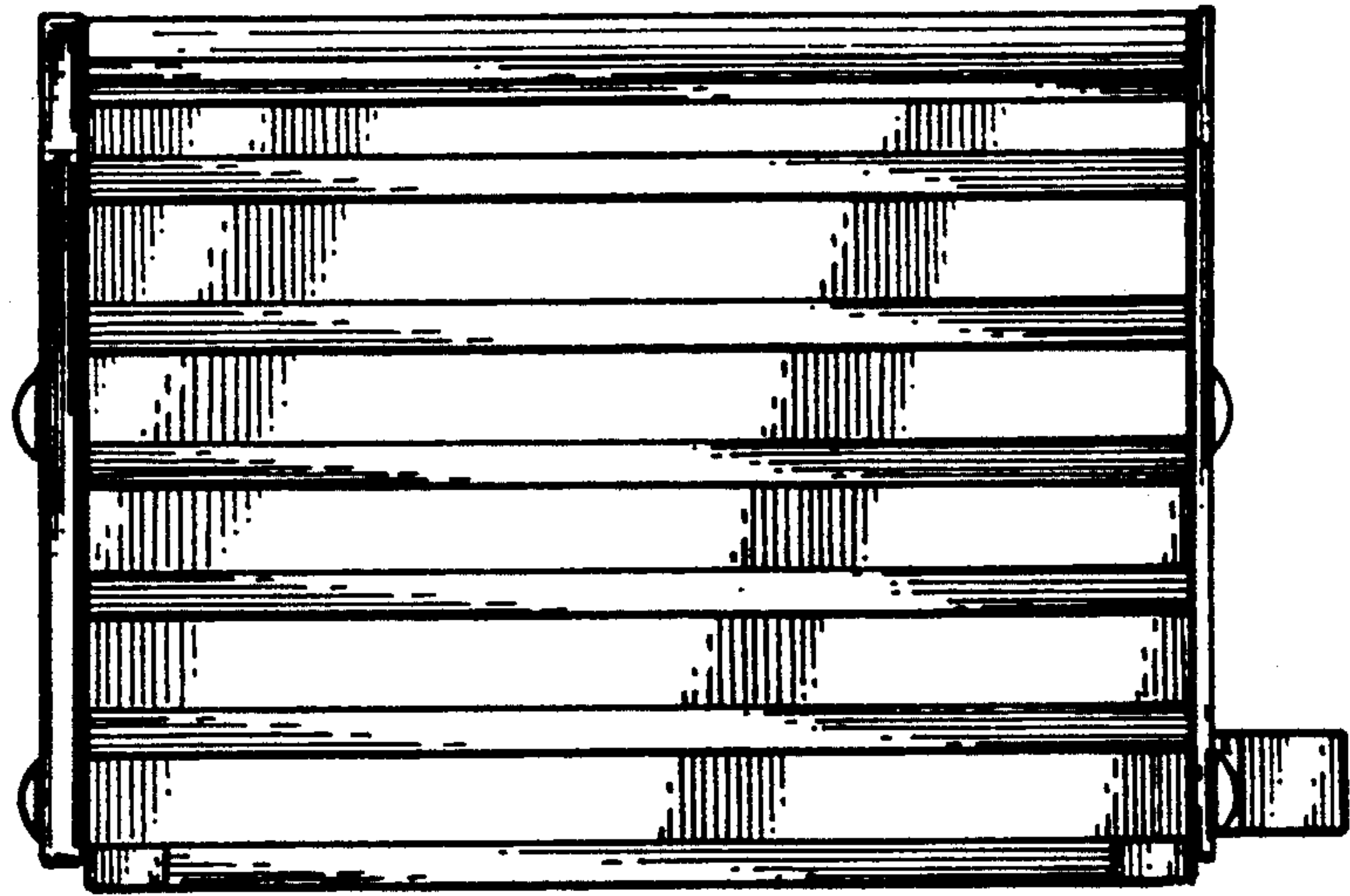


FIG. 6

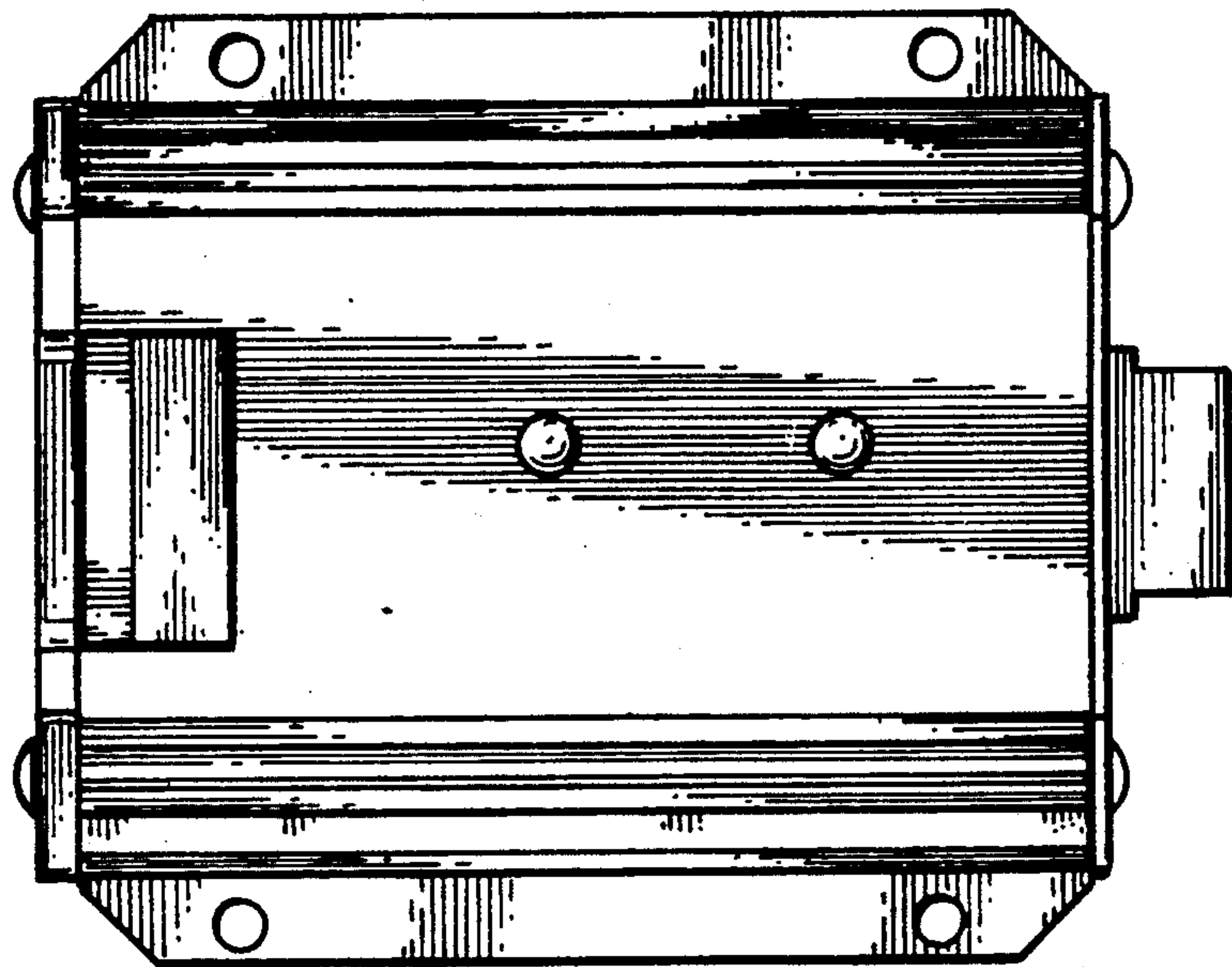
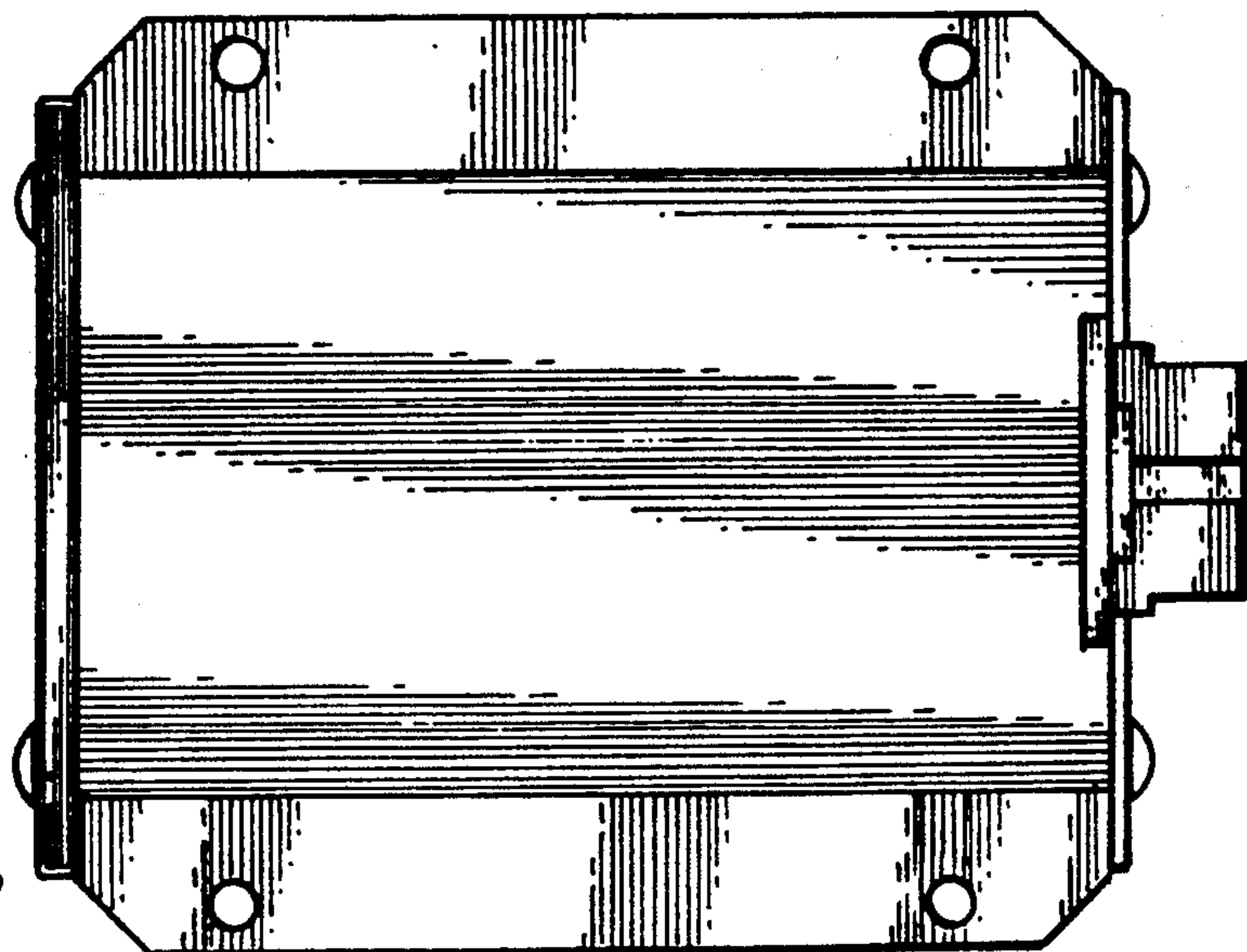


FIG. 7



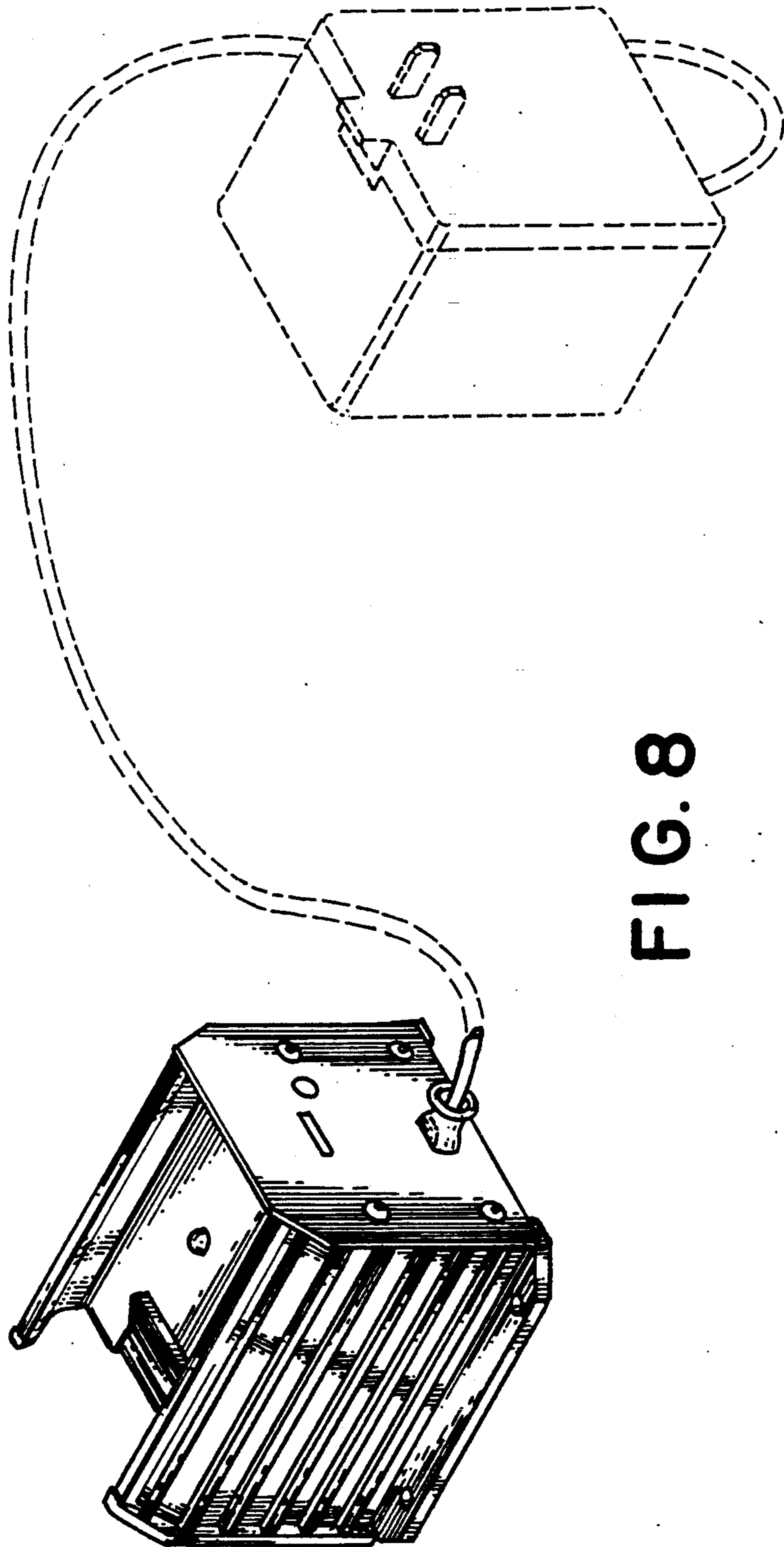


FIG. 8