



US00D334376S

# United States Patent [19]

[11] Patent Number: **Des. 334,376**

McNeir

[45] Date of Patent: **\*\* Mar. 30, 1993**

[54] **HOUSE BOAT**

D. 304,571 11/1989 Lindstrom et al. .... D12/318

[76] Inventor: **George McNeir, 5413 Hounds Ear Pl., Raleigh, N.C. 27606**

*Primary Examiner*—Kay H. Chin

[\*\*] Term: **14 Years**

[57] **CLAIM**

The ornamental design for a house boat, as shown and described.

[21] Appl. No.: **658,566**

[22] Filed: **Feb. 21, 1991**

**DESCRIPTION**

[52] U.S. Cl. .... **D12/315**

FIG. 1 is a top perspective view of a house boat showing my new design;

[58] Field of Search ..... **D12/318, 315, 300; 114/71, 56**

FIG. 2 is a top plan view thereof;

FIG. 3 is a side elevational view thereof, the opposite side being identical;

FIG. 4 is a front elevational view thereof;

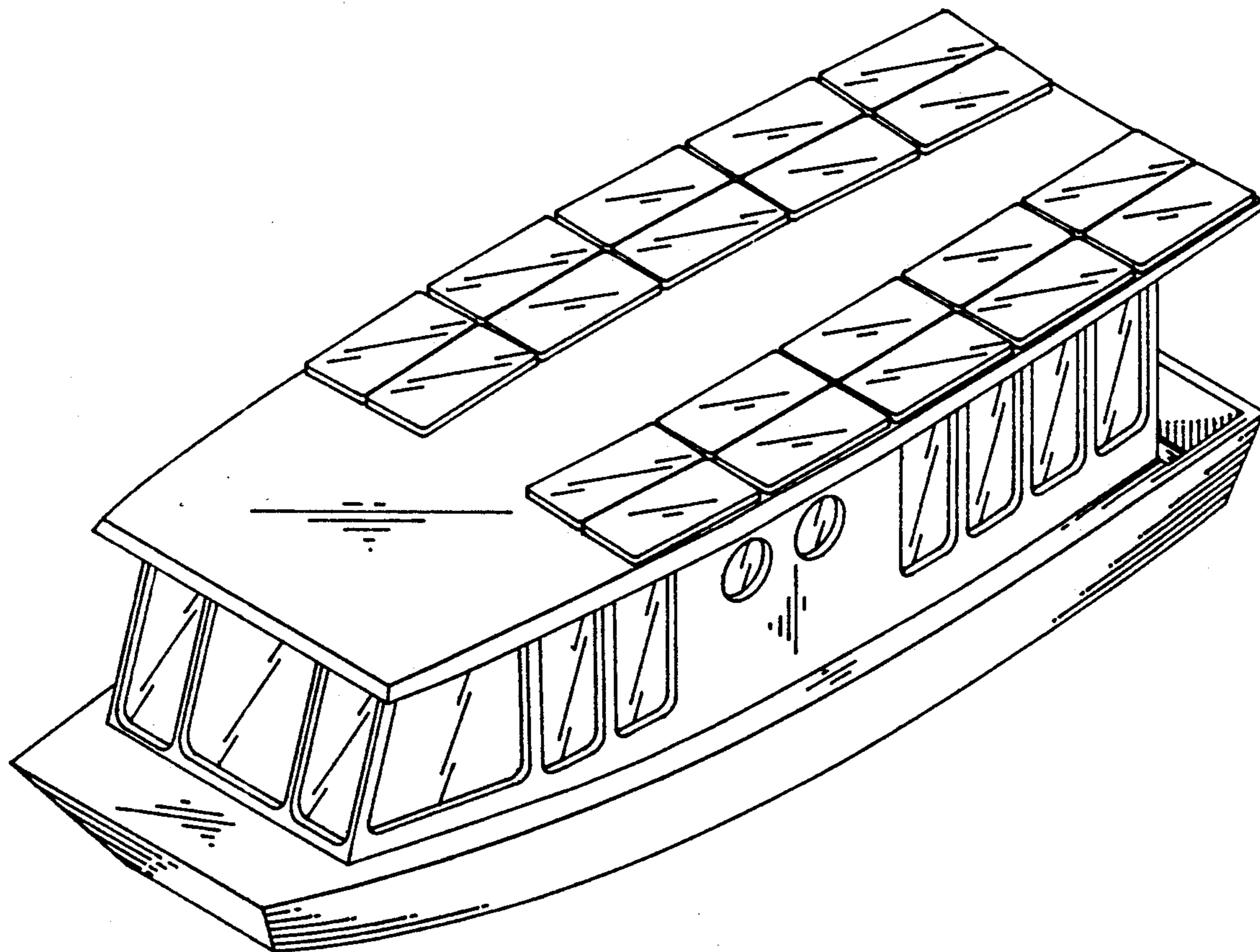
FIG. 5 is a bottom plan view thereof; and,

FIG. 6 is a rear elevational view thereof.

[56] **References Cited**

**U.S. PATENT DOCUMENTS**

- D. 256,113 7/1980 Fortier ..... D12/318
- D. 265,646 8/1982 Fortier ..... D12/318



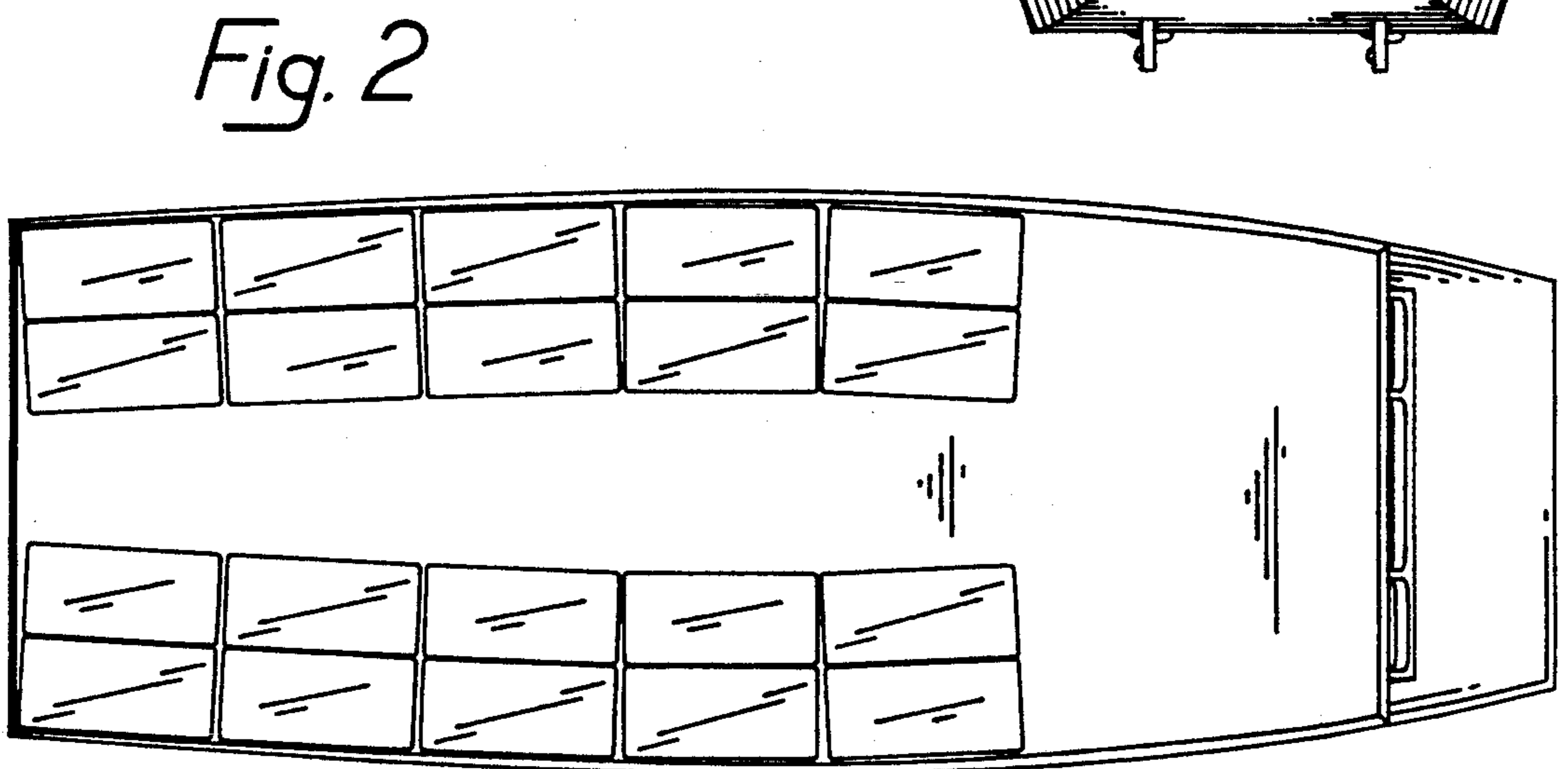
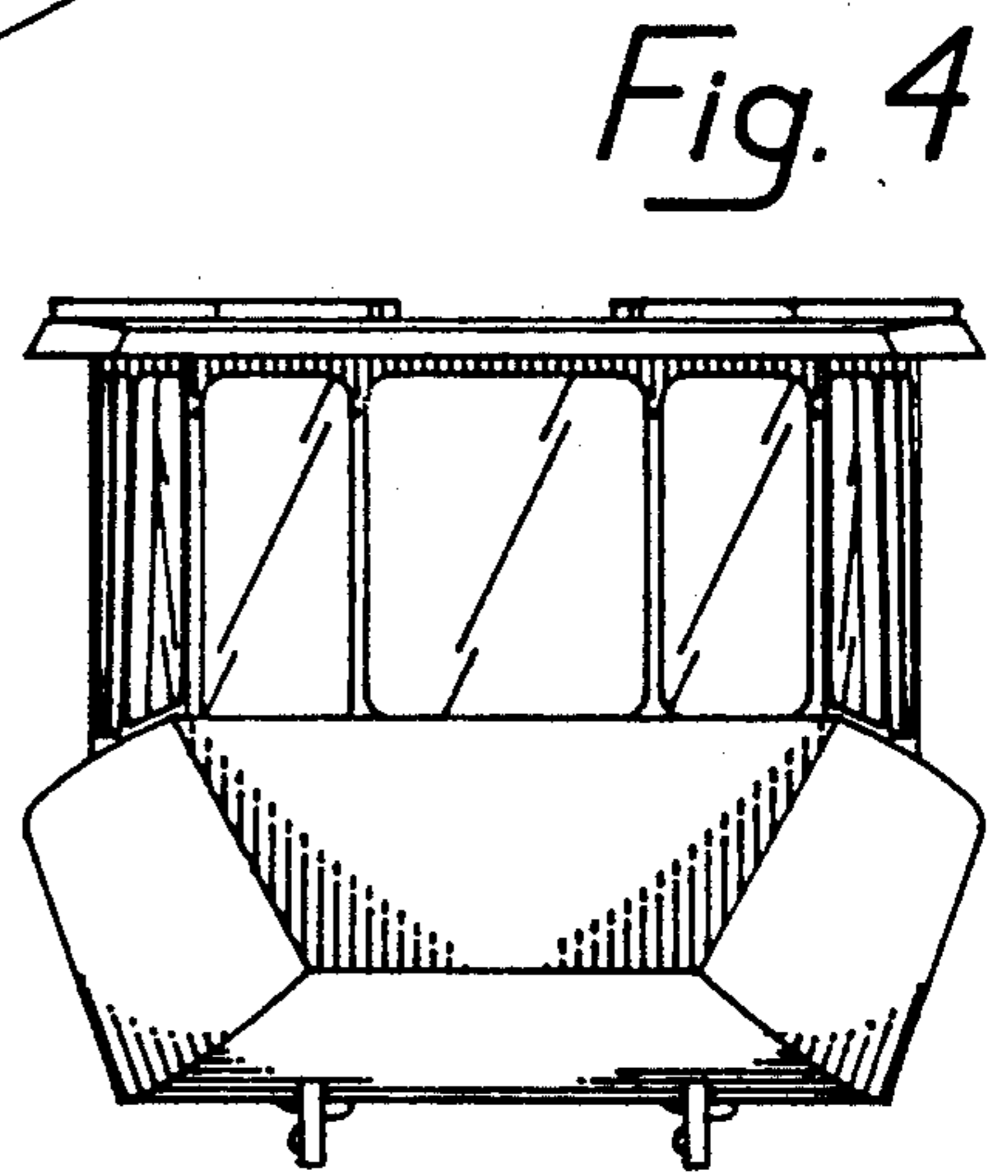
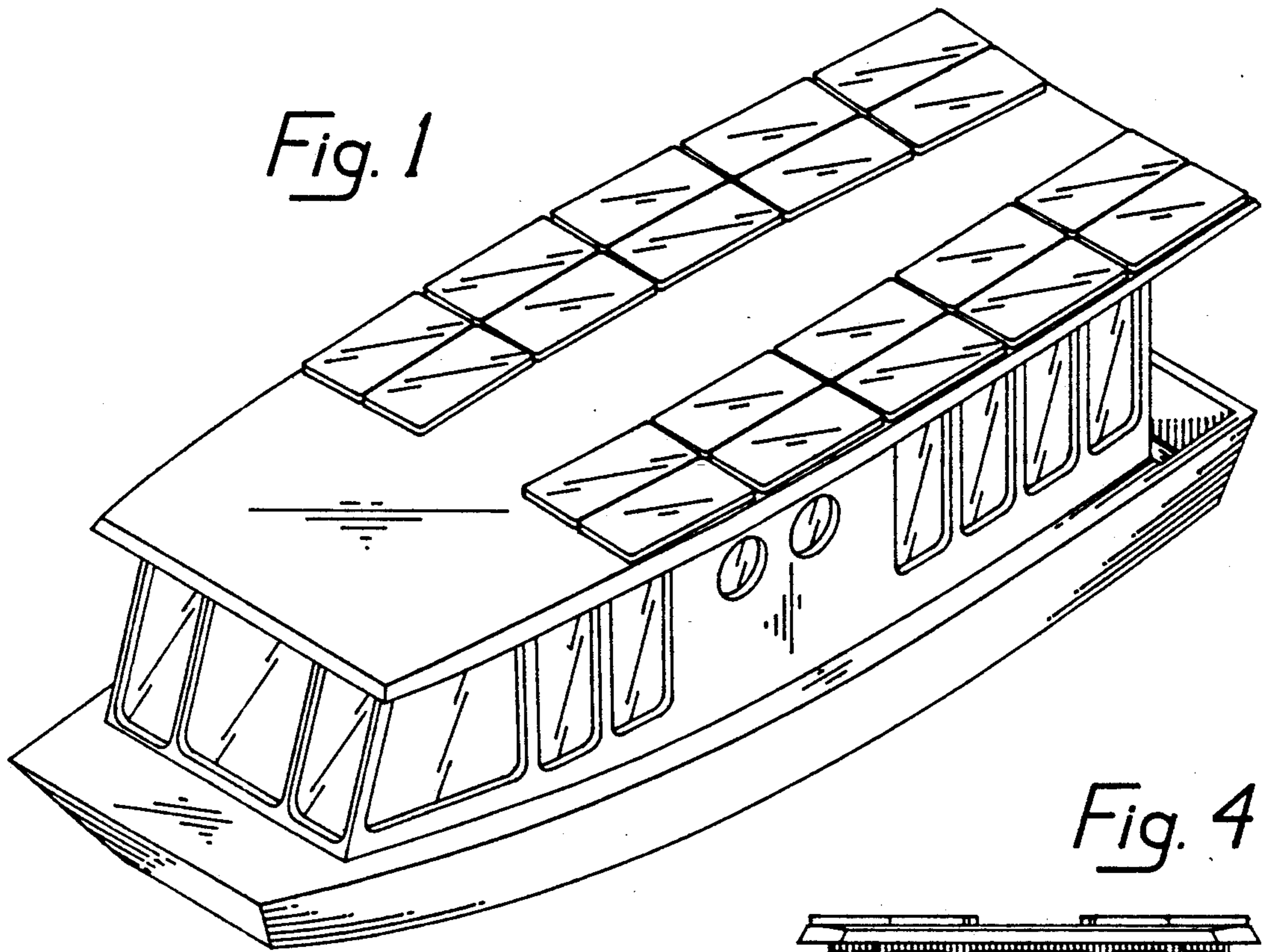


Fig. 3

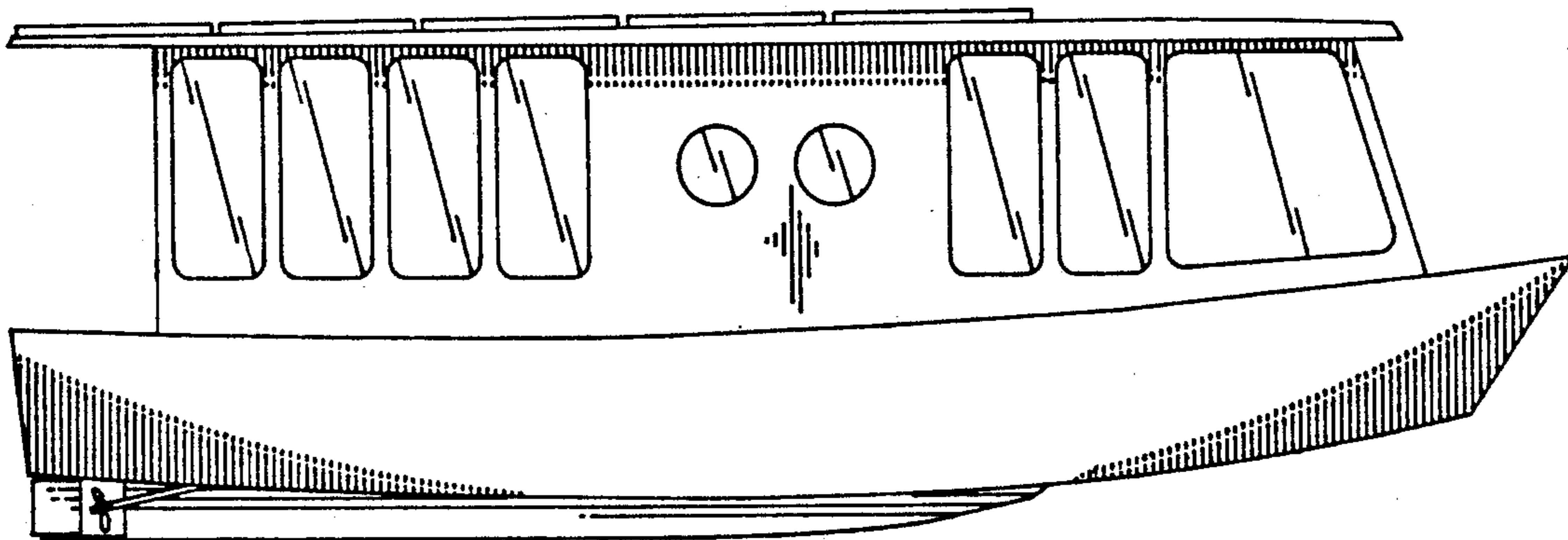


Fig. 5

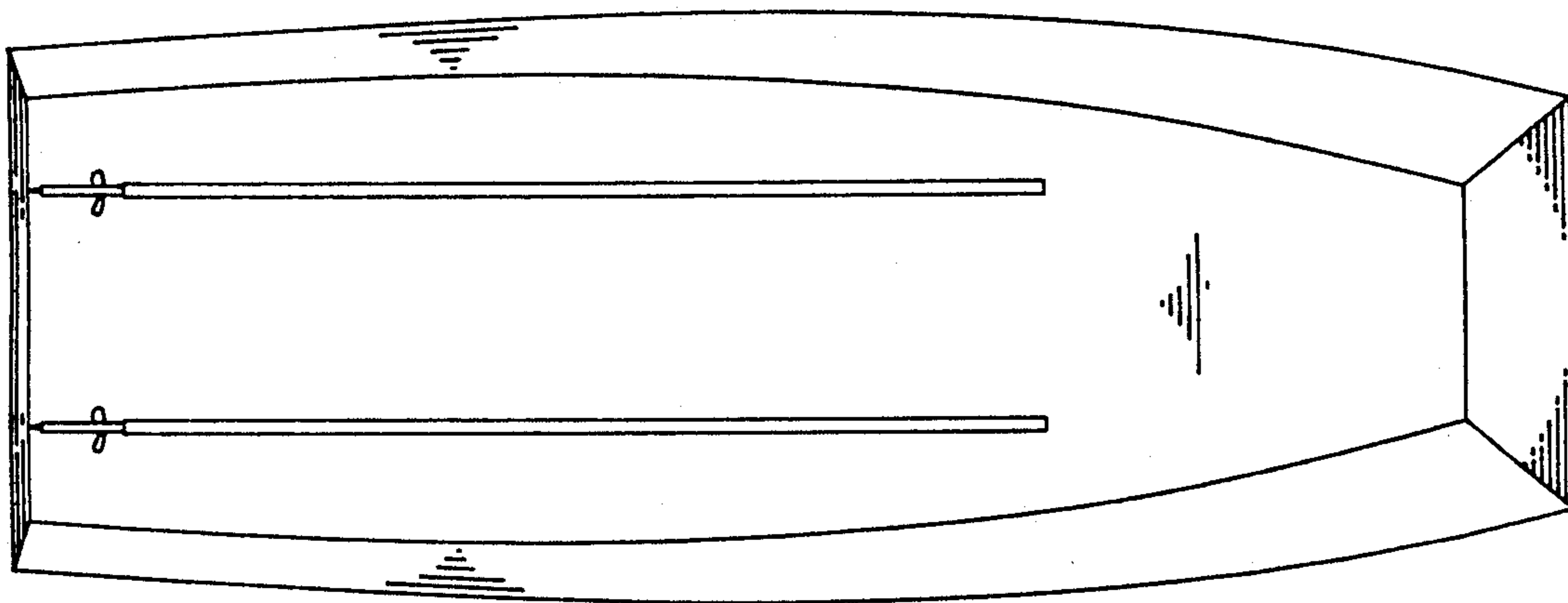


Fig. 6

