



US00D334375S

United States Patent [19]

[11] Patent Number: Des. 334,375

Instanes

[45] Date of Patent: ** Mar. 30, 1993

[54] VESSEL

[56]

References Cited

U.S. PATENT DOCUMENTS

[75] Inventor: Eilev Instanes, Omastrand, Norway

D. 236,258	8/1975	Coffey	D12/309
3,347,197	10/1967	Scherer	D12/309
3,745,959	7/1973	Coffey et al.	114/270
4,955,312	9/1990	Magazza	114/280

[73] Assignee: Kvaerner Fjellstrand, Omastrand, Norway

Primary Examiner—Kay H. Chin
Attorney, Agent, or Firm—Young & Thompson

[**] Term: 14 Years

[57] CLAIM

[21] Appl. No.: 805,883

The ornamental design for a vessel, as shown and described.

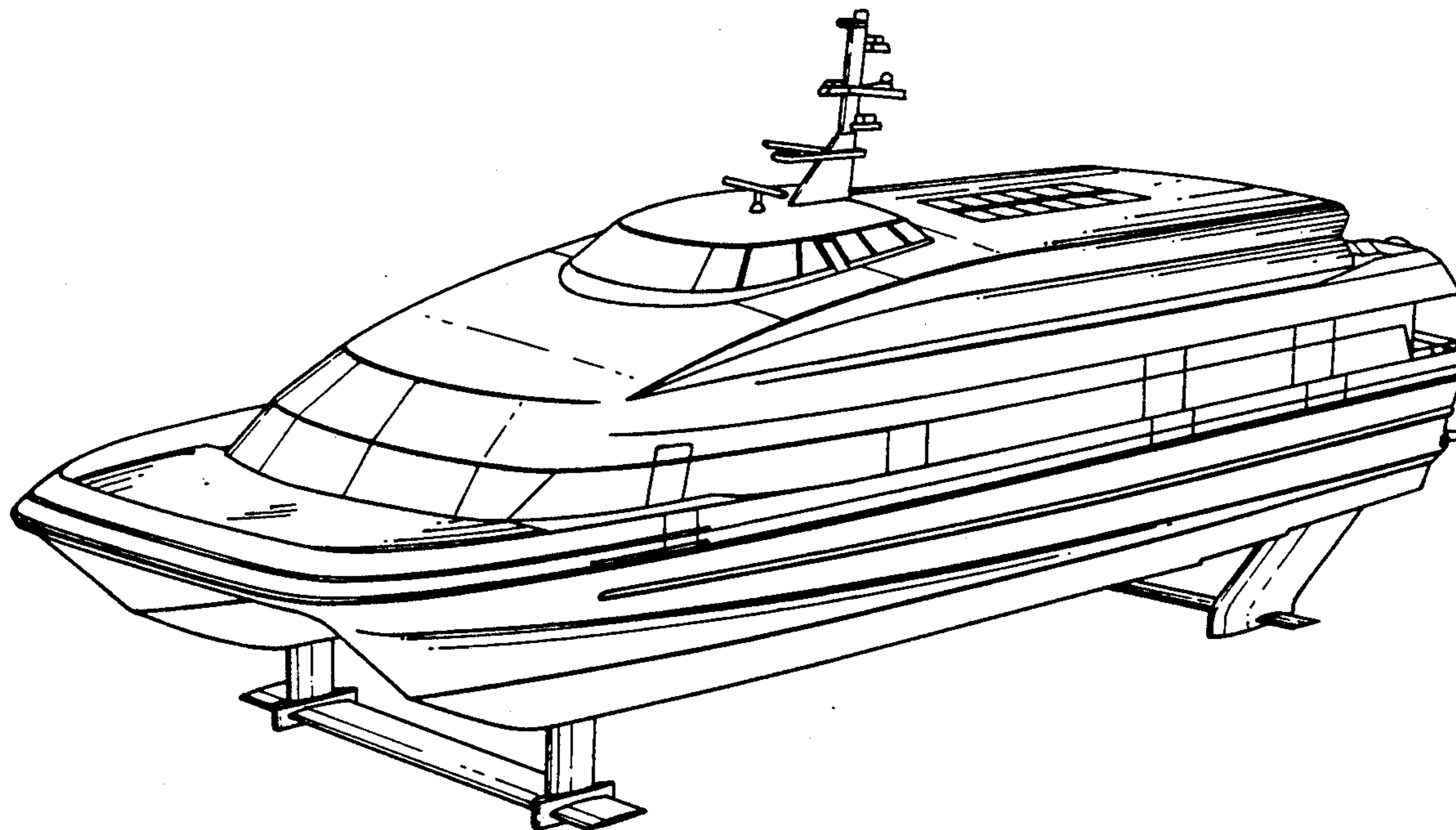
[22] Filed: Dec. 11, 1991

DESCRIPTION

[30] Foreign Application Priority Data

Jun. 11, 1991 [NO] Norway D910455
 [52] U.S. Cl. D12/309; D12/315
 [58] Field of Search D12/300, 309, 315, 318;
 114/270, 282, 280

FIG. 1 is a front, top and left side perspective view of a vessel showing my new design;
 FIG. 2 is a front elevational view thereof;
 FIG. 3 is a rear elevational view thereof;
 FIG. 4 is a top plan view thereof;
 FIG. 5 is a bottom plan view thereof;
 FIG. 6 is a left side elevational view thereof; and,
 FIG. 7 is a right side elevational view thereof.



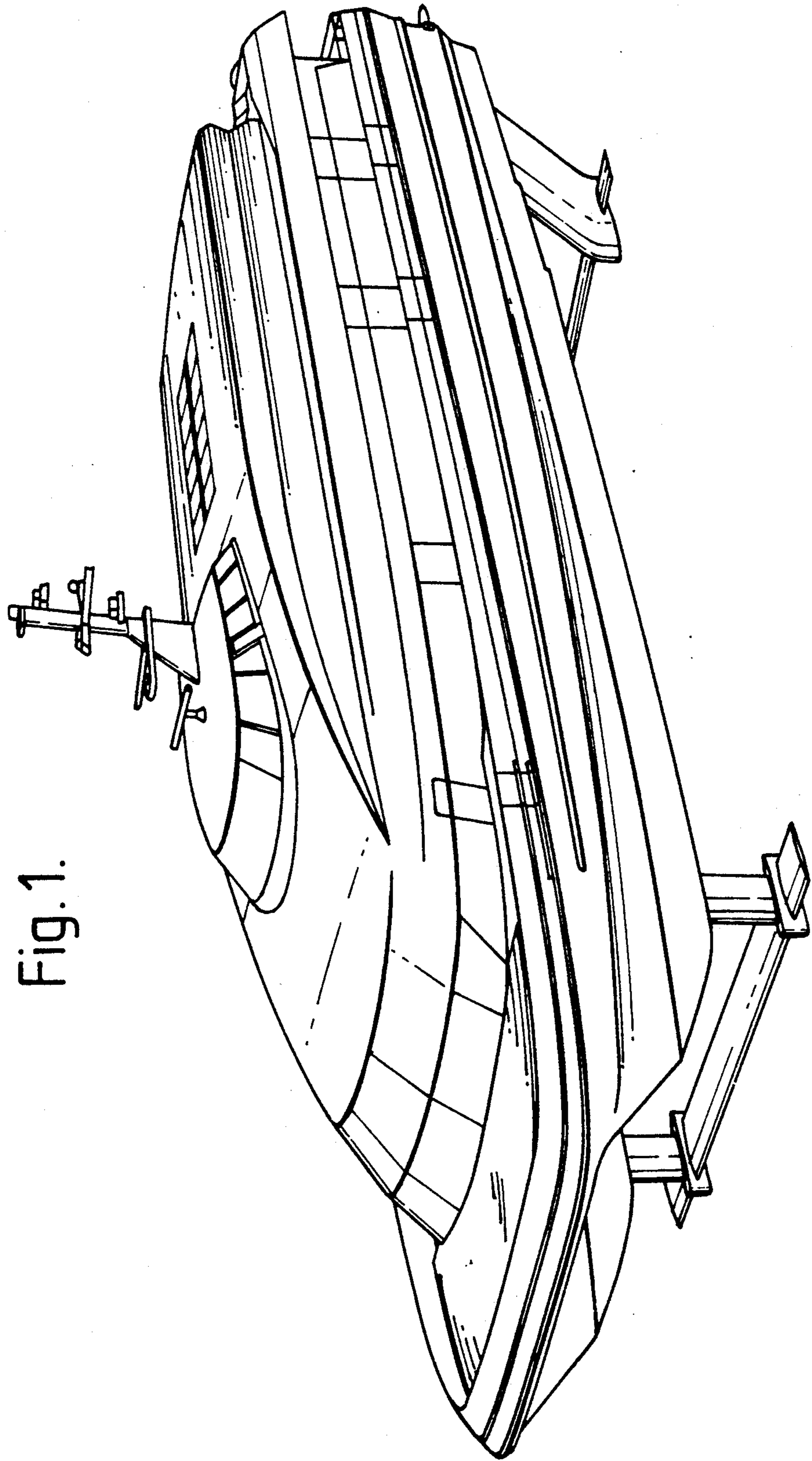


Fig. 1.

Fig. 2.

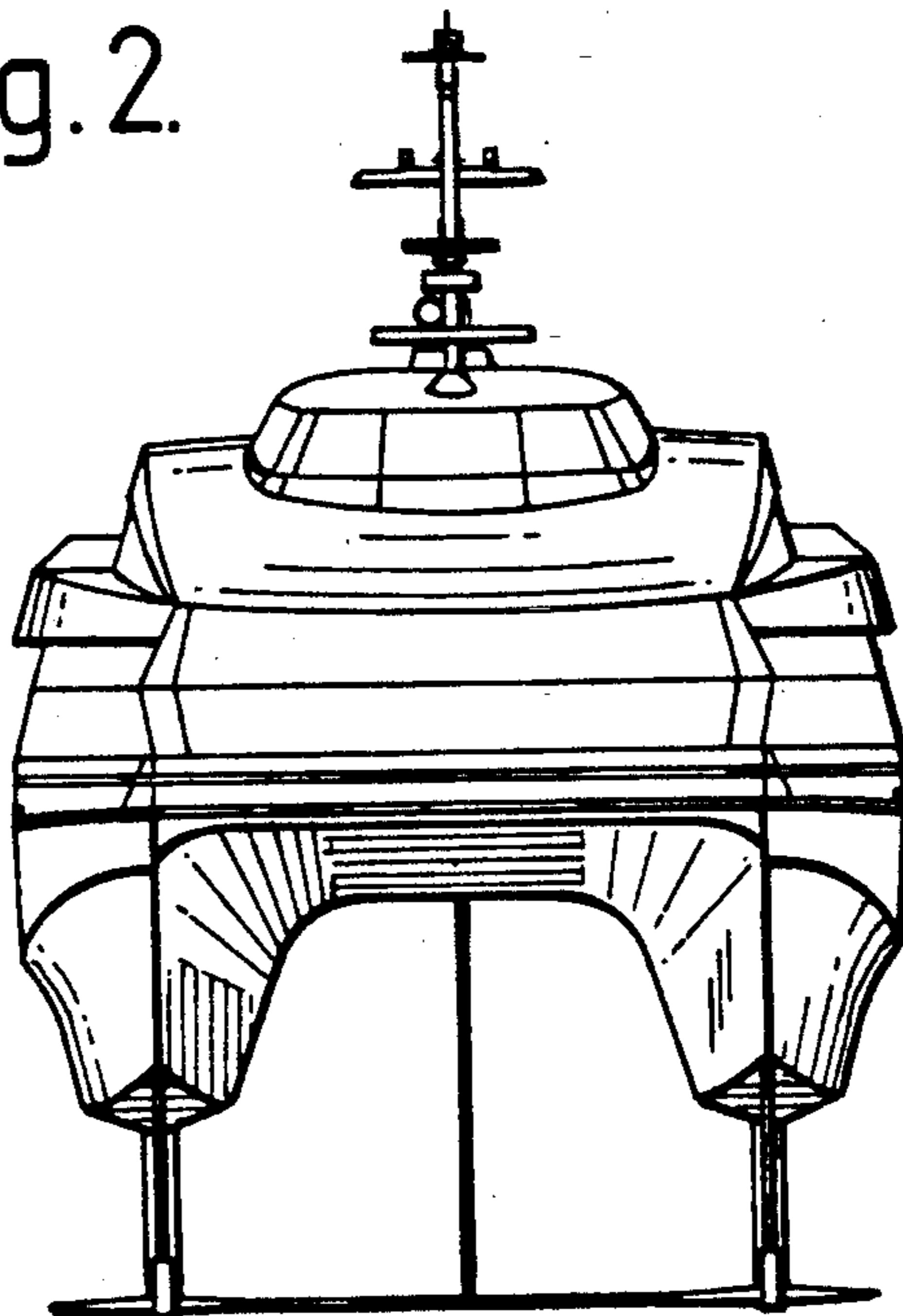


Fig. 3.

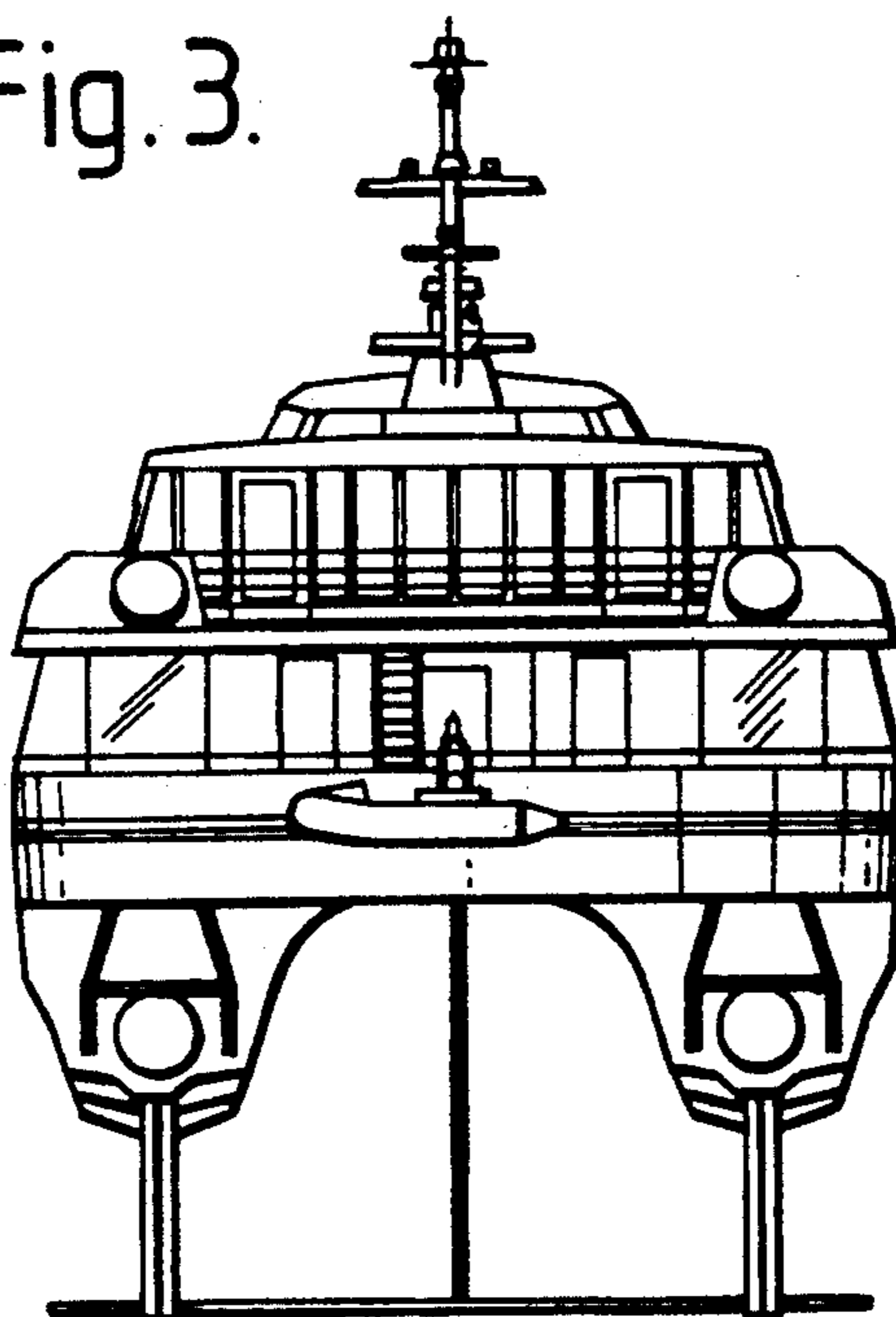


Fig.4.

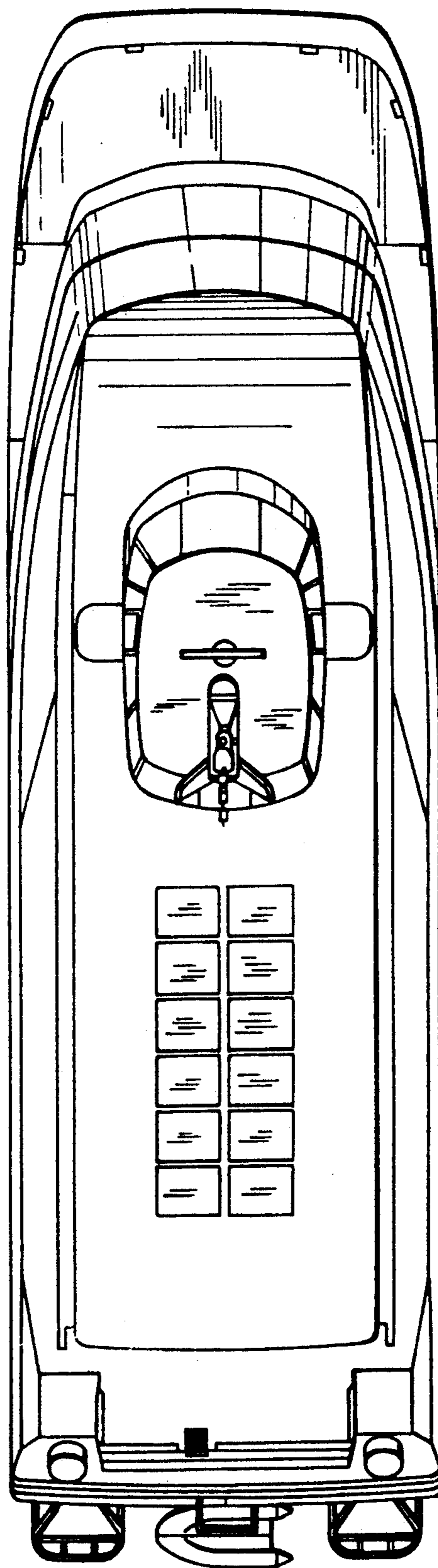


Fig. 5.

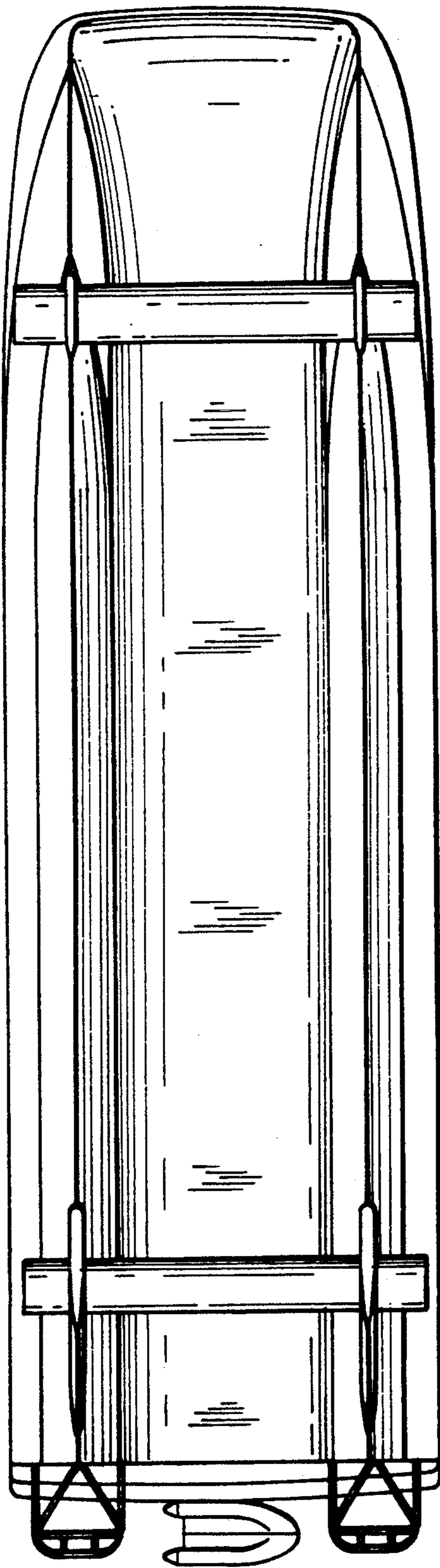


Fig. 6.

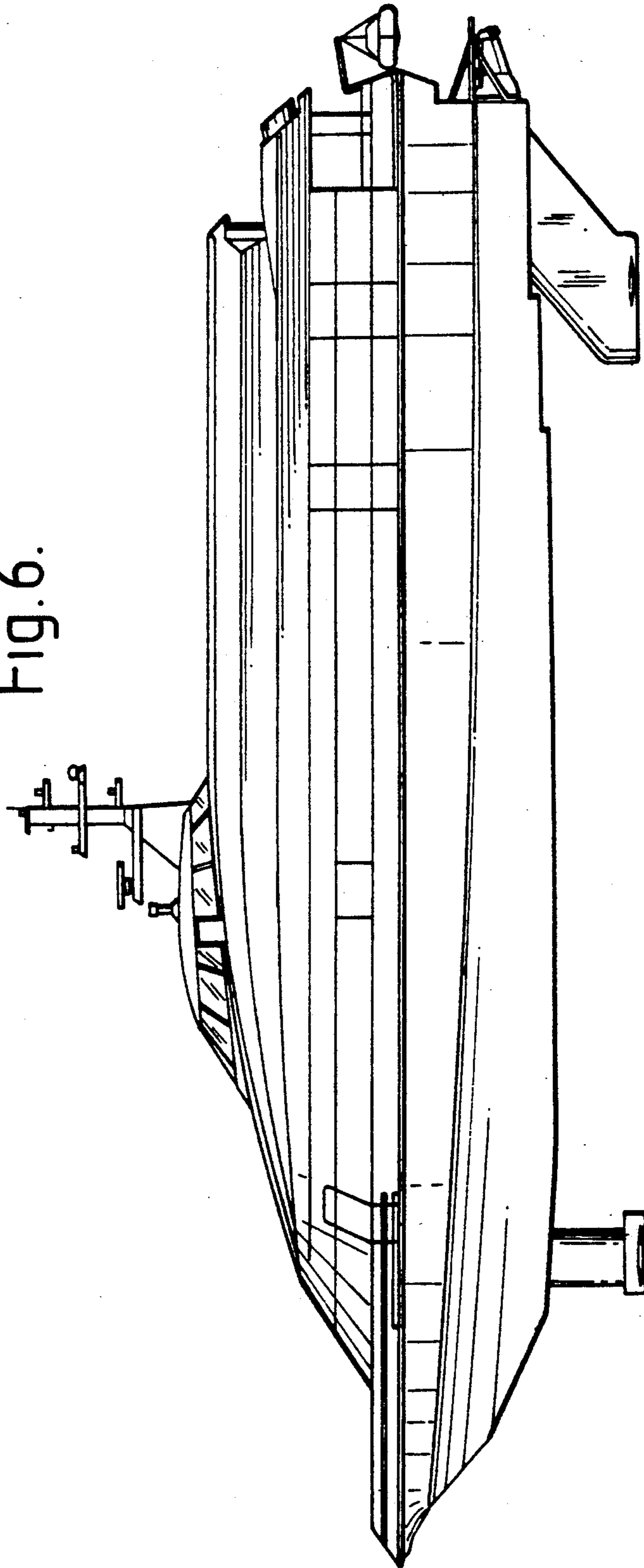


Fig. 7.

