



US00D334371S

# United States Patent [19]

[11] Patent Number: **Des. 334,371**

**Hodges**

[45] Date of Patent: **\*\* Mar. 30, 1993**

[54] TIRE

[75] Inventor: **Emory E. Hodges, Simpsonville, S.C.**

[73] Assignee: **Michelin Recherche et Technique, Switzerland**

[\*\*] Term: **14 Years**

[21] Appl. No.: **772,047**

[22] Filed: **Oct. 7, 1991**

[52] U.S. Cl. .... **D12/147**

[58] Field of Search ..... **D12/140, 146-151; 152/209 R, 209 B, 209 D**

### OTHER PUBLICATIONS

1990 Tread Design Guide, p. 103, Cordovan Power King All Position Radial LT Tire, third row down from top, left side of page.

Tread Design Guide 1991, p. 33, Gislaved Nord Frost Tire.

Tread Design Guide 1991, pp. 46, Michelin XM&S 300 Tire.

Tread Design Guide 1986, p. 51, Michelin XM&S 200 Tire.

*Primary Examiner*—James M. Gandy

*Attorney, Agent, or Firm*—Finnegan, Henderson, Farabow, Garrett & Dunner

### [57] CLAIM

The ornamental design for a tire, as shown and described.

### DESCRIPTION

FIG. 1 is a perspective view of a tire showing my new design, it being understood that the tread pattern is repeated throughout the circumference of the tire, as shown schematically by solid lines, the opposite side being substantially the same as that illustrated; and, FIG. 2 is a plan view thereof.

### [56] References Cited

#### U.S. PATENT DOCUMENTS

D. 247,107	1/1978	Jamain	.....	D12/146
D. 283,996	5/1986	Kuramochi et al.	.....	D12/147
D. 301,857	6/1989	Clunk et al.	.....	D12/147
D. 317,741	6/1991	Kuroda	.....	D12/147

#### FOREIGN PATENT DOCUMENTS

61606	3/1988	Japan	.....	152/209 R
78805	4/1988	Japan	.....	152/209 D

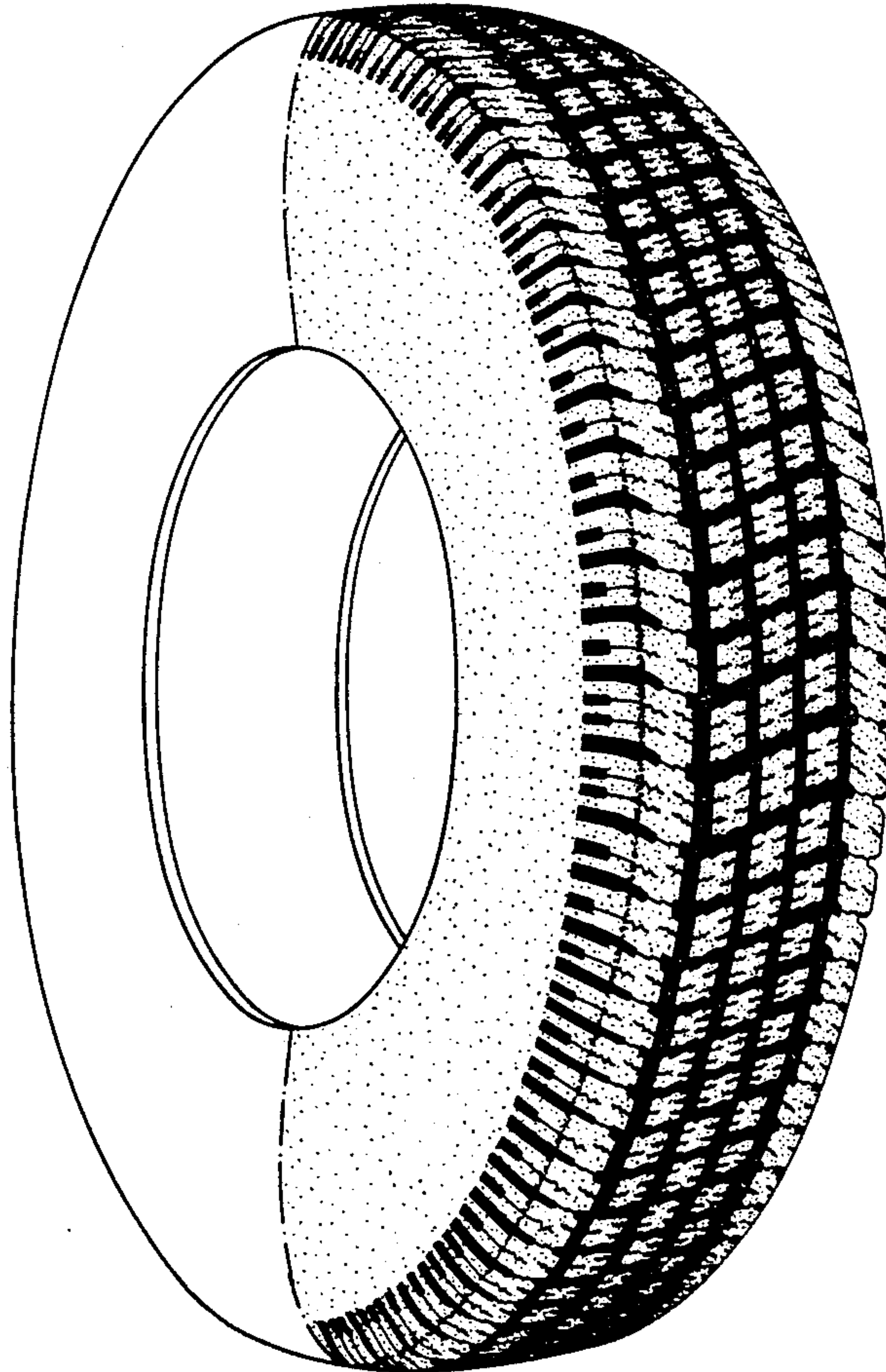


FIG. 1

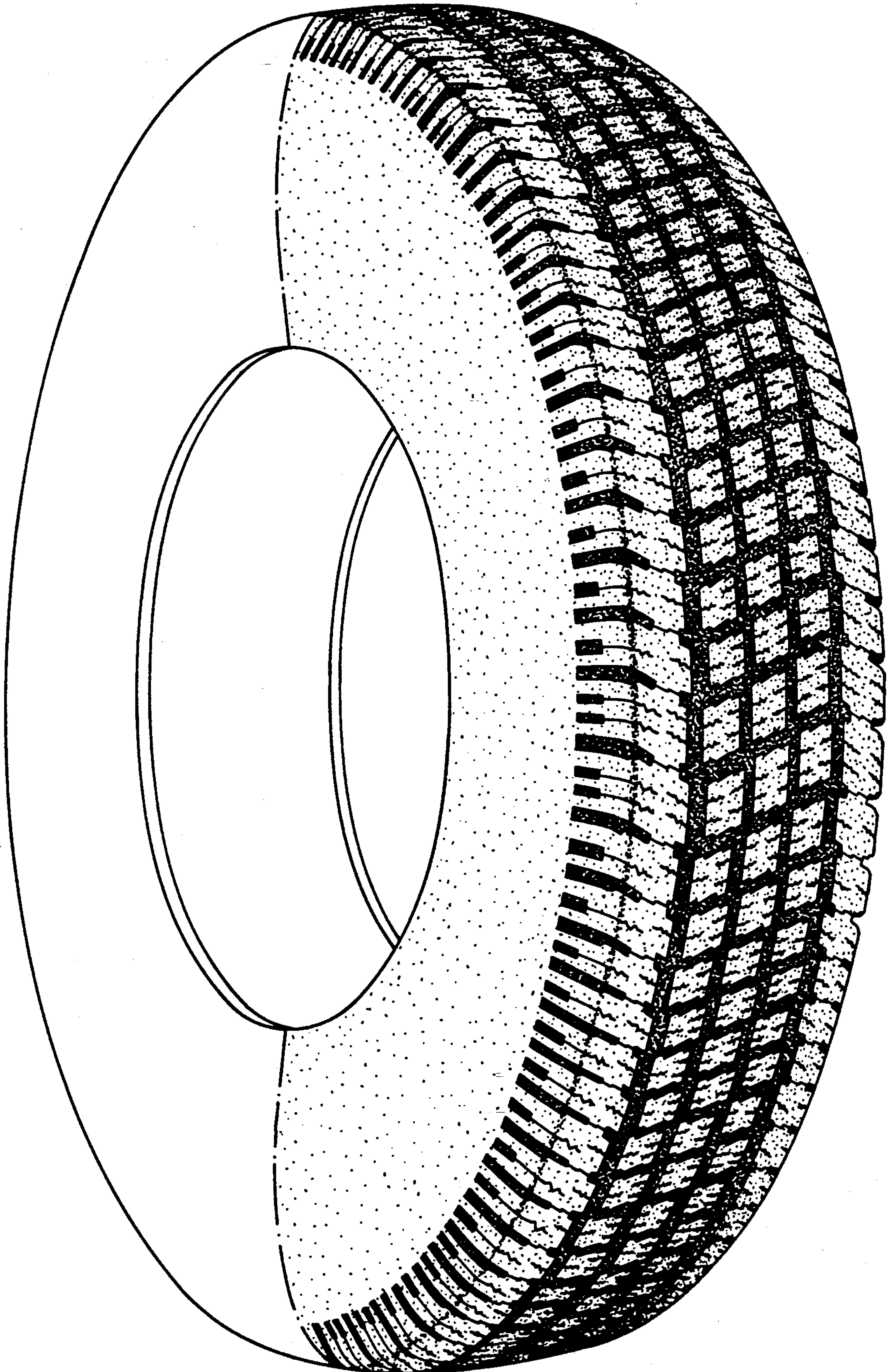




FIG. 2

