



US00D334367S

United States Patent [19]

[11] Patent Number: Des. 334,367

White

[45] Date of Patent: ** Mar. 30, 1993

[54] TIRE

[75] Inventor: Timothy A. White, Greer, S.C.

[73] Assignee: Michelin Recherche et Technique, Switzerland

[**] Term: 14 Years

[21] Appl. No.: 762,212

[22] Filed: Sep. 19, 1991

[52] U.S. Cl. D12/147

[58] Field of Search D12/136, 137, 145-151; 152/209 R, 209 B, 209 D

Tread Design Guide 1991, p. 14, Bridgestone SF 406 tire.

Tread Design Guide 1991, p. 14, Bridgestone SF 134 tire.

Tread Design Guide 1991, p. 15, Bridgestone SF 321 tire.

Tread Design Guide 1991, p. 46, Michelin XHM+S tire.

Primary Examiner—James M. Gandy
Attorney, Agent, or Firm—Finnegan, Henderson, Farabow, Garrett & Dunner

[57] CLAIM

The ornamental design for a tire, as shown and described.

[56] References Cited

U.S. PATENT DOCUMENTS

D. 262,282	12/1981	Peron	D12/147
D. 269,336	6/1983	Yurkovich	D12/146
D. 291,429	8/1987	Messer	D12/147
D. 307,407	4/1990	Minamitani	D12/147
D. 309,884	8/1990	Kitagawa	D12/146
D. 311,889	11/1990	Guermandi et al.	D12/146
D. 312,603	12/1990	Yarborough	D12/146

OTHER PUBLICATIONS

1990 Tread Design Guide, p. 103, Cooper Discoverer M/S Tire, Second Tire In From Top Left Side of Page.
1989 Tread Design Guide, p. 239, National-1100 Radial 78-70 Passenger Highway Tire, Third Row Down From Top, Center of Page.

DESCRIPTION

FIG. 1 is a perspective view of a tire showing my new design, it being understood that the tread pattern is substantially repeated throughout the circumference of the tire, as shown schematically by solid lines, the opposite side being substantially the same as that illustrated; FIG. 2 is a plan view of the tire of FIG. 1; FIG. 3 is a perspective view of a tire showing a second embodiment of my new design, it being understood that the tread pattern is substantially repeated throughout the circumference of the tire, as shown schematically by solid lines, the opposite side being substantially the same as that illustrated; and, FIG. 4 is a plan view of the tire of FIG. 3.

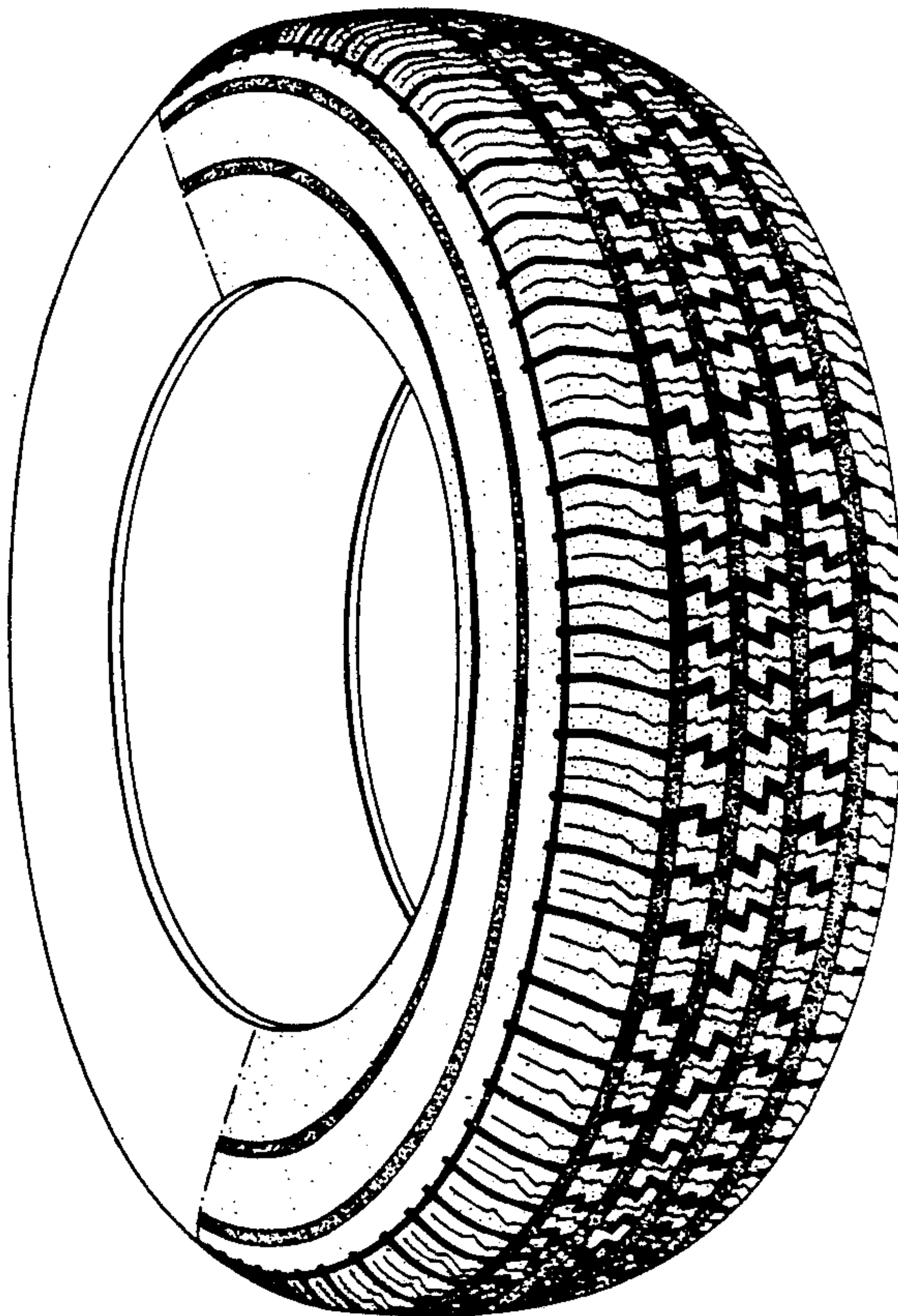


FIG. 1

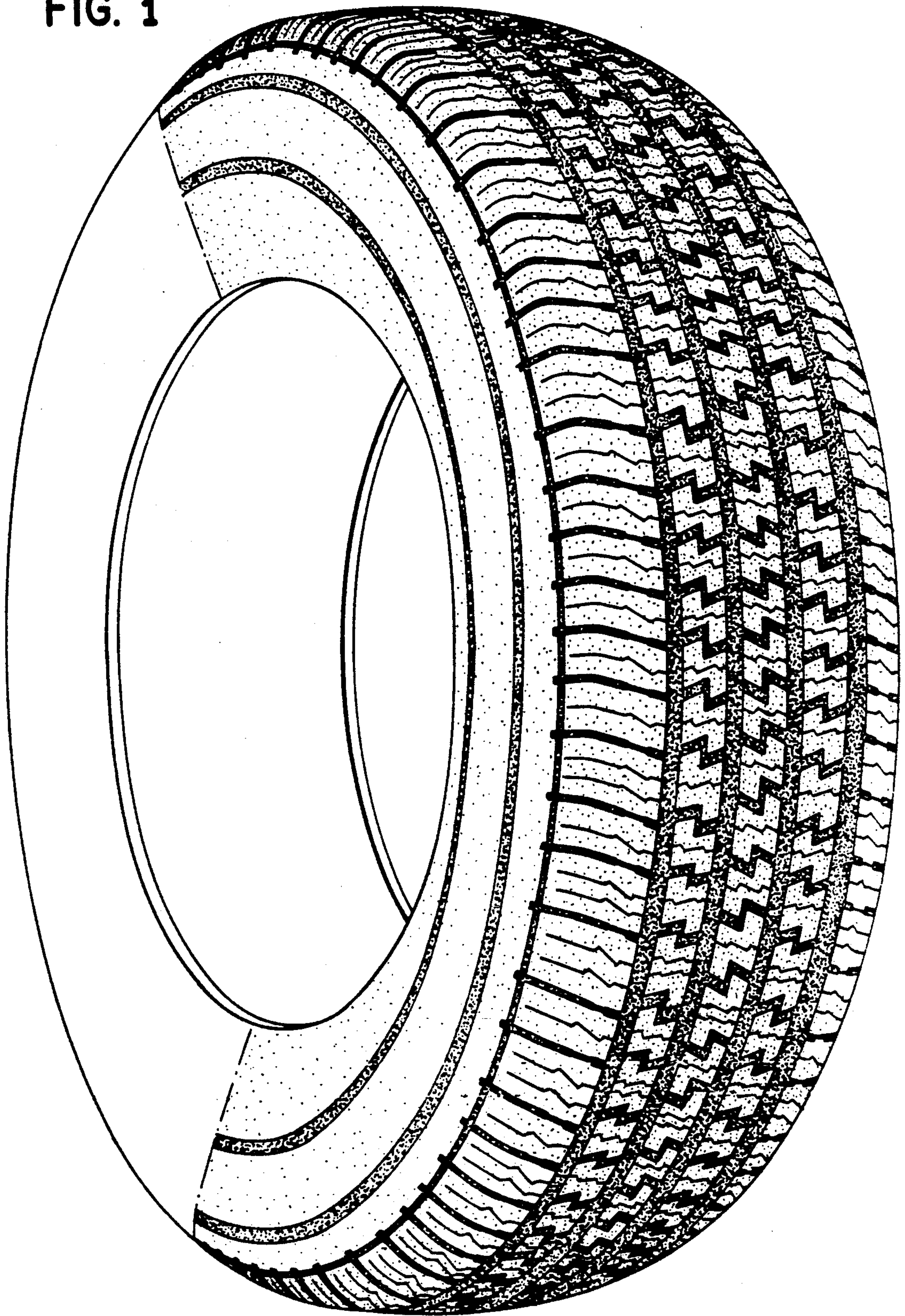


FIG. 2

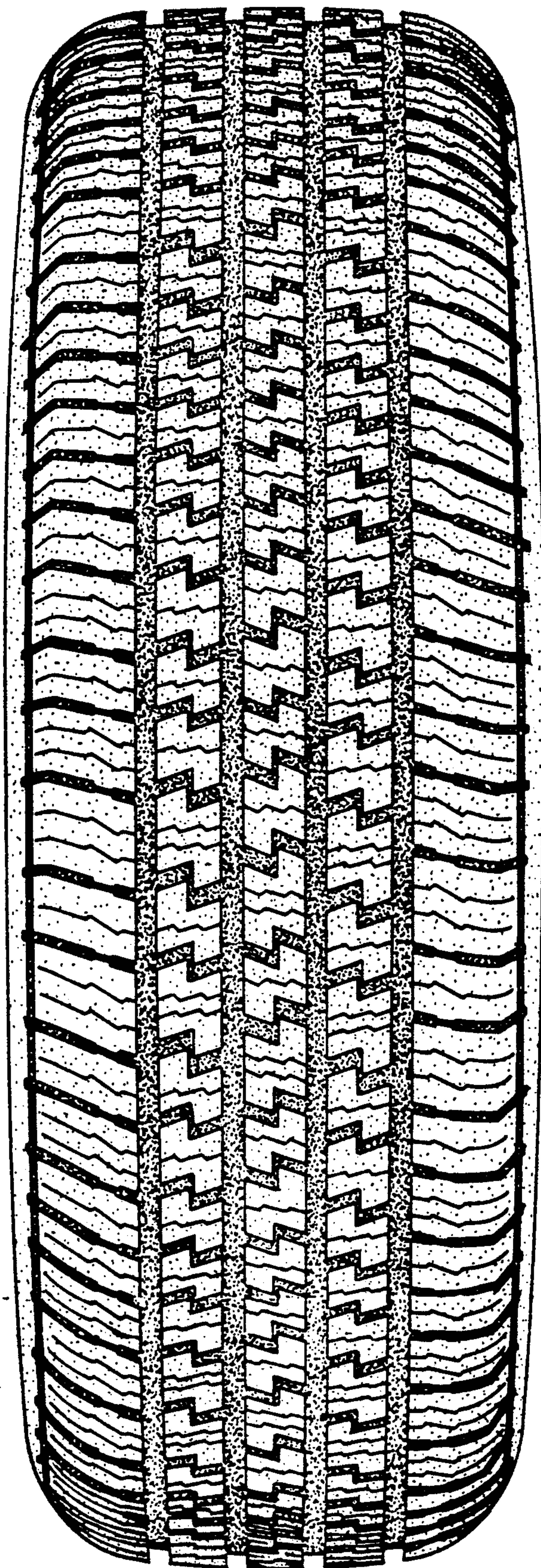


FIG. 3

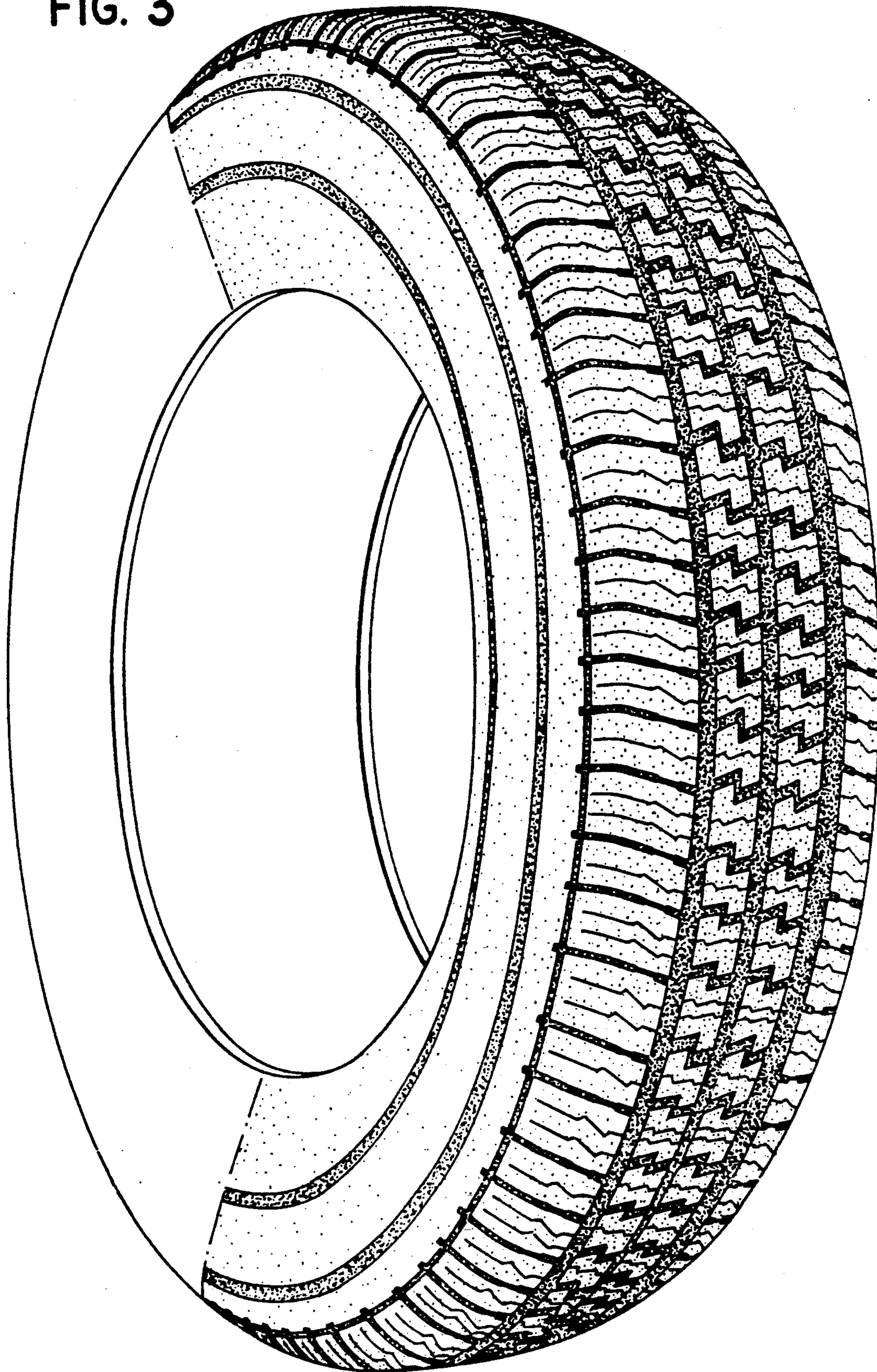


FIG. 4

