



US00D334363S

United States Patent [19]

[11] Patent Number: **Des. 334,363**

Grenie

[45] Date of Patent: **** Mar. 30, 1993**

[54] TIRE

[75] Inventor: **Philippe Grenie, Greer, S.C.**

[73] Assignee: **Michelin Recherche et Technique, Switzerland**

[**] Term: **14 Years**

[21] Appl. No.: **721,211**

[22] Filed: **Jun. 25, 1991**

[52] U.S. Cl. **D12/147**

[58] Field of Search **D12/137, 140, 145-151; 152/209 R, 209 B, 209 D**

[56] **References Cited**

U.S. PATENT DOCUMENTS

D. 290,942	7/1987	Messer	D12/147
D. 291,429	8/1987	Messer	D12/147
D. 293,664	1/1988	Hayakawa et al.	D12/140
4,986,324	1/1991	Suzuki et al.	152/209 R

OTHER PUBLICATIONS

1989 Tread Design Guide, p. 26, Dean Quasar Radial Tire, second row down from top, right side of page.
Tread Design Guide 1991, p. 40, Kleber C 50 H Tire.
Tread Design Guide 1991, p. 107, Dunlop Gold Seal 70 Tire.

Primary Examiner—James M. Gandy
Attorney, Agent, or Firm—Finnegan, Henderson, Farabow, Garrett & Dunner

[57] CLAIM

The ornamental design for a tire, as shown and described.

DESCRIPTION

FIG. 1 is a perspective view of a tire showing our new design, it being understood that the tread pattern is repeated throughout the circumference of the tire, as shown schematically by solid lines, the opposite side being substantially the same as that illustrated; and, FIG. 2 is an enlarged fragmentary plan view of the tread pattern of FIG. 1 showing our new design.

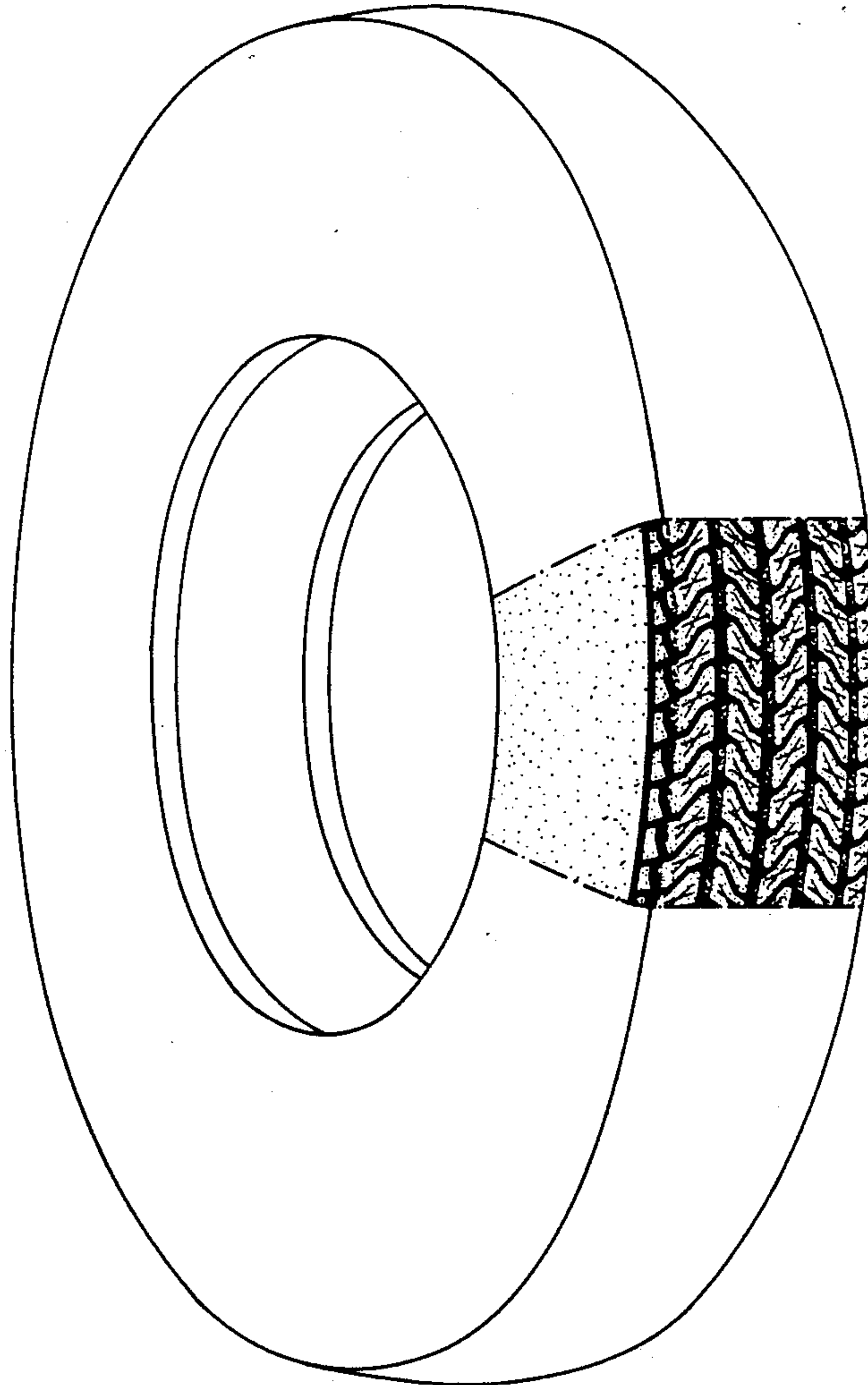


FIG. 1

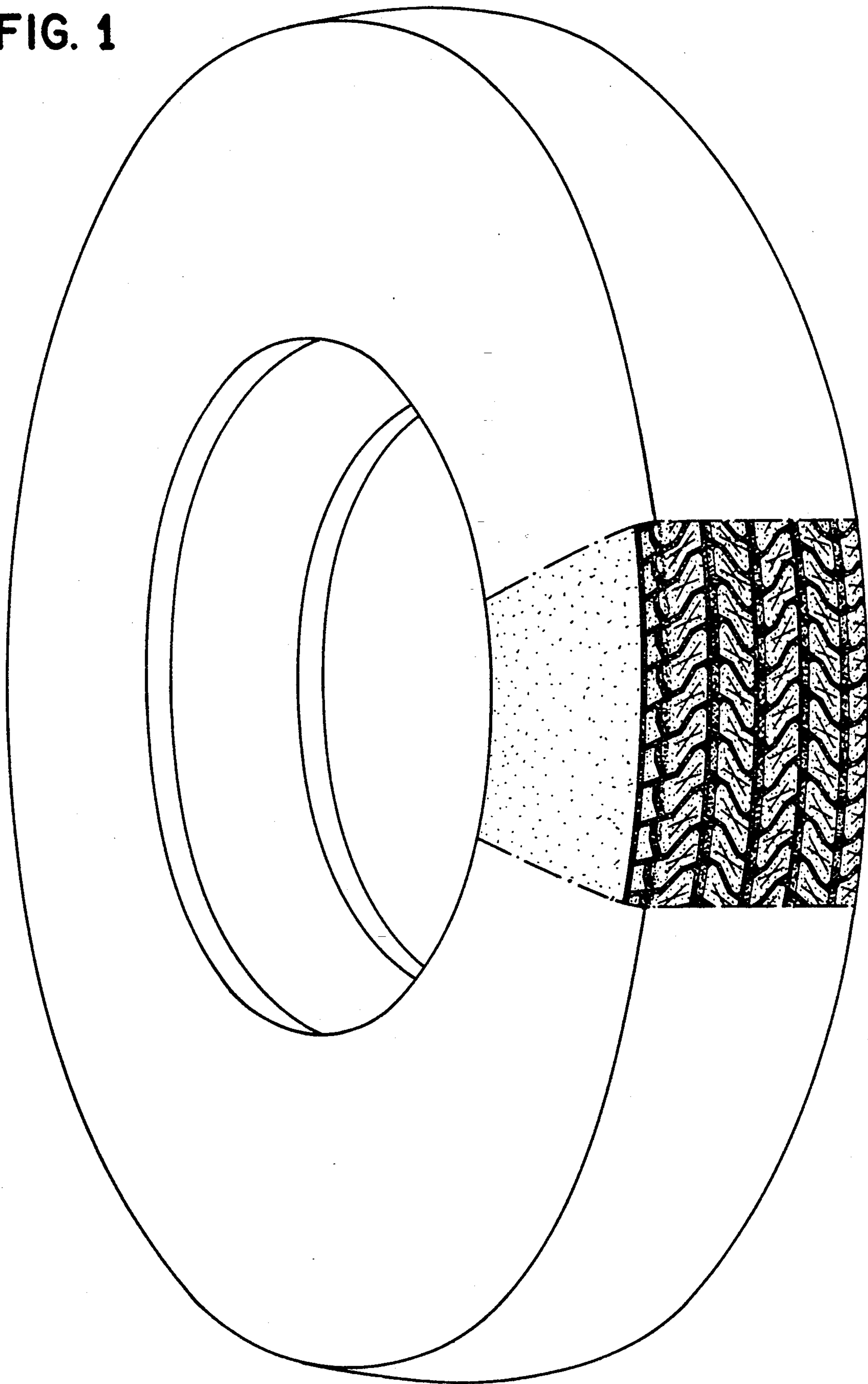


FIG. 2

