



US00D334362S

# United States Patent [19]

[11] Patent Number: **Des. 334,362**

Stone et al.

[45] Date of Patent: **\*\* Mar. 30, 1993**

- [54] TIRE
- [75] Inventors: **James E. Stone, Travelers Rest;**  
**David A. Weston, Taylors, both of**  
**S.C.**
- [73] Assignee: **Michelin Recherche et Technique,**  
**Switzerland**
- [\*\*] Term: **14 Years**
- [21] Appl. No.: **674,046**
- [22] Filed: **Mar. 25, 1991**
- [52] U.S. Cl. .... **D12/147; D12/141**
- [58] Field of Search ..... **D12/141-143,**  
**D12/145-151; 152/209 R, 209 B, 209 D**

- Tread Design Guide 1990, p. 189, Yokohama RY 083 Tire.
- Tread Design Guide 1990, p. 190, Yokohama RY 112 Tire.
- Tread Design Guide 1990, p. 171, Michelin XZA1 Standard Tire.
- Tread Design Guide 1990, p. 172, Michelin XTA Standard Tire.
- Tread Design Guide 1990, p. 149, Bridgestone V Steel Rib 194 Tire.

*Primary Examiner*—James M. Gandy  
*Attorney, Agent, or Firm*—Finnegan, Henderson,  
 Farabow, Garrett & Dunner

### [57] CLAIM

The ornamental design for a tire, as shown and described.

- [56] **References Cited**
- U.S. PATENT DOCUMENTS**
- D. 206,848 1/1967 Berry ..... D12/146
- D. 304,557 11/1989 Ochial ..... D12/146
- D. 304,558 11/1989 Fukumoto ..... D12/146
- D. 312,809 12/1990 Clark et al. .... D12/147

- OTHER PUBLICATIONS**
- Tread Design Guide 1990, p. 77, Yokohama AX 323 Tire.

### DESCRIPTION

FIG. 1 is a perspective view of a tire showing our new design, it being understood that the tread pattern is repeated throughout the circumference of the tire, as shown schematically by solid lines, the opposite side being substantially the same as that illustrated; and, FIG. 2 is an enlarged fragmentary plan view of the tread pattern of FIG. 1 showing our new design.

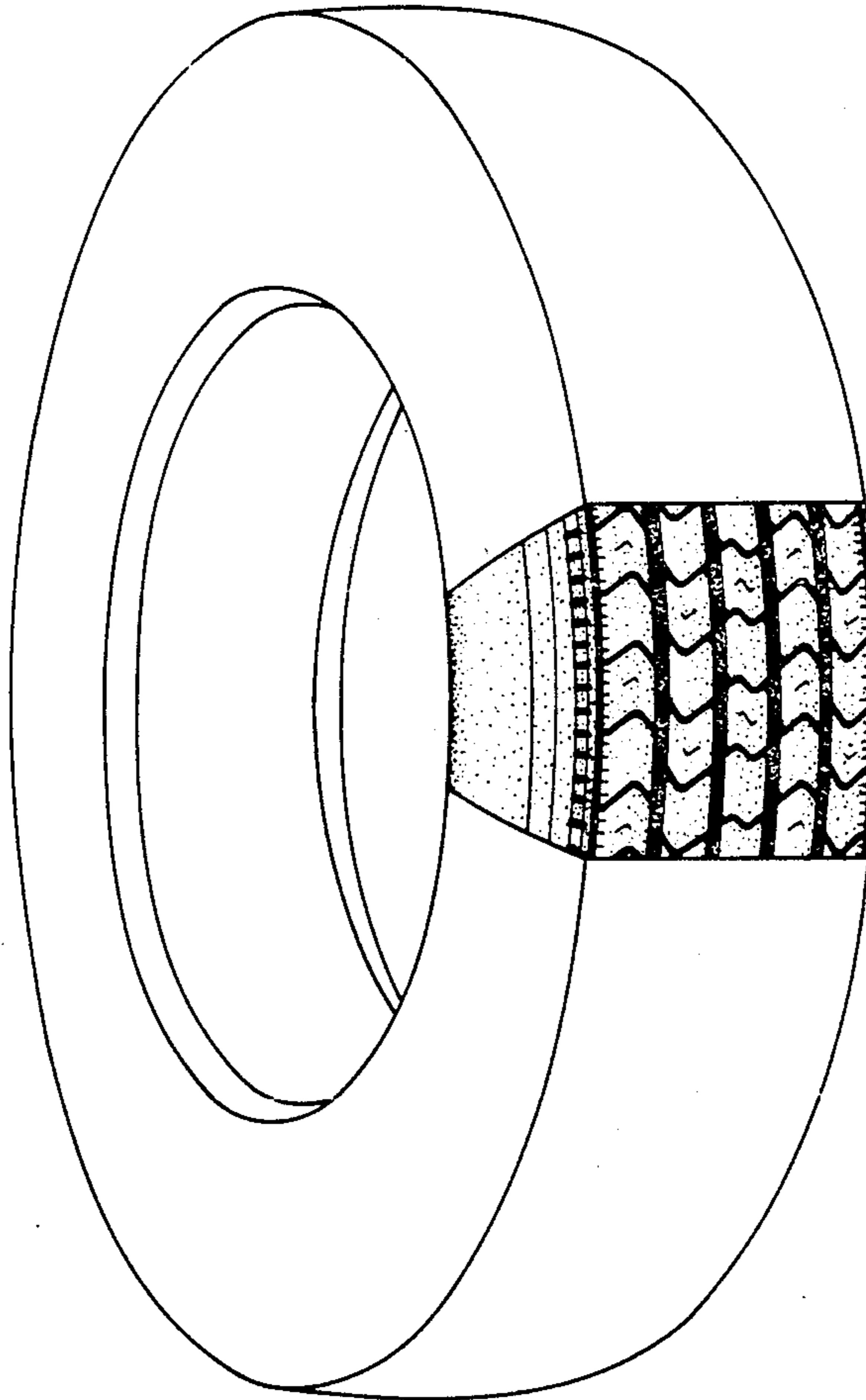


FIG. 1

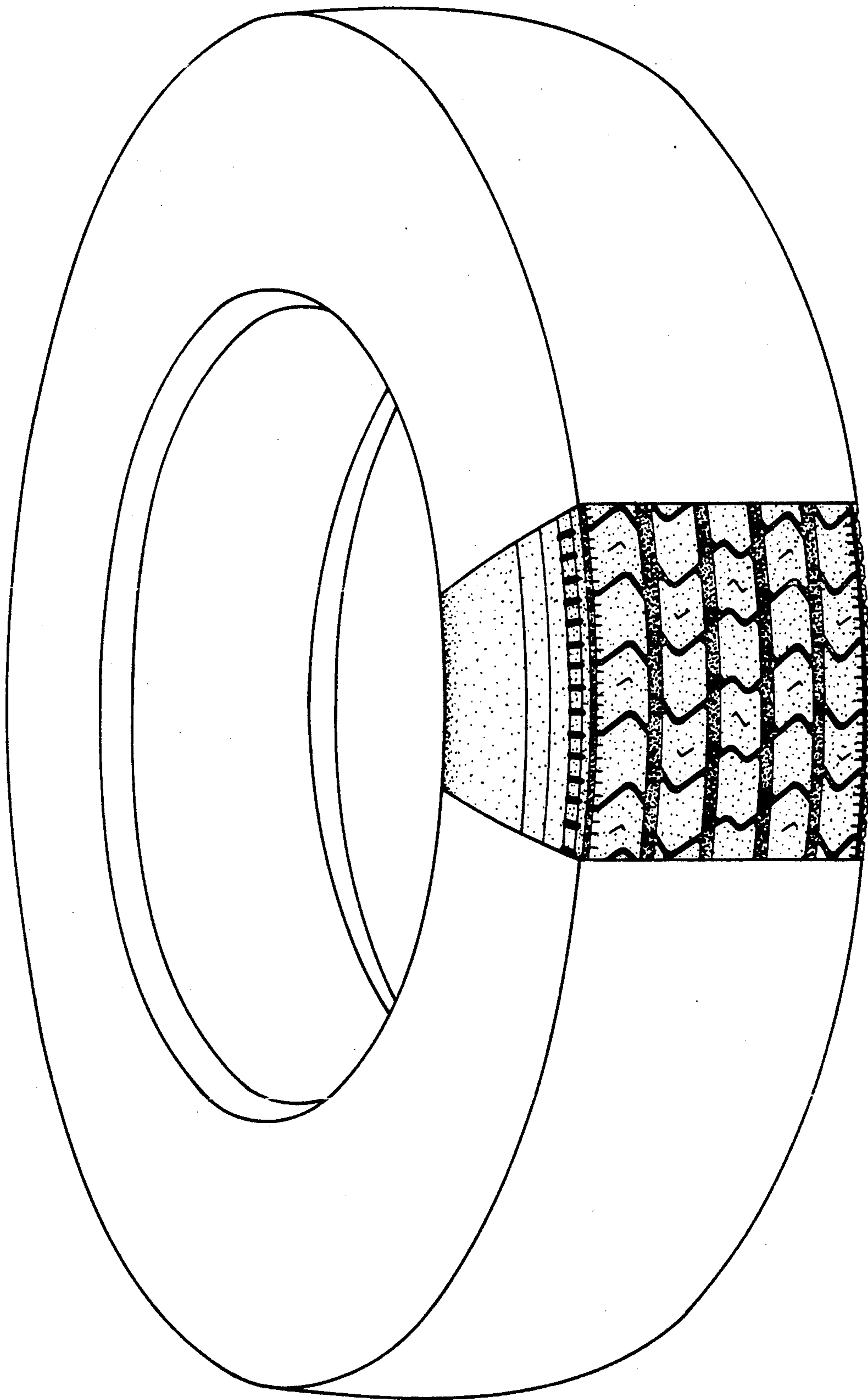


FIG. 2

