



US00D334349S

United States Patent [19]

[11] Patent Number: **Des. 334,349**

Maini

[45] Date of Patent: **** Mar. 30, 1993**

[54] **FLASHING SIGNAL FOR HOME EMERGENCY ALARM SYSTEM**

1,662,136	3/1928	Stevens	362/367
3,863,236	1/1975	Clardy	340/326
4,587,753	5/1986	Harper	.
4,611,265	9/1986	Davis	.
4,642,477	2/1987	Grzanowski	.

[76] Inventor: **Anthony Maini, 9350 Long Meadow Ct., Fenton, Mich. 48430-8739**

[**] Term: **14 Years**

*Primary Examiner—Susan J. Lucas
Attorney, Agent, or Firm—Terry M. Gernstein*

[21] Appl. No.: **510,419**

[57] CLAIM

[22] Filed: **Apr. 17, 1990**

The ornamental design for a flashing signal for home emergency alarm system, as shown and described.

[52] U.S. Cl. **D10/114; D26/87**

[58] Field of Search 340/326, 331, 332;
D26/72, 80-92; D10/114; 362/147, 404-408,
432, 362, 363, 367; 362/432, 362, 363, 367

DESCRIPTION

[56] References Cited

U.S. PATENT DOCUMENTS

D. 74,129	12/1927	Wagner	D26/87
D. 75,438	6/1928	Lindsay	D26/87
D. 189,984	3/1961	Slaten	D10/114 X
D. 316,912	5/1991	Choi	D26/87

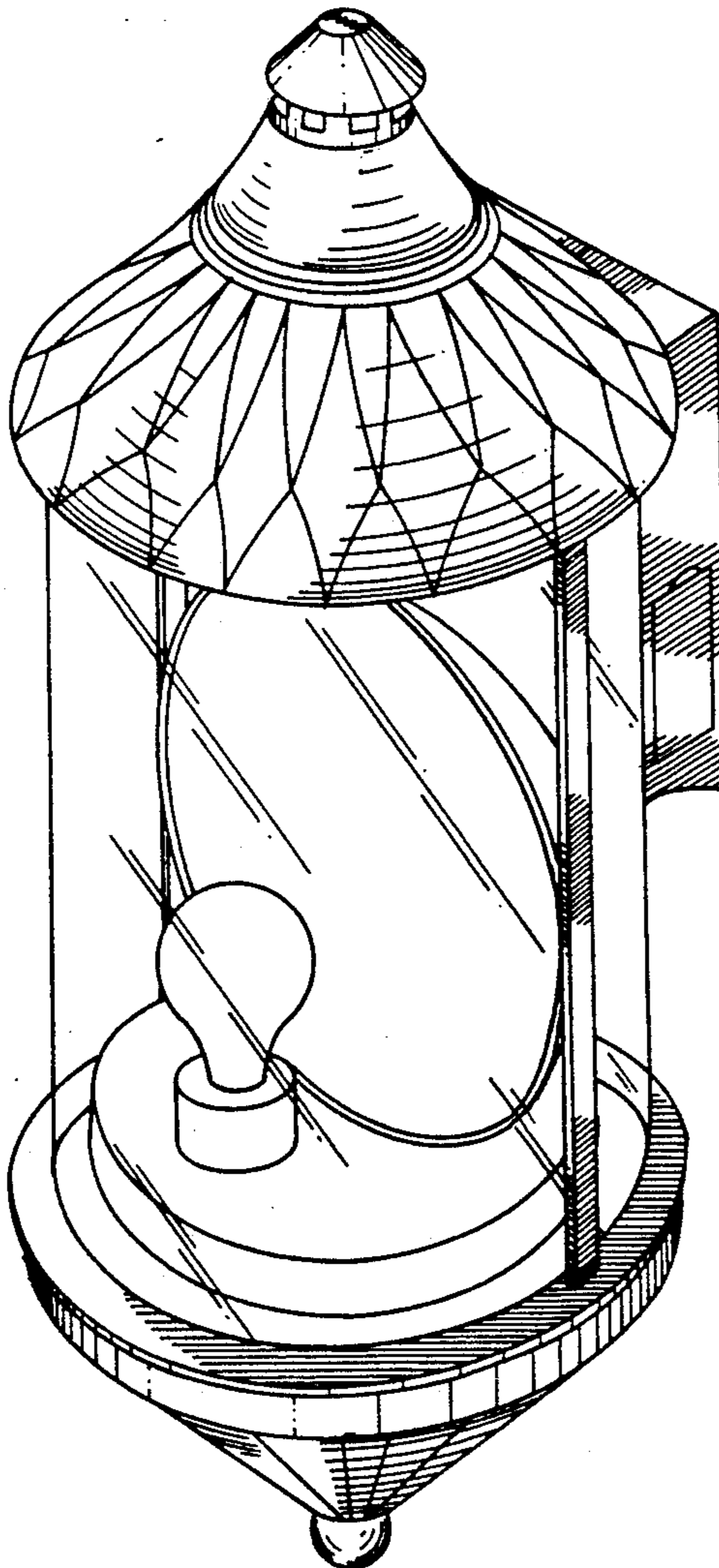
FIG. 1 is a front perspective view of a flashing signal for home emergency alarm system showing my new design;

FIG. 2 is a front elevational view thereof;

FIG. 3 is a side elevational view thereof, the side opposite being a mirror image of the side shown in FIG. 3;

FIG. 4 is a top plan view thereof; and,

FIG. 5 is a bottom view thereof.



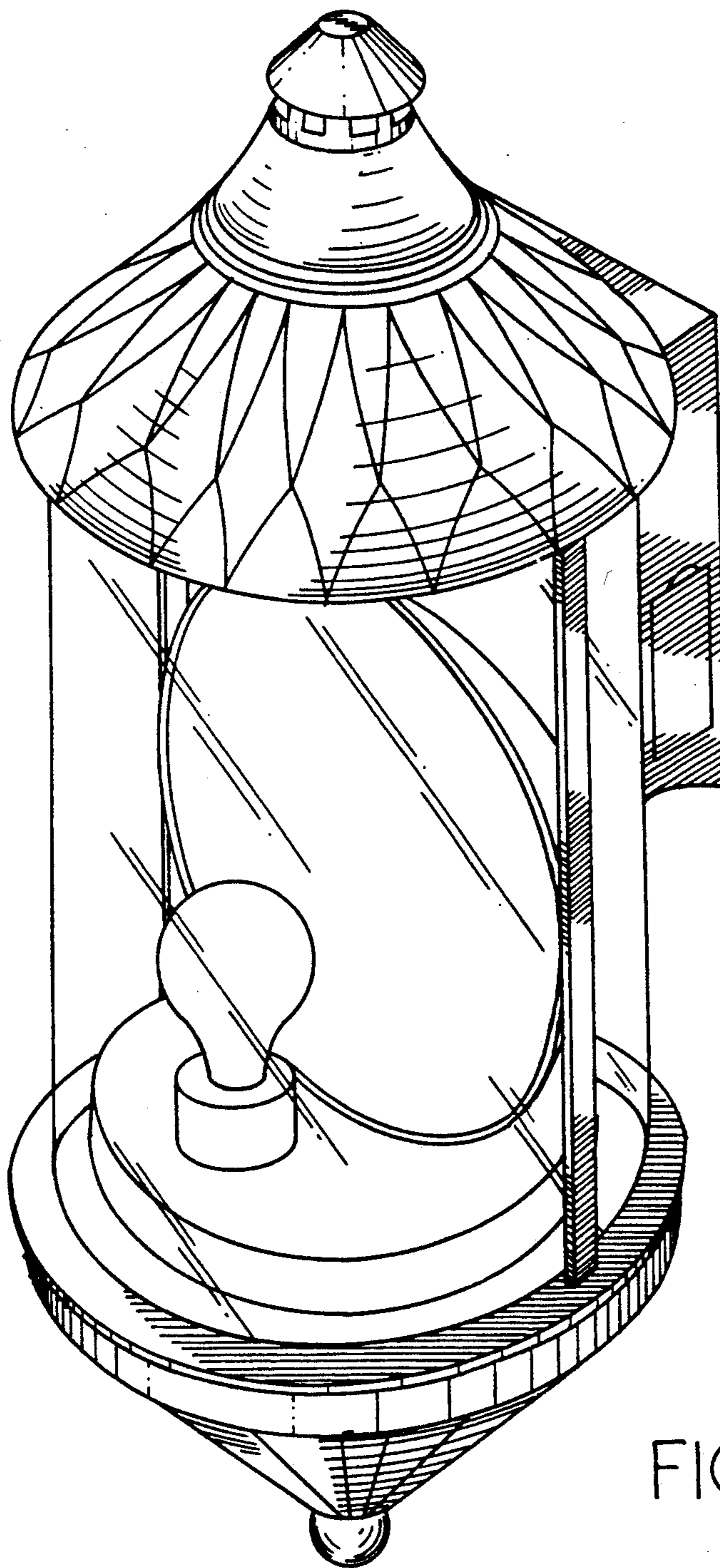


FIG. 1.

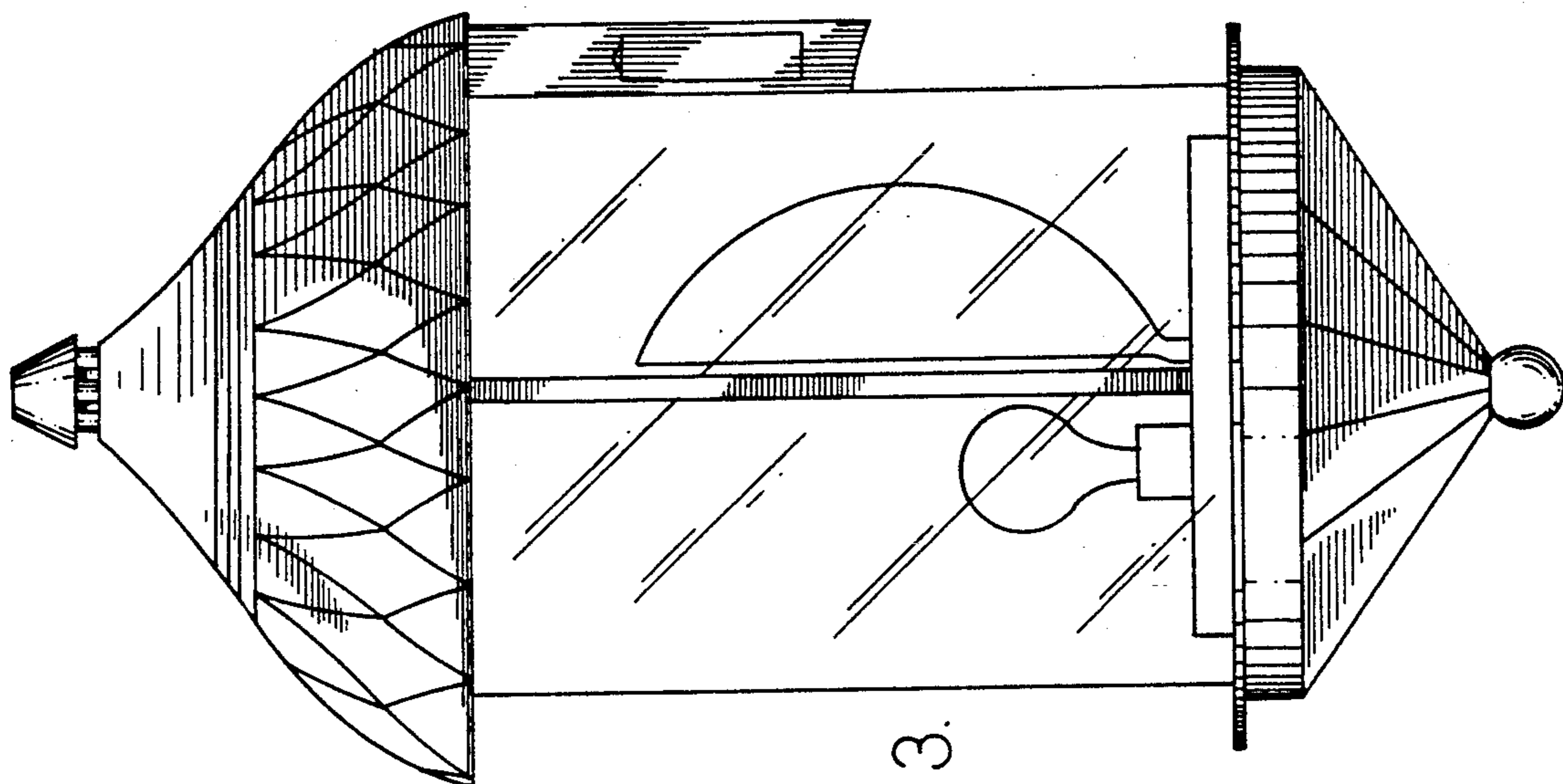


FIG. 3.

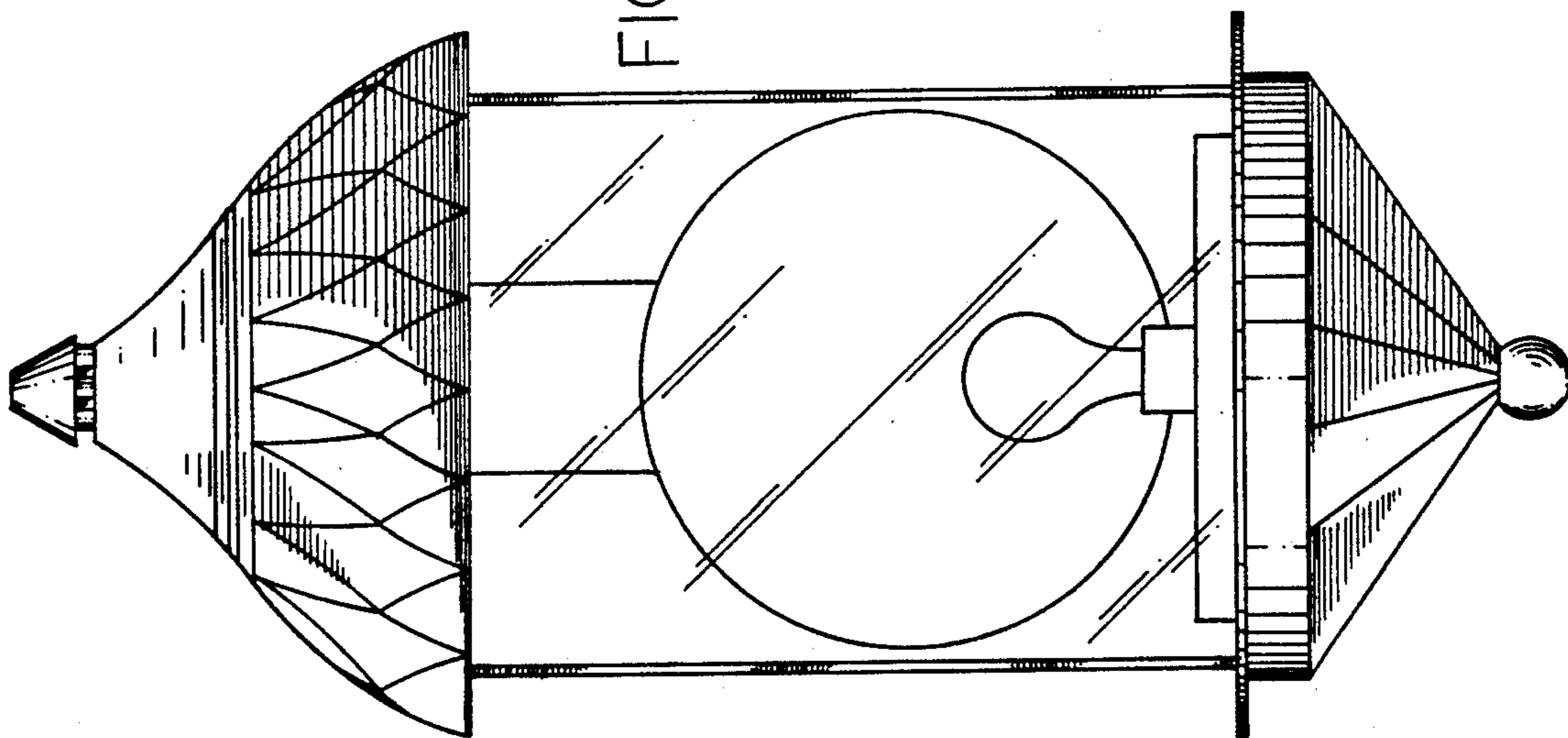


FIG. 2.

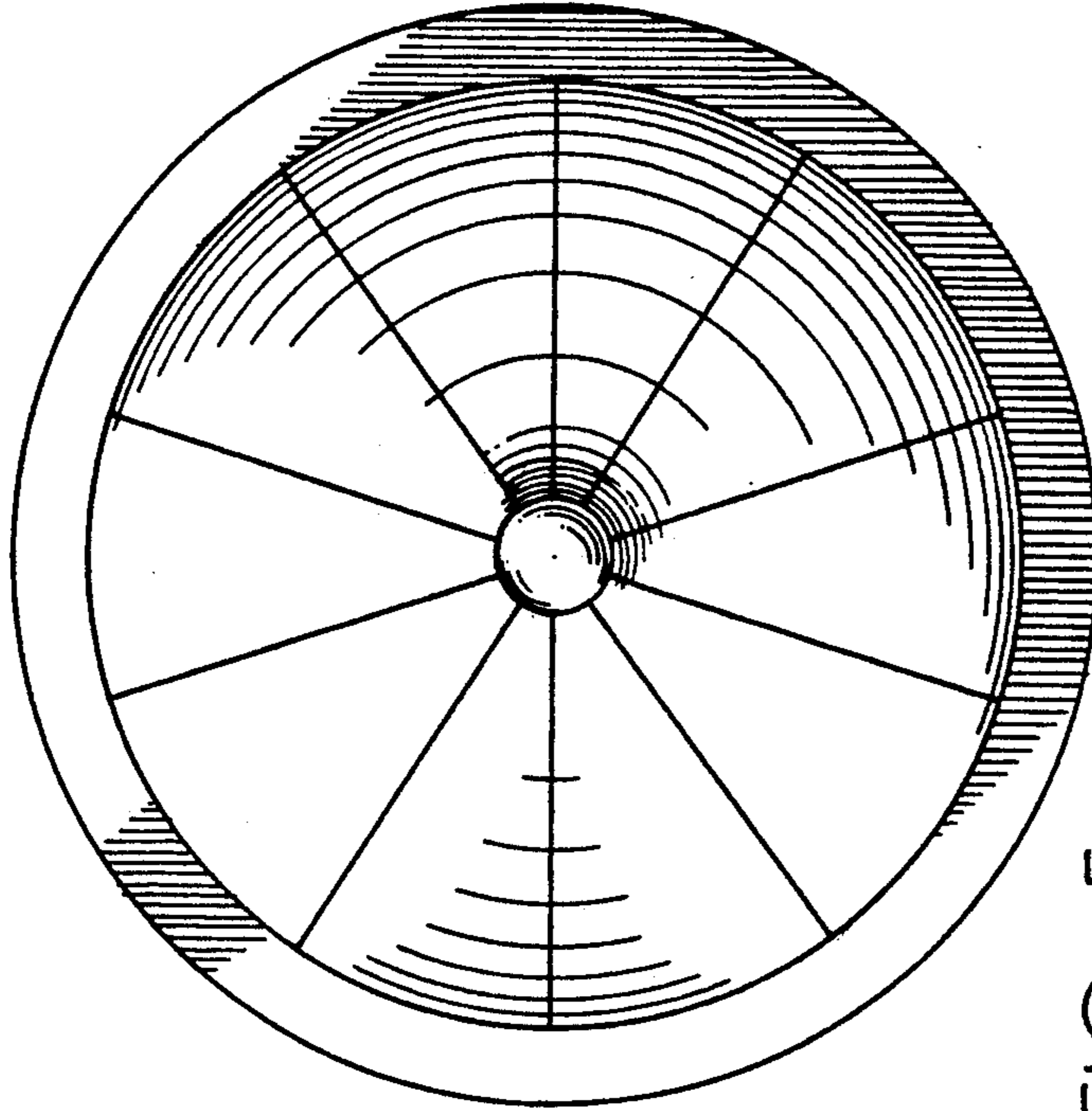


FIG. 5.

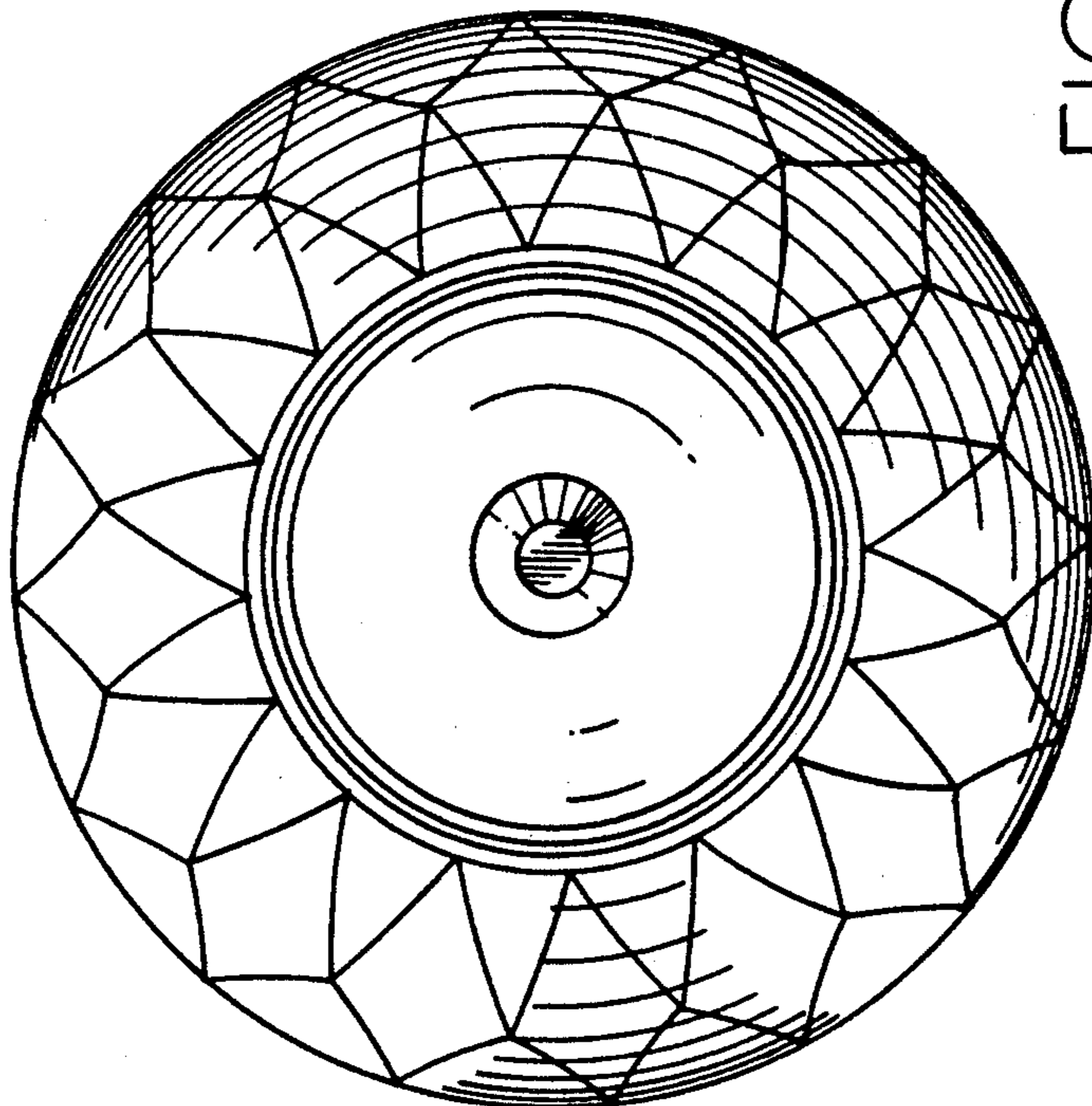


FIG. 4.