



US00D334341S

United States Patent [19]

[11] Patent Number: **Des. 334,341**

Brown et al.

[45] Date of Patent: **** Mar. 30, 1993**

[54] **BOTTLE LID**

[75] Inventors: **Jerrold G. Brown; Phillip W. Hamilton; W. Henry Kahl**, all of Wooster, Ohio

[73] Assignee: **Rubbermaid Incorporated**, Wooster, Ohio

[**] Term: **14 Years**

[21] Appl. No.: **637,885**

[22] Filed: **Jan. 4, 1991**

[52] U.S. Cl. **D9/447; D7/312; D7/605**

[58] Field of Search **D9/435, 447, 449; 222/534, 542, 556, 566, 567, 569, 570, 571; 215/235-243, 295, 303, 304, 306, 355, 356, 363; D7/312, 605**

4,106,665	8/1978	Cannon .	
4,124,151	11/1978	Hazard .	
4,261,486	4/1981	Bush et al. .	
4,281,778	8/1981	Stull .	
4,282,992	8/1981	Chessler .	
4,369,901	1/1983	Hidding .	
4,377,247	3/1983	Hazard et al. .	
4,597,508	7/1986	MacLarty .	
4,635,823	1/1987	Stull .	
4,892,234	1/1990	Bennett .	
5,048,705	9/1991	Lynd et al.	215/229 X

OTHER PUBLICATIONS

P. 4, Rubbermaid Incorporated, Specialty Products Division, 6250 North Honeytown Road, Smithville, Ohio 44677. Publication date 1989.

Primary Examiner—Bernard Ansher
Assistant Examiner—Dominic Simone
Attorney, Agent, or Firm—Richard B. O'Planick

[56] References Cited

U.S. PATENT DOCUMENTS

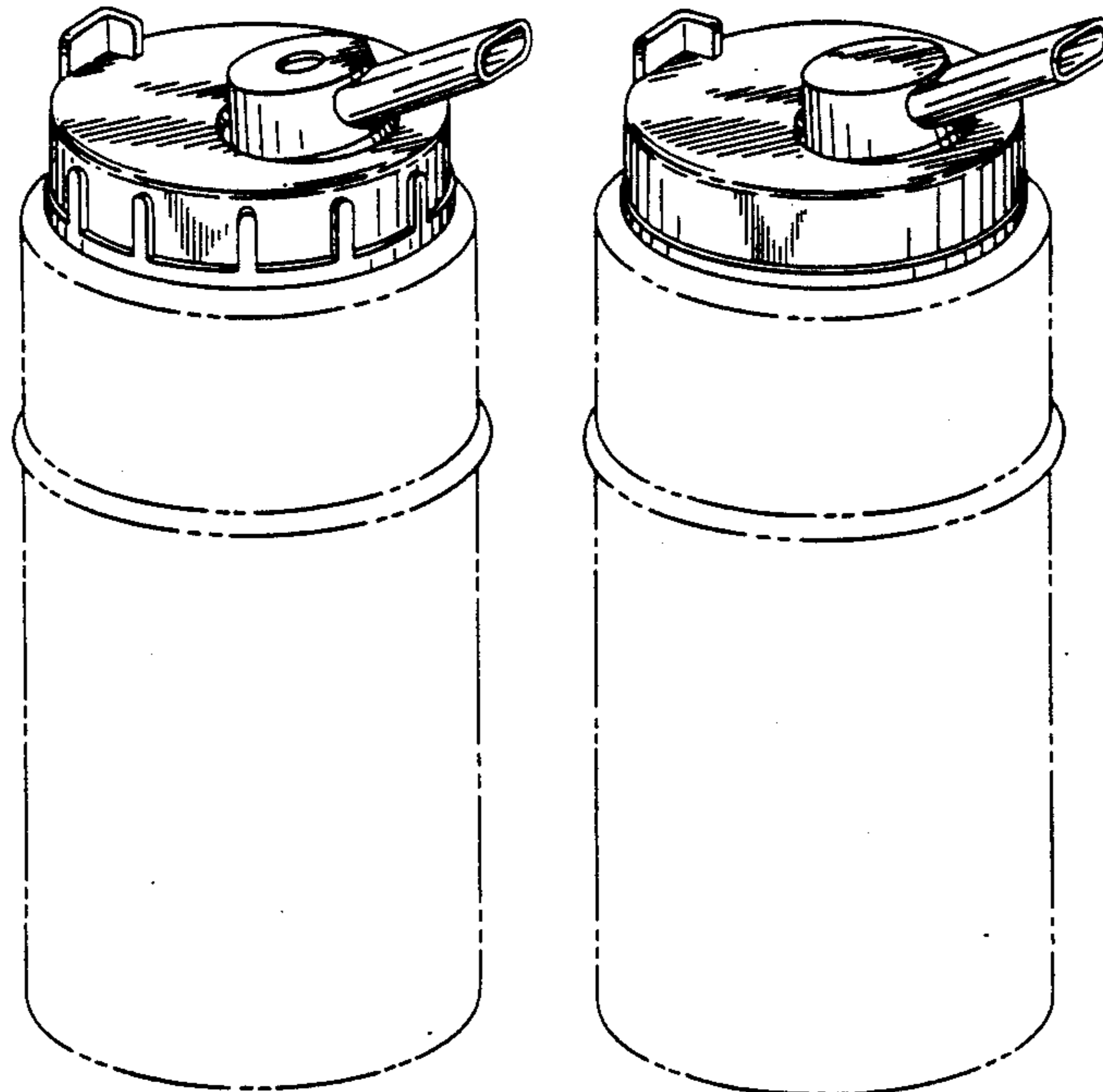
D. 288,667	3/1987	Miner .
D. 308,169	5/1990	Auman .
D. 315,103	3/1991	Bennett .
1,889,937	12/1932	Spence .
2,040,800	5/1936	Bennett .
2,764,199	9/1956	Tupper .
2,764,200	9/1956	Gits .
2,986,309	5/1961	Larson .
3,094,255	6/1963	Hunter .
3,131,870	5/1964	Henchert .
3,297,208	1/1967	Swett .
3,323,671	6/1967	Minarik et al. .
3,358,890	12/1967	Dalfo .
3,419,198	12/1968	Petterson .
3,490,659	1/1970	Vange et al. .
3,782,610	1/1974	Gilbert .
4,013,200	3/1977	Tripp .

[57] CLAIM

The ornamental design for a bottle lid, as shown and described.

DESCRIPTION

FIG. 1 is a left front perspective view of a bottle lid embodying our new design, the bottle shown in broken lines for illustrative purposes only; FIG. 2 is a left front perspective view thereof, the spout in a closed position; FIG. 3 is a right rear perspective view thereof; FIG. 4 is a top plan view thereof; FIG. 5 is a front elevational view thereof; FIG. 6 is a bottom plan view thereof; FIG. 7 is a rear elevational view thereof; and, FIG. 8 is a left front perspective view of a second embodiment of FIG. 1, the difference residing in the plain side walls.



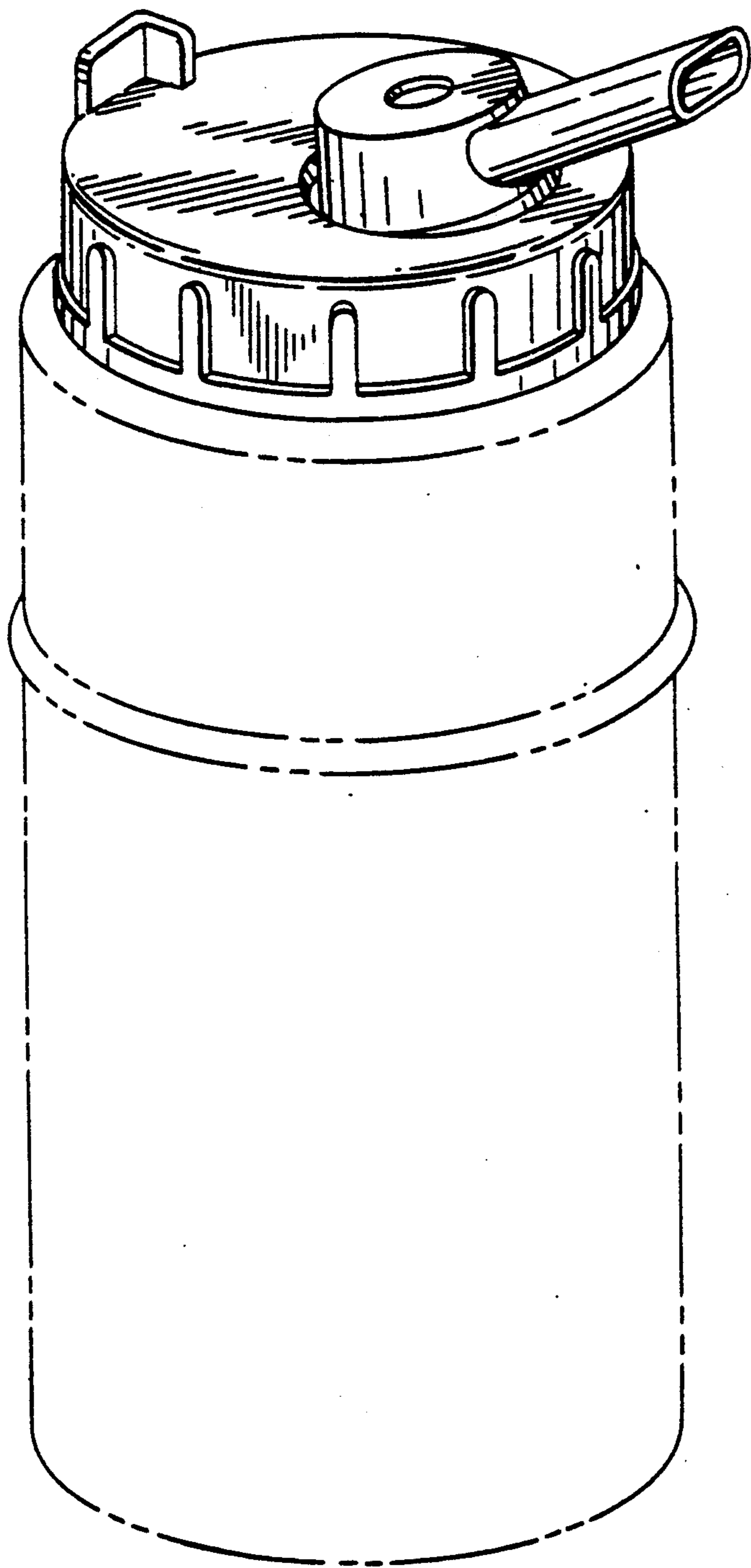


FIG. 1

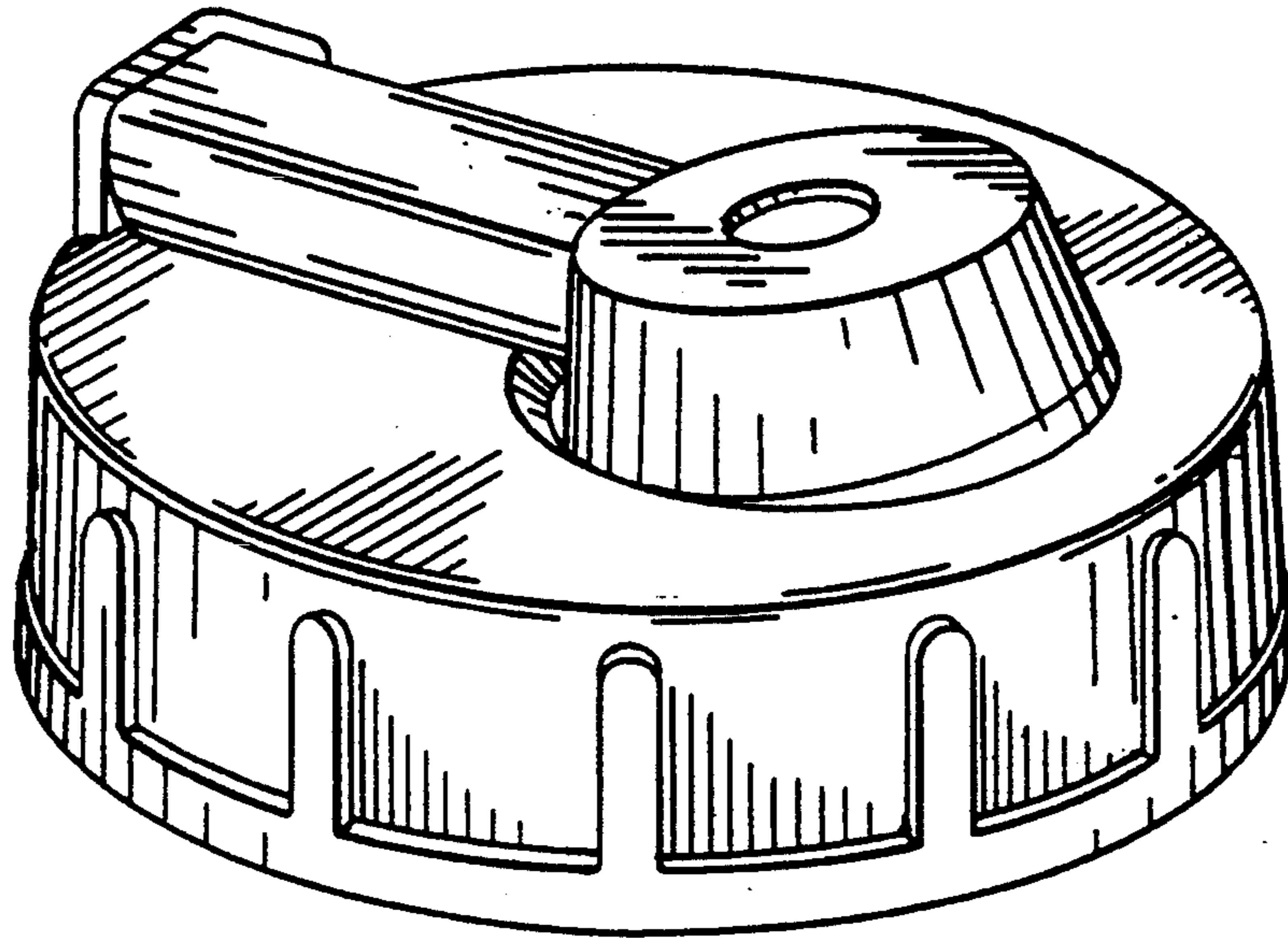


FIG. 2

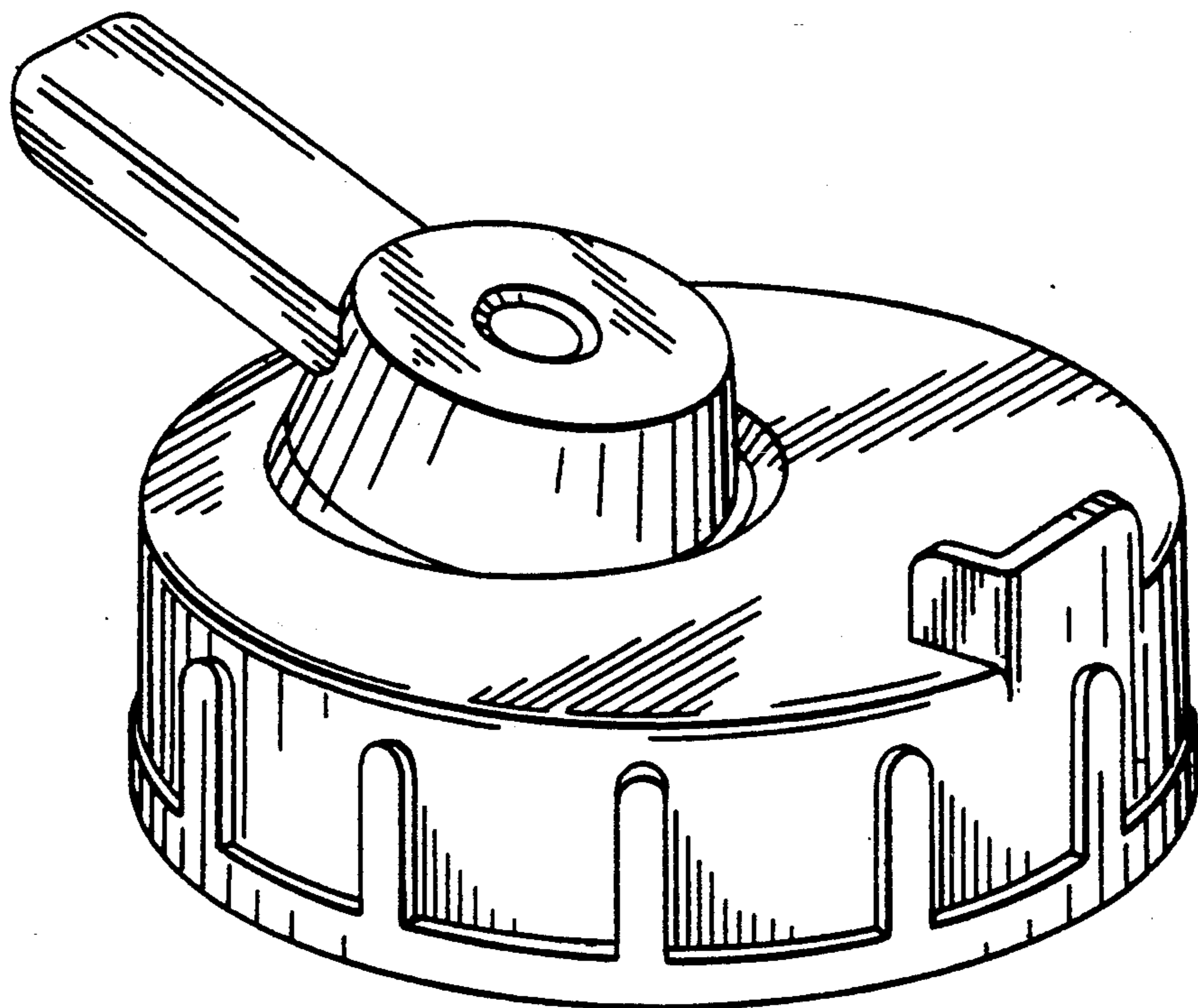


FIG. 3

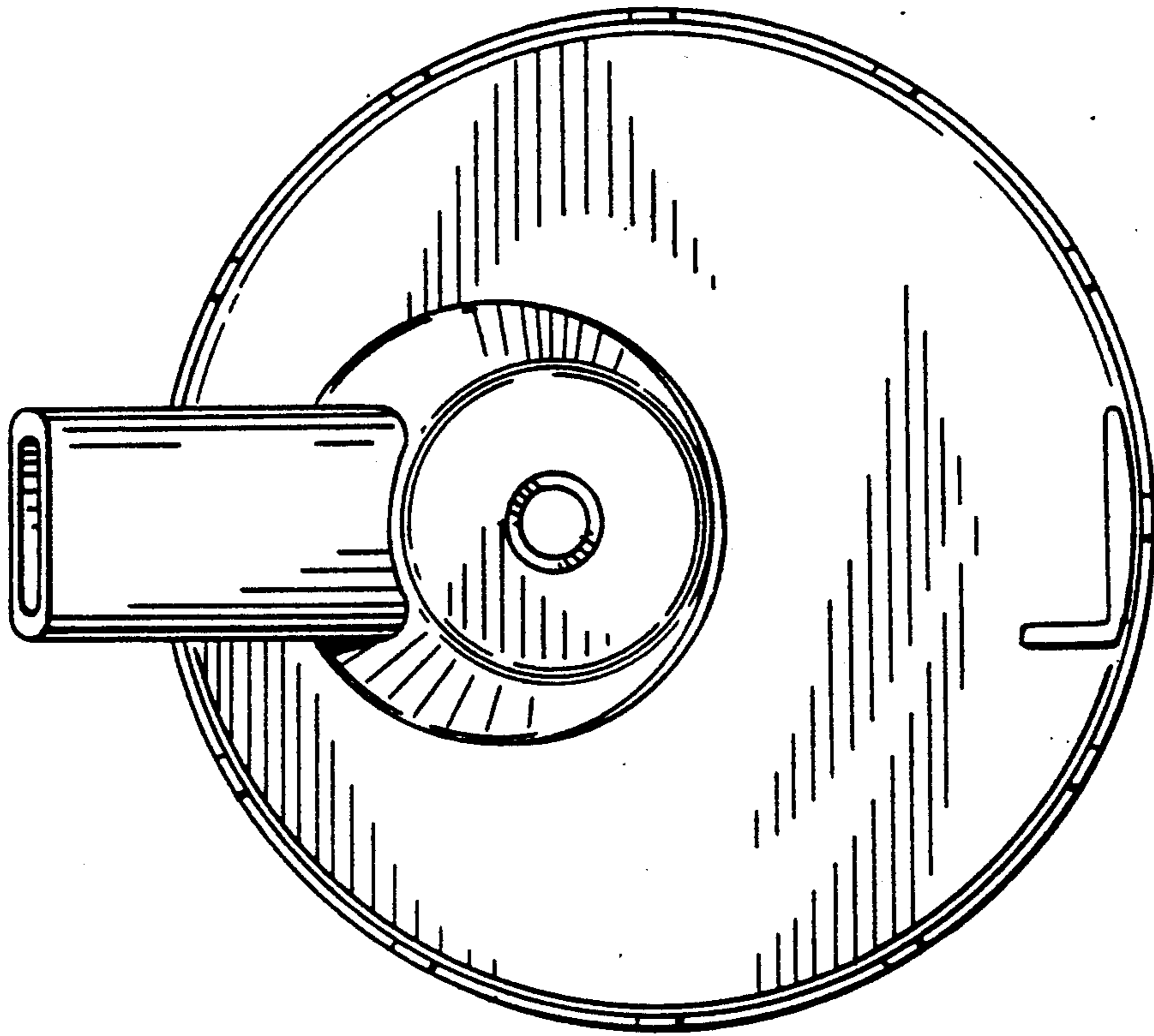


FIG. 4

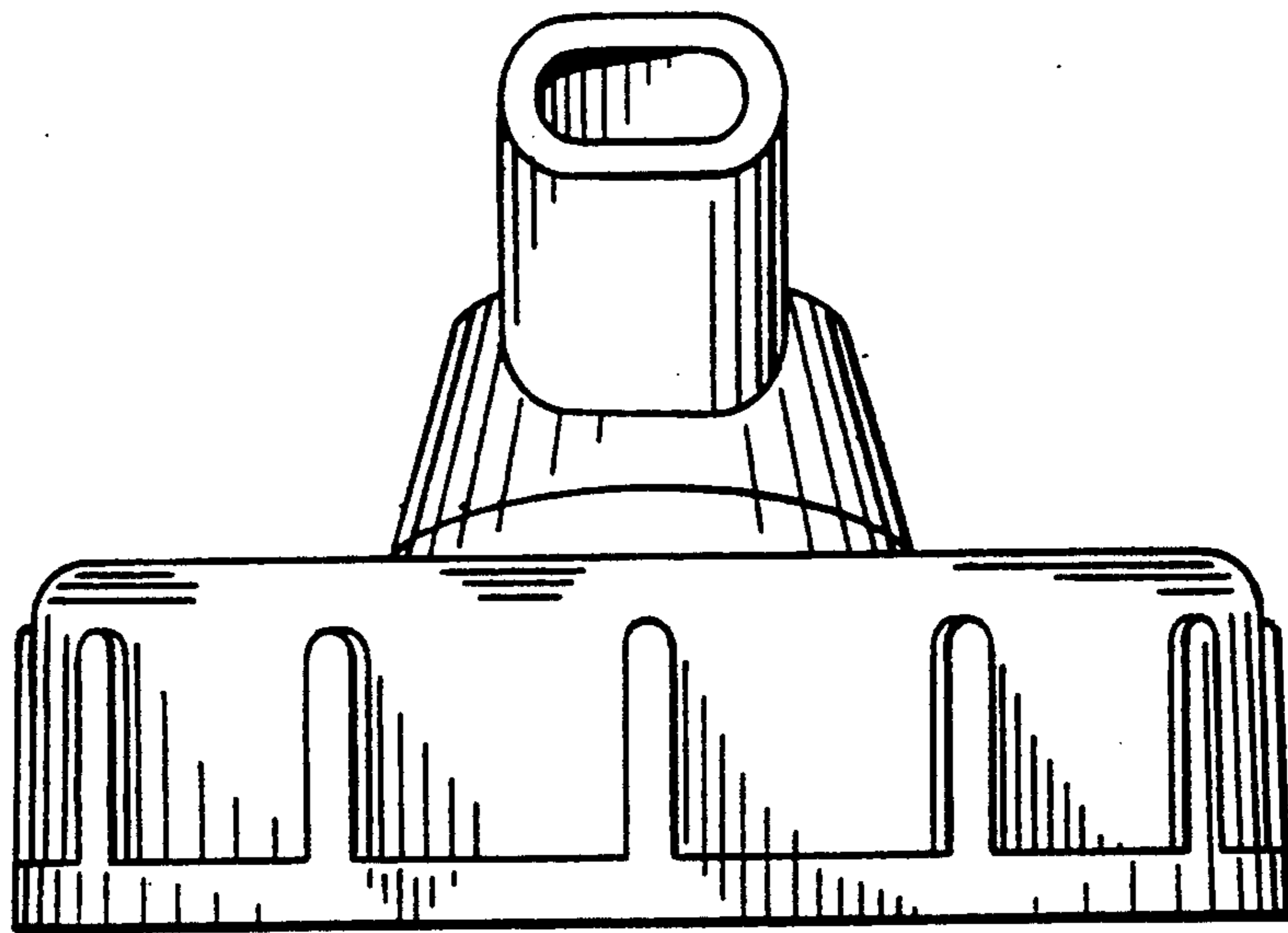


FIG. 5

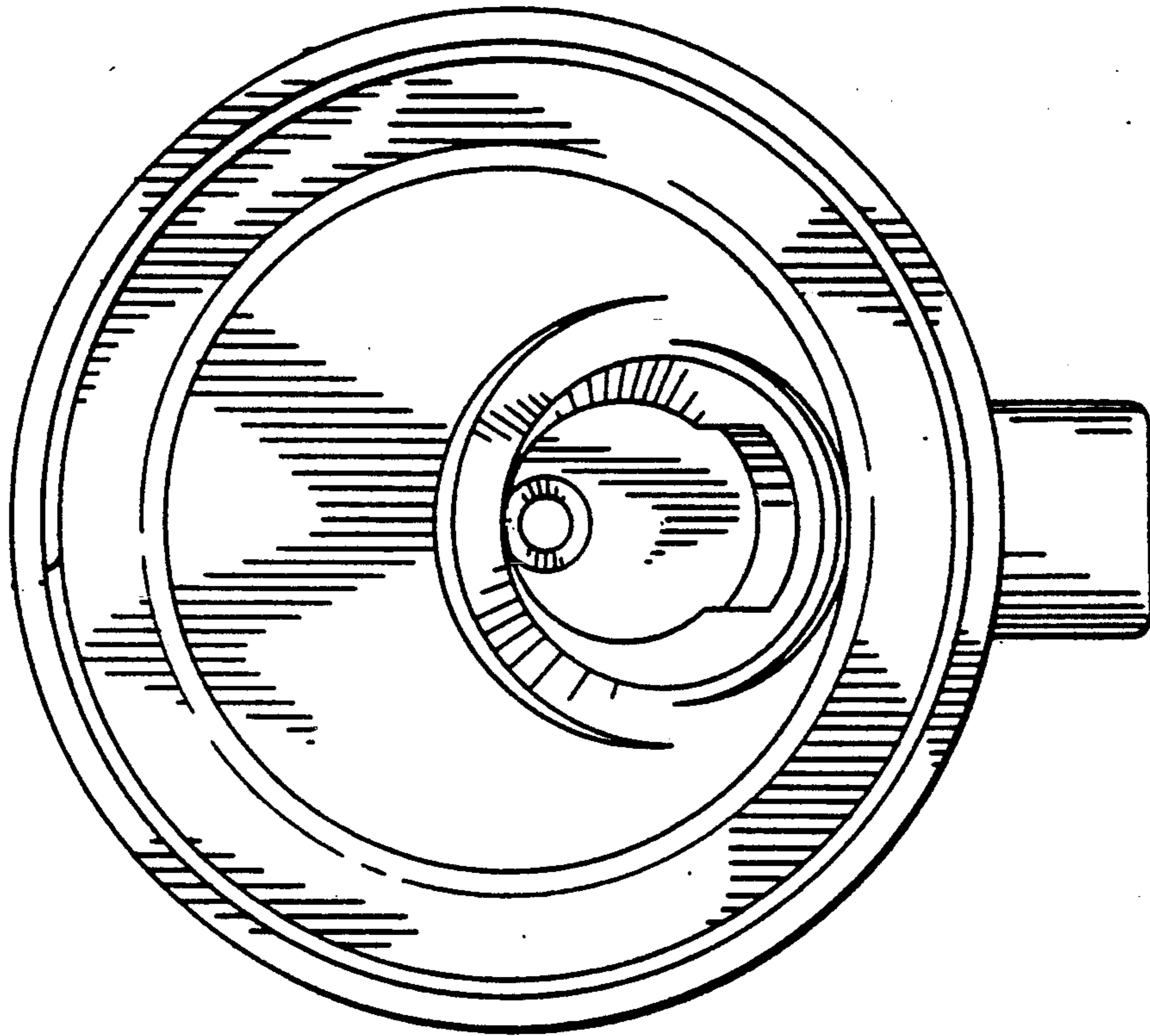


FIG. 6

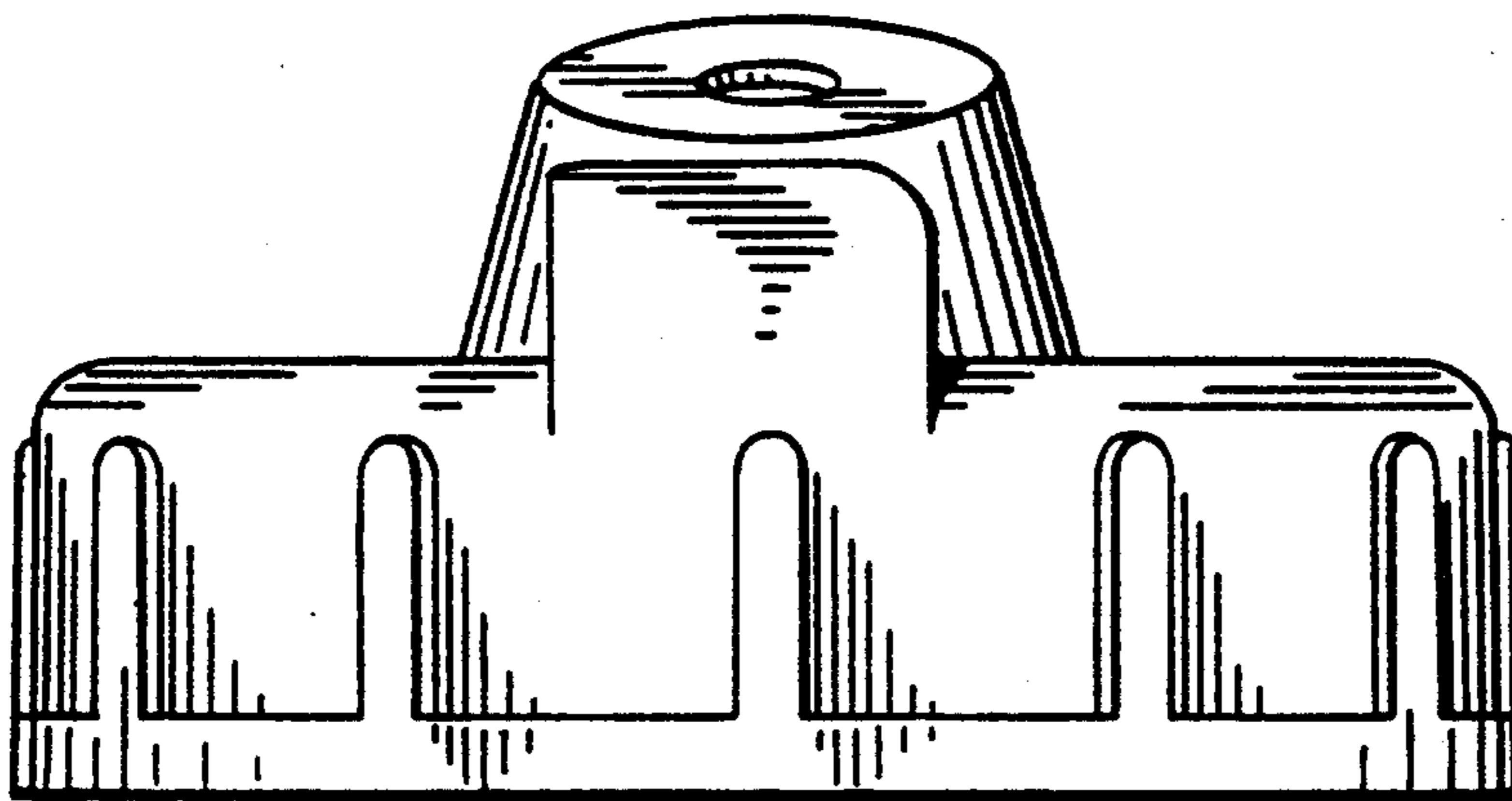


FIG. 7

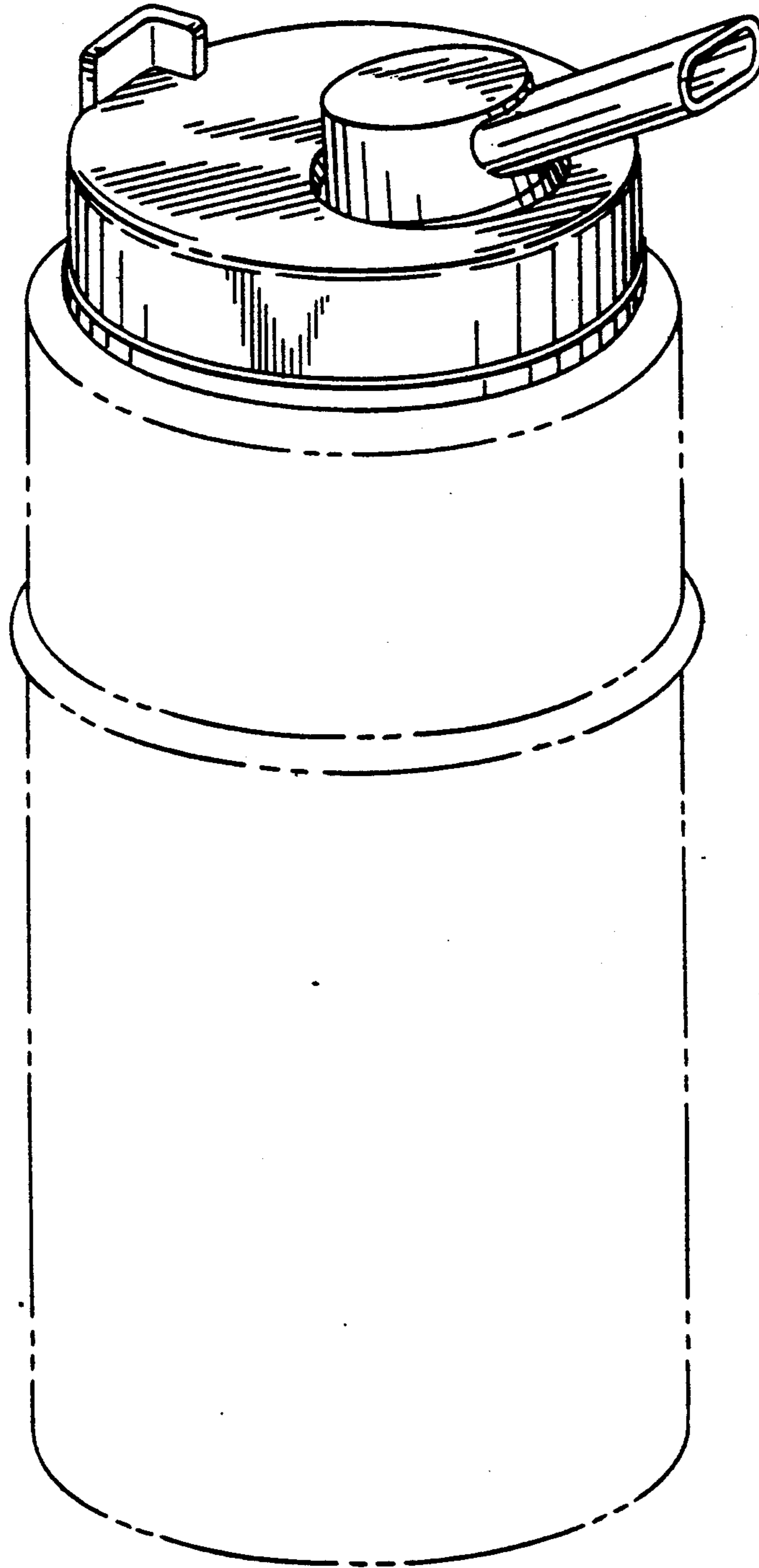


FIG. 8