



US00D334334S

United States Patent [19]

[11] Patent Number: **Des. 334,334**

Jarry

[45] Date of Patent: **** Mar. 30, 1993**

[54] **EXTENSION CORD REEL**

[75] Inventor: **Patrice Jarry, Le Vau de Joué, France**

[73] Assignee: **Legrand, Limoges, France**

[**] Term: **14 Years**

[21] Appl. No.: **714,752**

[22] Filed: **Jun. 13, 1991**

[30] **Foreign Application Priority Data**

Dec. 18, 1990 [FR] France 907891

[52] U.S. Cl. **D8/359; D8/358**

[58] Field of Search **D8/358, 359; 242/77; 137/355.26, 355.2, 355.27; 239/195**

[56] **References Cited**

U.S. PATENT DOCUMENTS

D. 226,898 5/1973 Tamarin D8/358 X
D. 240,192 6/1976 Balmer, Jr. D8/358 X

OTHER PUBLICATIONS

Sporty's Tool Shop Catalogue, p. 41, Mar. 1, 1986, Extension Cord Reel, located in lower right corner.
Legrand 1985 catalogue, p. 131.
Legrand 1984/85 catalogue, p. 80.
Legrand 1982/83 catalogue, pp. 86-87.
Enrouleurs-Prolongateurs (Reel Unit and Extension Cord), Toutelectric, St Genis-Laval, France, an undated four-page brochure.

Les Poly-rolls, Toutelectric International, Menton, France, an undated one-page advertisement.

Outiror, France, cable reel units.

Kabeltrommeln, (cable reels) 81, Schill, Germany, an undated (perhaps year 1981) one-page leaflet.

Legrand catalogue, Limoges, France, an undated and unnumbered page.

Legrand 1991 catalogue, pp. 198-199.

Legrand 1990 catalogue, pp. 186-187.

Legrand 1990/91 catalogue, p. H27.

Legrand 1989 catalogue, pp. 170-171.

Legrand 1988 catalogue, p. 157.

Legrand 1987 catalogue, p. 155.

Legrand 1986 catalogue, p. 146.

Primary Examiner—Wallace R. Burke

Assistant Examiner—H. Baynham

Attorney, Agent, or Firm—Young & Thompson

[57] **CLAIM**

The ornamental design for an extension cord reel, as shown and described.

DESCRIPTION

FIG. 1 is a front, side perspective view of an extension cord reel showing my new design;
FIG. 2 is a front elevational view thereof;
FIG. 3 is a rear elevational view thereof;
FIG. 4 is a top plan view thereof;
FIG. 5 is a bottom plan view thereof;
FIG. 6 is a right side elevational view thereof; and,
FIG. 7 is a left side elevational view thereof.

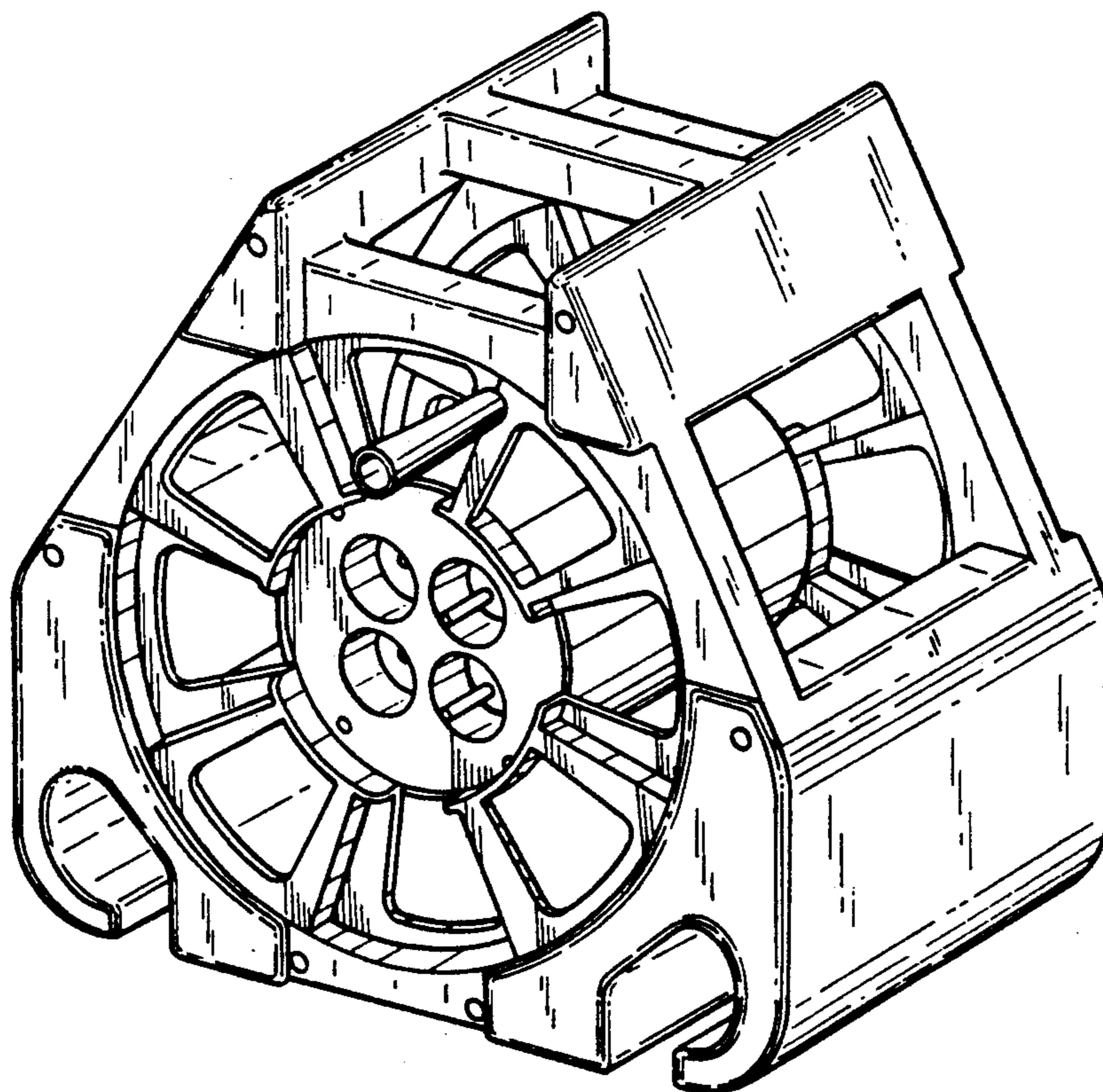


FIG. 1

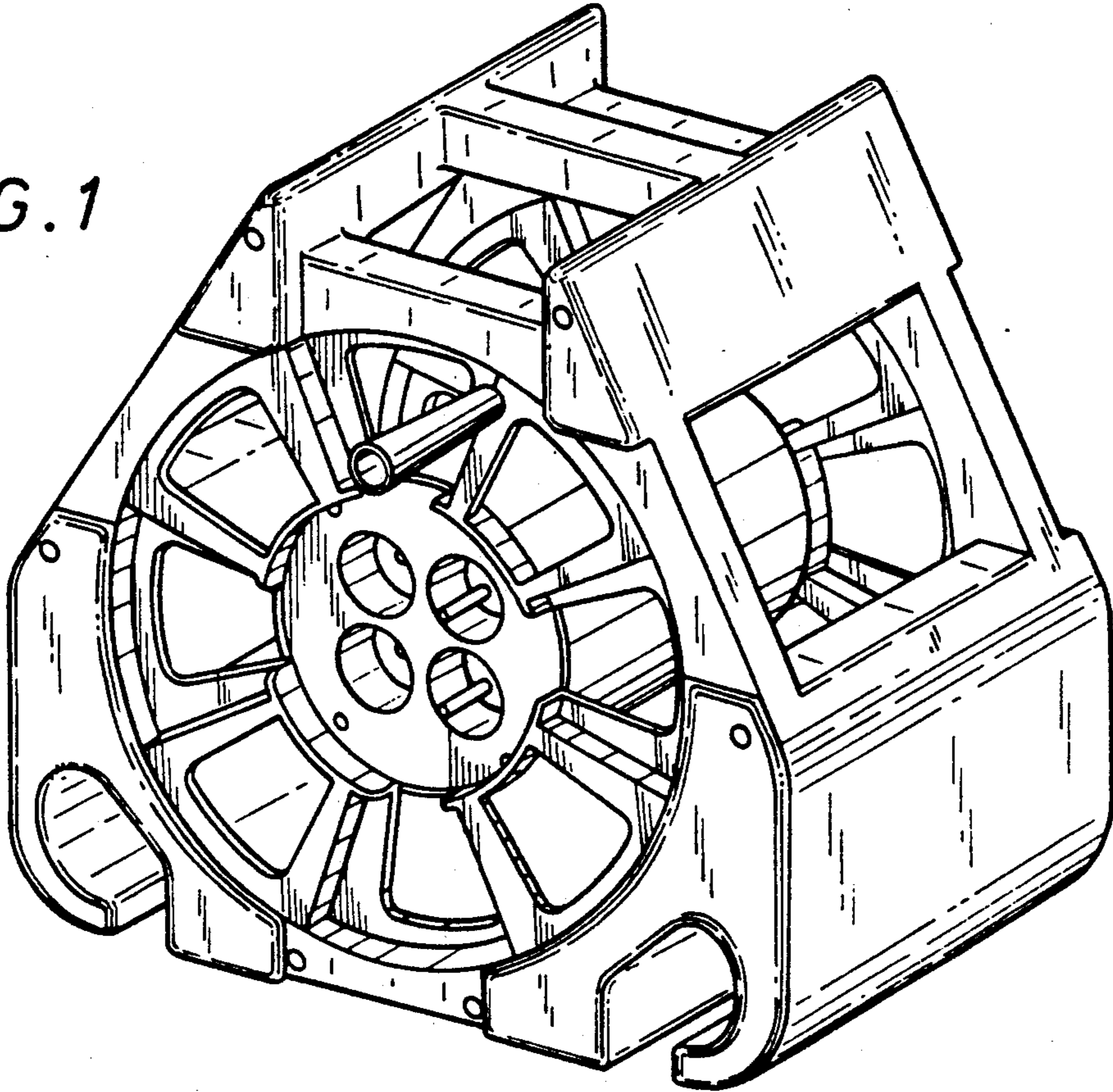


FIG. 6

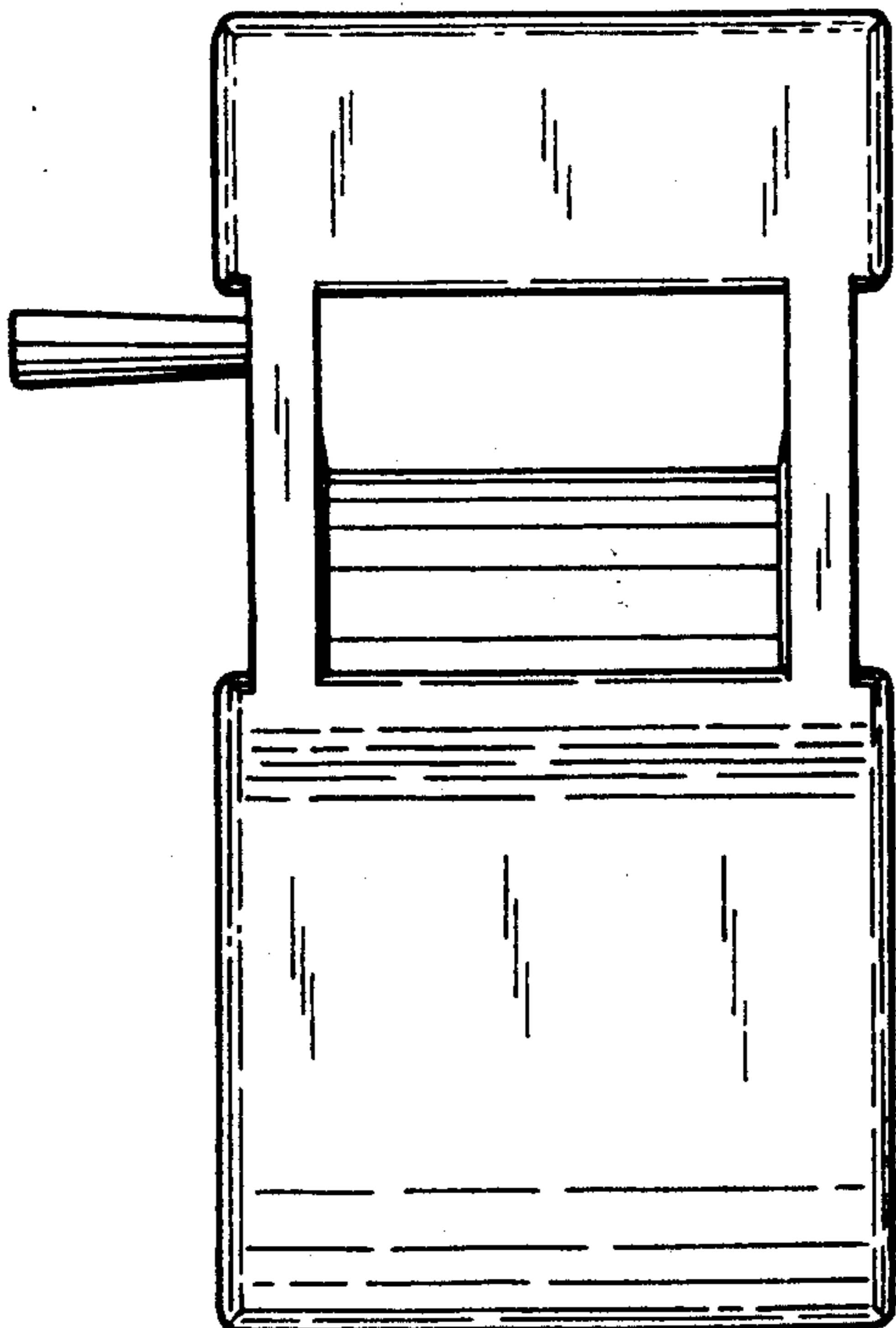


FIG. 7

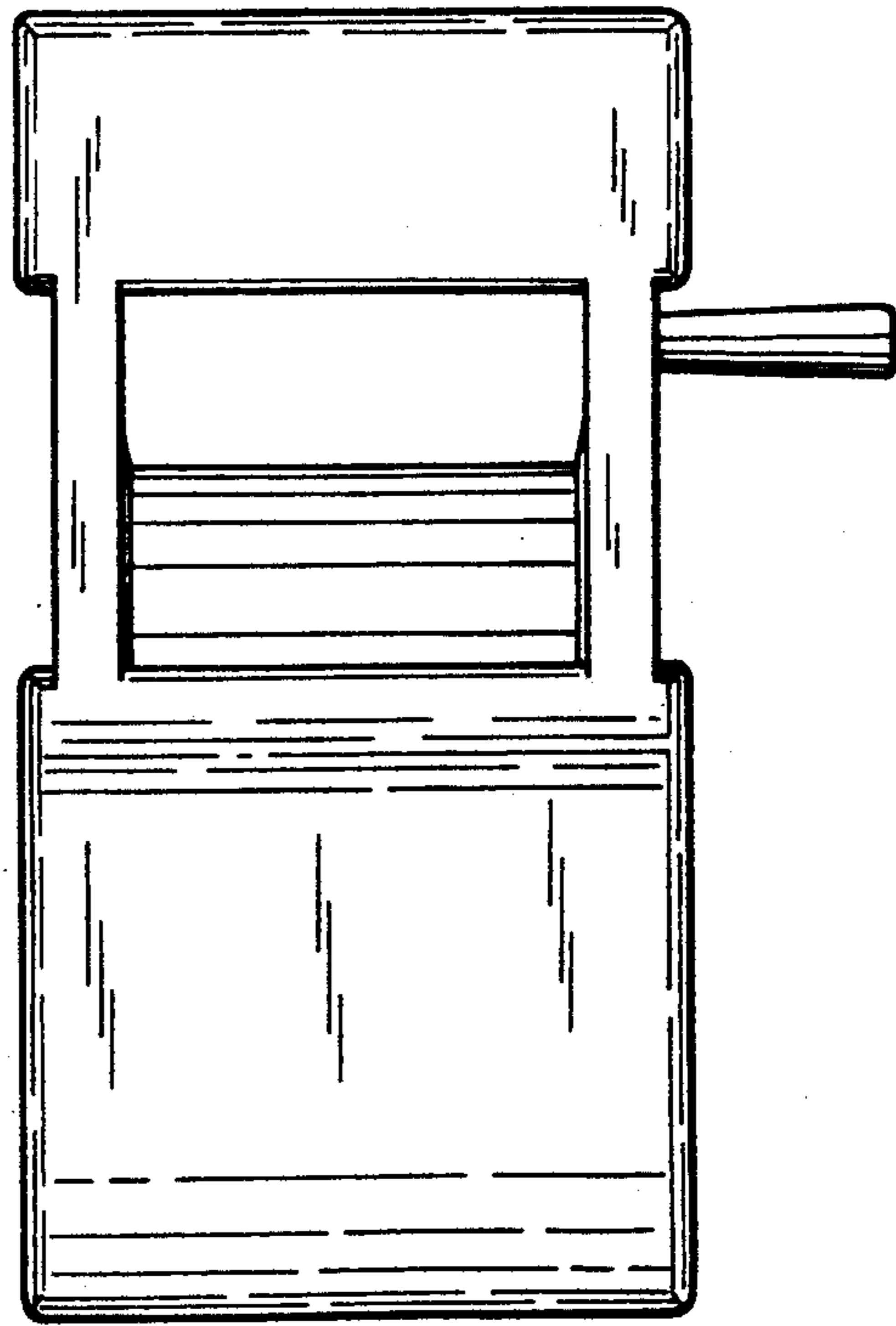


FIG. 2

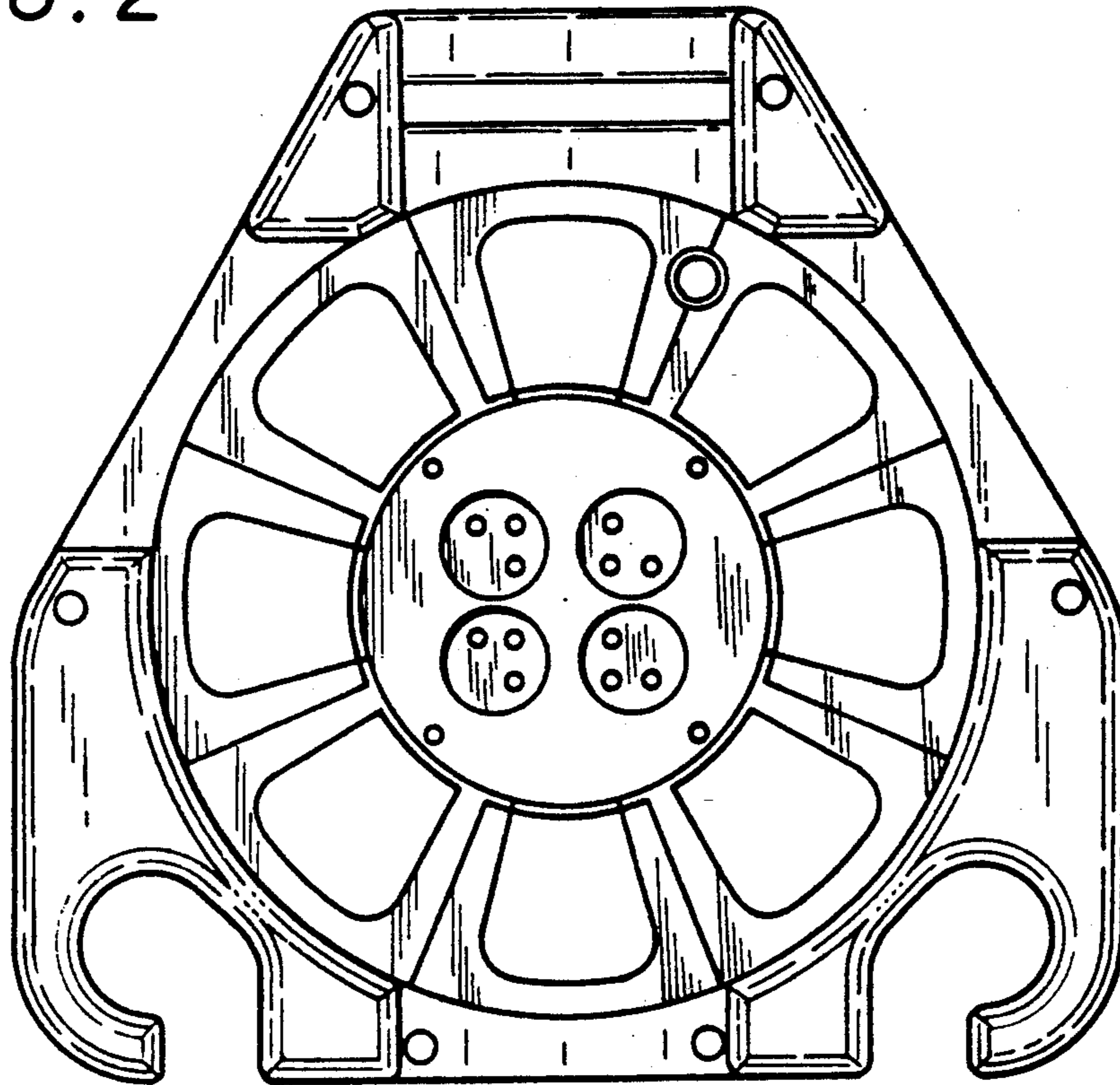


FIG. 3

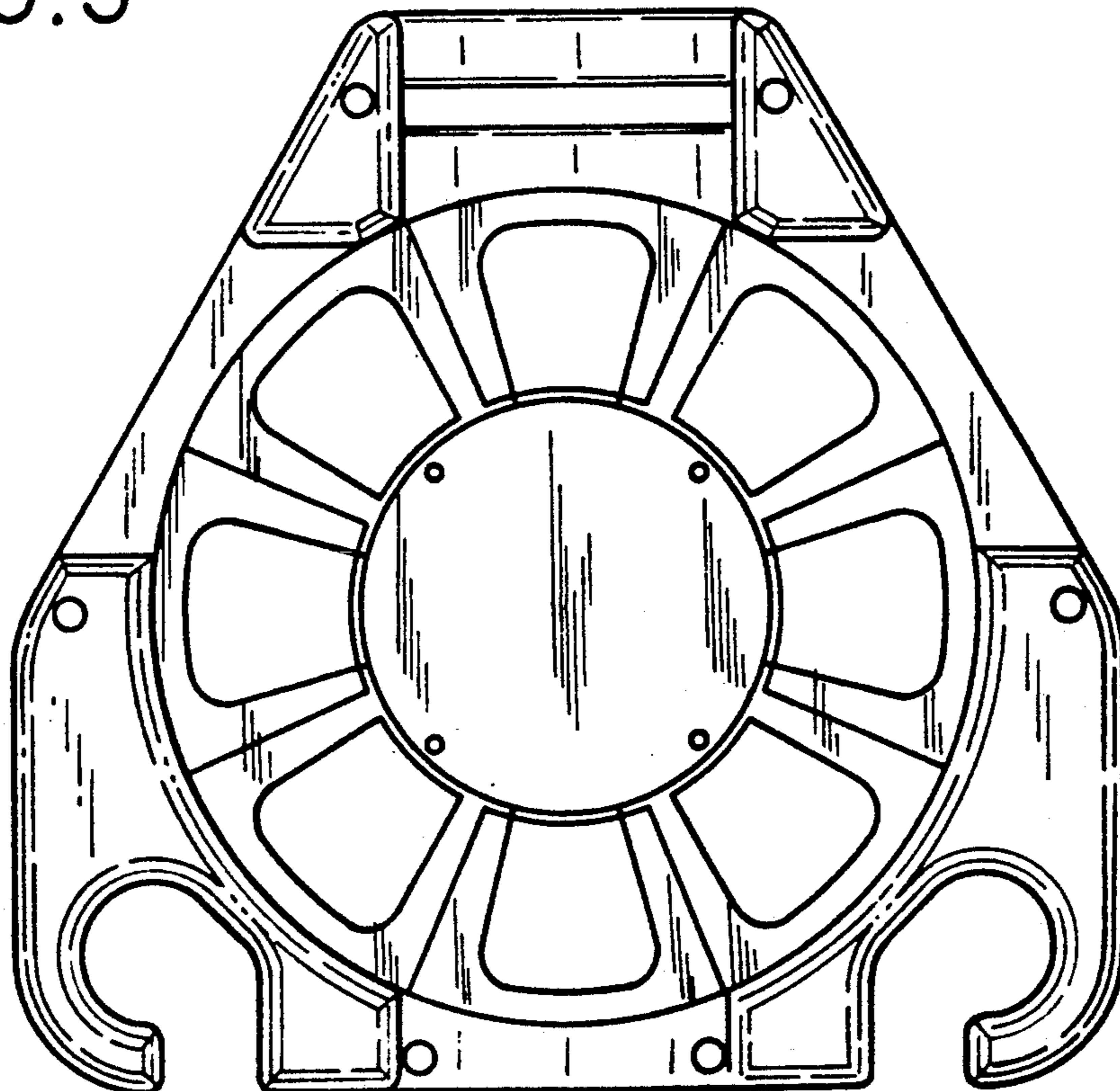


FIG. 4

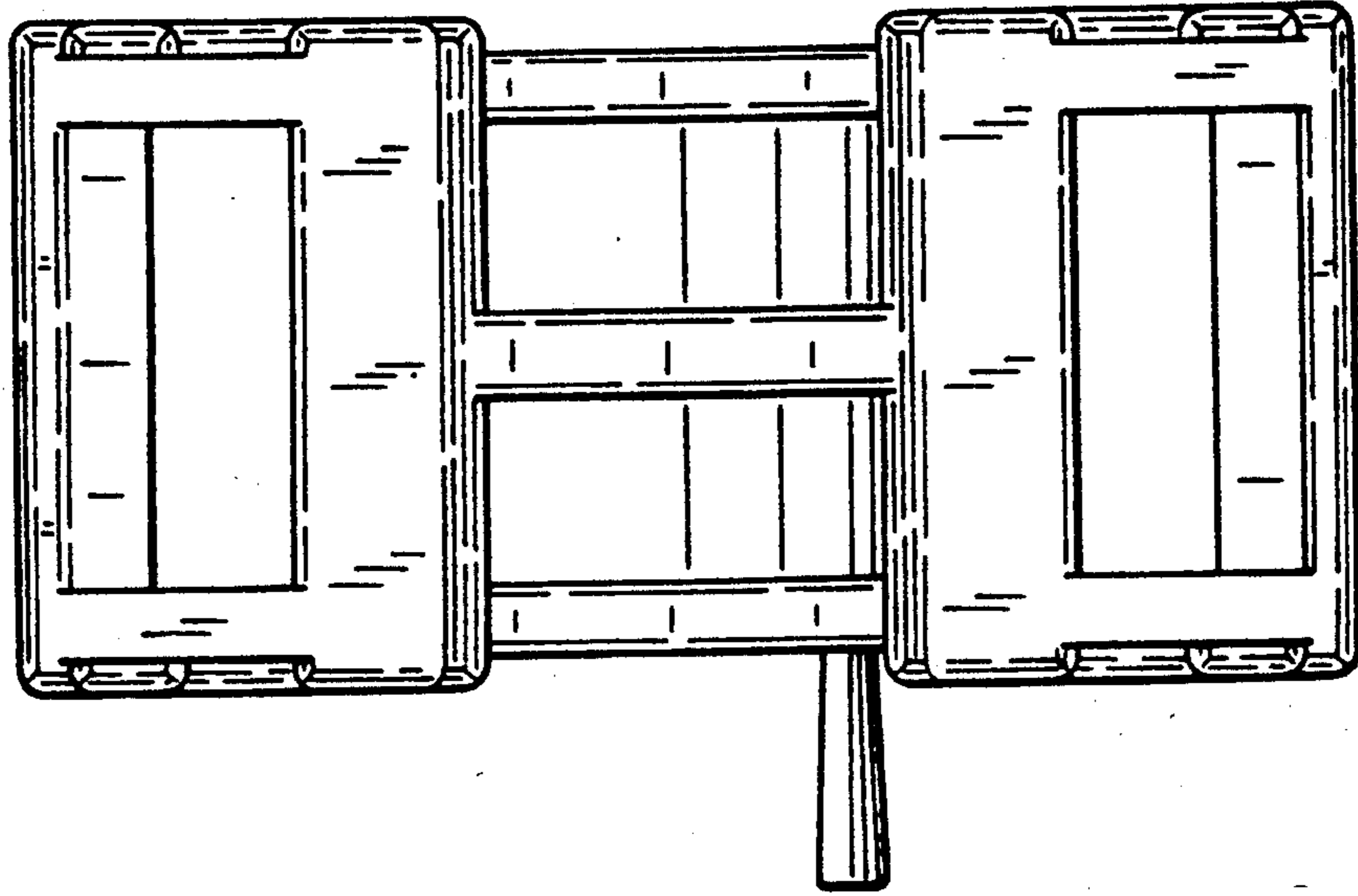


FIG. 5

