



US00D334331S

# United States Patent [19]

[11] Patent Number: **Des. 334,331**

**Kikuchi**

[45] Date of Patent: **\*\* Mar. 30, 1993**

[54] **ATTACHMENT FOR PORTABLE ELECTRIC DRIVER**

4,478,112 10/1984 Moulton ..... 81/57.37  
4,495,841 1/1985 Mori et al. .... 81/57.37

[75] Inventor: **Naoki Kikuchi, Tokyo, Japan**

*Primary Examiner*—Alan P. Douglas  
*Assistant Examiner*—J. H. Musgrove  
*Attorney, Agent, or Firm*—Sughrue, Mion, Zinn,  
Macpeak & Seas

[73] Assignee: **Ryobi Ltd., Hiroshima, Japan**

[\*\*] Term: **14 Years**

[21] Appl. No.: **674,061**

[57] **CLAIM**

[22] Filed: **Mar. 22, 1991**

The ornamental design for an attachment for portable electric driver, as shown.

[30] **Foreign Application Priority Data**

**DESCRIPTION**

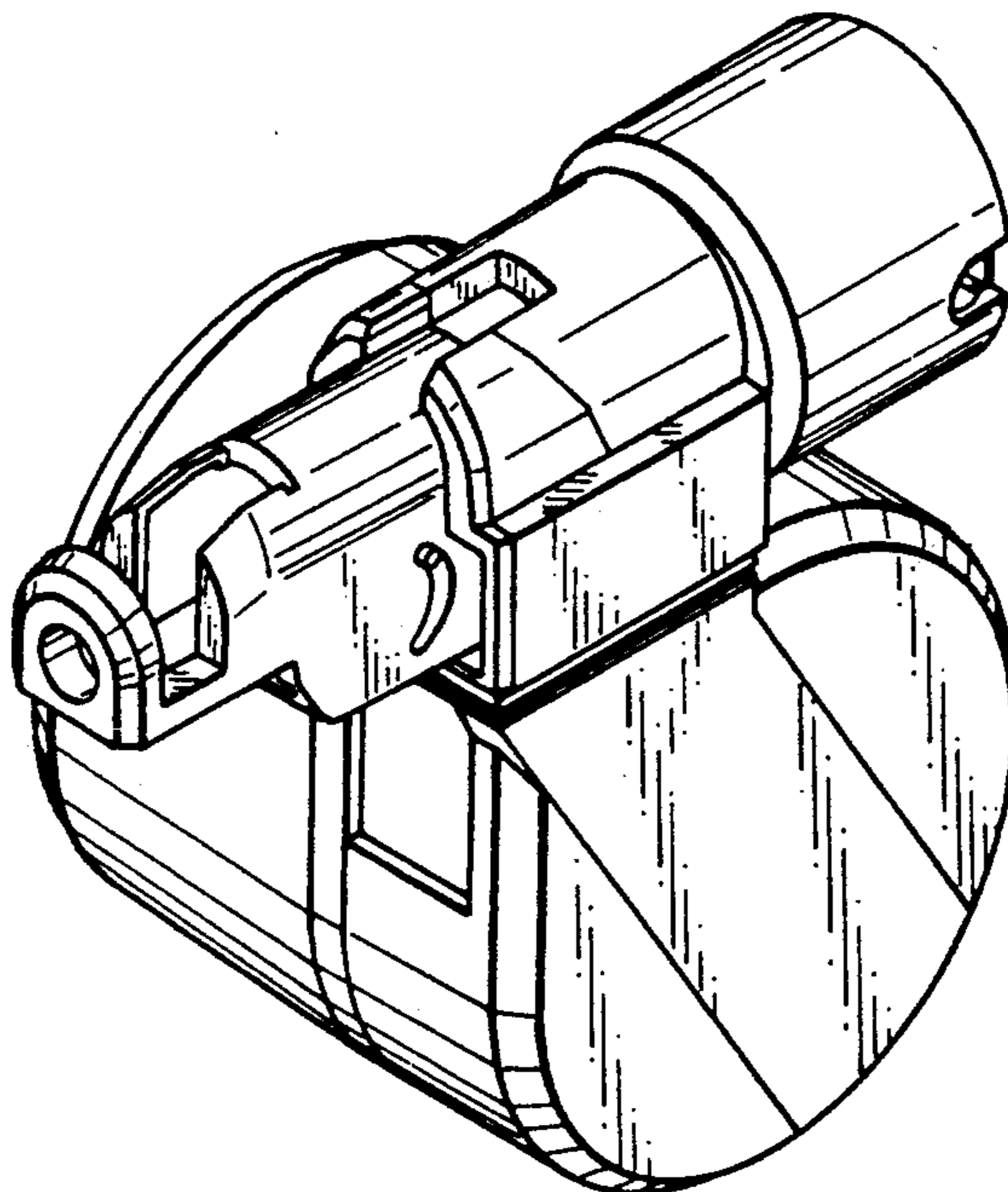
Oct. 3, 1990 [JP] Japan ..... 2-33508  
[52] U.S. Cl. .... **D8/70**  
[58] Field of Search ..... 408/124, 125; 81/57.23,  
81/57.37; 173/170; D8/61, 70

**FIG. 1** is a front, top and right side perspective view of an attachment for portable electric driver showing my new design;  
**FIG. 2** is a right side elevational view thereof;  
**FIG. 3** is a left side elevational view thereof;  
**FIG. 4** is a front elevational view thereof;  
**FIG. 5** is a rear elevational view thereof;  
**FIG. 6** is a top plan view thereof; and,  
**FIG. 7** is a bottom plan view thereof.

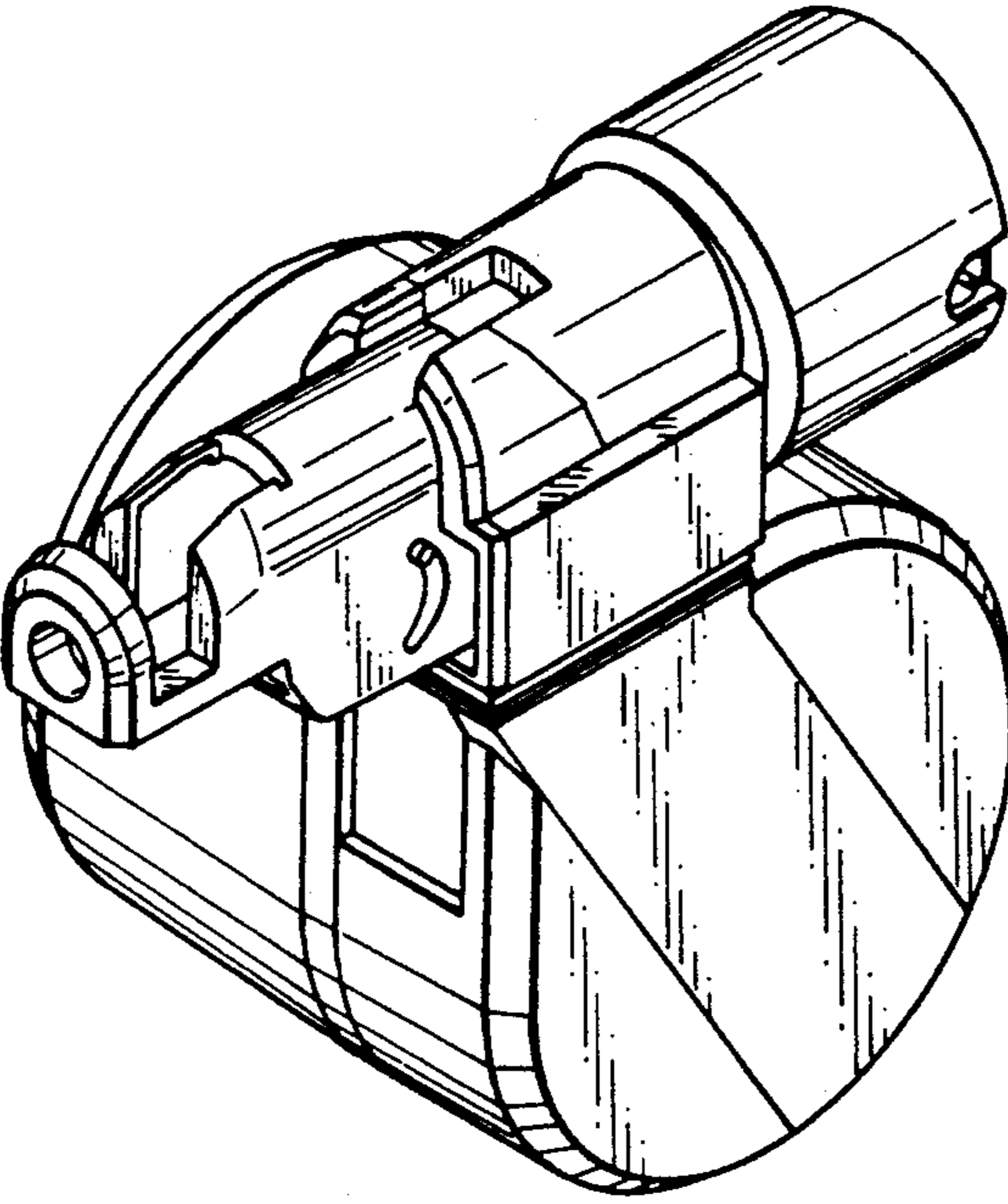
[56] **References Cited**

**U.S. PATENT DOCUMENTS**

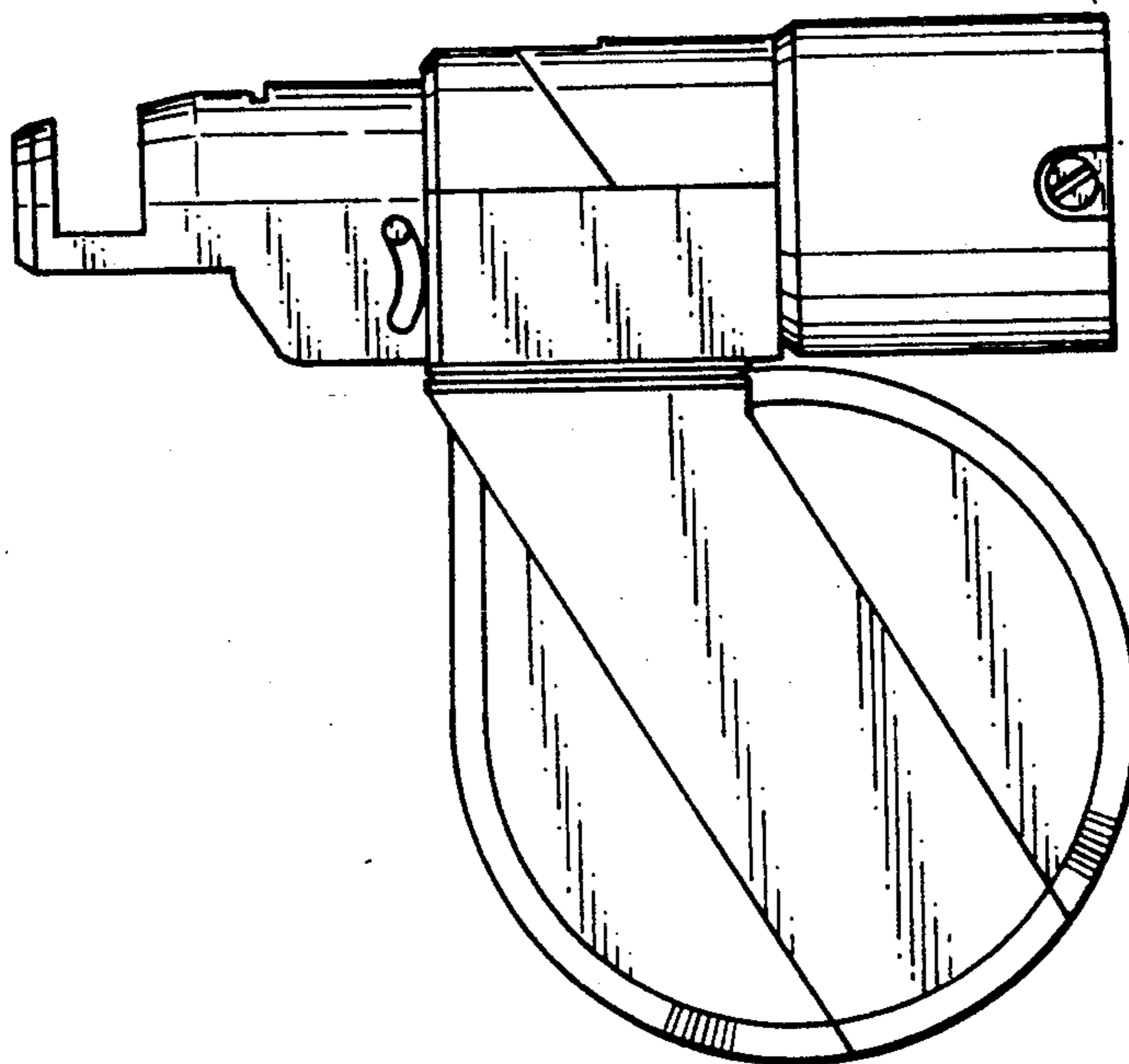
2,011,070 8/1935 Mooter ..... 81/57.23  
3,664,565 5/1972 Heilman ..... 227/137



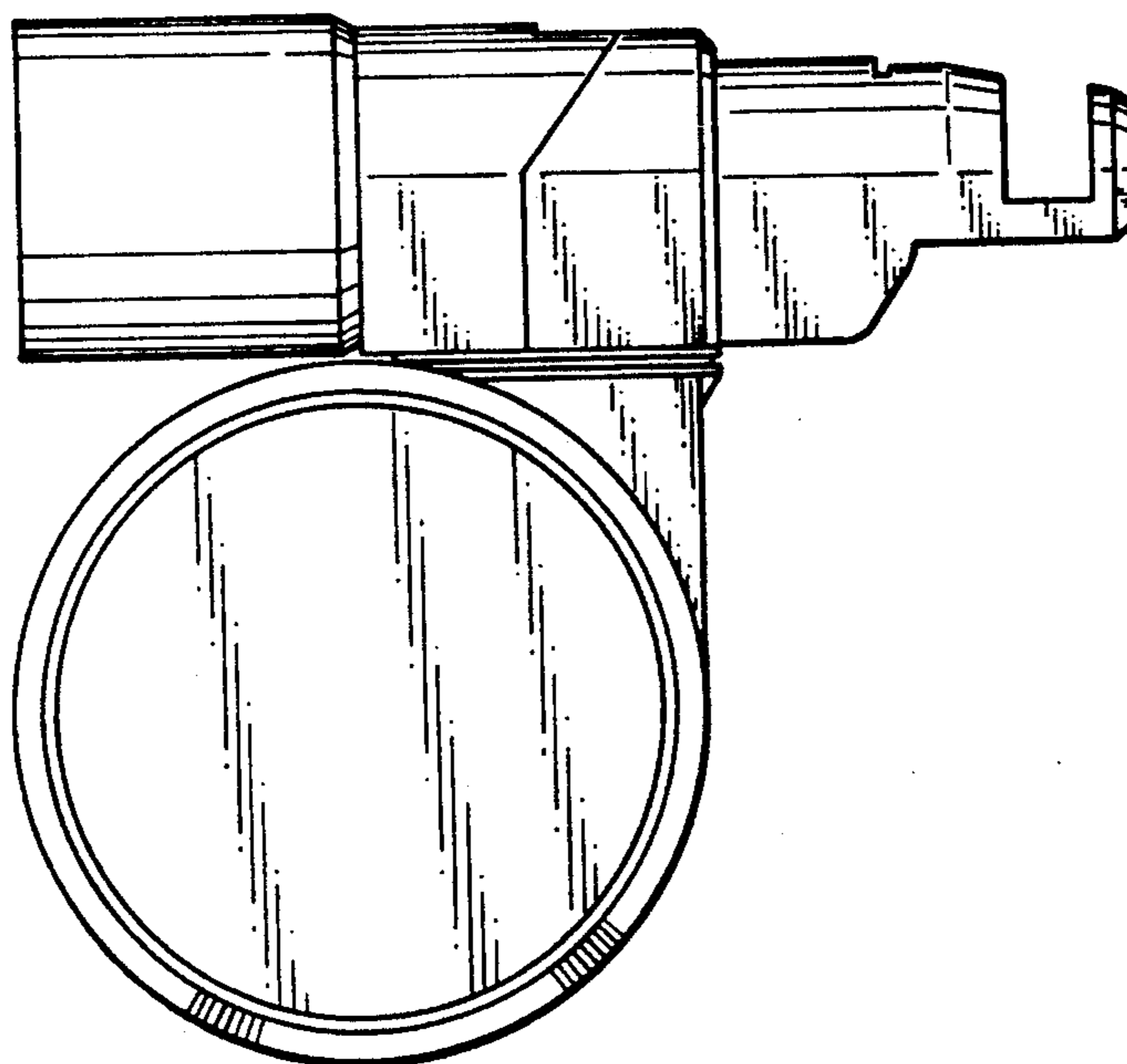
*Fig. 1*



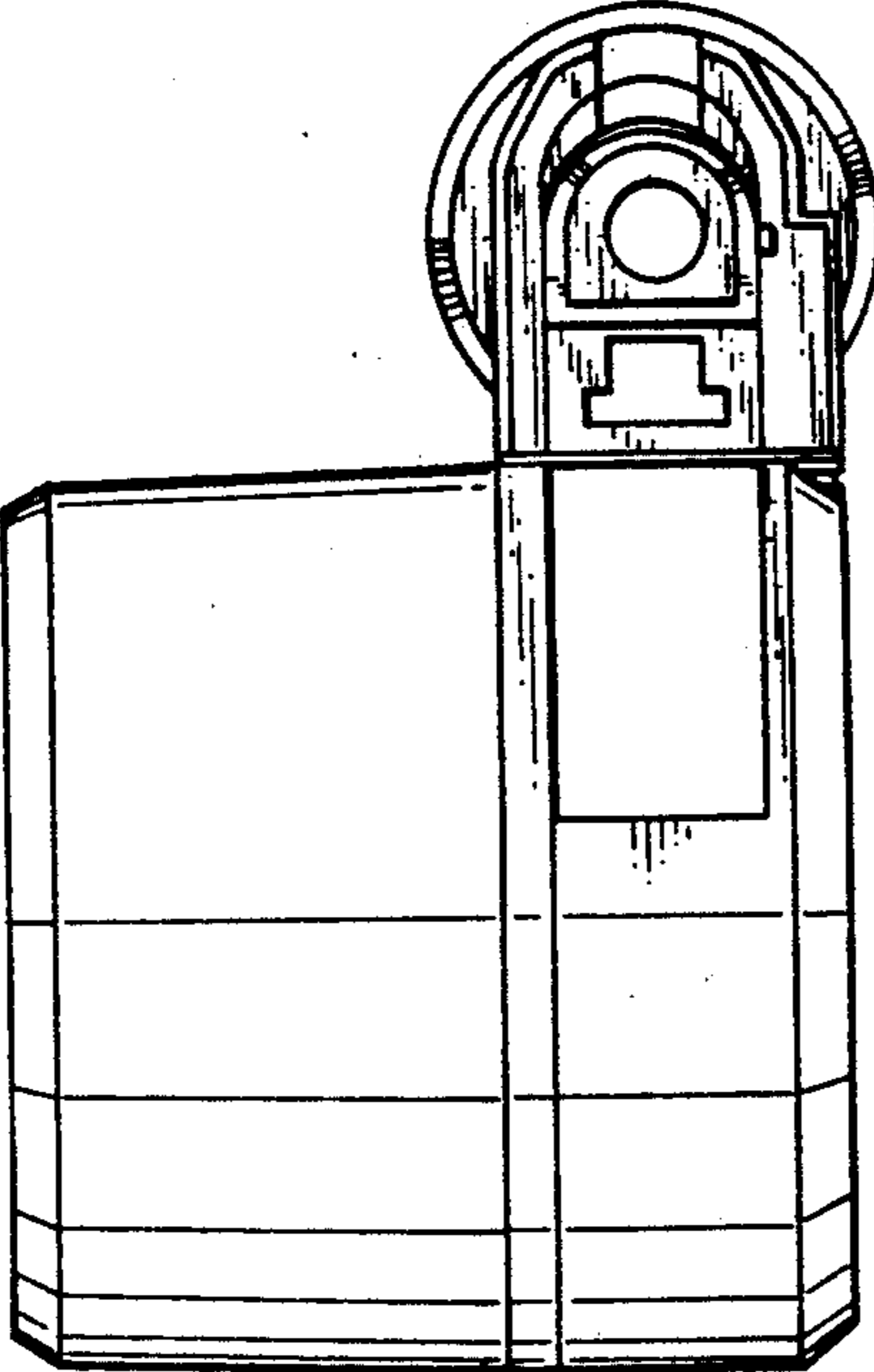
*Fig. 2*



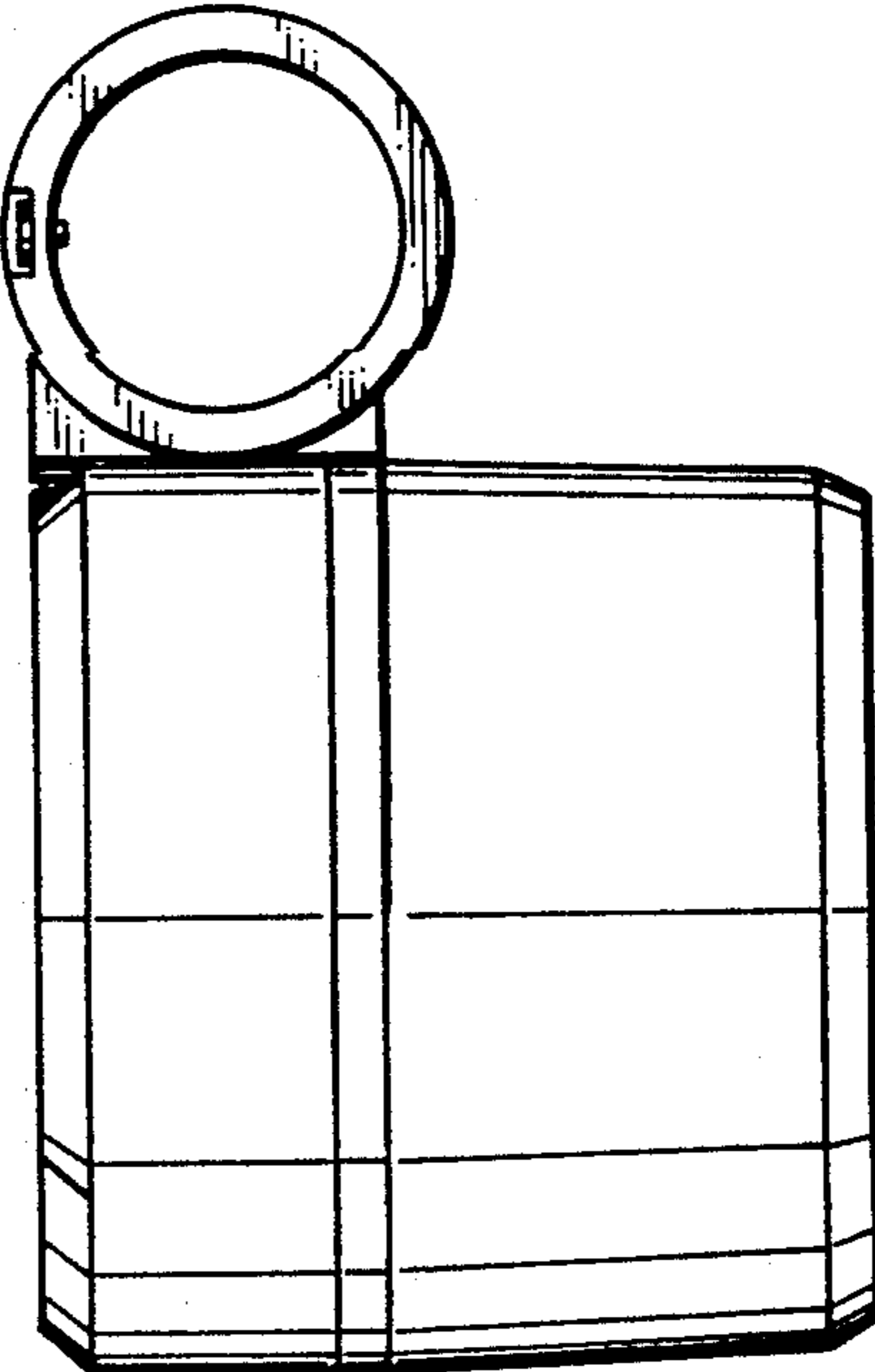
*Fig. 3*



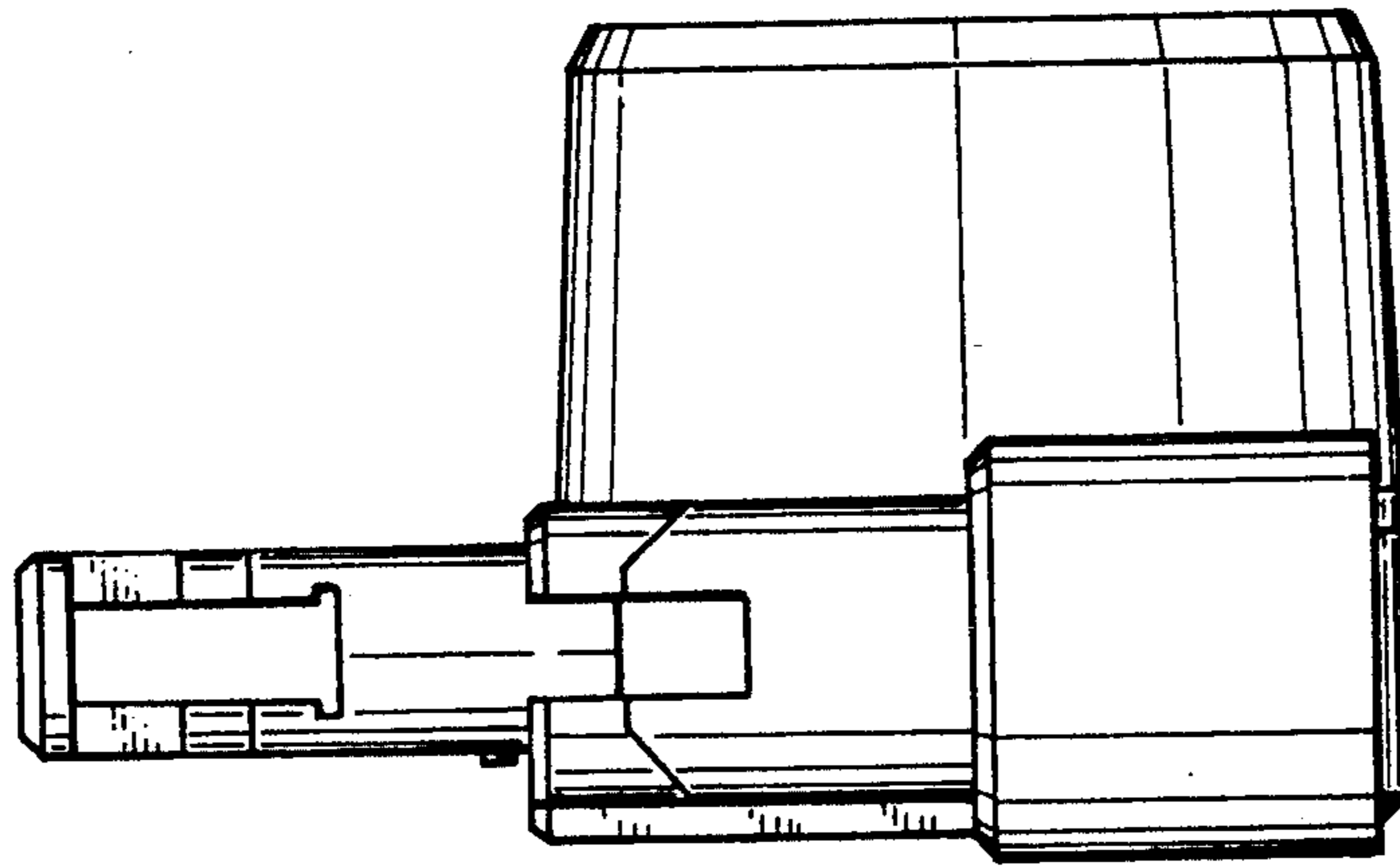
*Fig. 4*



*Fig. 5*



*Fig. 6*



*Fig. 7*

