



US00D334330S

United States Patent [19]

Moshhammer

[11] Patent Number: **Des. 334,330**

[45] Date of Patent: **** Mar. 30, 1993**

[54] **DUST COLLECTOR FOR A GRINDER**

[76] Inventor: **Horst Moshhammer, Rheinstr. 27, 5414 Vallendar, Fed. Rep. of Germany**

[**] Term: **14 Years**

[21] Appl. No.: **646,053**

[22] Filed: **Jan. 25, 1991**

[52] U.S. Cl. **D8/70**

[58] Field of Search **D8/70; 51/273, 170 R, 51/358**

4,102,083	7/1978	Stern	51/170 R
4,184,291	1/1980	Marton	51/170 R
4,680,895	7/1987	Roestenberg	51/170 R
5,125,190	6/1992	Buser et al.	51/273

Primary Examiner—Alan P. Douglas
Assistant Examiner—J. H. Musgrove
Attorney, Agent, or Firm—Antonelli, Terry, Stout & Kraus

[57] **CLAIM**

The ornamental design for dust collector for a grinder, as shown.

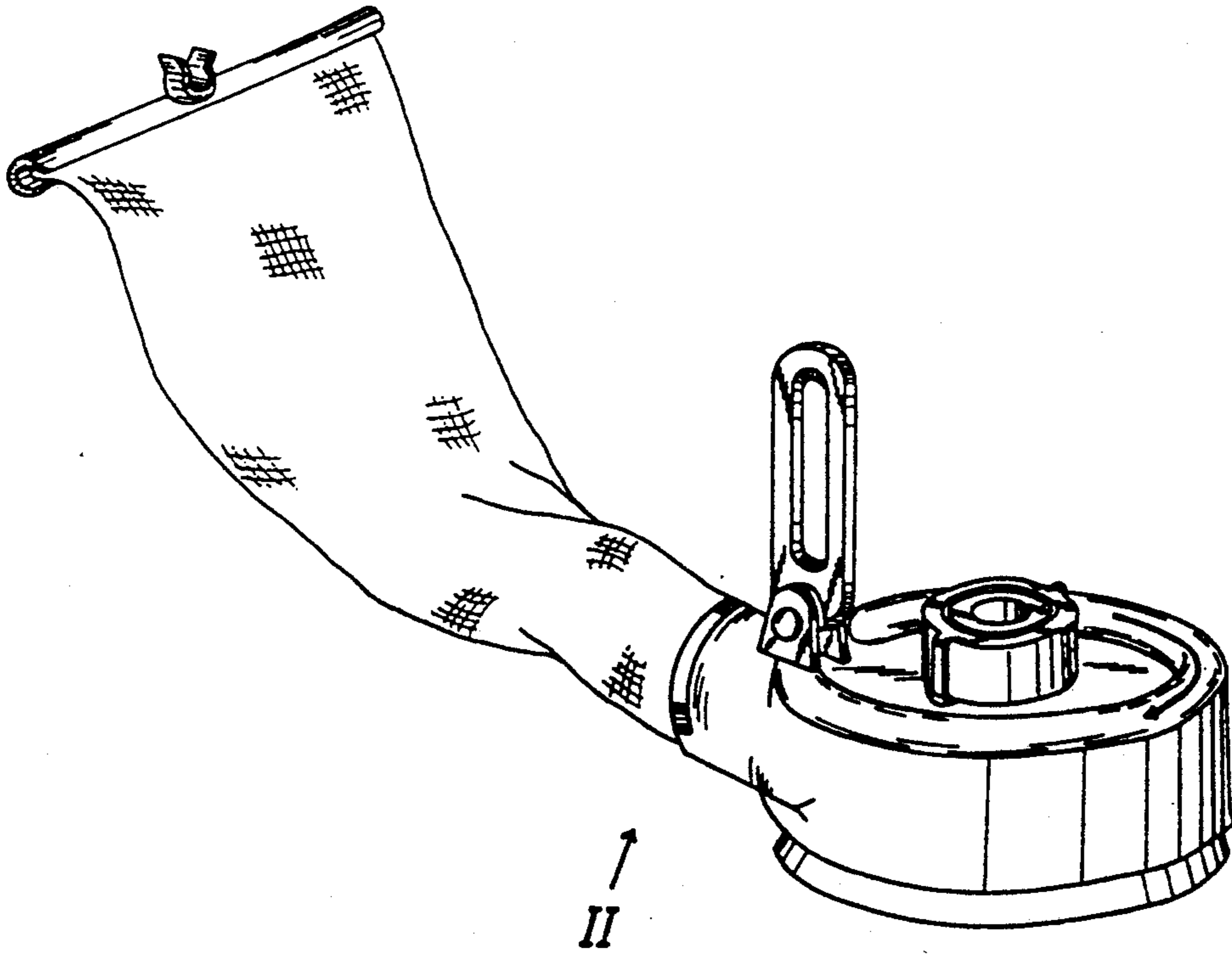
DESCRIPTION

FIG. 1 is a top, front and left side perspective view of a dust collector for a grinder showing my new design; FIG. 2 is a left side elevational view; FIG. 3 is a top plan view; and, FIG. 4 is a bottom plan view thereof.

[56] **References Cited**

U.S. PATENT DOCUMENTS

D. 242,982	1/1977	Flickenstein et al.	D8/70
3,938,283	2/1976	Keith, Jr.	51/170 R
4,022,182	5/1977	Lenkevich	D8/70 X



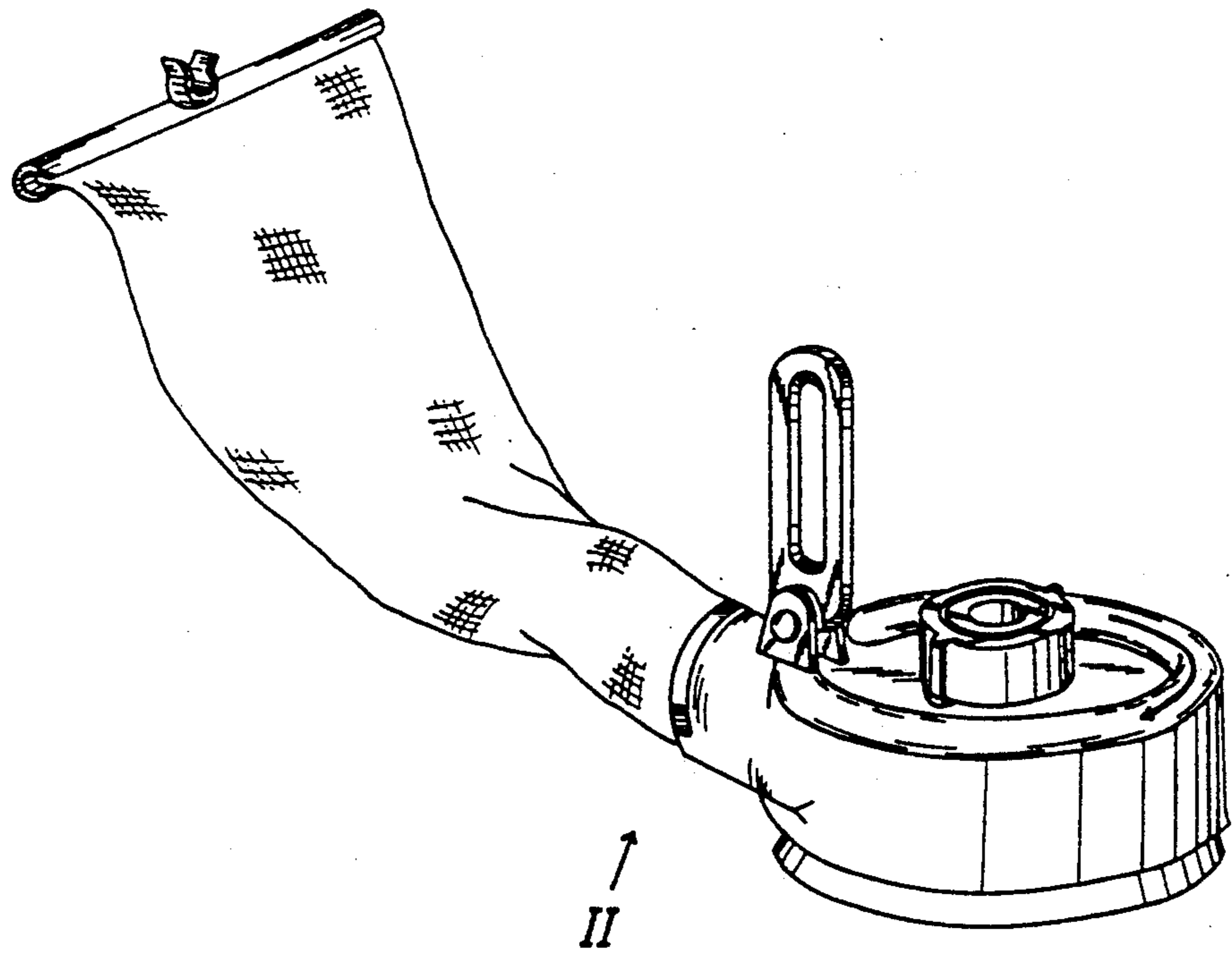


FIG. 1

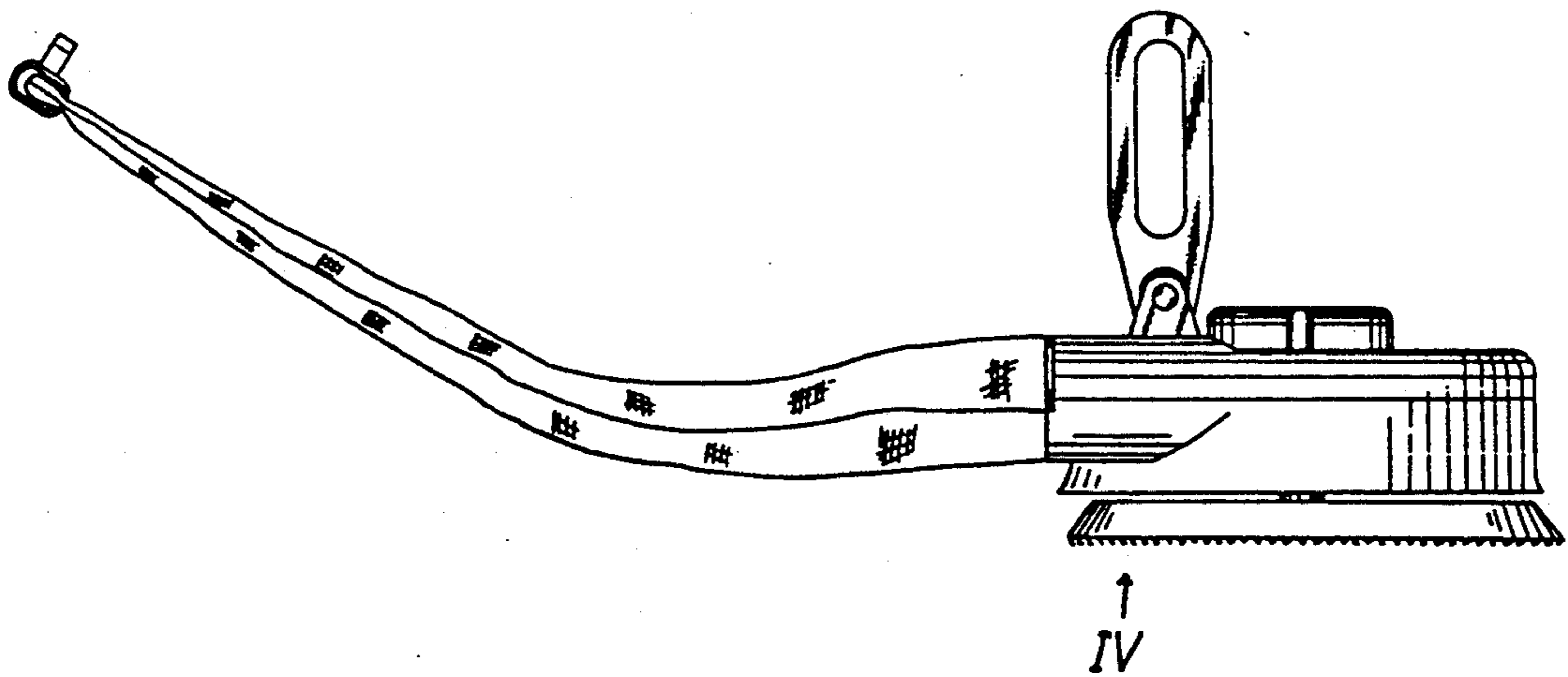


FIG. 2

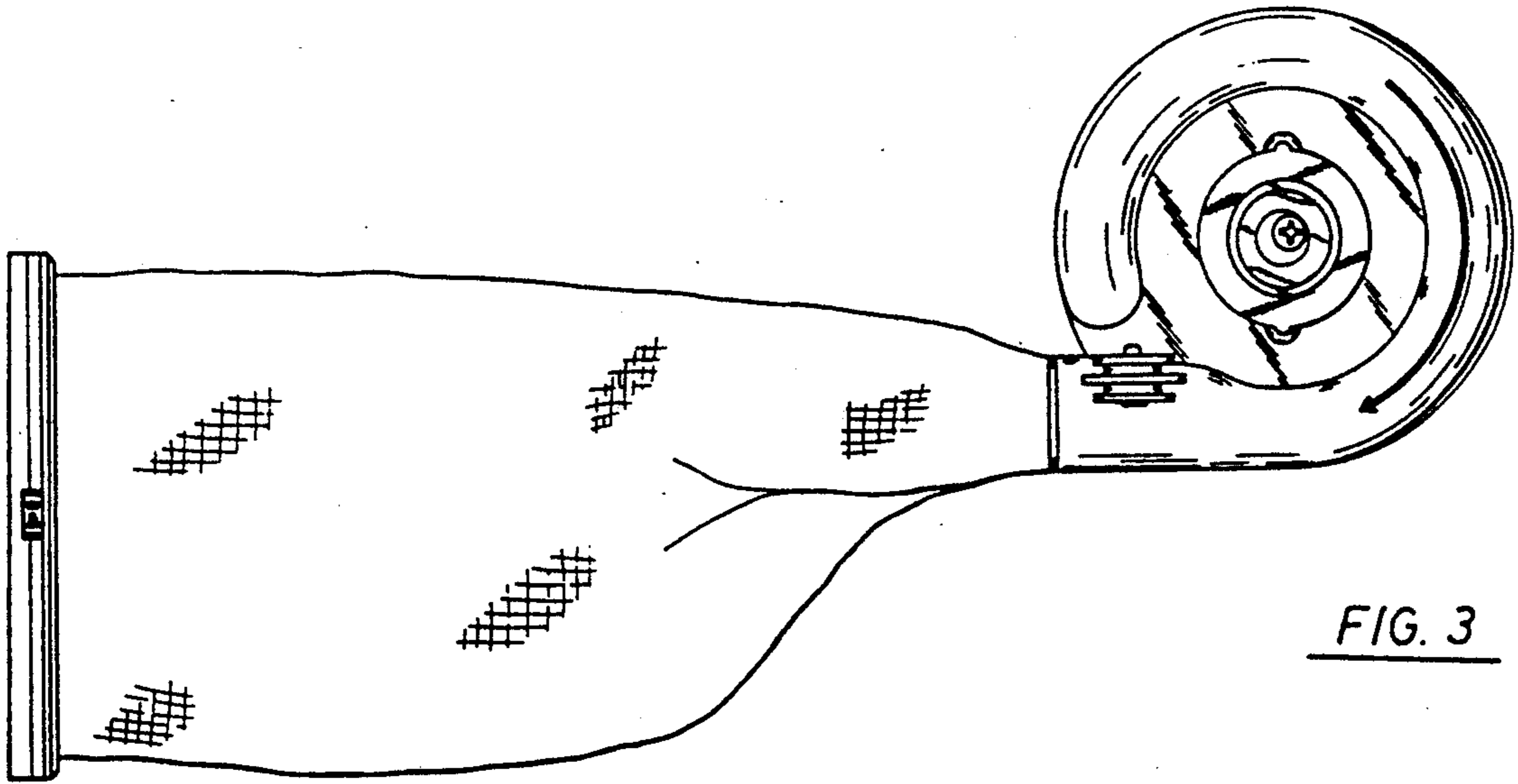


FIG. 3

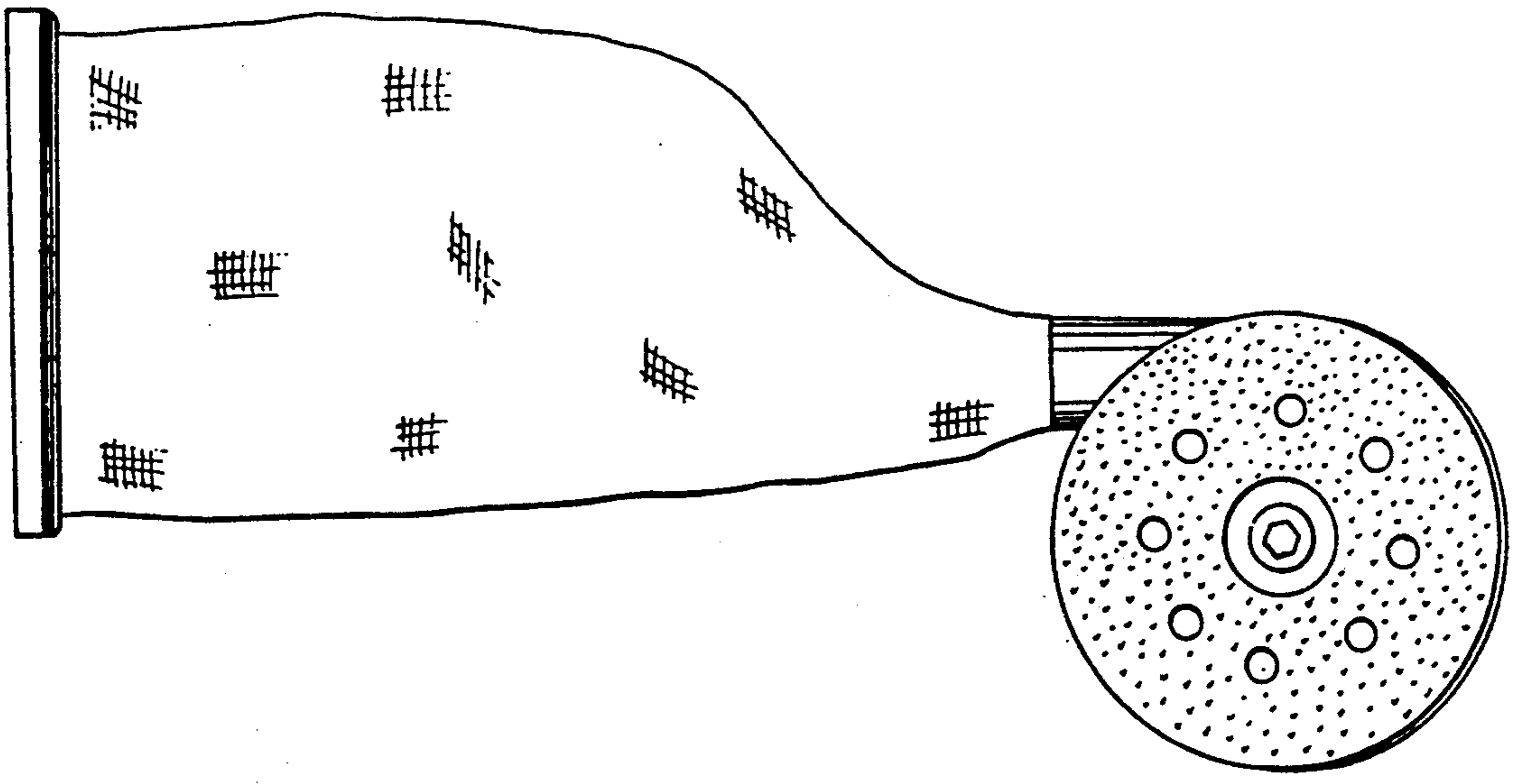


FIG. 4