



US00D334329S

United States Patent [19]

Ogawa et al.

[11] Patent Number: **Des. 334,329**

[45] Date of Patent: **** Mar. 30, 1993**

[54] **PORTABLE PNEUMATIC NAILER**

4,629,106 12/1986 Howard et al. 227/8
5,020,712 6/1991 Monacelli 227/120

[75] Inventors: **Yasunori Ogawa, Mito; Kunio Yamamoto; Kaoru Ichikawa, both of Katsuta, all of Japan**

[73] Assignee: **Hitachi Koki Company, Limited, Tokyo, Japan**

[**] Term: **14 Years**

[21] Appl. No.: **669,304**

[22] Filed: **Mar. 13, 1991**

[30] **Foreign Application Priority Data**

Sep. 21, 1990 [JP] Japan 2-31798

[52] U.S. Cl. **D8/68; D8/69**

[58] Field of Search **D8/61, 68, 69; 227/8, 227/15, 115, 114, 130**

[56] **References Cited**

U.S. PATENT DOCUMENTS

D. 316,022 4/1991 Moraht D8/68
D. 323,964 2/1992 Ogawa et al. D8/69
4,570,840 2/1986 Bull 227/8

OTHER PUBLICATIONS

Brochure of Hitachi Nailer Type NV65AD and NR90A2; Hitachi Koki Kabushiki Kaisha, Feb. 1990.
Hitachi Koki Kabushiki Kaisha, Feb. 1990.

Primary Examiner—Alan P. Douglas
Assistant Examiner—J. H. Musgrove
Attorney, Agent, or Firm—Lowe, Price, LeBlanc & Becker

[57] **CLAIM**

The ornamental design for a portable pneumatic nailer, as shown.

DESCRIPTION

FIG. 1 is a front perspective view of the portable pneumatic nailer;
FIG. 2 is a front elevational view thereof;
FIG. 3 is a left side elevational view thereof;
FIG. 4 is a top plan view thereof;
FIG. 5 is a bottom plan view thereof;
FIG. 6 is a right side elevational view thereof; and,
FIG. 7 is a rear elevational view thereof.

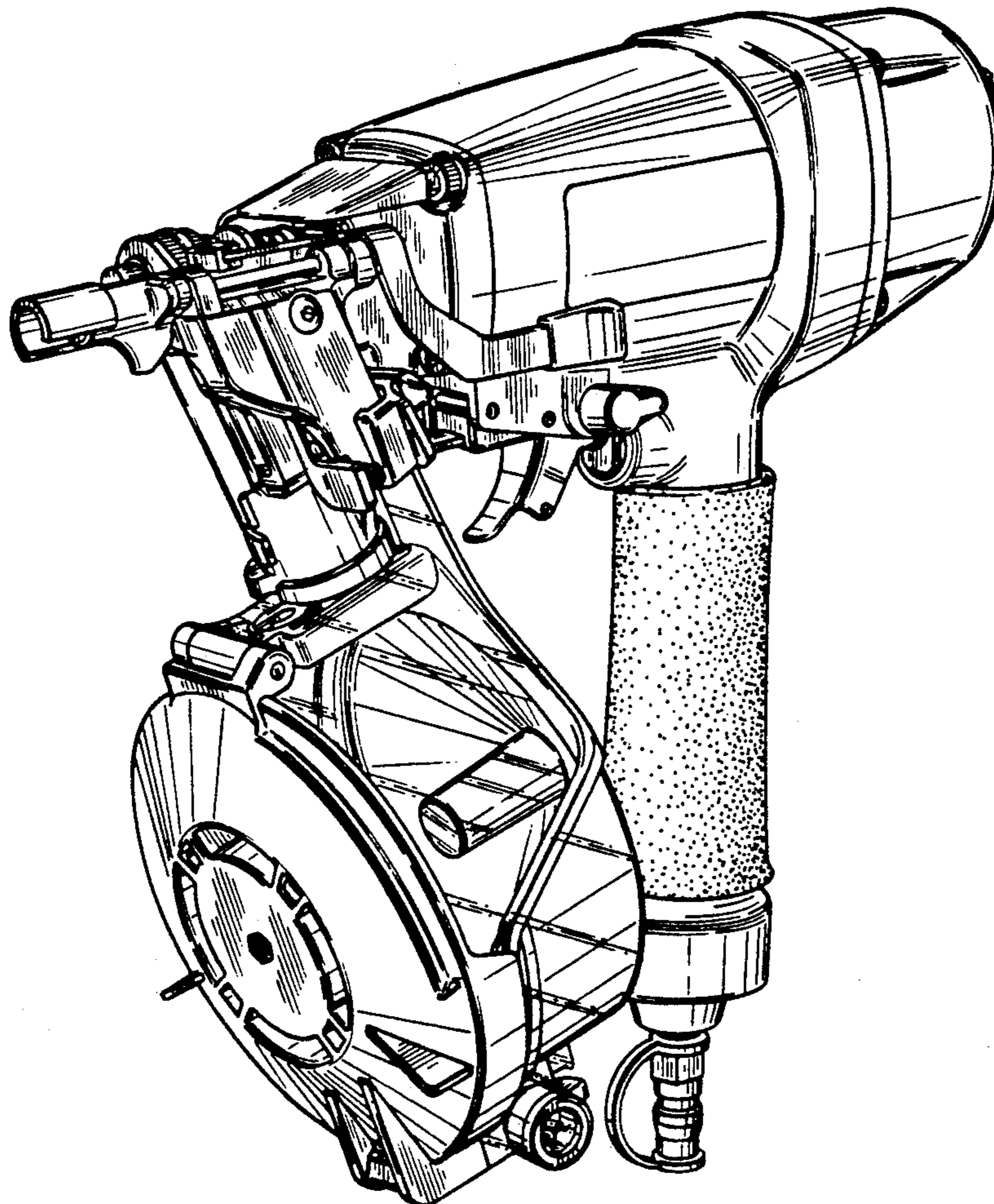


FIG. 1

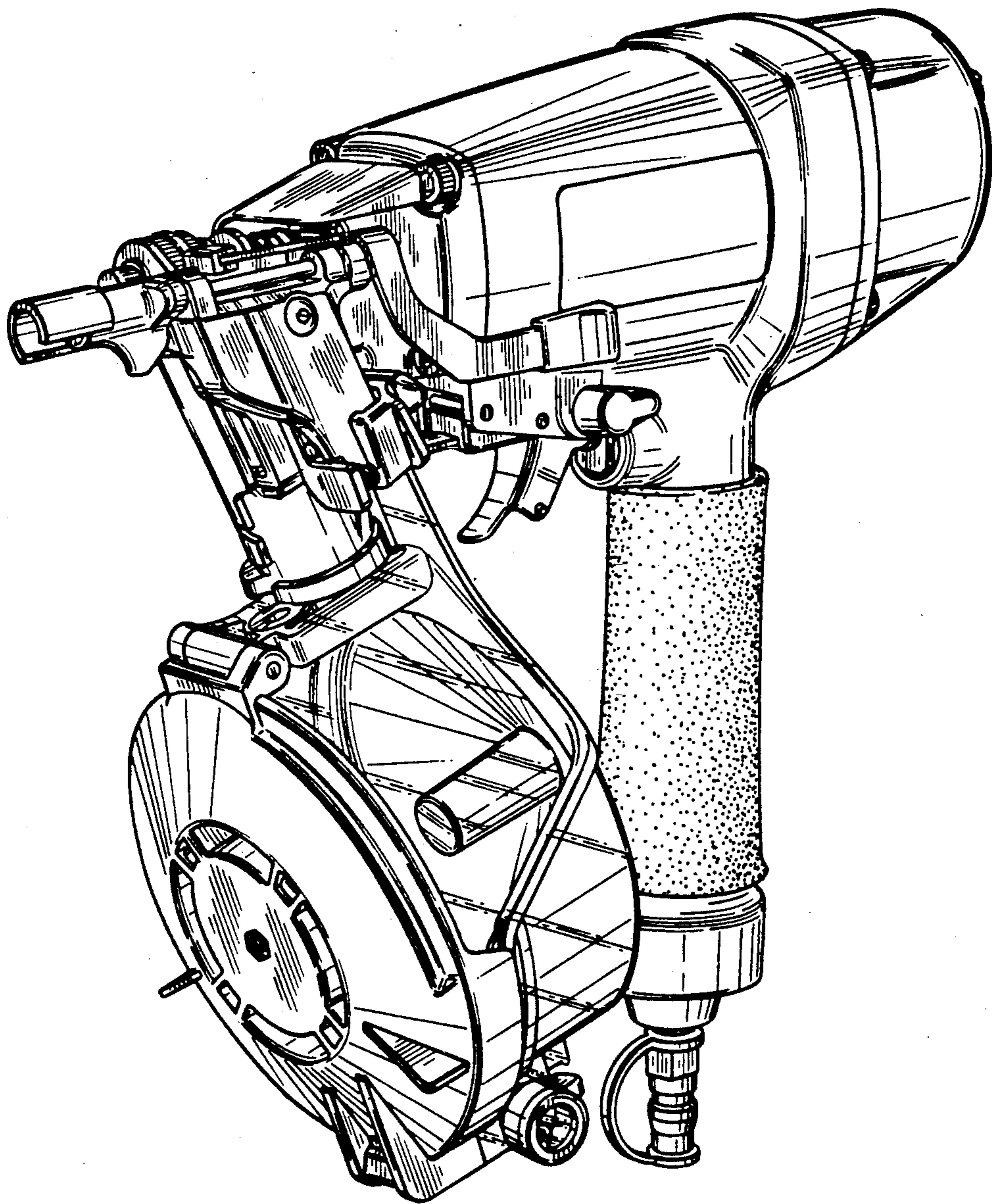


FIG. 2

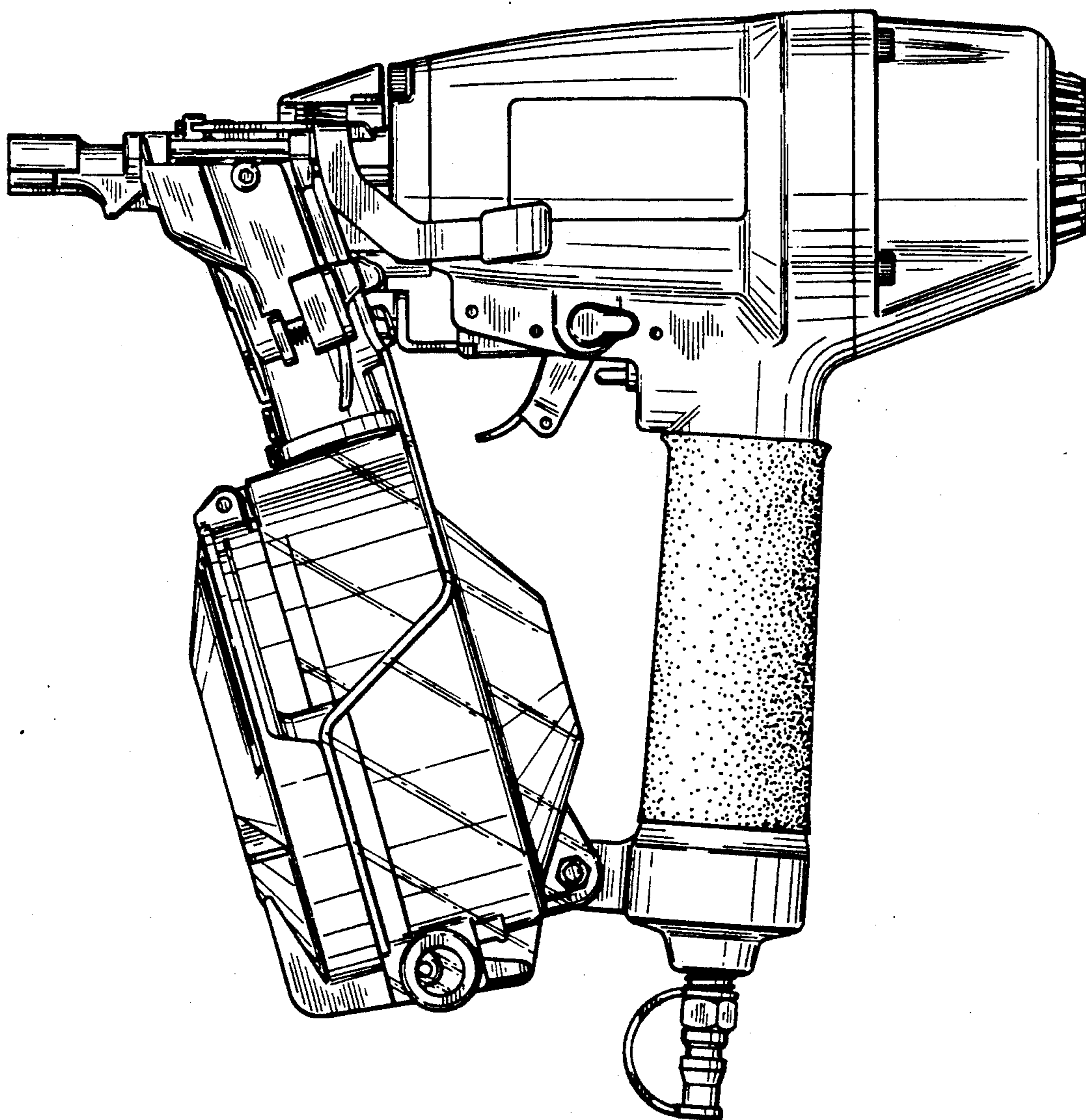


FIG. 3

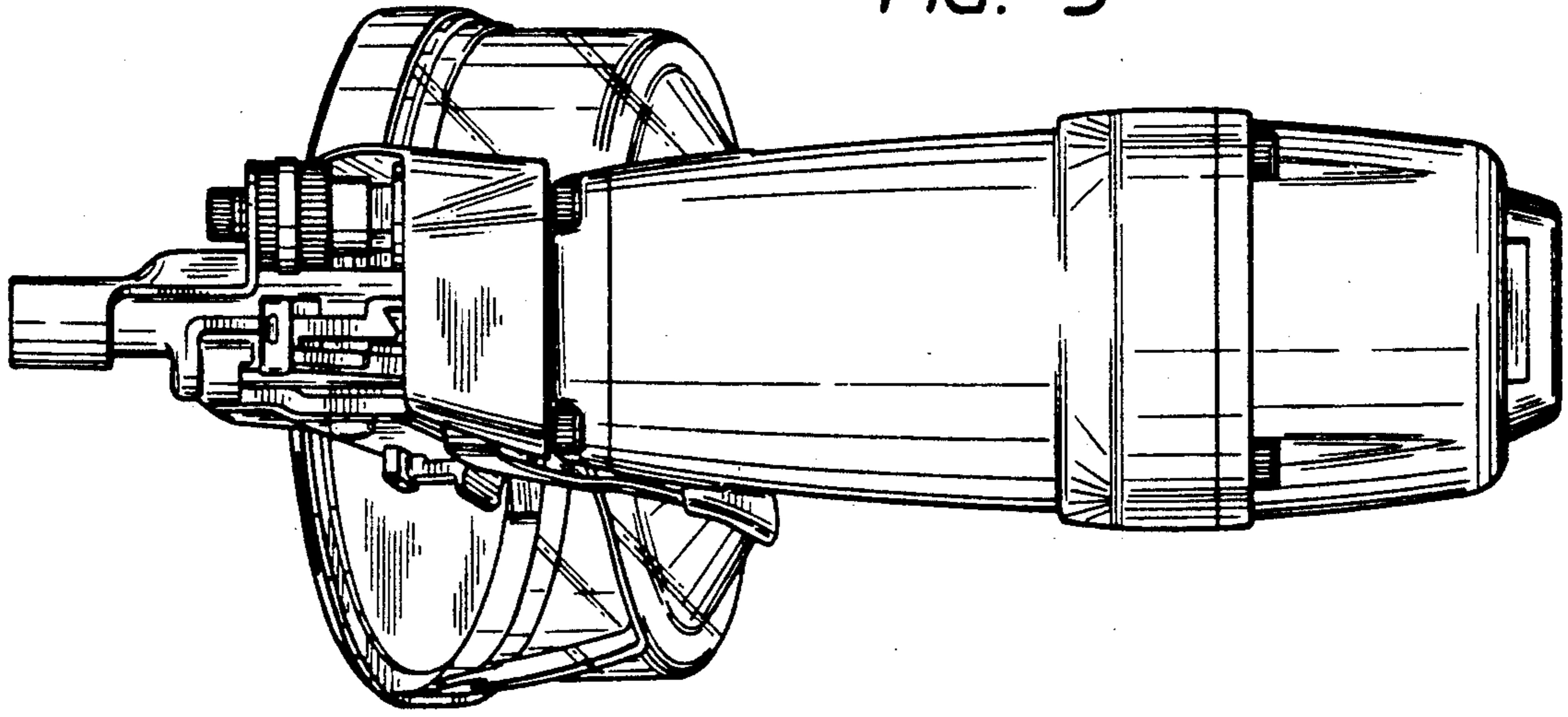


FIG. 4

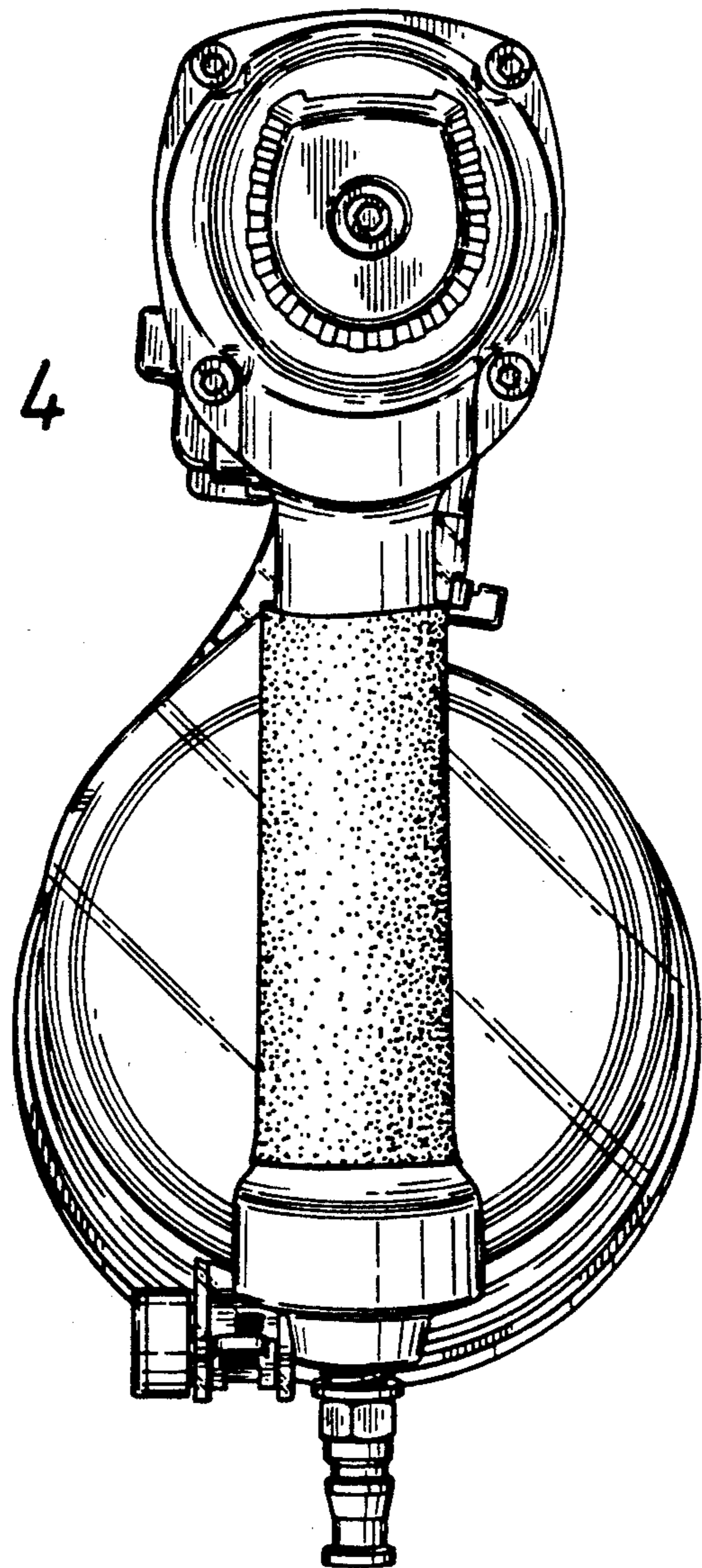


FIG. 5

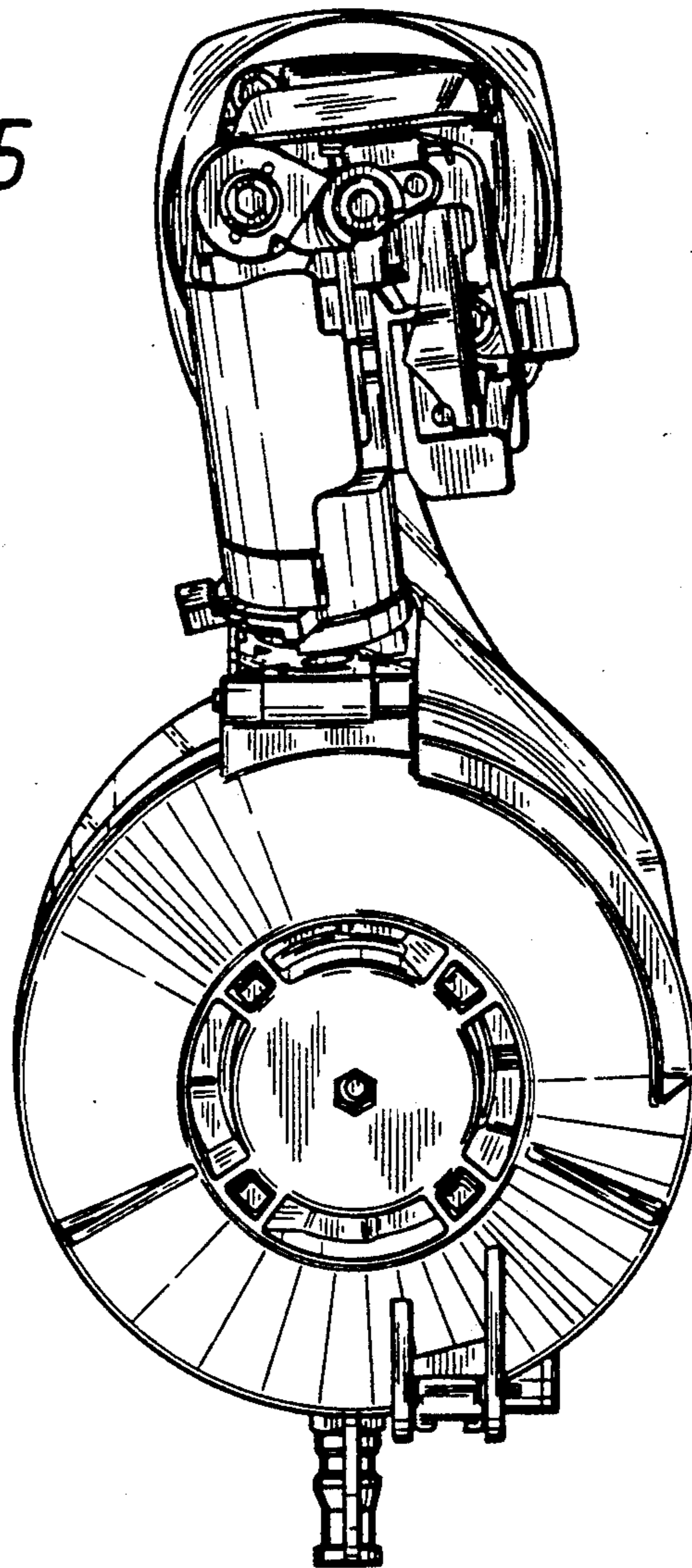


FIG. 6

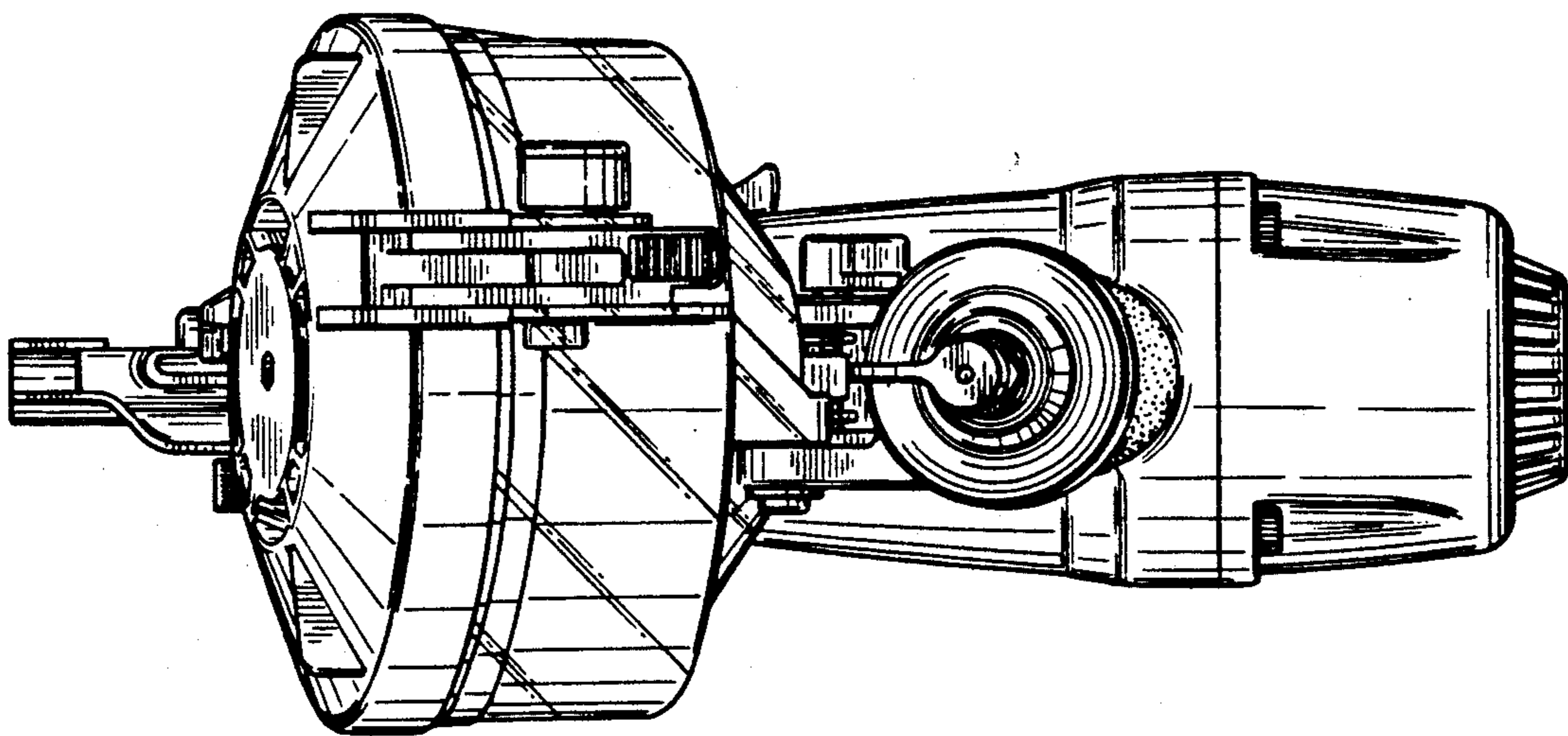


FIG. 7

