



US00D334328S

United States Patent [19]

[11] Patent Number: **Des. 334,328**

Sharpe et al.

[45] Date of Patent: **** Mar. 30, 1993**

[54] **POWER CONTOUR PLANE**

4,187,046 2/1980 Atherton 409/181

[76] Inventors: **Stephen E. Sharpe**, Dannatt House, 81 Brigg Road, Barton-upon-Humber, South Humberside DN18 5DX; **Richard Sharpe**, Witbank, Elm Lane Goxhill, Barrow-upon-Humber, South Humberside; **Garry Brewin**, 27 Beck Hill, Barton-upon-Humber, South Humberside, all of England

FOREIGN PATENT DOCUMENTS

3542263 6/1987 Fed. Rep. of Germany 409/288
1237429 6/1986 U.S.S.R. 409/308

[**] Term: **14 Years**

OTHER PUBLICATIONS

Skil Cat., May, 17 1973, p. 26, gp 290 Lib., Skil Plane. Black & Decker, Sanders, Dec. 3, 1969, gp 290 Library, p. 8.

[21] Appl. No.: **578,836**

Primary Examiner—Bernard Ansher
Assistant Examiner—Philip Hyder
Attorney, Agent, or Firm—Cushman, Darby & Cushman

[22] Filed: **Sep. 7, 1990**

[57] **CLAIM**

[30] **Foreign Application Priority Data**

The ornamental design for a power contour plane, as shown.

Mar. 7, 1990 [GB] United Kingdom 2005225/90

DESCRIPTION

[52] U.S. Cl. **D8/61**

[58] Field of Search D8/61, 62, 101; 30/475; 409/288, 301, 308; 144/119 R, 119 A, 114 R, 225, 117 R; 407/89, 90, 113

FIG. 1 is a top plan view of a power contour plane showing my new design;

FIG. 2 is a front elevational view thereof;

FIG. 3 is a rear elevational view thereof;

FIG. 4 is a right side elevational view thereof;

FIG. 5 is a left side elevational view thereof;

FIG. 6 is a bottom plan view thereof; and,

FIG. 7 is a perspective view thereof.

[56] **References Cited**

U.S. PATENT DOCUMENTS

D. 282,236 1/1986 Shohoji et al. D8/61
D. 305,606 1/1990 Cavedo D8/61

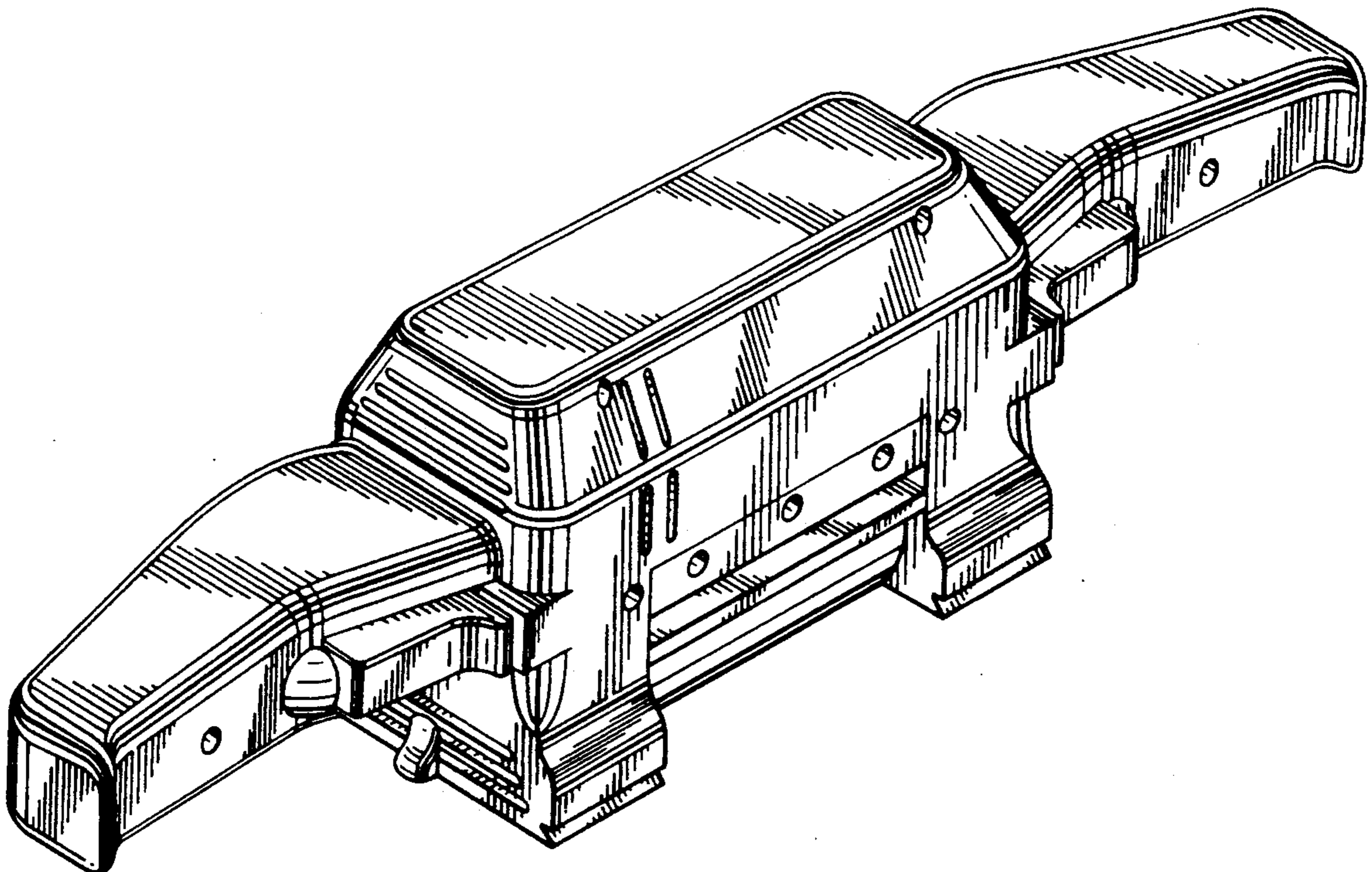


FIG. 1

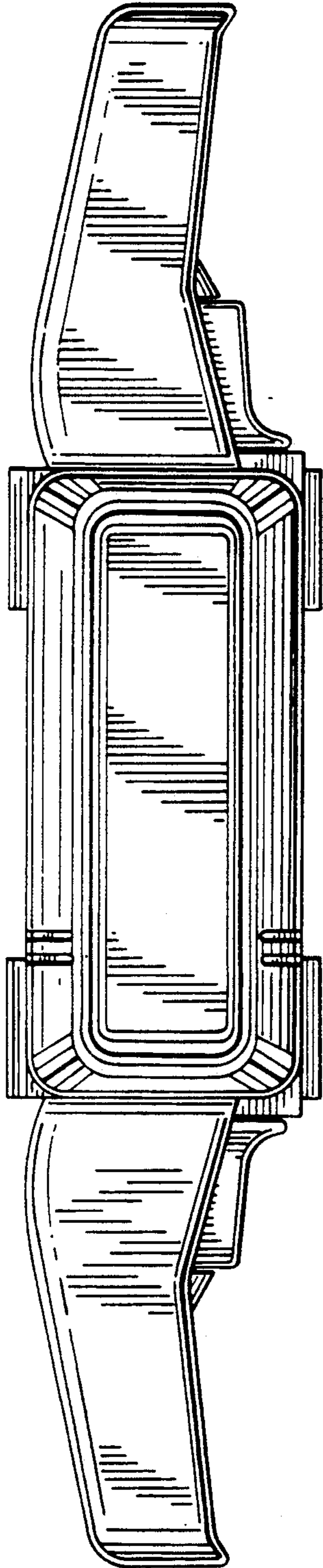


FIG. 2

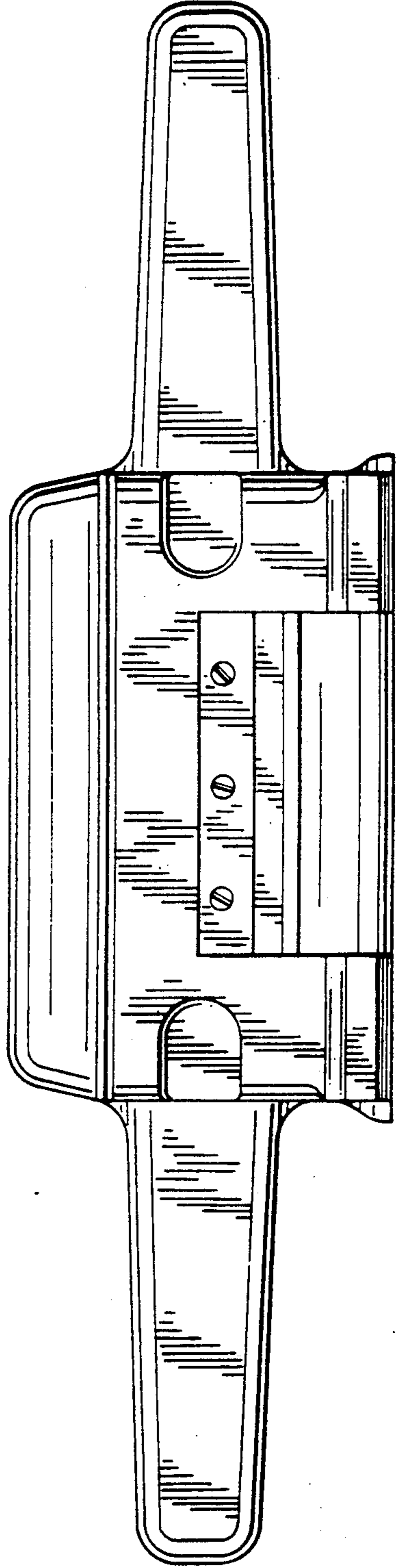


FIG. 3

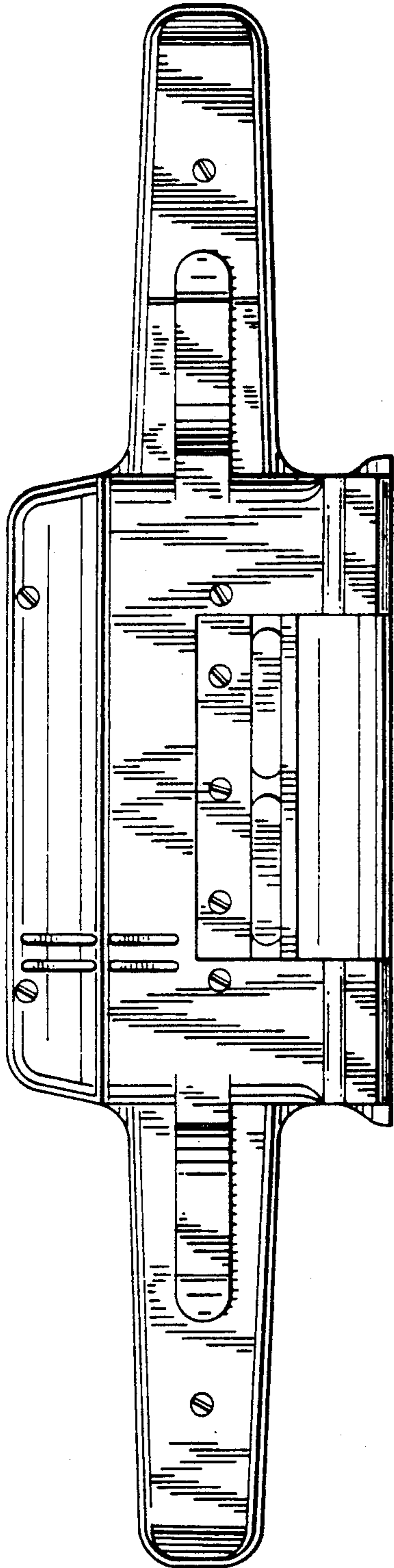


FIG. 4

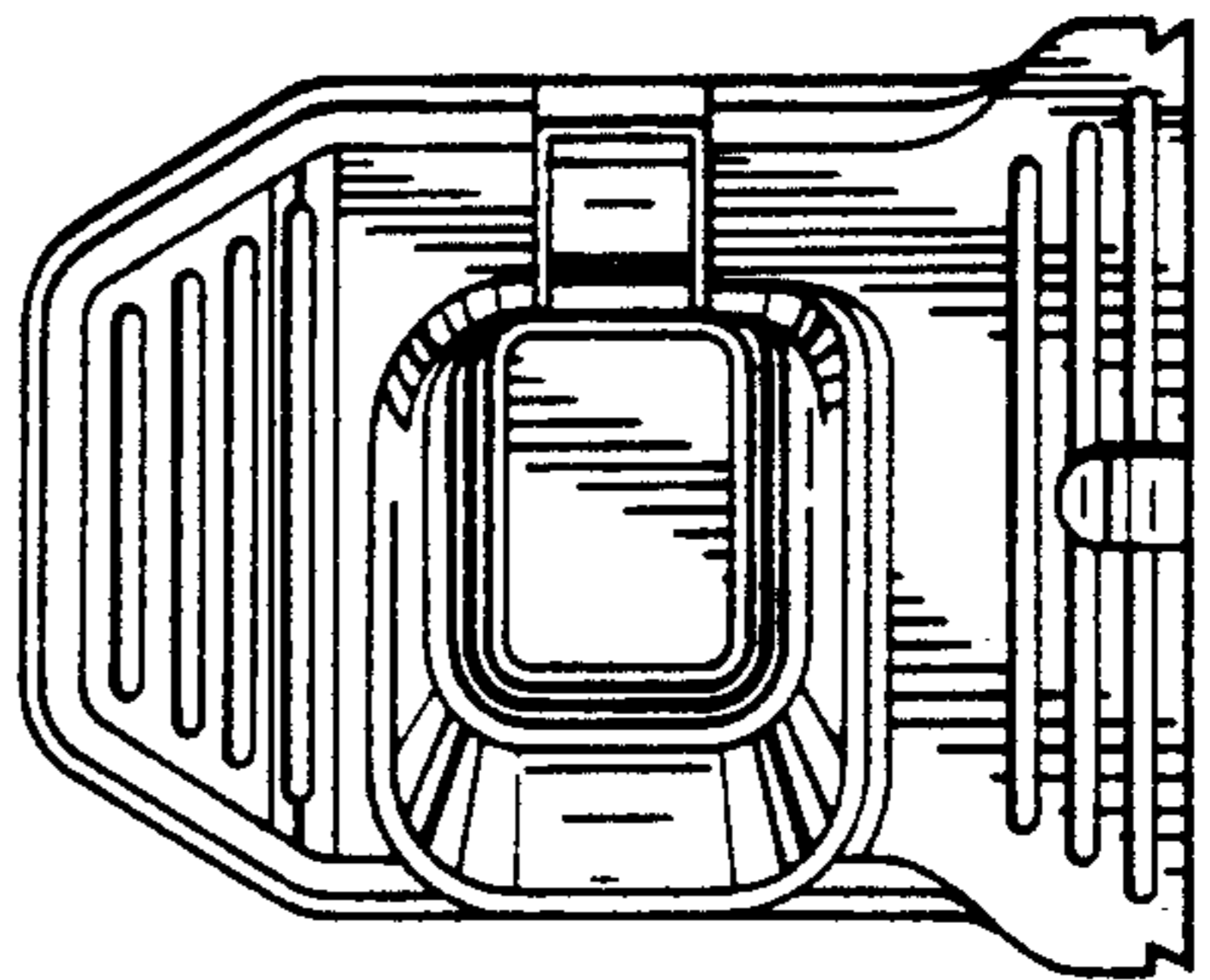


FIG. 5

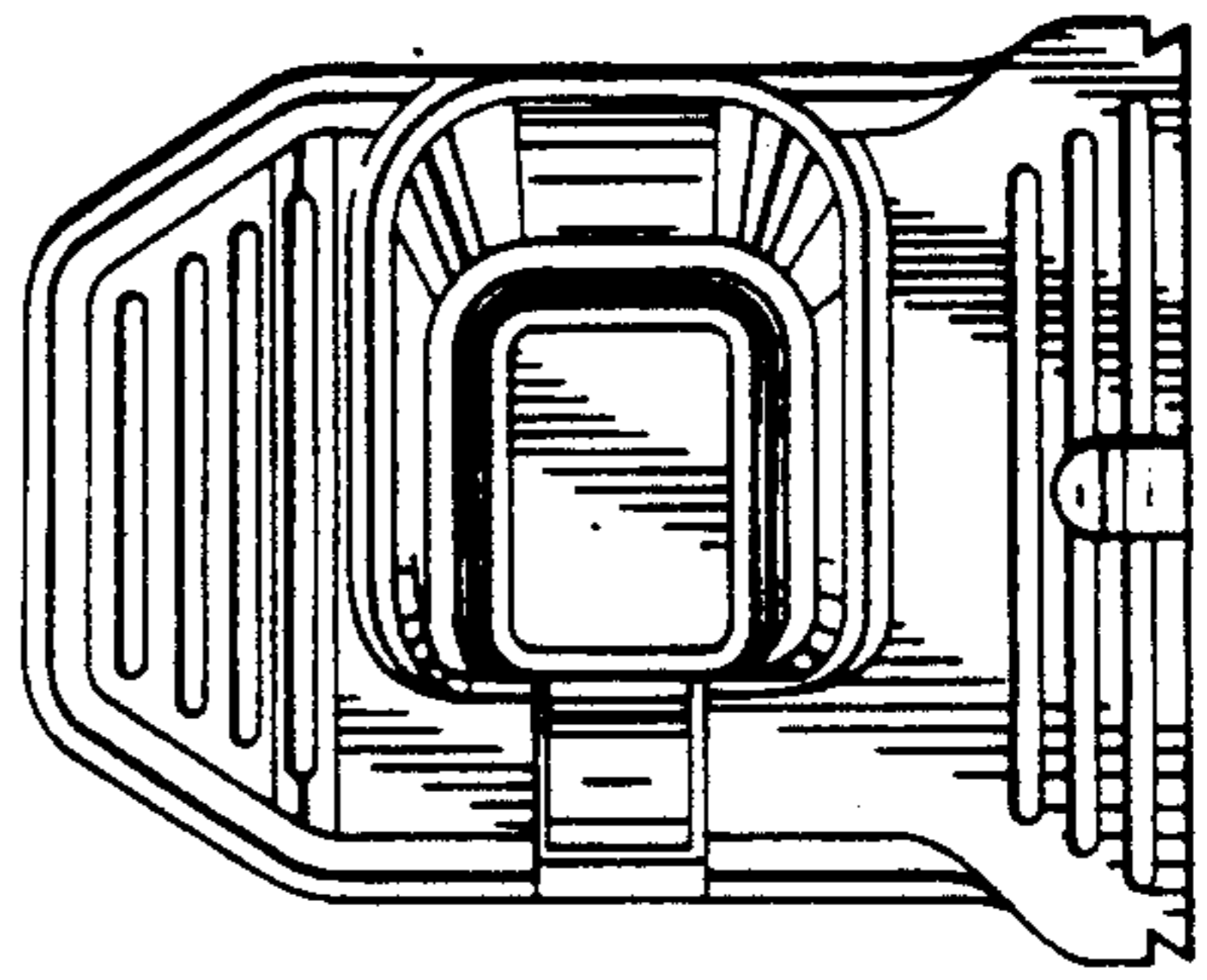


FIG. 6

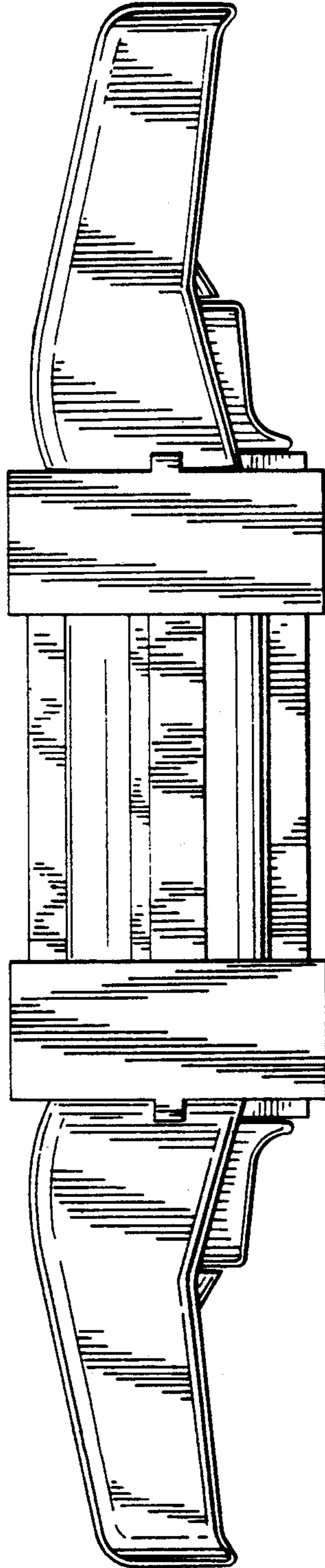


FIG. 7

