



US00D334327S

United States Patent [19]

[11] Patent Number: Des. 334,327

Hiomori

[45] Date of Patent: ** Mar. 30, 1993

[54] STAPLER

4,405,073 9/1983 Escalante D8/50

[75] Inventor: Junji Hiomori, Tokyo, Japan

OTHER PUBLICATIONS

[73] Assignee: Hiomori, Inc., Tokyo, Japan

Acco The Action Line Catalog Rear Cover, Top Middle.

[**] Term: 14 Years

Primary Examiner—Bernard Ansher

[21] Appl. No.: 608,182

Assistant Examiner—R. Barkai

[22] Filed: Nov. 1, 1990

Attorney, Agent, or Firm—Dilworth & Barrese

[30] Foreign Application Priority Data

[57] CLAIM

May 4, 1990 [GB] United Kingdom 2006608/90

The ornamental design for a stapler, as shown and described.

[52] U.S. Cl. D8/50

[58] Field of Search D8/49, 50; 227/120, 227/127, 128, 131, 155

DESCRIPTION

[56] References Cited

U.S. PATENT DOCUMENTS

D. 149,441	4/1948	Peterson	D8/50
D. 277,161	1/1985	Miller	D8/49
D. 304,416	11/1989	Tanigami	D8/49
D. 305,092	12/1989	Olesen	D8/49
D. 310,950	10/1990	Olesen	D8/49
2,753,559	7/1956	Wines	227/128
4,113,164	9/1978	Muthenthaller	227/155

FIG. 1 is a perspective view of a stapler showing my new design;

FIG. 2 is a front elevational view thereof;

FIG. 3 is a rear elevational view thereof;

FIG. 4 is a right side elevational view thereof;

FIG. 5 is a left side elevational view thereof;

FIG. 6 is a top plan view thereof;

FIG. 7 is a bottom plan view thereof; and,

FIG. 8 is a perspective view thereof with the cover in a raised position.

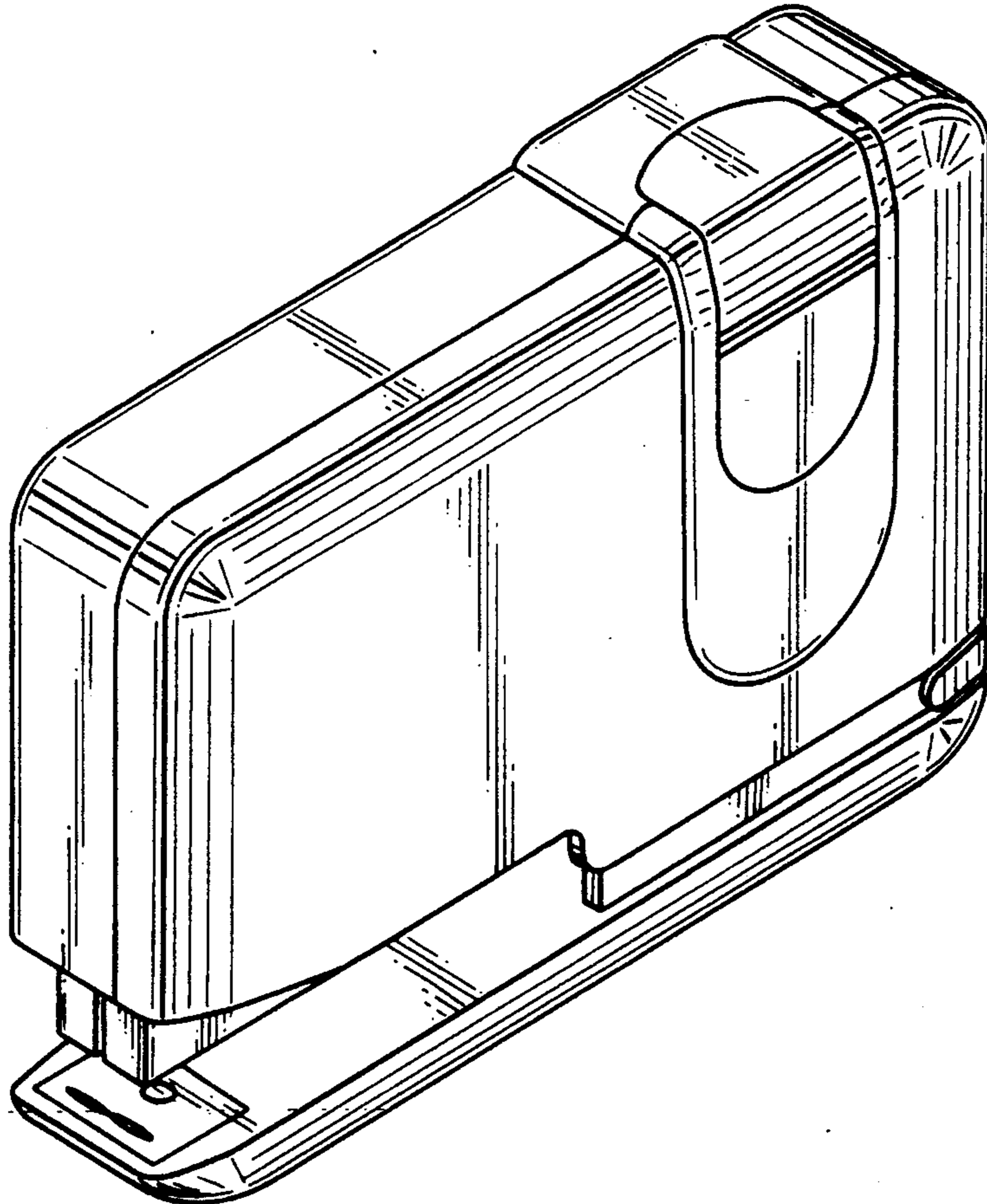


FIG. 1

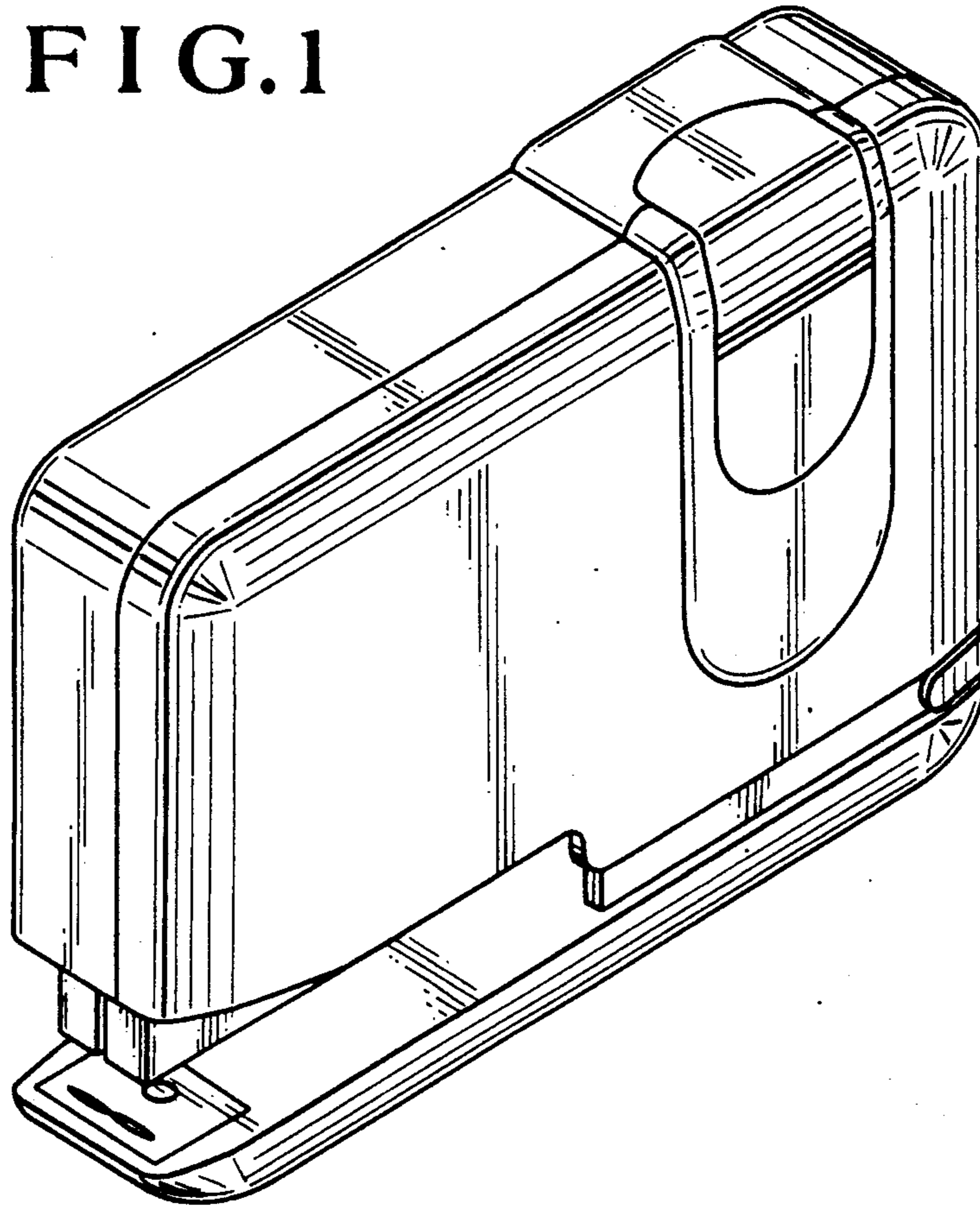


FIG. 2

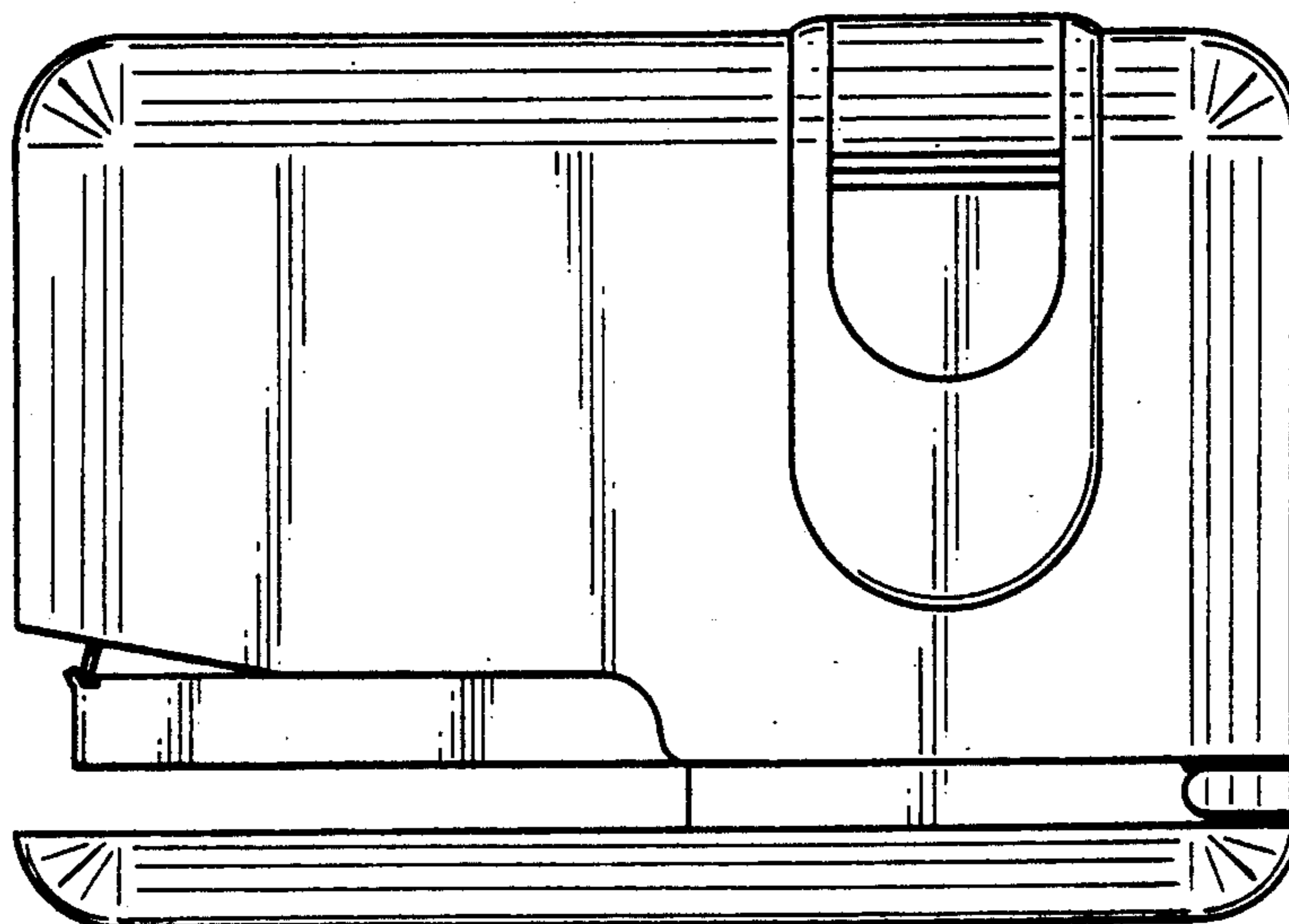


FIG.3

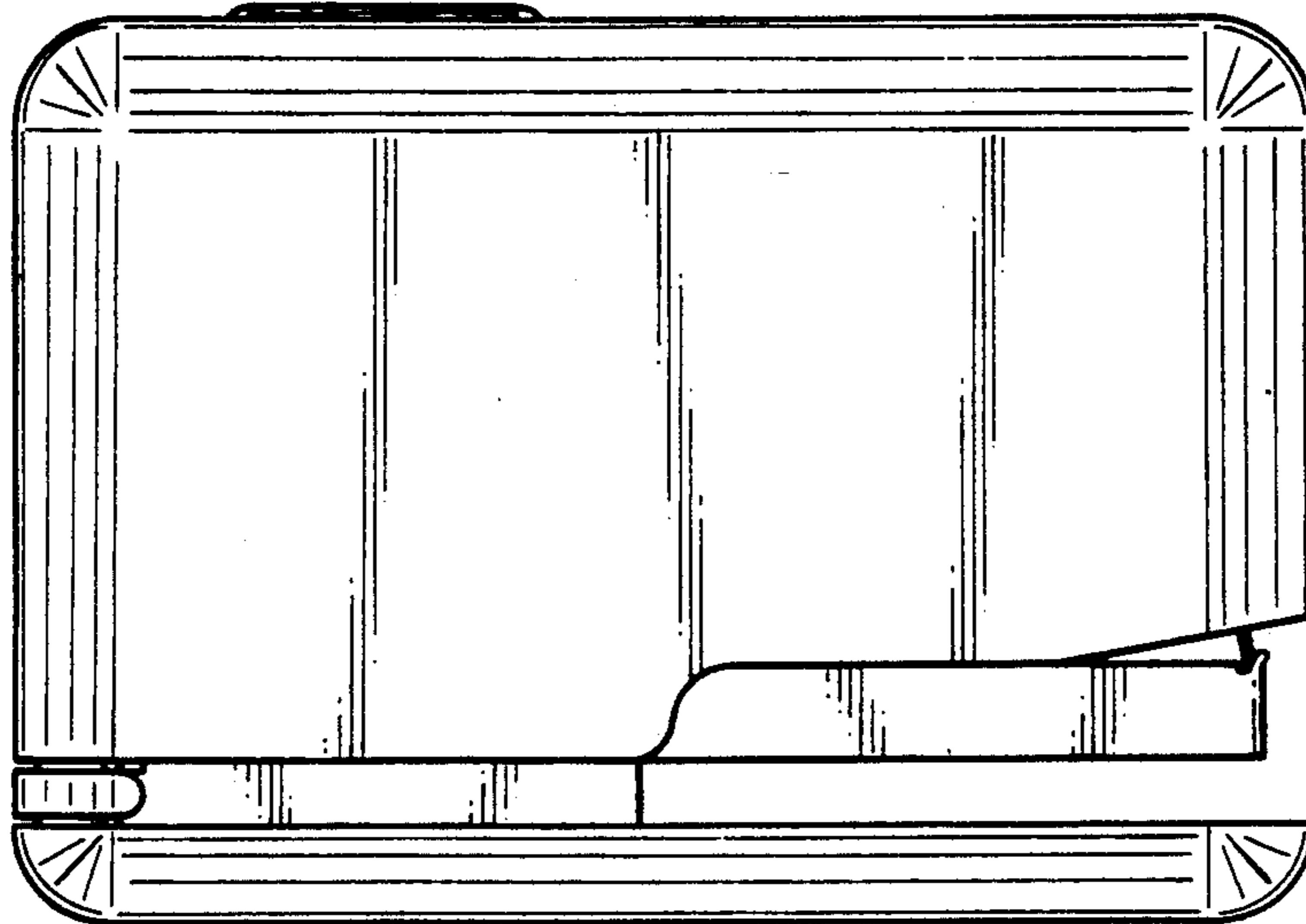


FIG.4

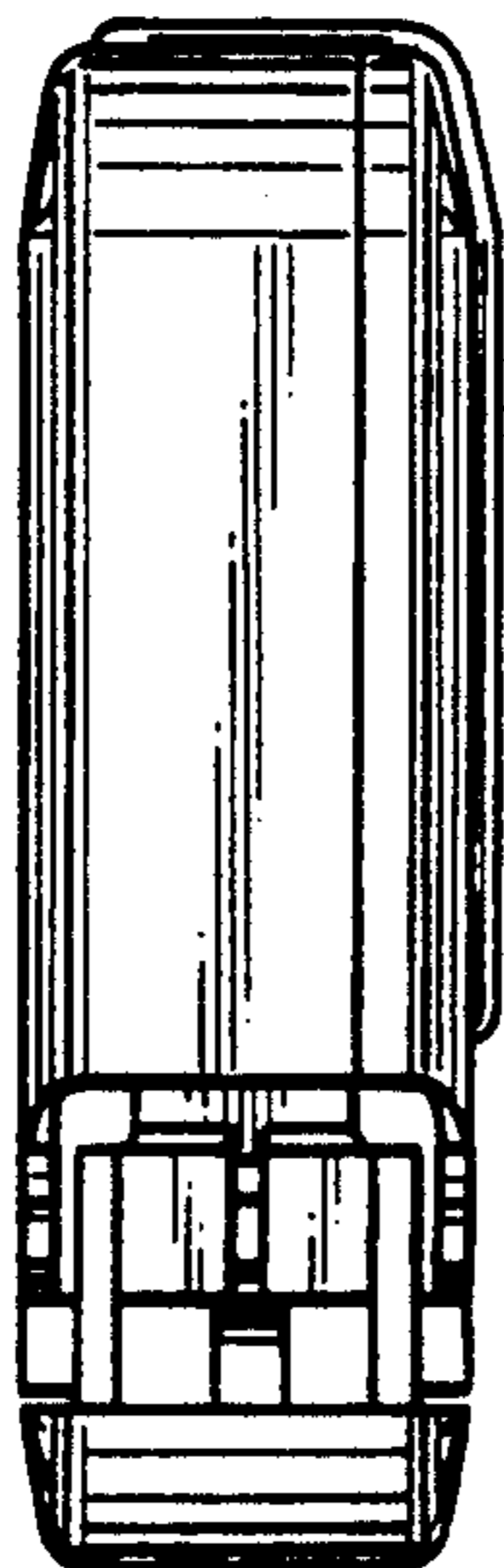


FIG.5

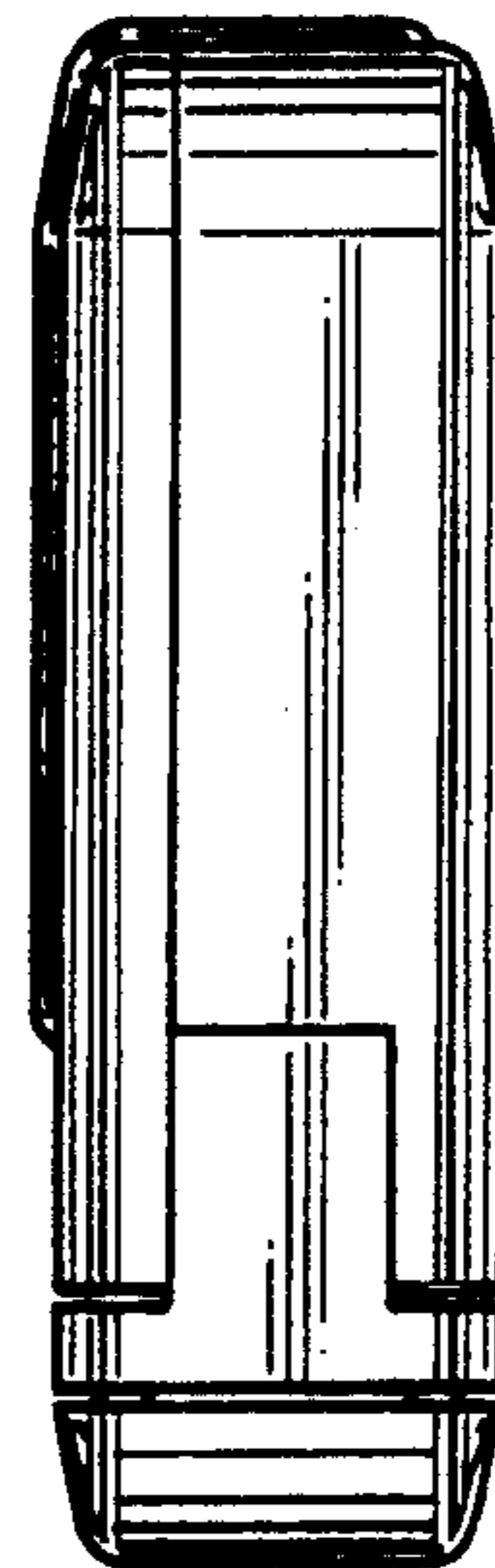


FIG.6

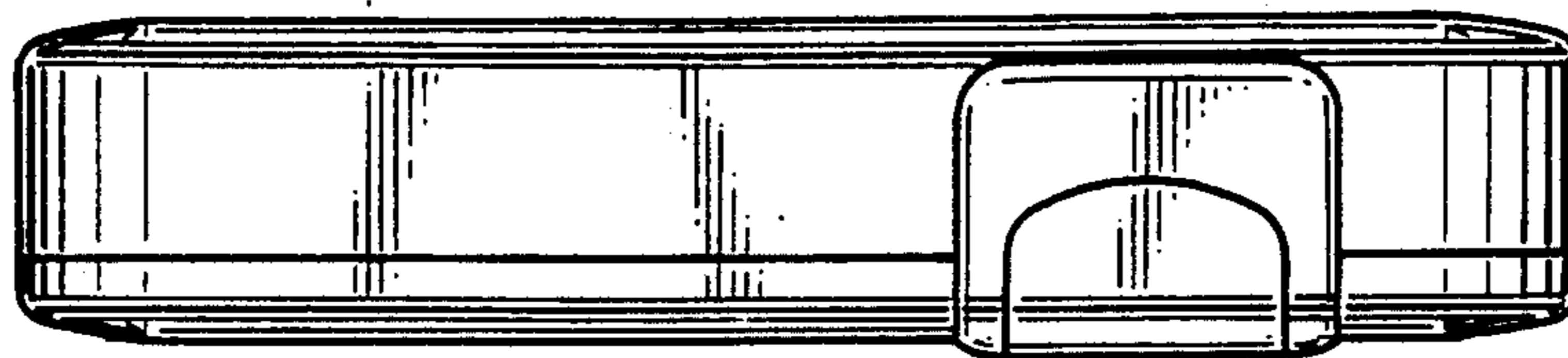


FIG.7

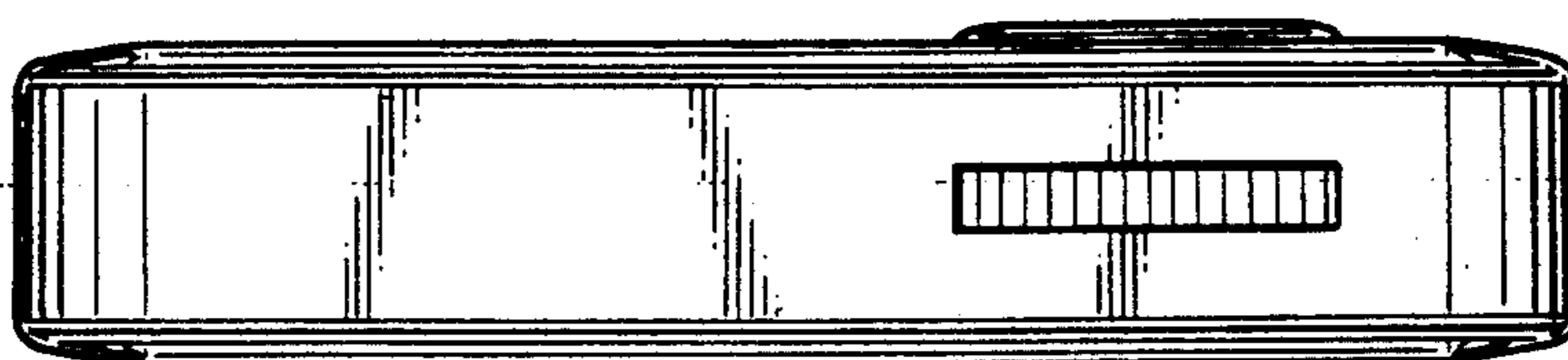


FIG.8

