



US00D334326S

United States Patent [19]

[11] Patent Number: **Des. 334,326**

Detling

[45] Date of Patent: **** Mar. 30, 1993**

[54] **BOTTLE TOP REMOVER**

[76] Inventor: **Alan G. Detling, 2918 E. Pratt St., Baltimore, Md. 21224**

[**] Term: **14 Years**

[21] Appl. No.: **731,862**

[22] Filed: **Jul. 17, 1991**

[52] U.S. Cl. **D8/40**

[58] Field of Search **D8/18, 33-37, D8/39-43; D11/79; D3/62, 64; 81/3.4, 3.44, 3.07, 3.09, 3.2, 3.25, 3.33, 3.35, 3.45, 3.47, 3.48, 3.55, 3.57; 7/152, 156**

[56] **References Cited**

U.S. PATENT DOCUMENTS

- D. 184,726 3/1959 Gill D8/40
- D. 232,415 8/1974 Matsumoto D8/40

- D. 268,806 5/1983 Love D8/37
- D. 281,572 12/1985 Gabriel D8/40
- D. 287,693 1/1987 Janiszski D8/40
- D. 320,916 10/1991 Riddle D8/40

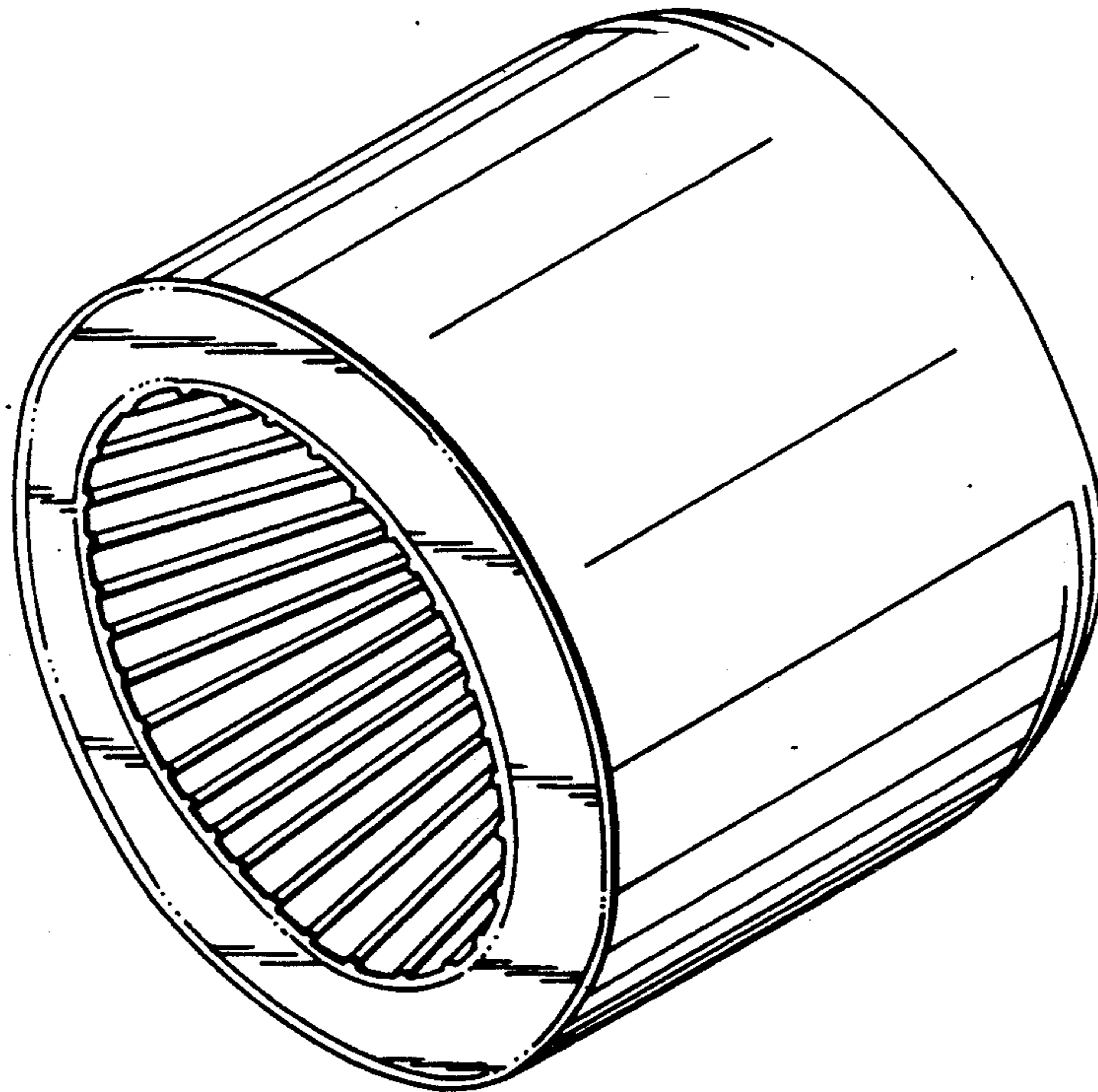
Primary Examiner—Bernard Ansher
Assistant Examiner—R. Barkai
Attorney, Agent, or Firm—Walter G. Finch

[57] **CLAIM**

The ornamental design for a bottle top remover, as shown and described.

DESCRIPTION

FIG. 1 is a perspective view of a bottle top remover showing my new design;
FIG. 2 is a side elevational view thereof, the side opposite being identical;
FIG. 3 is a top plan view thereof; and,
FIG. 4 is a bottom plan view thereof.



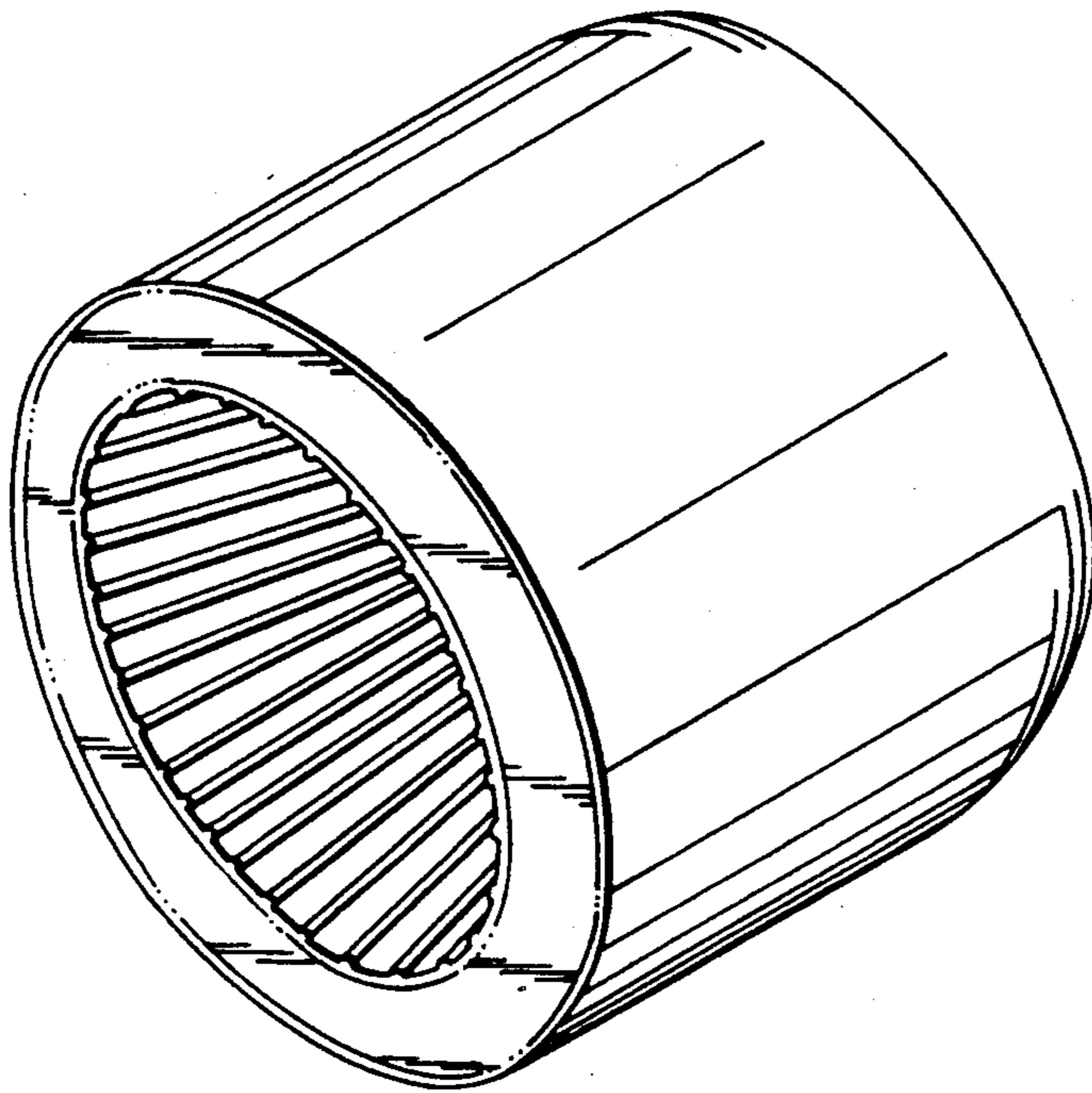


Fig. 1

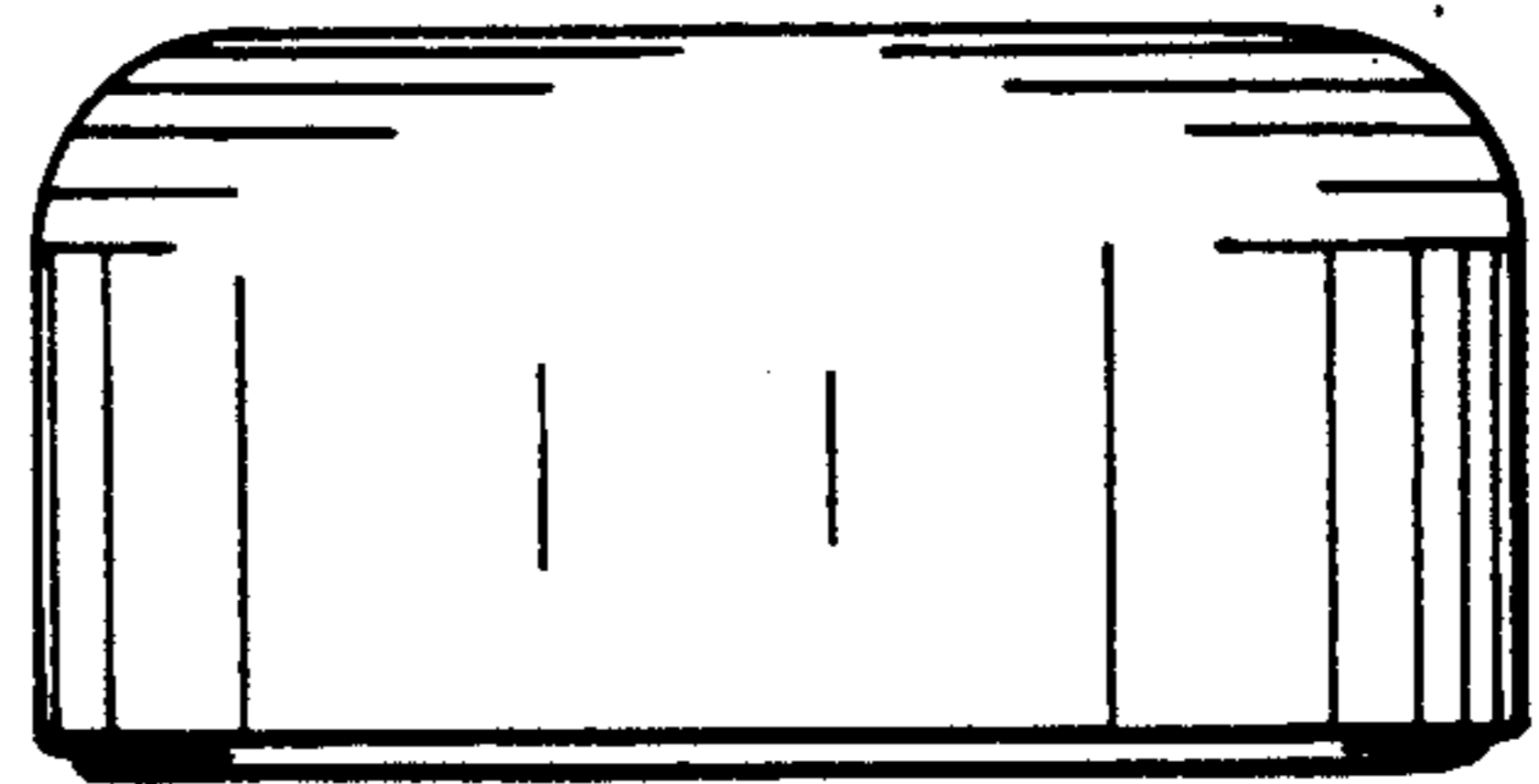


Fig. 2

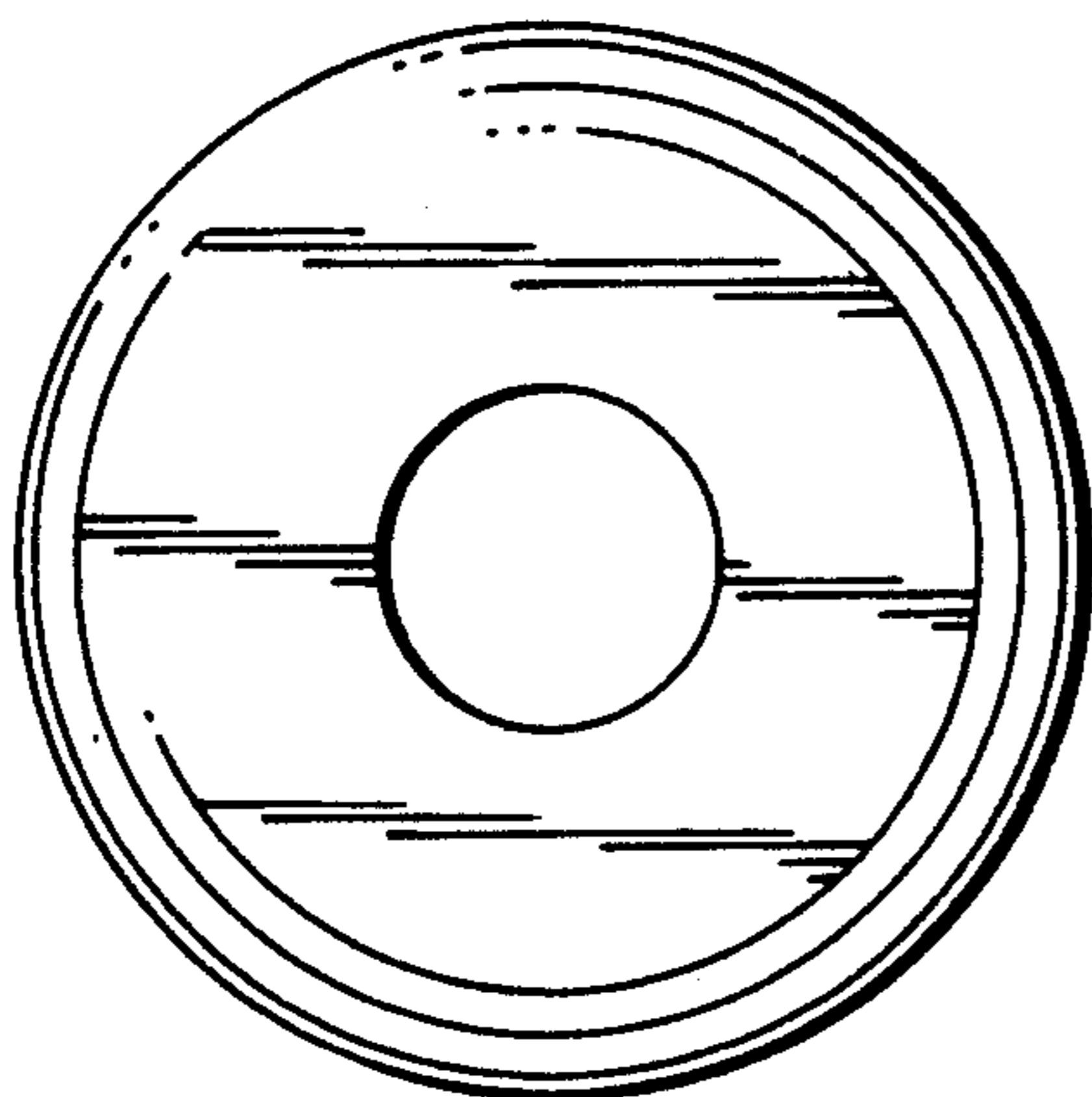


Fig. 3

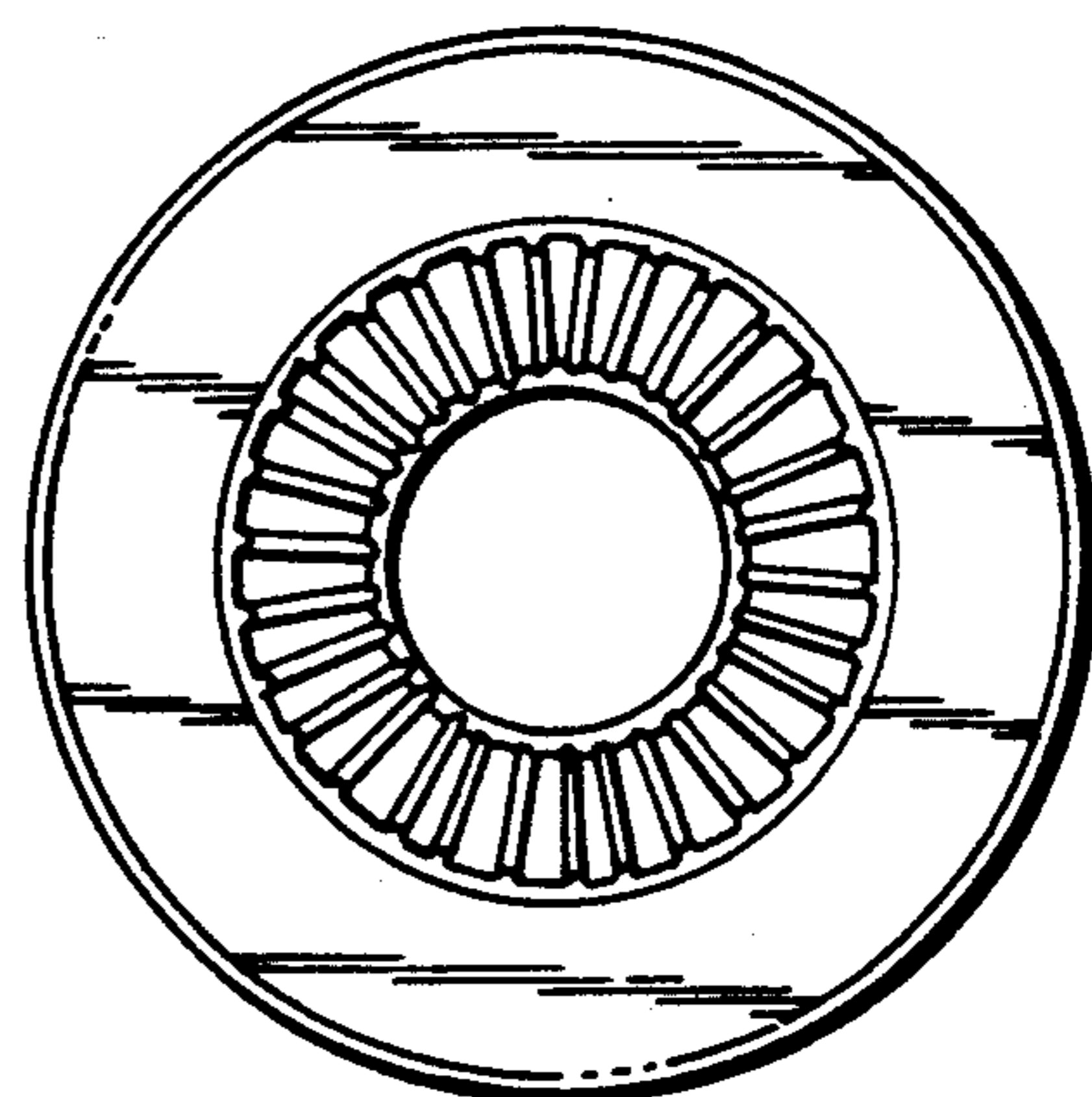


Fig. 4