



US00D334325S

# United States Patent [19]

Ingvorsen

[11] Patent Number: **Des. 334,325**

[45] Date of Patent: **\*\* Mar. 30, 1993**

[54] **TONGS FOR ARCHED PAVING STONES**

4,055,364 10/1977 Breite ..... 294/62  
5,039,150 8/1991 Jones et al. .... 294/3

[76] Inventor: **Niels I. Ingvorsen**, Lonbjergparken 3,  
Roskilde, Denmark 4000

[\*\*] Term: **14 Years**

[21] Appl. No.: **389,117**

[22] Filed: **Aug. 2, 1989**

[30] **Foreign Application Priority Data**

Feb. 22, 1989 [DE] Fed. Rep. of Germany ... 8902244[U]

[52] U.S. Cl. .... **D8/14**

[58] Field of Search ..... D8/14, 71; 294/62, 3,  
294/26

[56] **References Cited**

### U.S. PATENT DOCUMENTS

870,450 11/1907 Mayer ..... 294/62  
883,388 3/1908 Carlson ..... 294/62  
1,153,269 9/1915 Sturm ..... 294/62  
1,220,505 3/1917 Eggers ..... 294/62

### OTHER PUBLICATIONS

Goldbatt Tools, Apr. 1982, p. 30, Brick Handle Tongs.

*Primary Examiner*—Bernard Ansher

*Assistant Examiner*—Philip Hyder

*Attorney, Agent, or Firm*—Darby & Darby

[57] **CLAIM**

The ornamental design for tongs for arched paving stones, as shown.

### DESCRIPTION

FIG. 1 is a front elevational view of a tongs for arched paving stones, showing my new design;

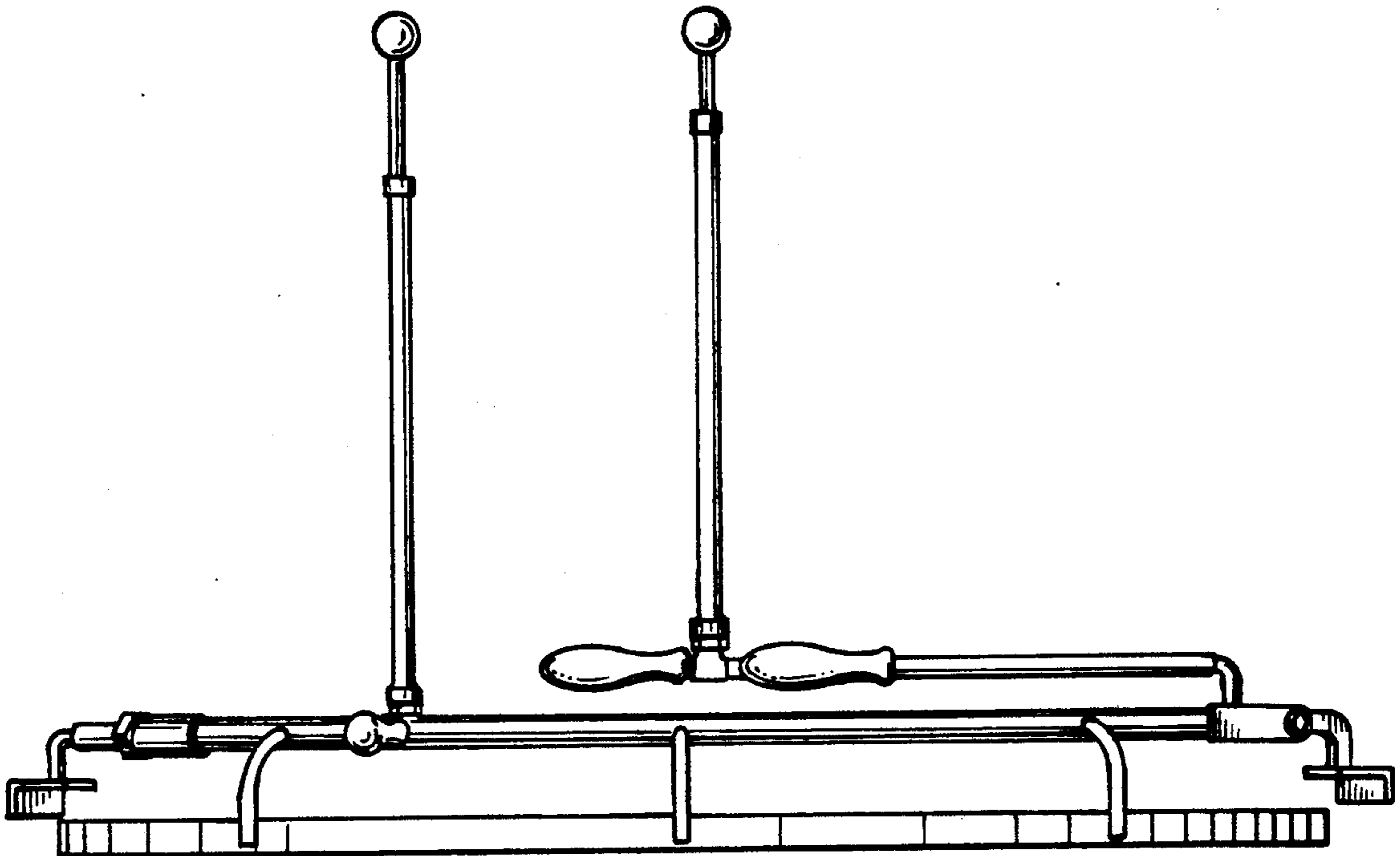
FIG. 2 is a top plan view thereof;

FIG. 3 is a rear elevational view thereof;

FIG. 4 is a right-side elevational view thereof;

FIG. 5 is a left-side elevational view thereof; and,

FIG. 6 is a bottom plan view thereof.



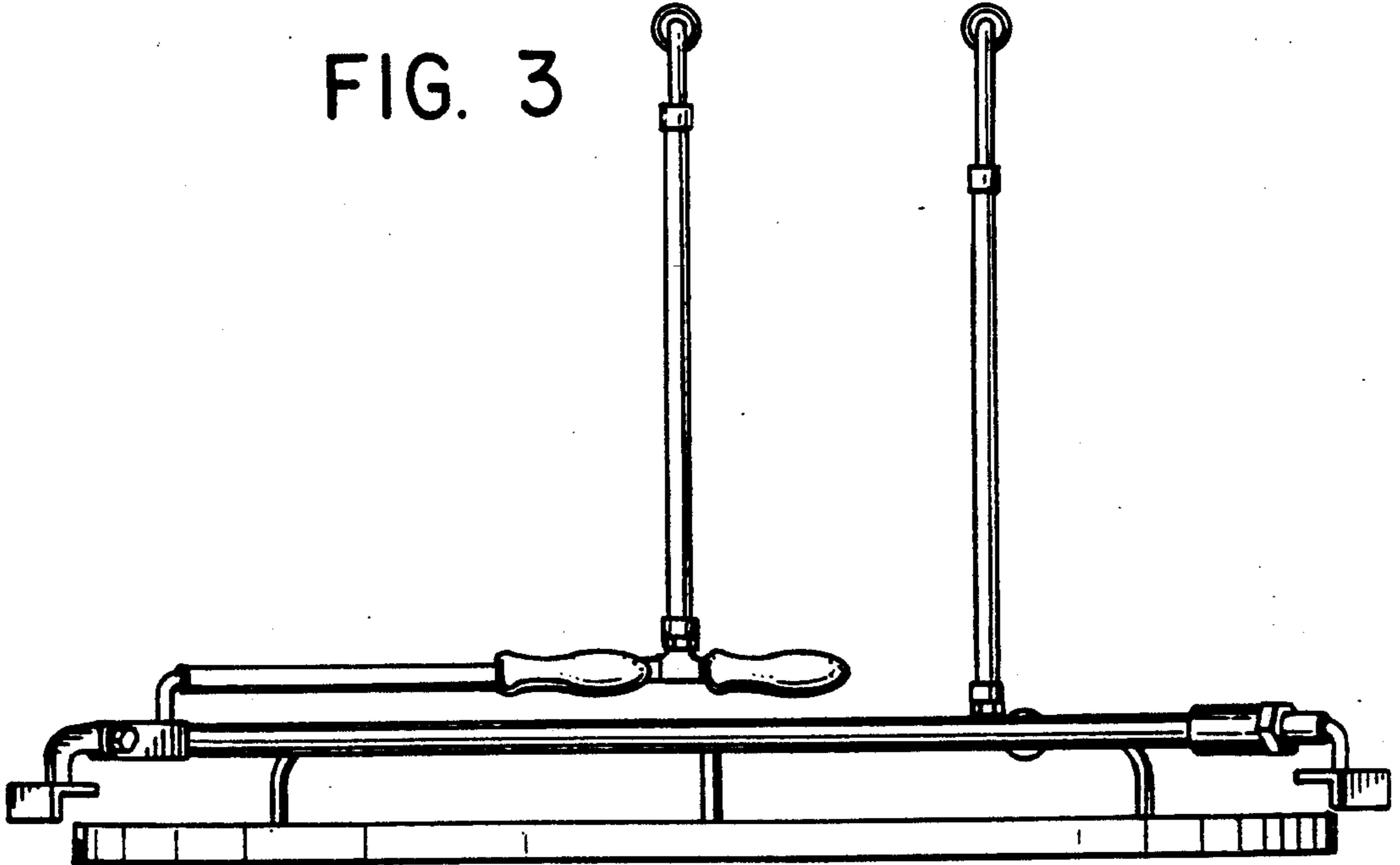
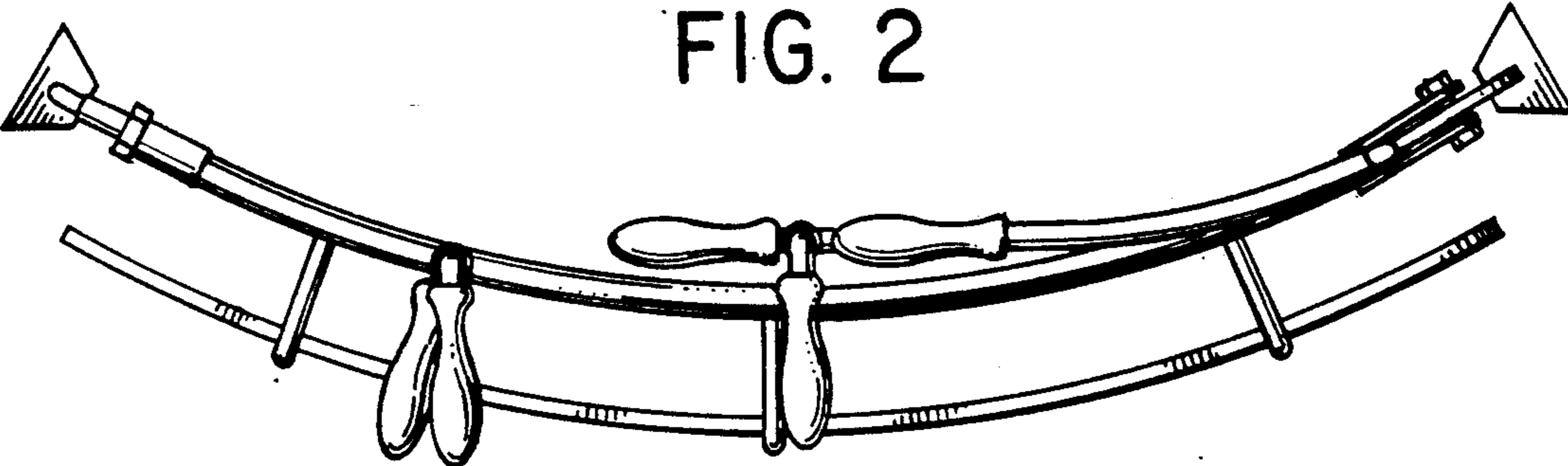
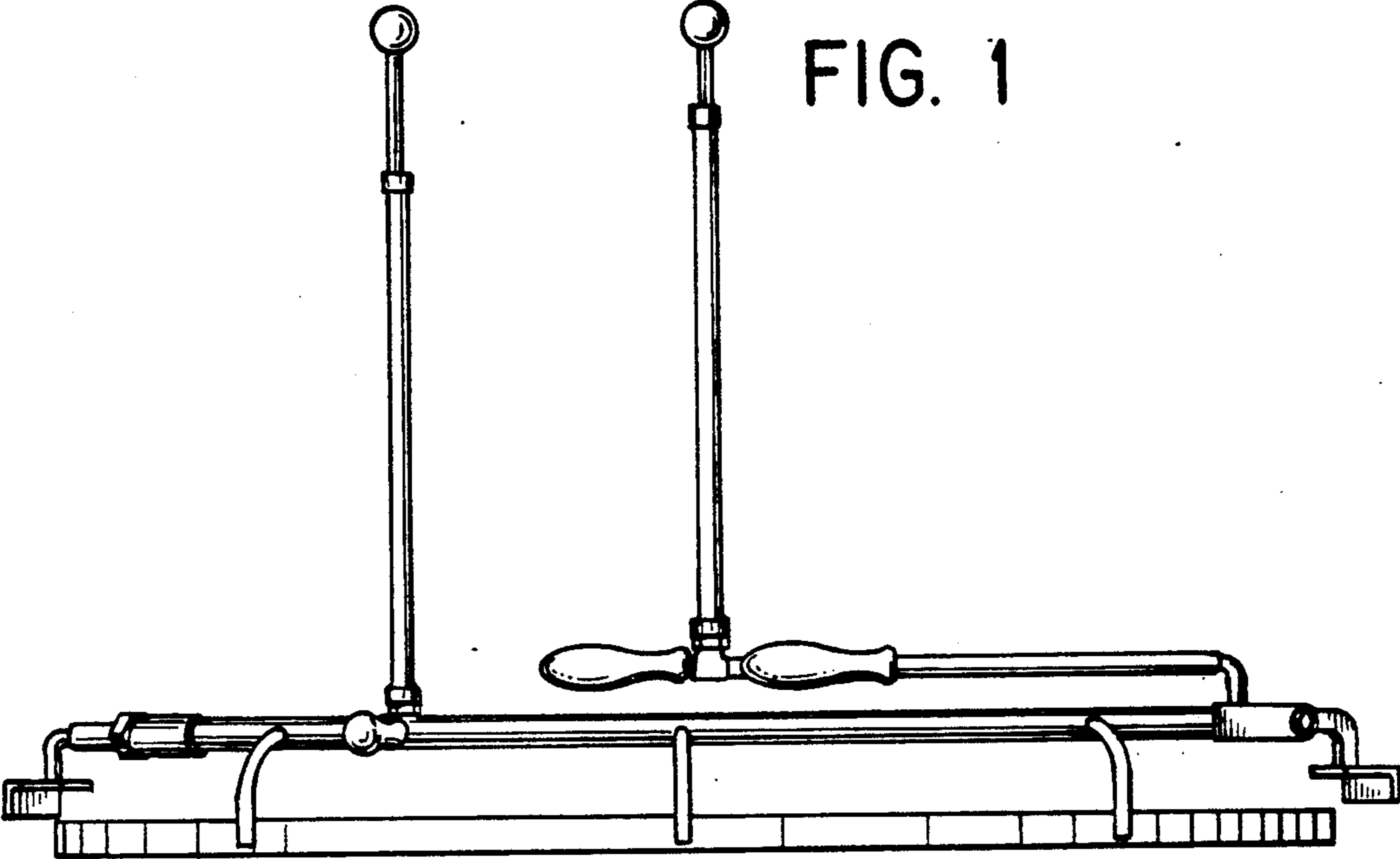


FIG. 4

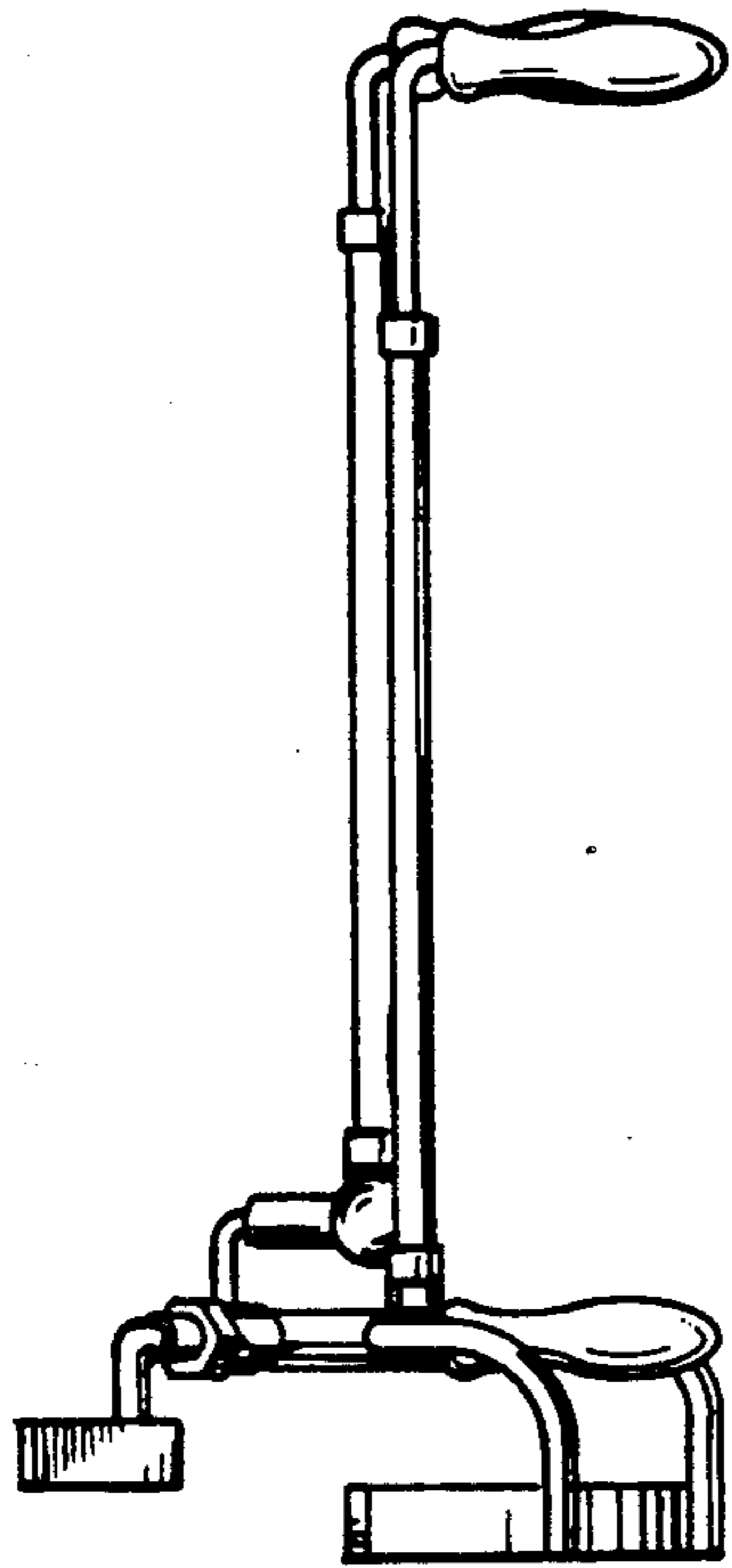


FIG. 5

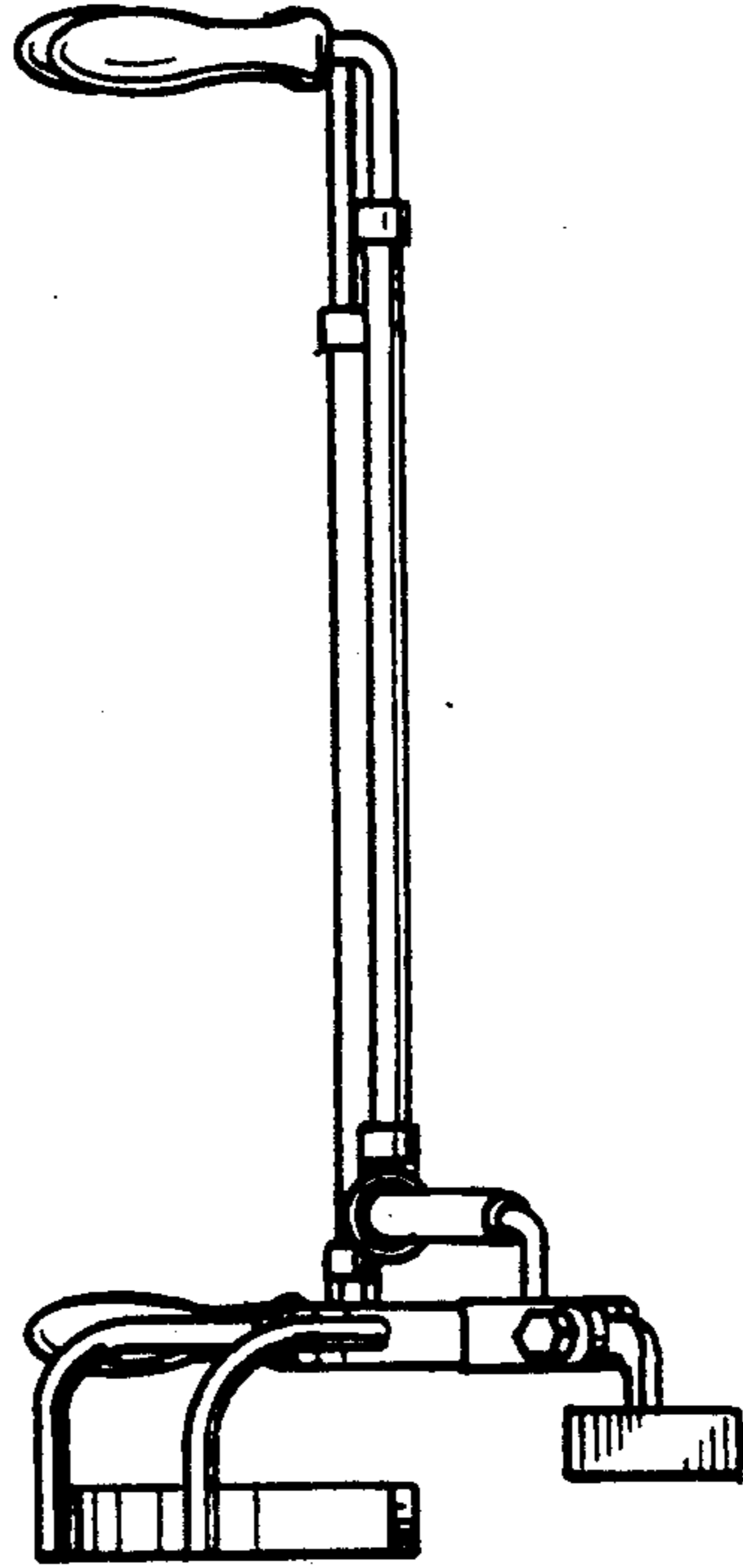


FIG. 6

