



US00D334317S

United States Patent [19]

[11] Patent Number: **Des. 334,317**

So

[45] Date of Patent: **** Mar. 30, 1993**

[54] **HOLDER FOR KITCHEN UTENSILS**

[75] Inventor: **Shun So, Kowloon, Hong Kong**

[73] Assignee: **Ki Mee Metal & Plastic Factory Limited, Hong Kong**

[**] Term: **14 Years**

[21] Appl. No.: **587,211**

[22] Filed: **Sep. 24, 1990**

[30] **Foreign Application Priority Data**

Apr. 2, 1990 [GB] United Kingdom 2005843

[52] U.S. Cl. **D6/567**

[58] Field of Search **D6/567, 534, 396, 449; D7/601, 637-638, 641; 206/207, 349, 486; 211/13, 60.1, 69.1, 69.5, 70.6, 70.7**

[56] **References Cited**

U.S. PATENT DOCUMENTS

D. 111,410 9/1938 Stanton D6/534
D. 196,989 11/1963 Page D7/641

D. 235,714 7/1975 Lesser, Jr. D6/528
D. 254,116 2/1980 Daenen D7/641
D. 268,531 4/1983 Leppard D6/534 X
D. 285,517 9/1986 Parlus D7/637
3,796,454 3/1974 Williamson et al. D7/637 X

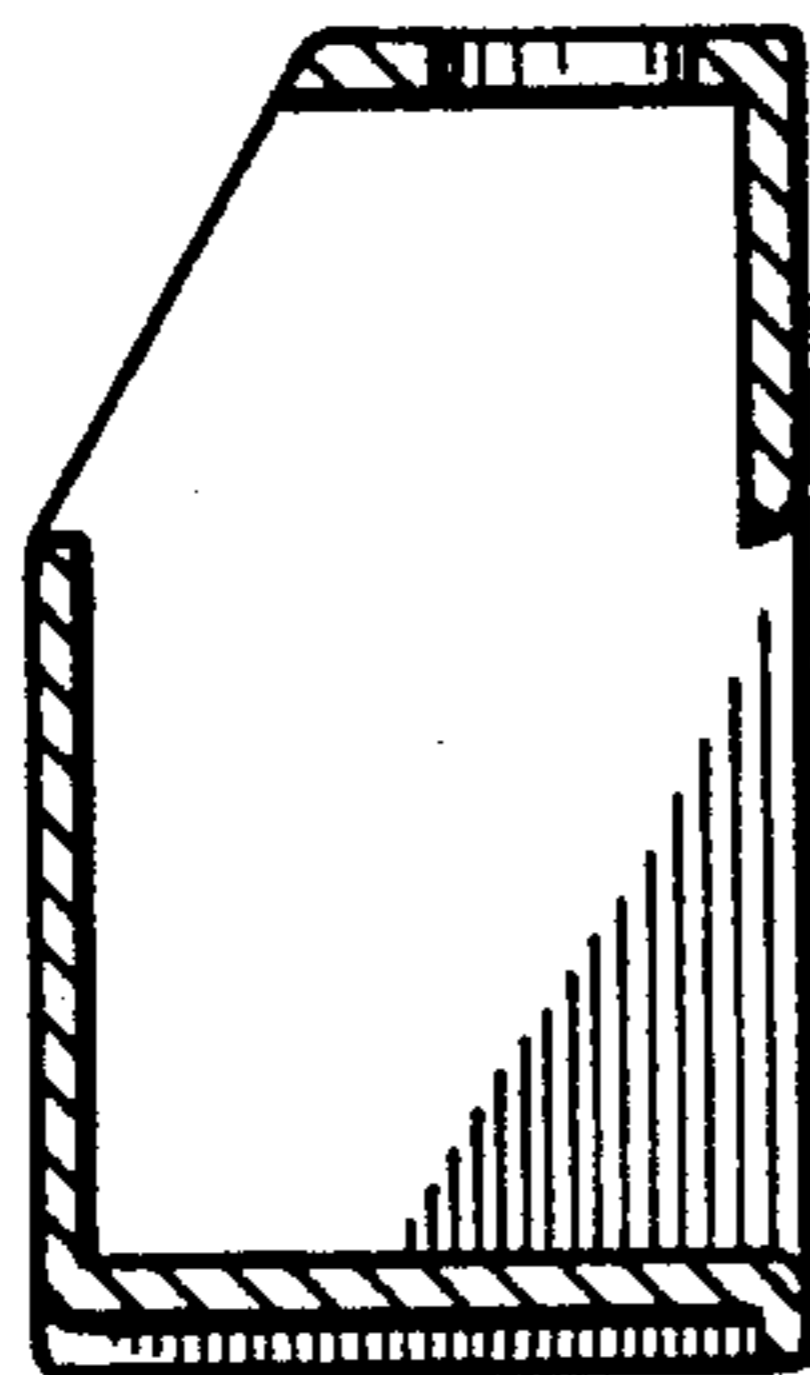
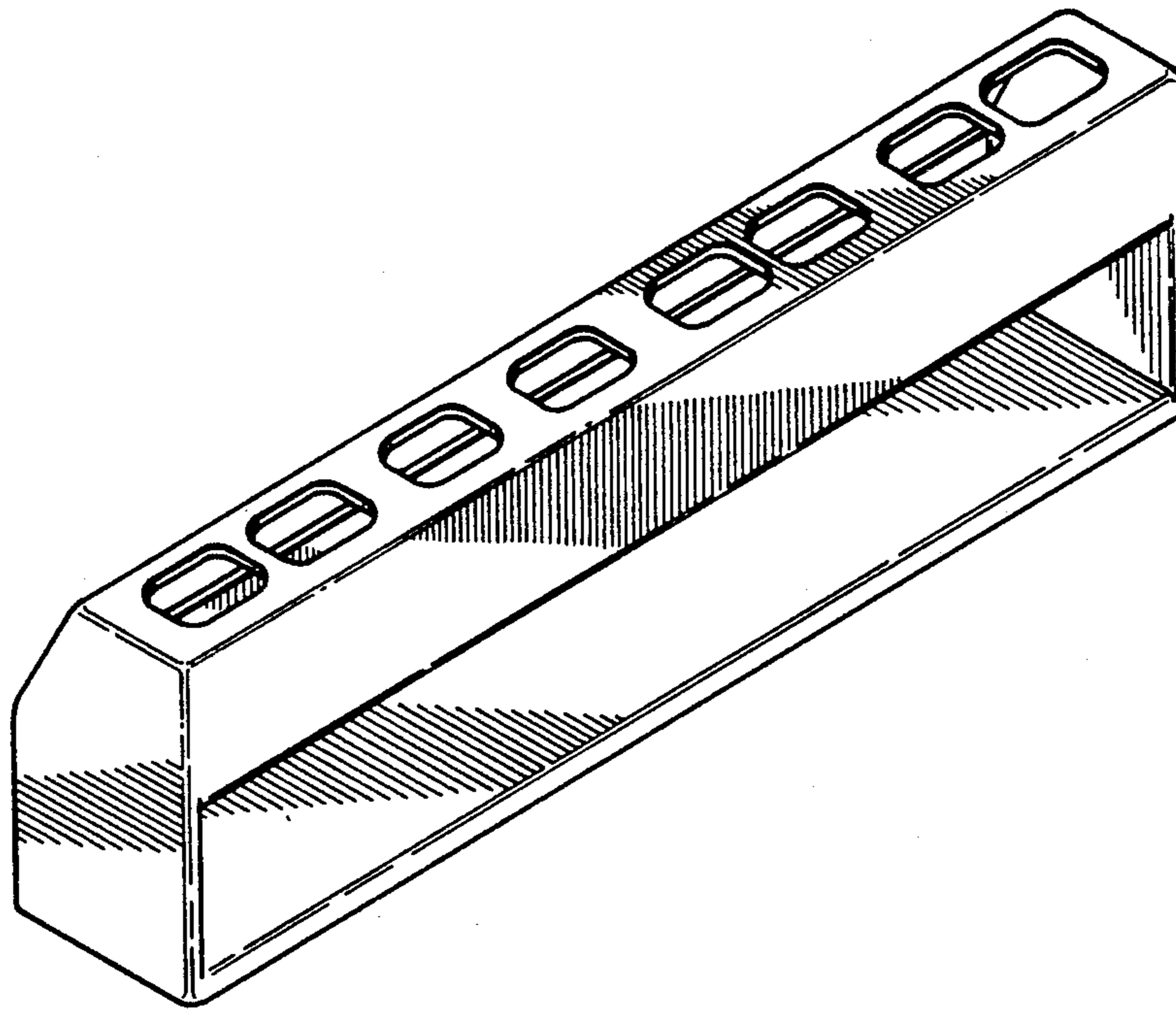
Primary Examiner—Brian N. Vinson
Attorney, Agent, or Firm—Wood, Herron & Evans

[57] **CLAIM**

The ornamental design for a holder for kitchen utensils, as shown.

DESCRIPTION

FIG. 1 is a perspective view from front, above and one end;
FIG. 2 is a view from other end;
FIG. 3 is a front view;
FIG. 4 is an underneath view;
FIG. 5 is a view from above;
FIG. 6 is a rear view; and,
FIG. 7 is a cross-section view taken along line 7—7 in FIG. 5.



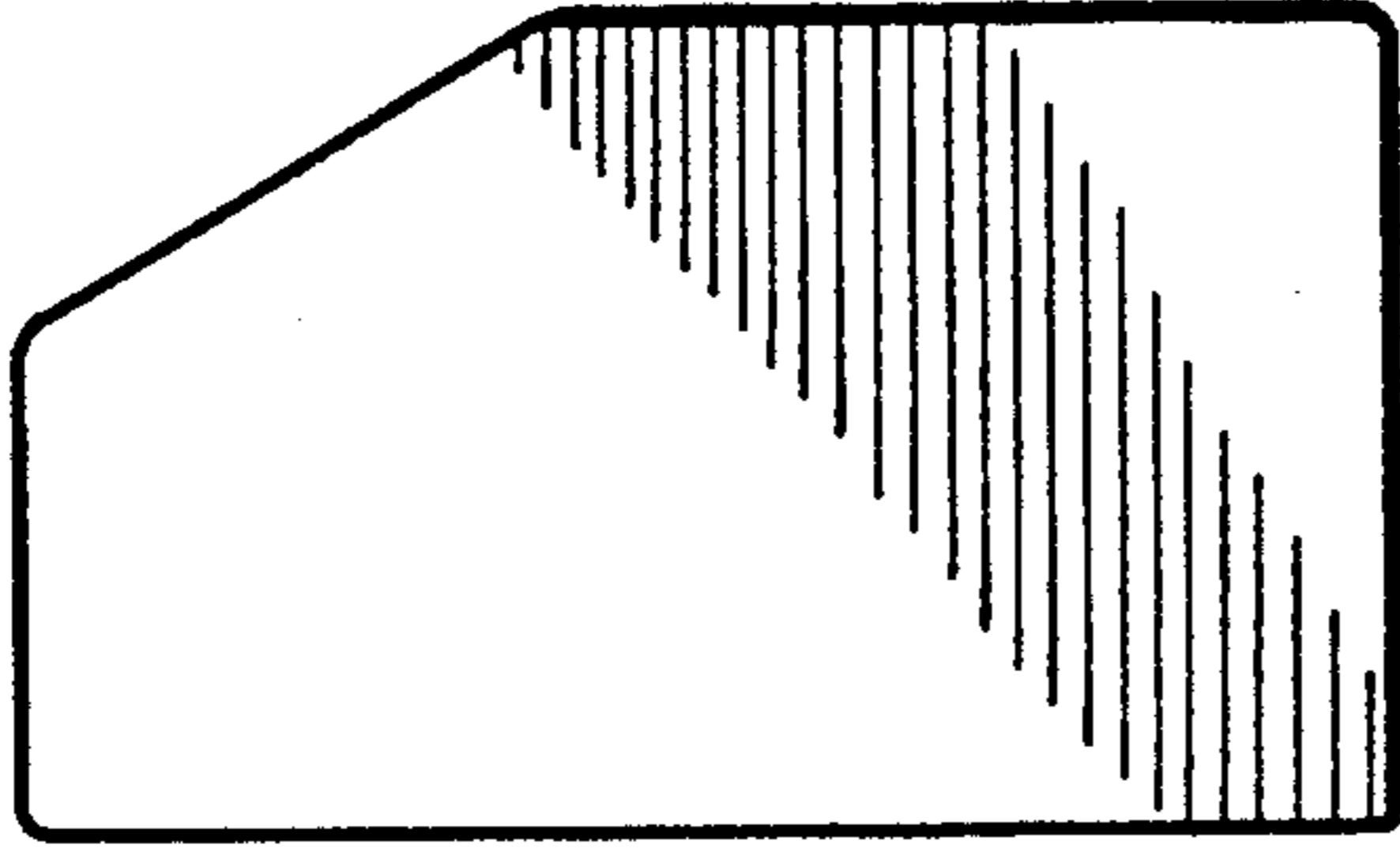


FIG. 2

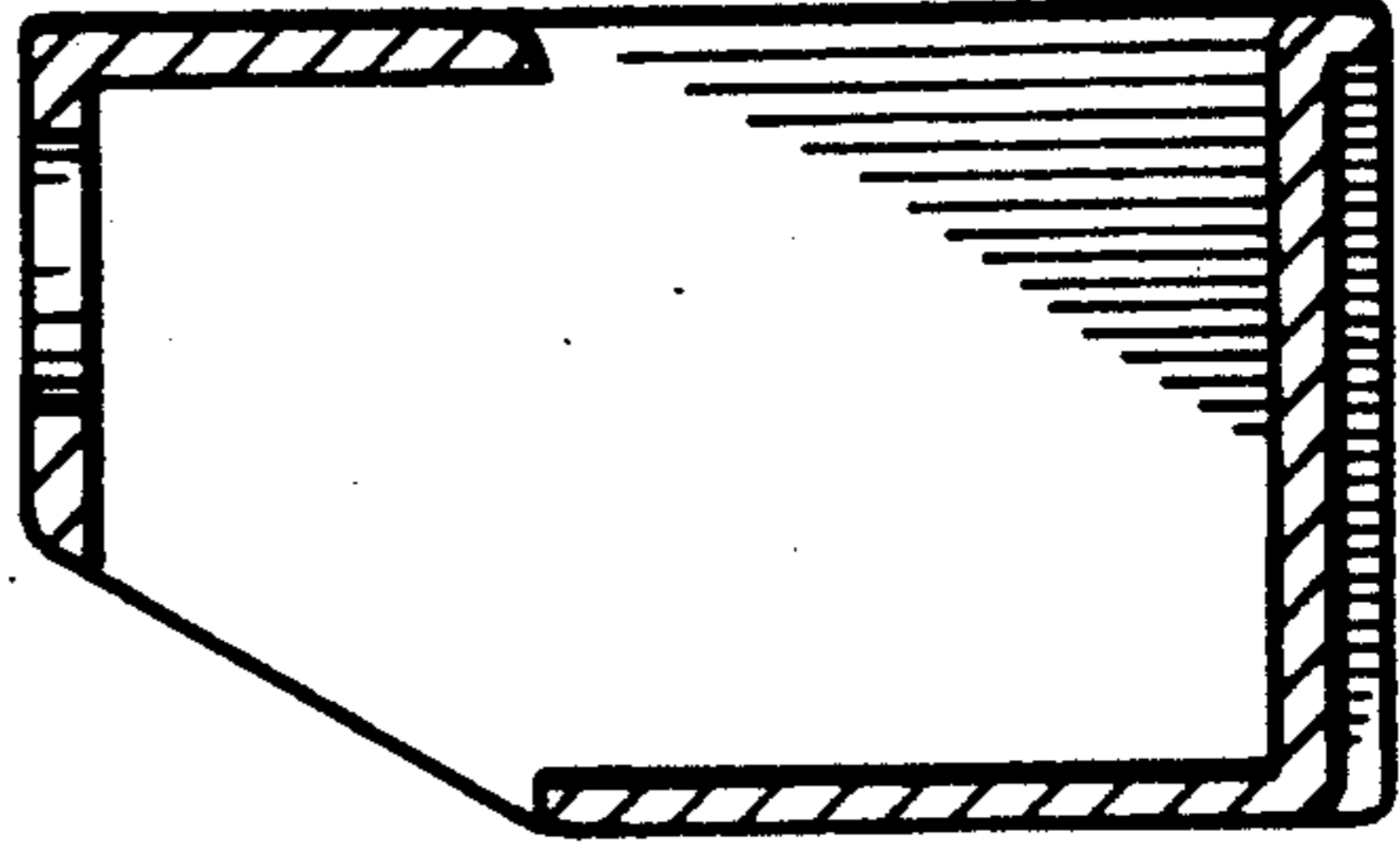


FIG. 7

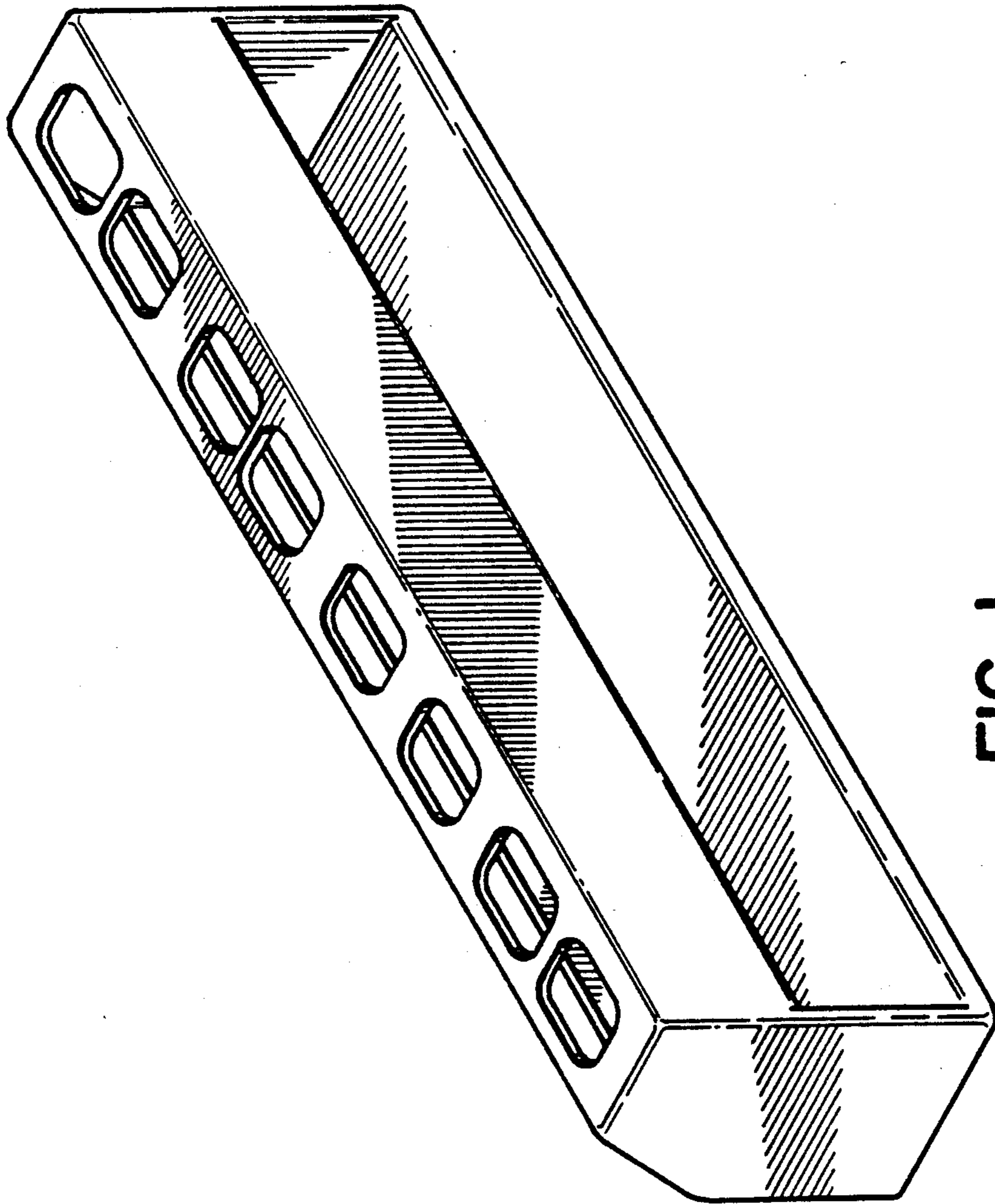


FIG. 1

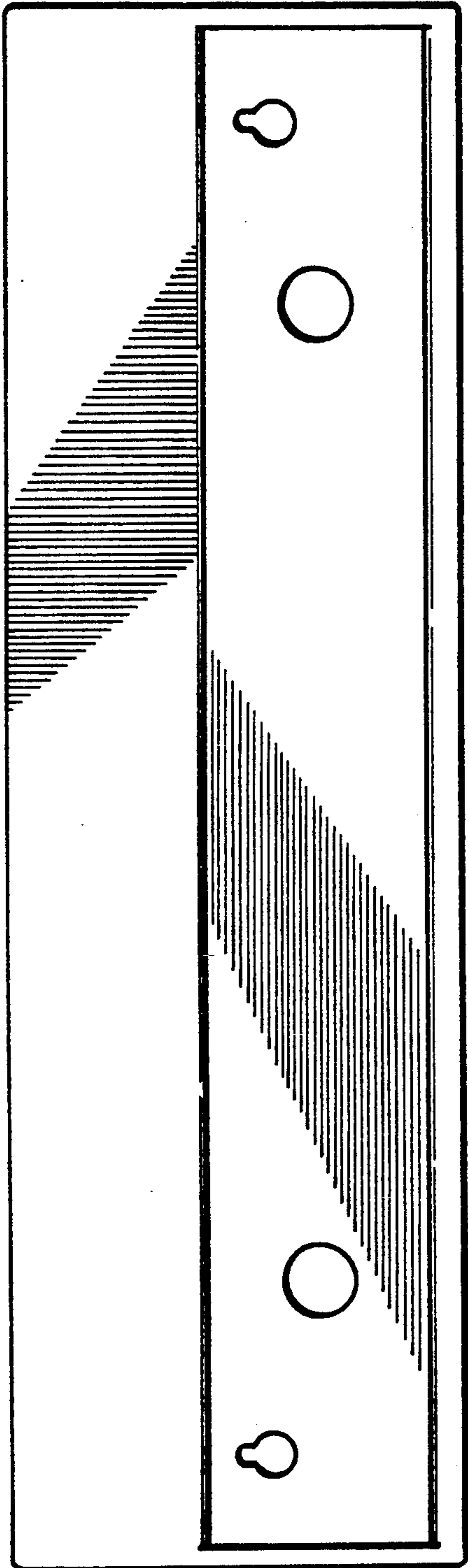


FIG. 3

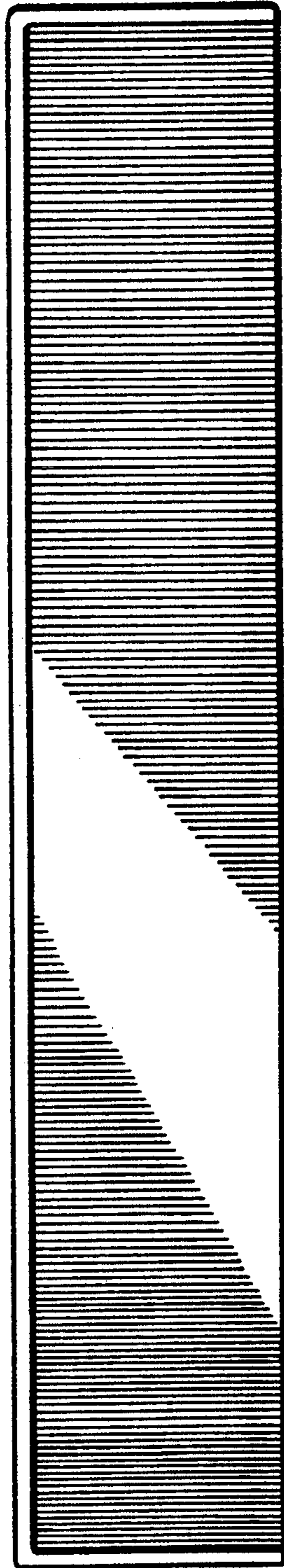
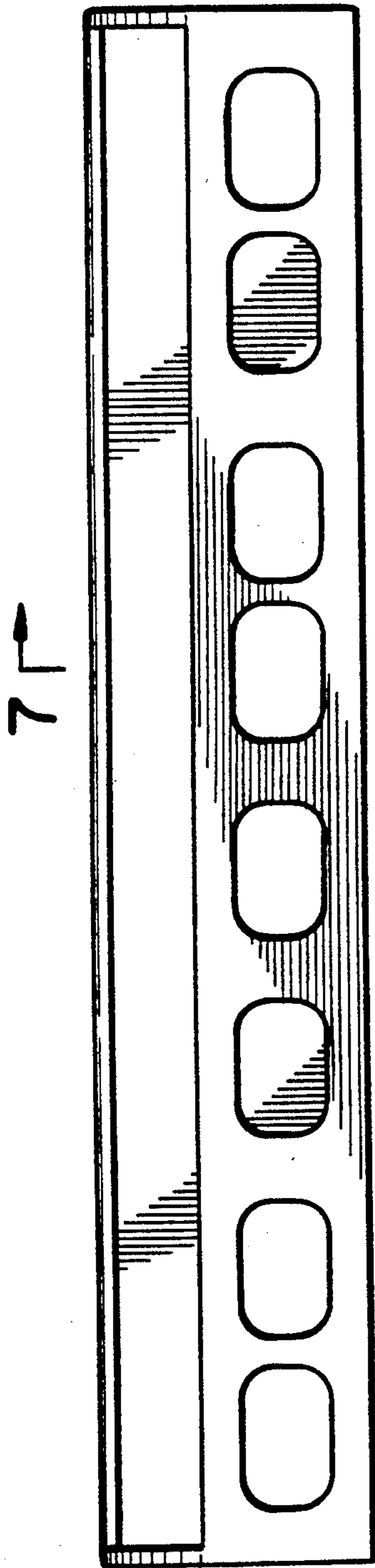


FIG. 4



7

FIG. 5

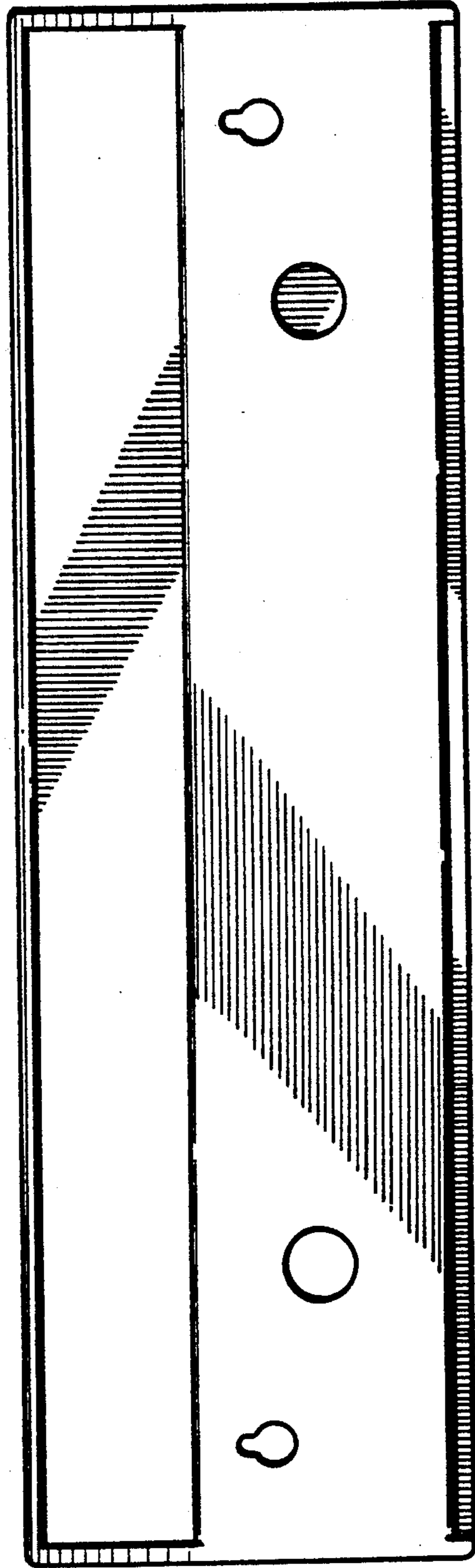


FIG. 6