



US00D334313S

United States Patent [19]
Grosfillex

[11] **Patent Number: Des. 334,313**
[45] **Date of Patent: ** Mar. 30, 1993**

[54] **TABLE**
[75] **Inventor: Raymond Grosfillex, Oyonnax, France**
[73] **Assignee: Grosfillex SARL, Oyonnax, France**
[**] **Term: 14 Years**
[21] **Appl. No.: 609,216**
[22] **Filed: Nov. 5, 1990**

[30] **Foreign Application Priority Data**
Jun. 21, 1990 [WO] World Int. Prop.
O. DMA/001260
[52] **U.S. Cl. D6/487; D6/429; D6/480**
[58] **Field of Search D6/480, 482-489, D6/495-499, 511, 429, 430; 108/137**

[56] **References Cited**
U.S. PATENT DOCUMENTS
D. 237,335 10/1975 Ginal D6/430
D. 280,164 8/1985 Berry, Jr. D6/484 X
D. 284,919 8/1986 Garcia et al. D6/480 X
D. 299,196 1/1989 Frinler D6/499

OTHER PUBLICATIONS
D.I.A. Catalog, p. 17, #1045-2 at top left.

Thomasville-Four Corners 1989 Catalog, p. 31 Oval Coctail Table at top left.

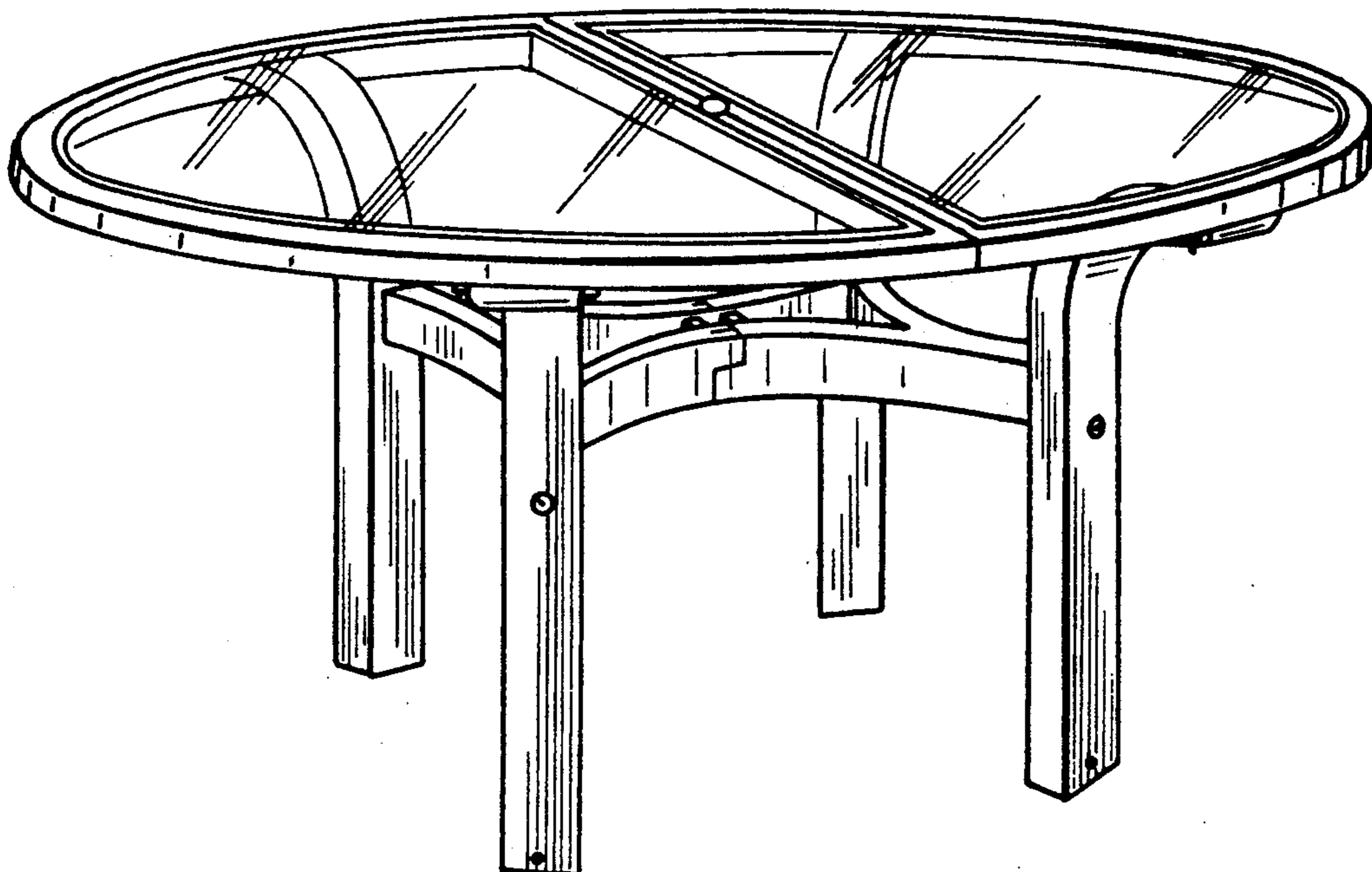
Primary Examiner—Nelson C. Holtje
Assistant Examiner—J. E. Seeger
Attorney, Agent, or Firm—Dowell & Dowell

[57] **CLAIM**

The ornamental design for a table, as shown and described.

DESCRIPTION

FIG. 1 is a perspective view of a table, showing my new design;
FIG. 2 is a side perspective view thereof;
FIG. 3 is an end perspective view thereof;
FIG. 4 is a top plan view thereof;
FIG. 5 is a bottom plan view thereof;
FIG. 6 is a perspective view of a table, showing a second embodiment of my new design;
FIG. 7 is a side perspective view thereof;
FIG. 8 is an end perspective view thereof;
FIG. 9 is a top plan view thereof;
FIG. 10 is a bottom plan view thereof;
FIG. 11 is a perspective view of a table, showing a third embodiment of my new design;
FIG. 12 is a side perspective view thereof;
FIG. 13 is an end perspective view thereof;
FIG. 14 is a top plan view thereof; and,
FIG. 15 is a bottom plan view thereof.



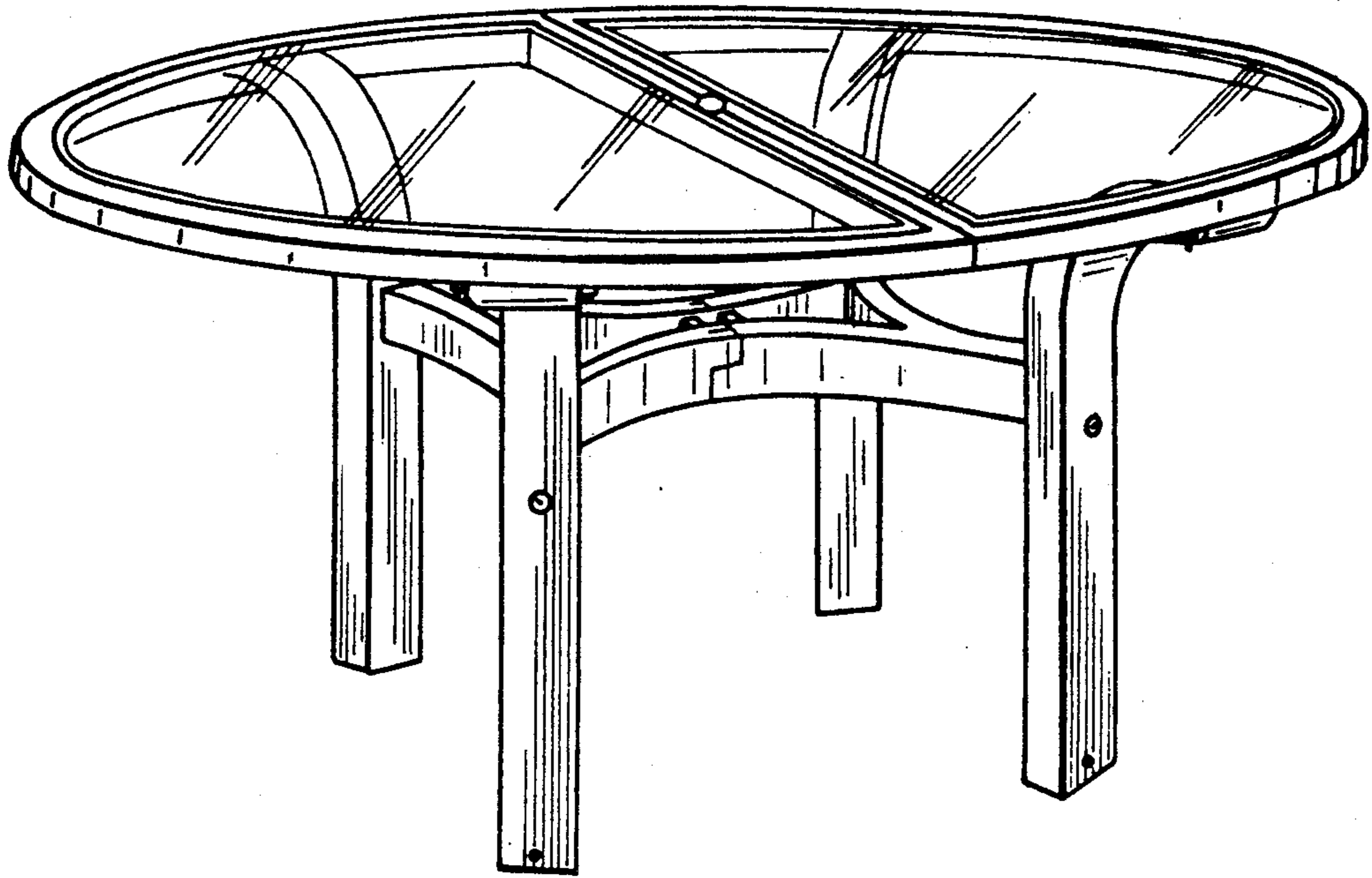


FIG. 1

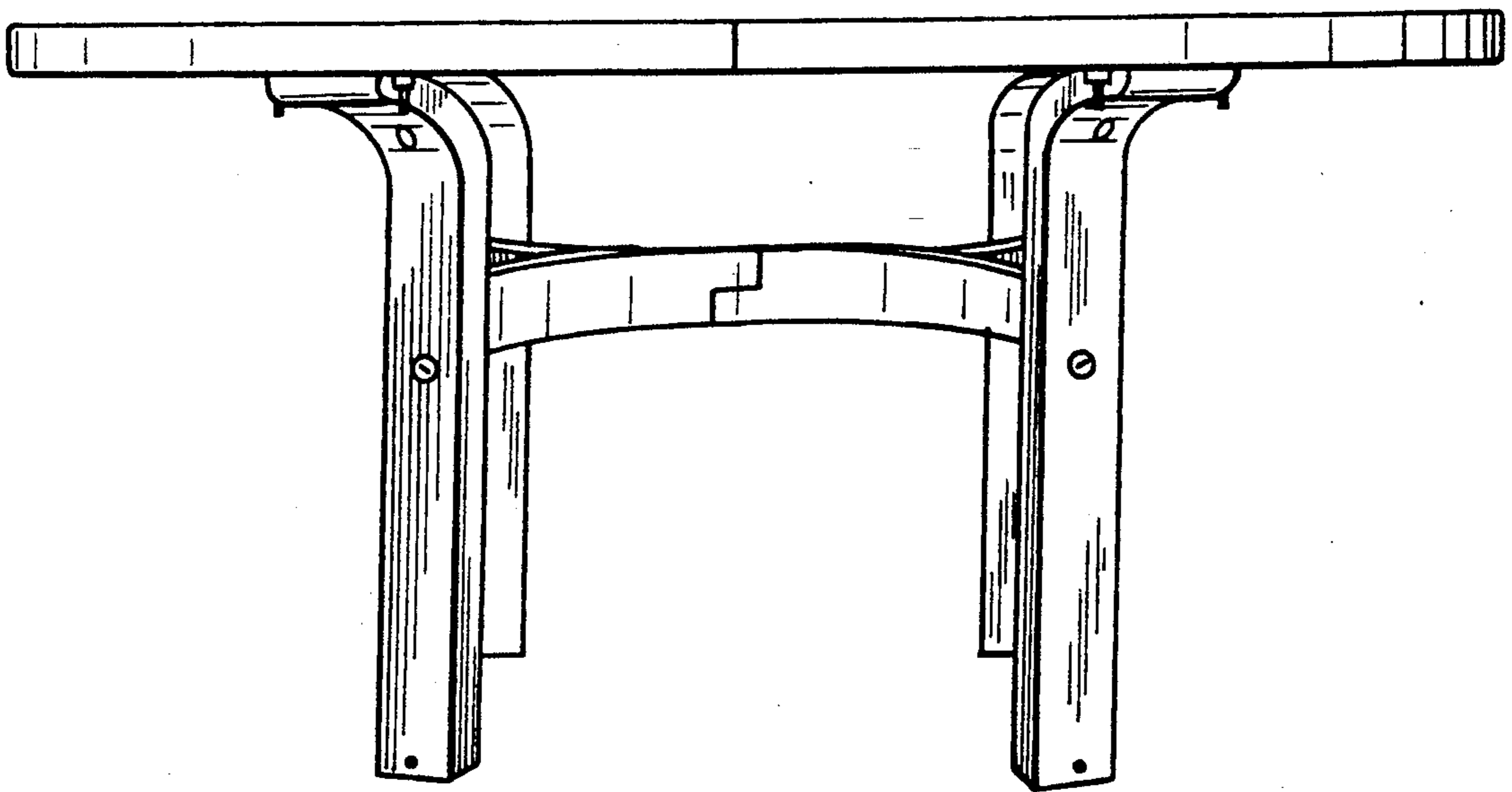


FIG. 2

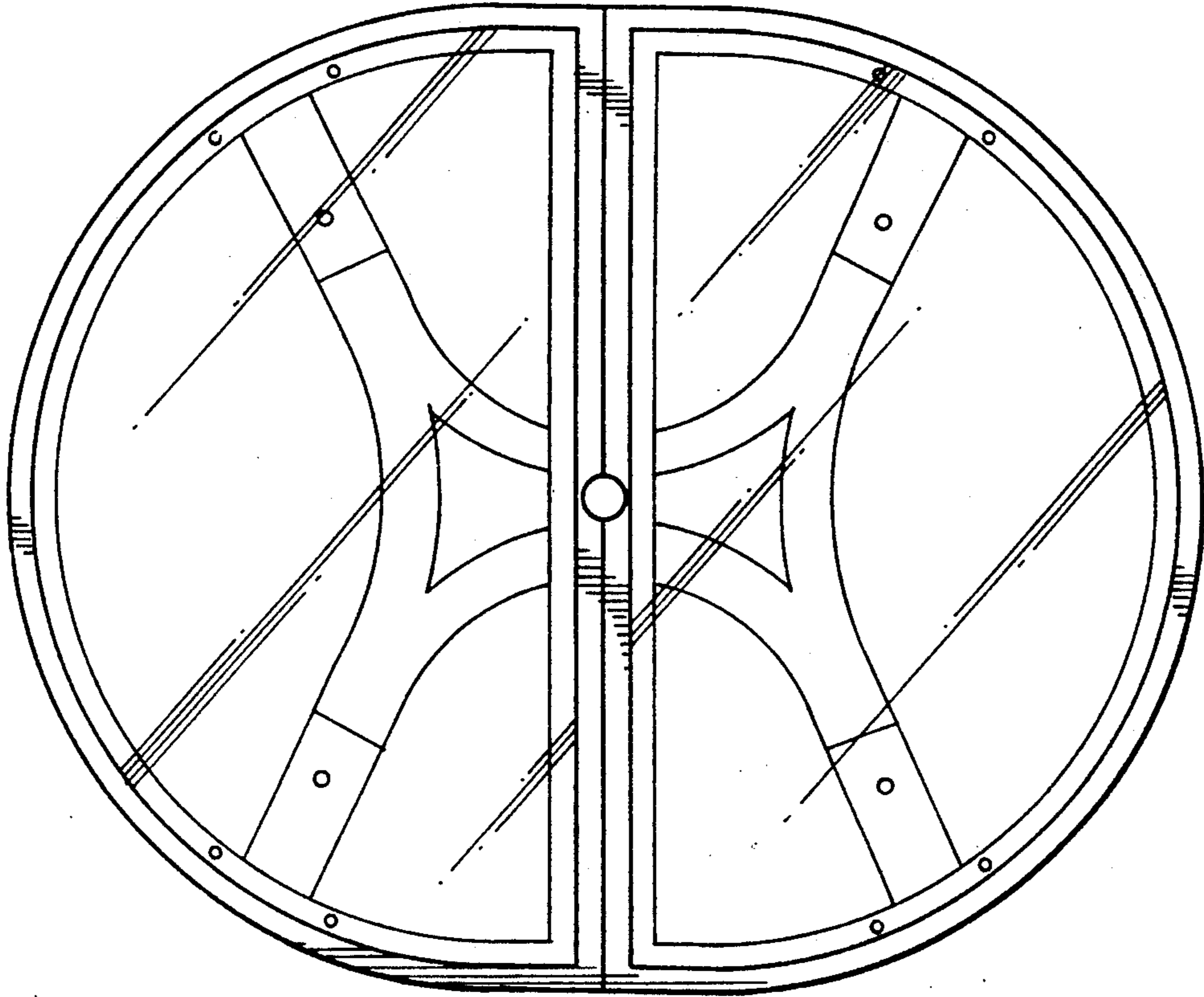


FIG. 4

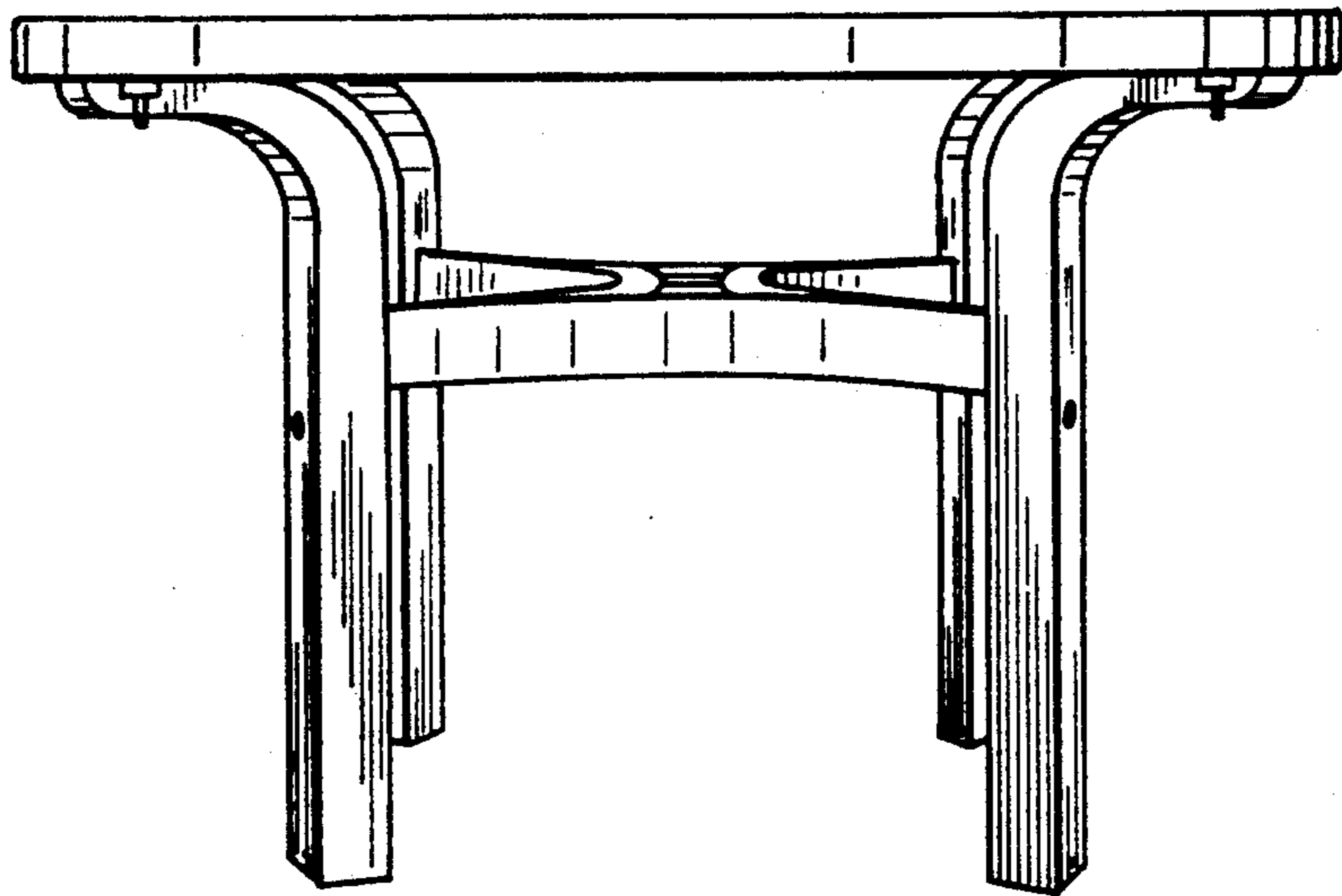


FIG. 3

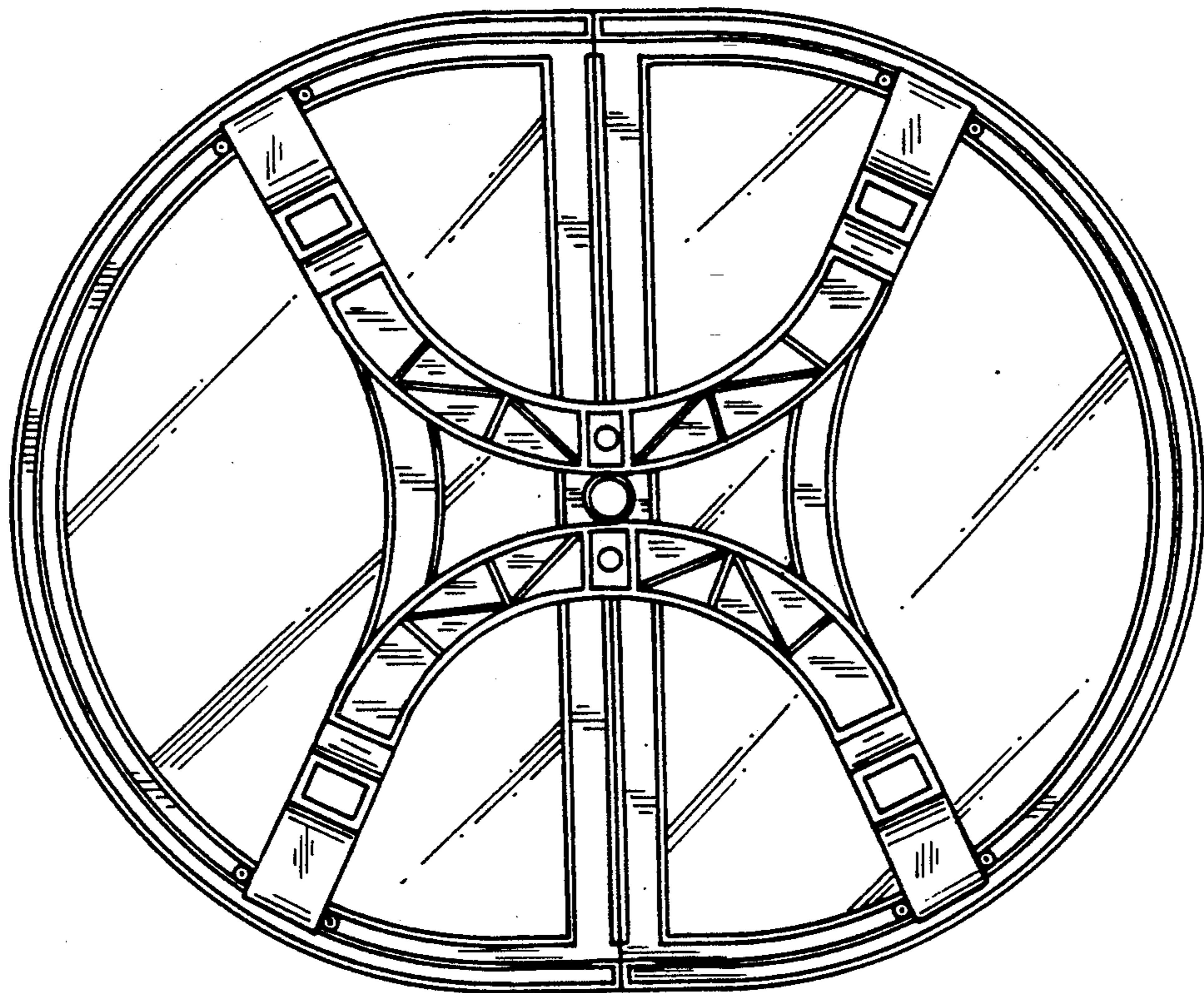


FIG. 5

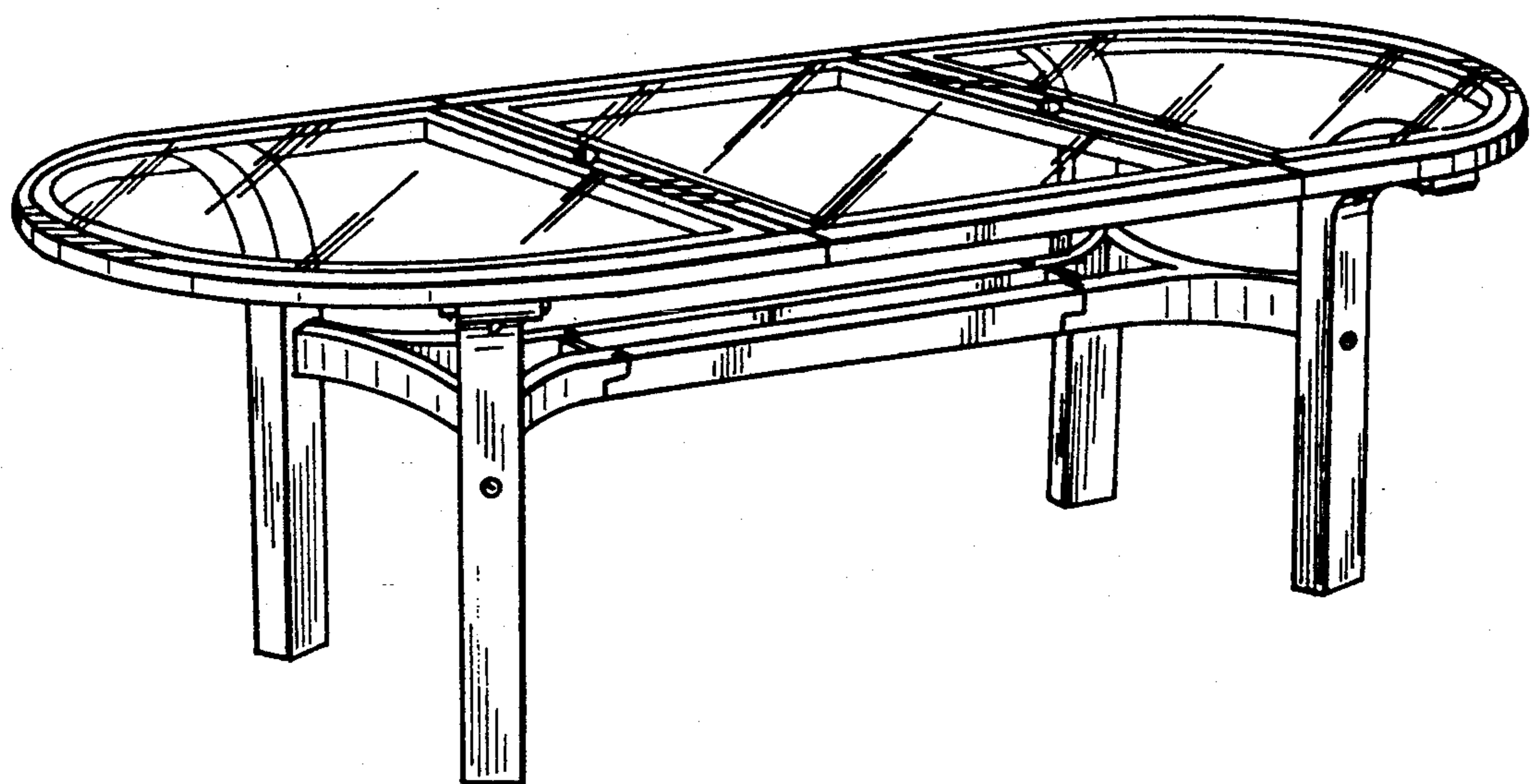


FIG. 6

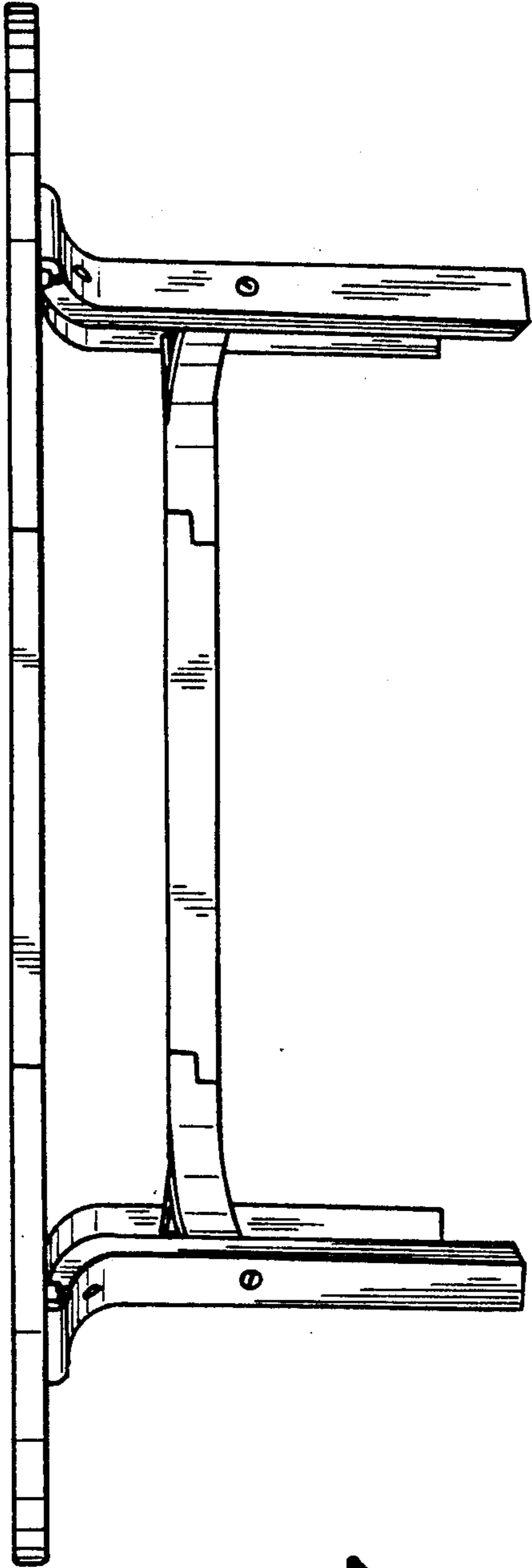


FIG. 7

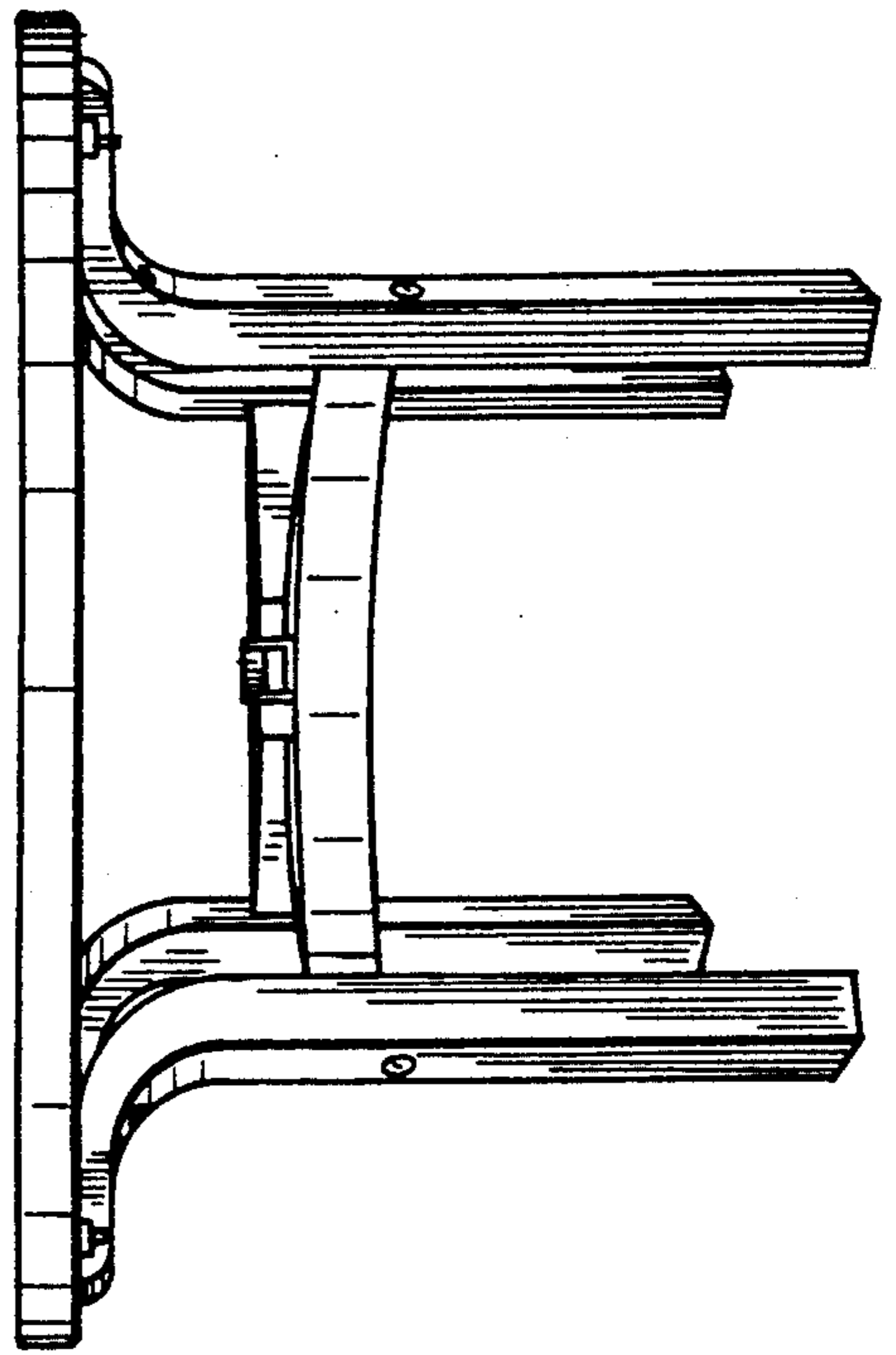


FIG. 8

FIG. 9

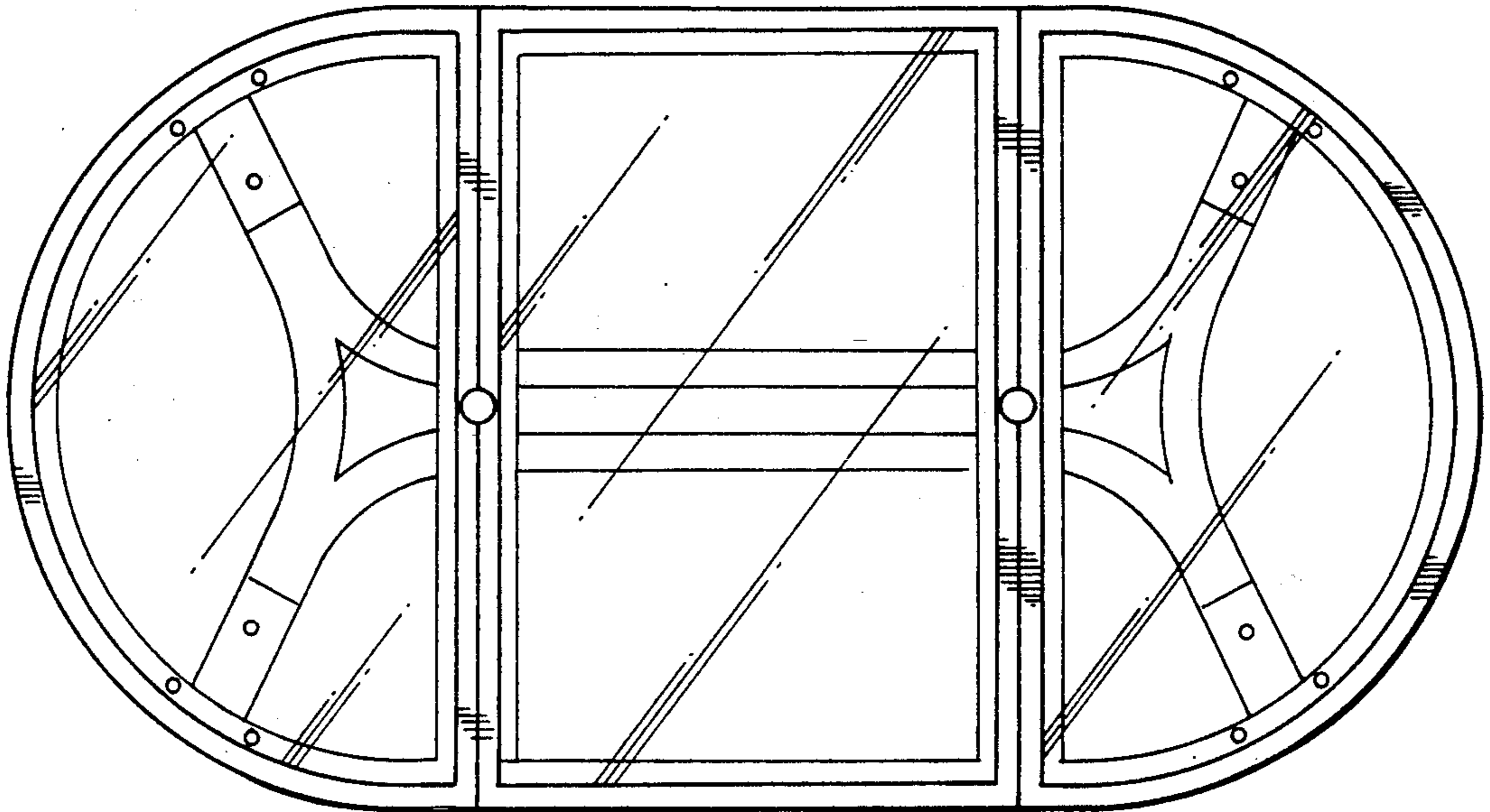
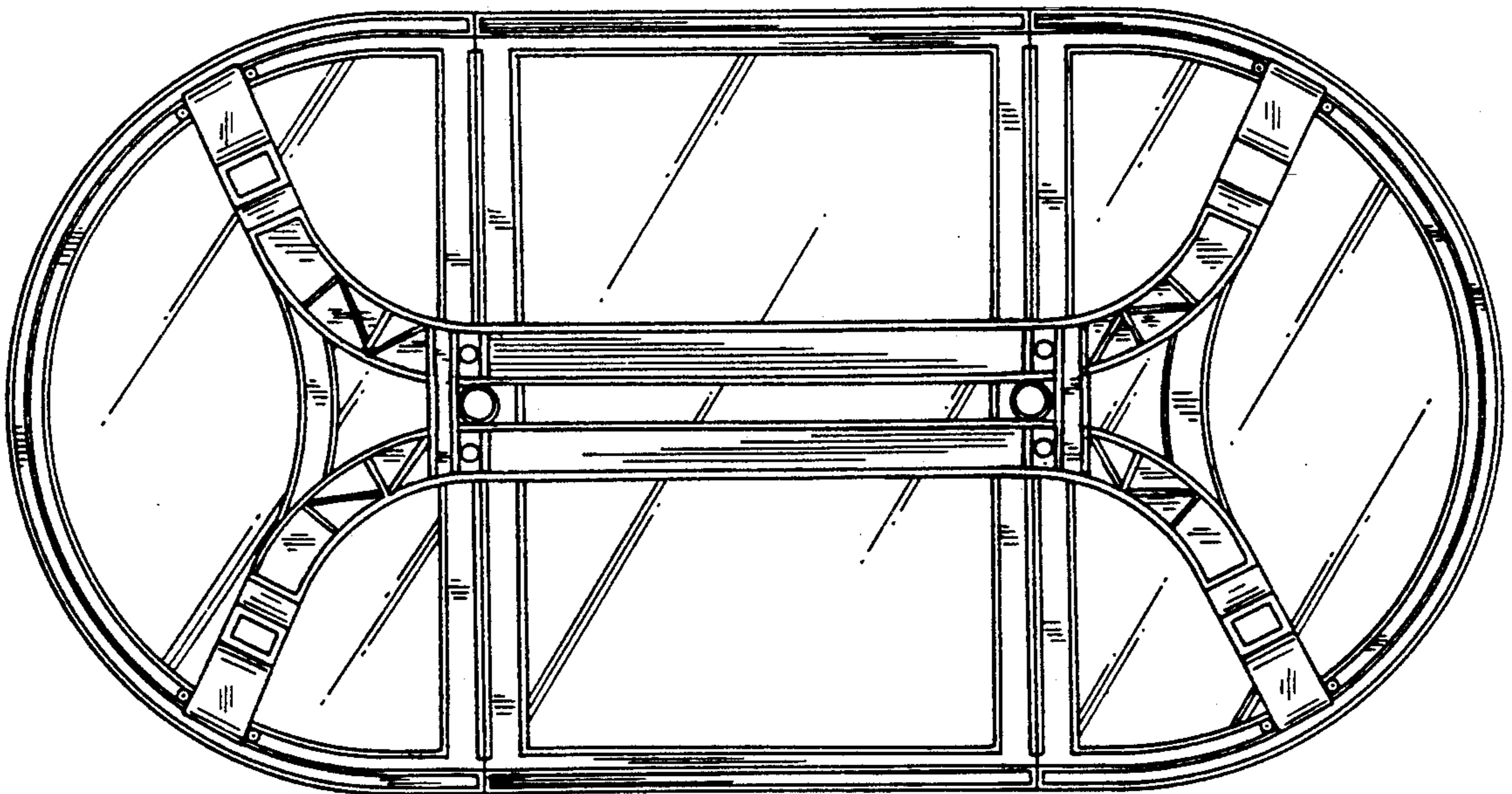


FIG. 10



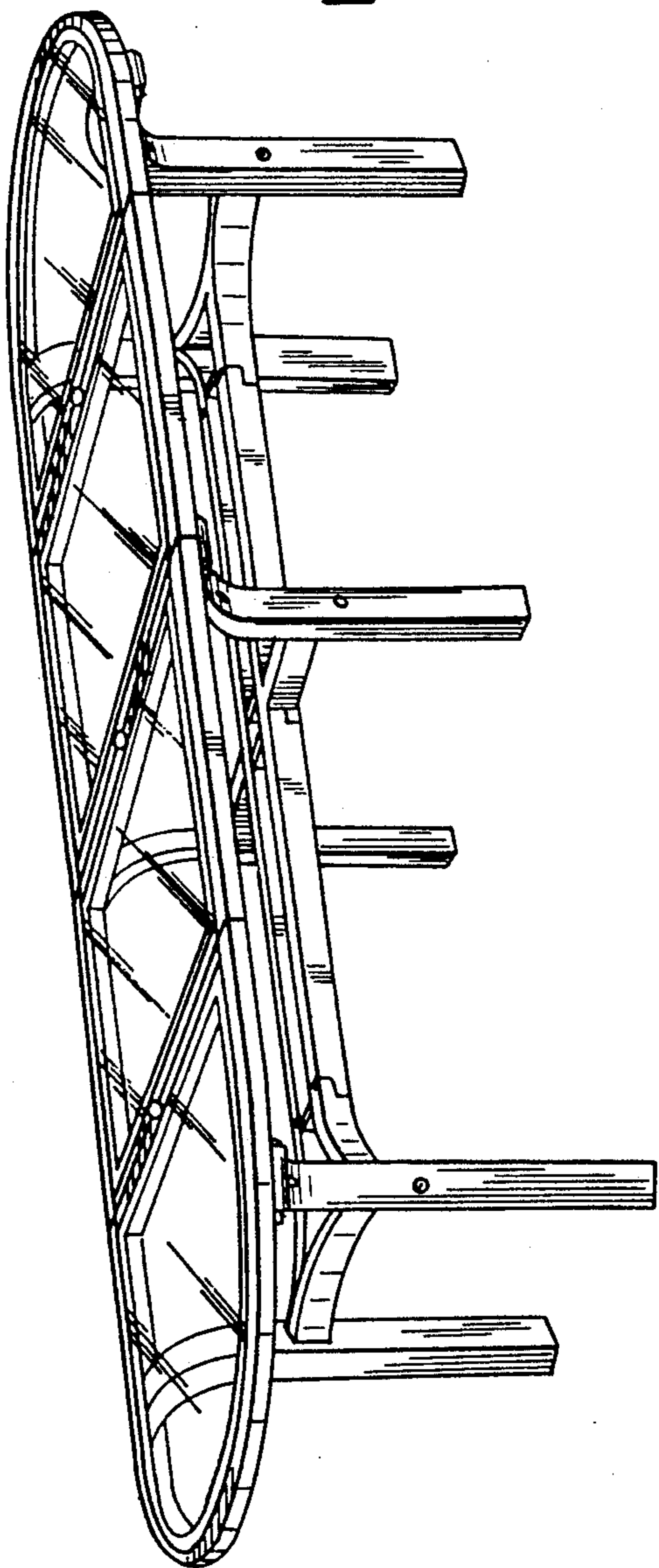


FIG. 11

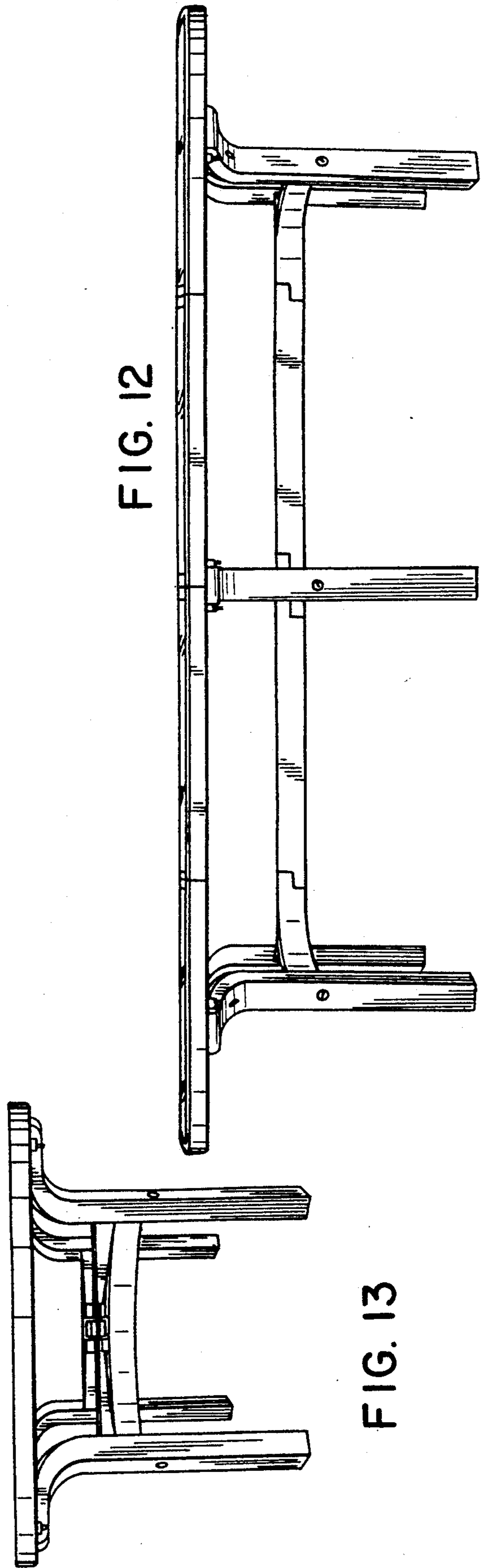


FIG. 12

FIG. 13

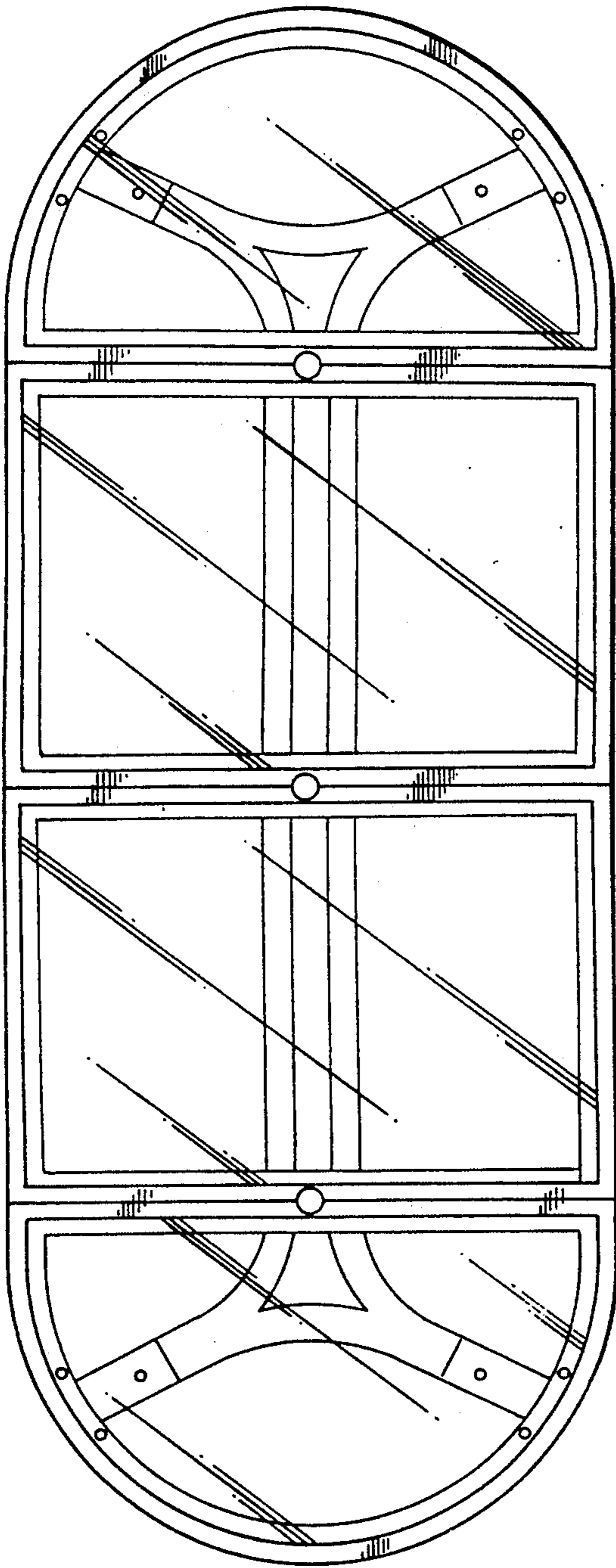


FIG. 14

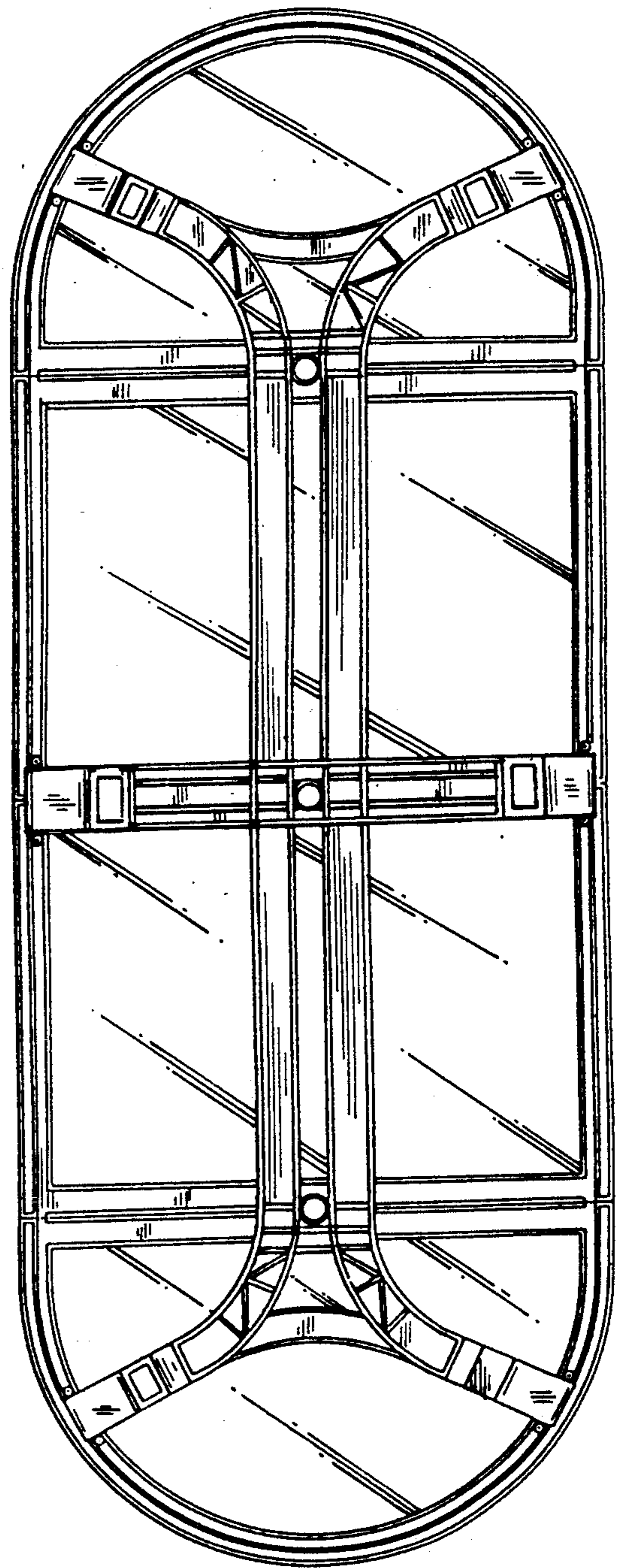


FIG. 15