



US00D334308S

United States Patent [19]

Verina

[11] Patent Number: **Des. 334,308**

[45] Date of Patent: **** Mar. 30, 1993**

[54] **PORTABLE MULTI-SHELVED SHOWCASE**

[76] Inventor: **Ernest A. Verina, P.O. Box 2090, Westport, Conn. 06880**

[**] Term: **14 Years**

[21] Appl. No.: **586,714**

[22] Filed: **Sep. 24, 1990**

[52] U.S. Cl. **D6/470; D3/74**

[58] Field of Search **D6/396, 397, 449, 470, D6/471, 472, 466, 467, 475, 476, 429-431; D3/30.1, 74, 75; 312/330.1; 206/45, 45.11, 45.15, 45.31**

D. 308,609	6/1990	Handler et al.	D6/470 X
D. 309,527	7/1990	Singer	D3/30.1 X
D.322,725	12/1991	Strickland, III	D6/470 X
3,207,297	9/1965	Zimmerman	D3/30.1 X

Primary Examiner—Alan P. Douglas
Assistant Examiner—Jeffrey Asch
Attorney, Agent, or Firm—Norman B. Rainer

[57] **CLAIM**

The ornamental design for a portable multi-shelved showcase, as shown and described.

DESCRIPTION

FIG. 1 is a top, front, and right side perspective view of a portable multi-shelved showcase showing my new design;

FIG. 2 is a top plan view thereof with one of the shelves moved to the front;

FIG. 3 is a bottom plan view thereof;

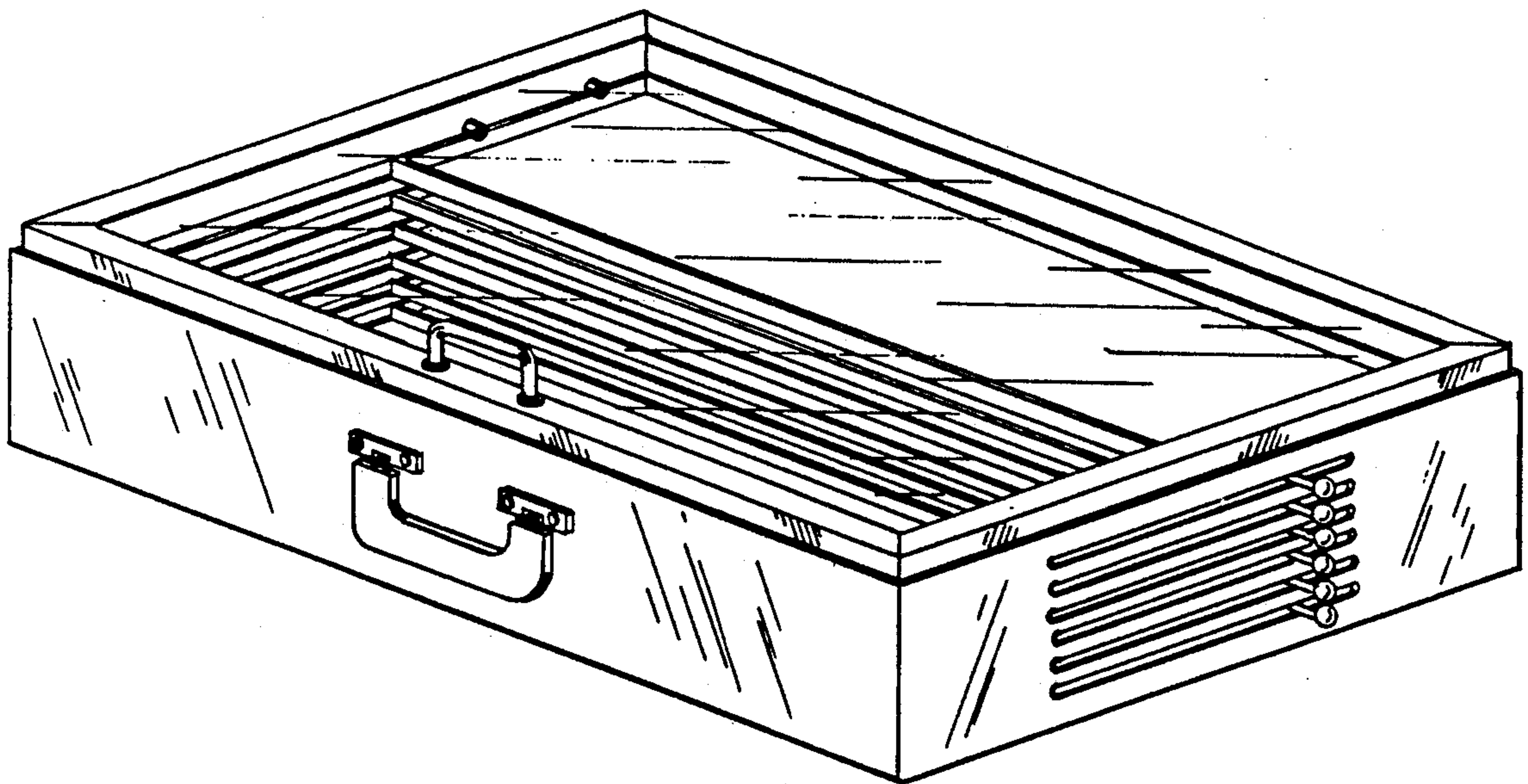
FIG. 4 is a left side elevational view thereof; and,

FIG. 5 is a top, front, and right side perspective view thereof in an alternate condition for use.

[56] **References Cited**

U.S. PATENT DOCUMENTS

D. 46,436	9/1914	Karpeles	D6/467 X
D. 133,435	8/1942	Gunder	D6/470
D. 249,214	9/1978	Rothman	D6/473 X
D. 267,463	1/1983	Thompson	D6/397 X
D. 271,027	10/1983	Tripp	D3/30.1 X
D. 274,489	7/1984	DeVries et al.	D6/476



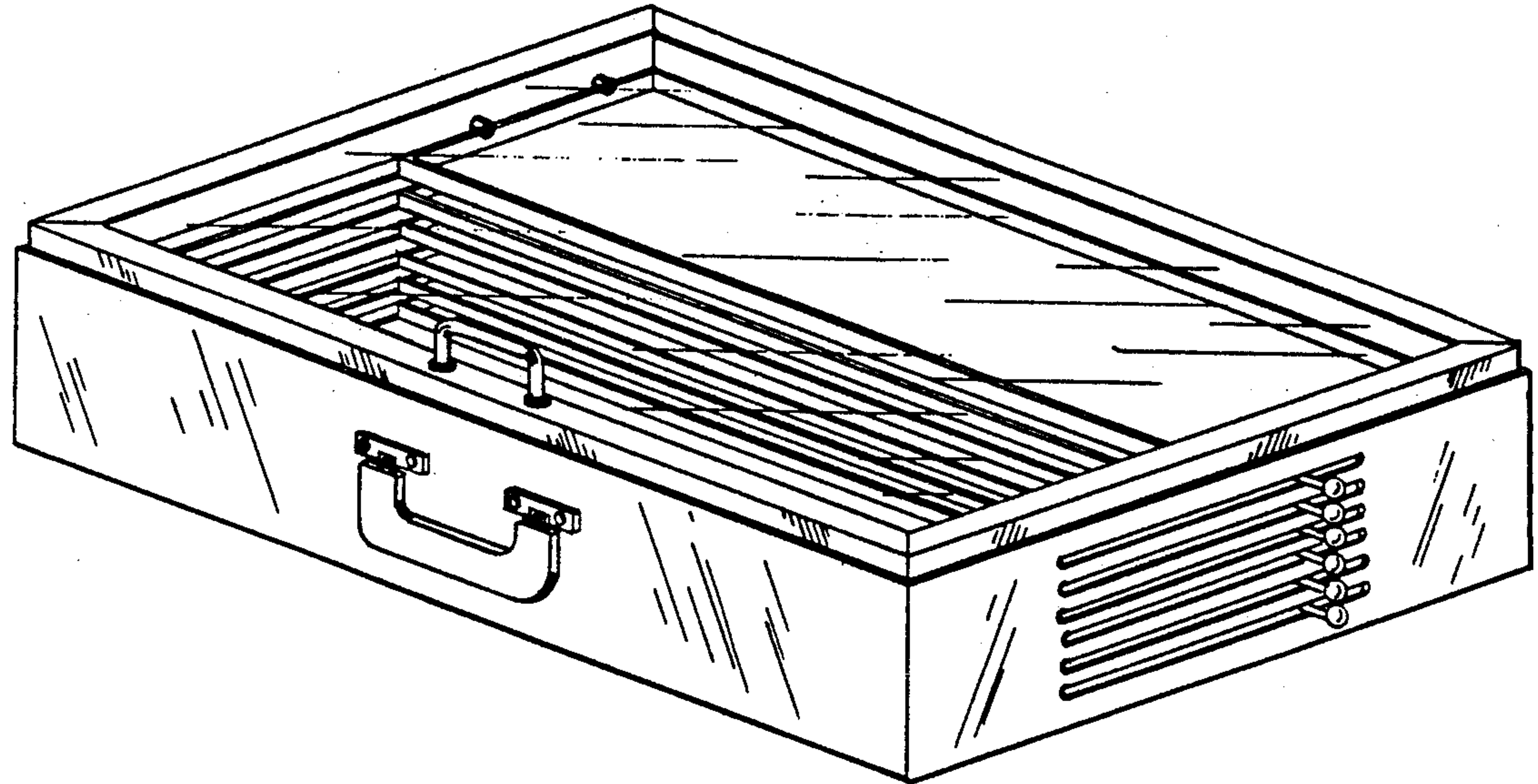


FIG. 1

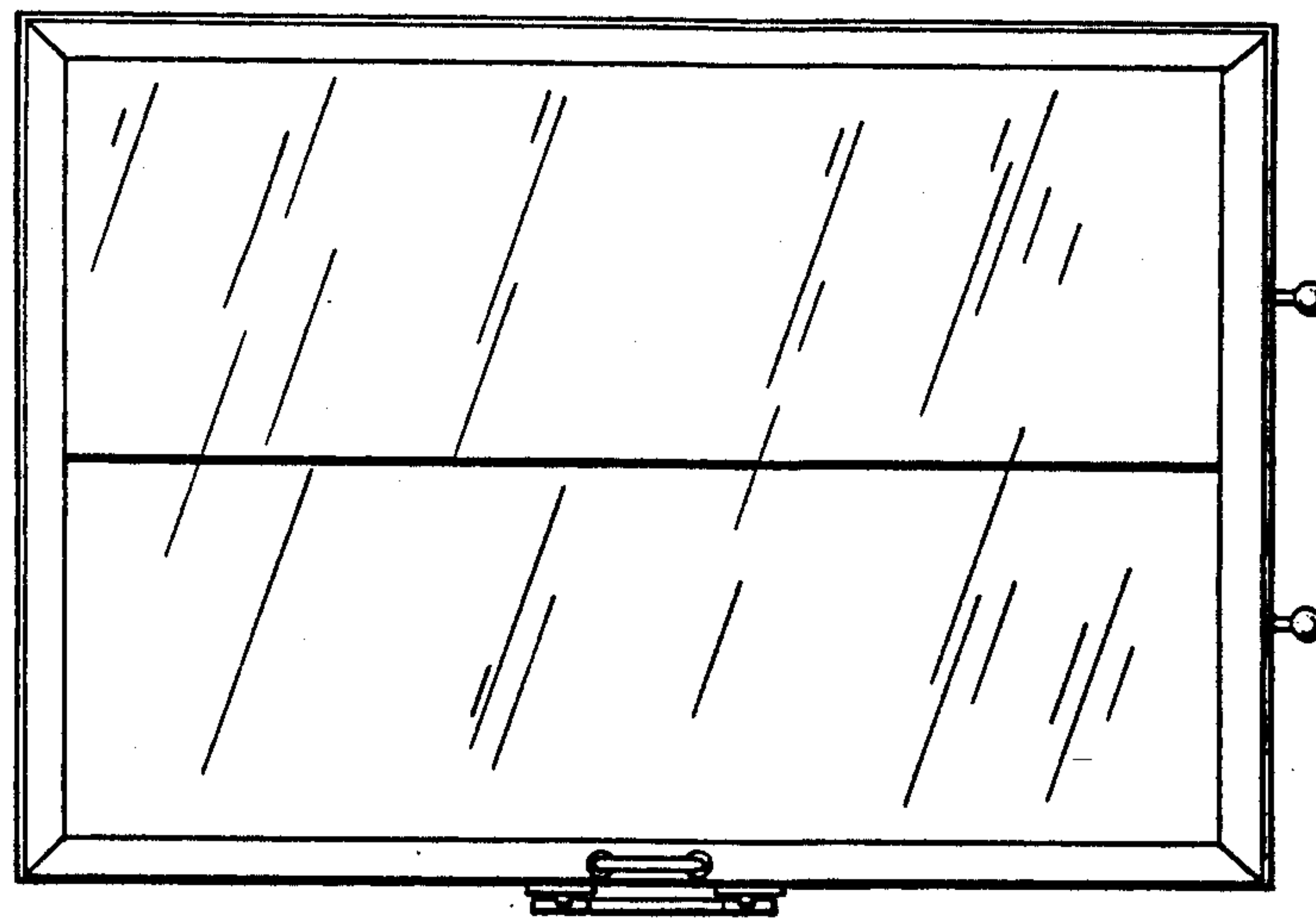


FIG. 2

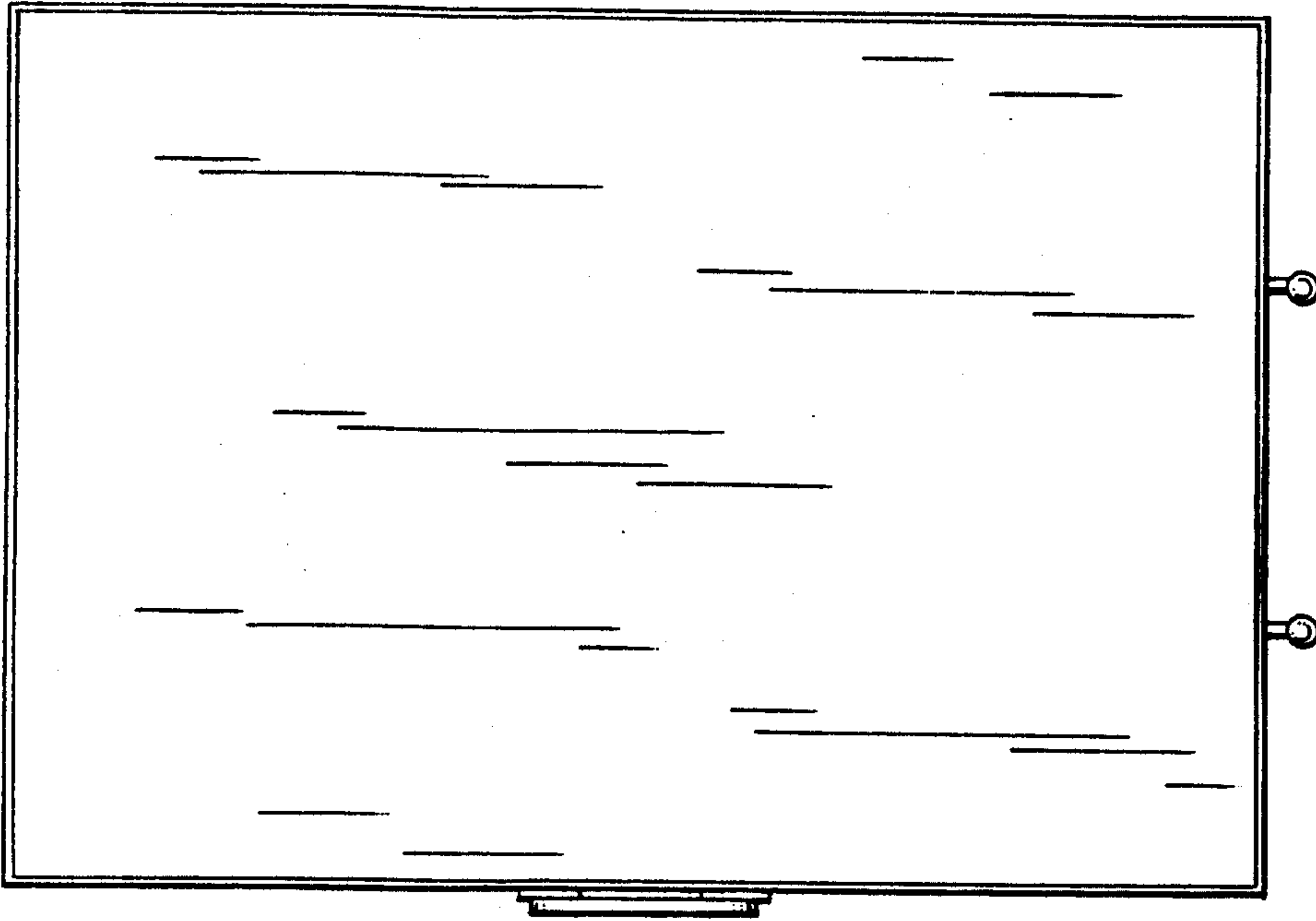


FIG. 3

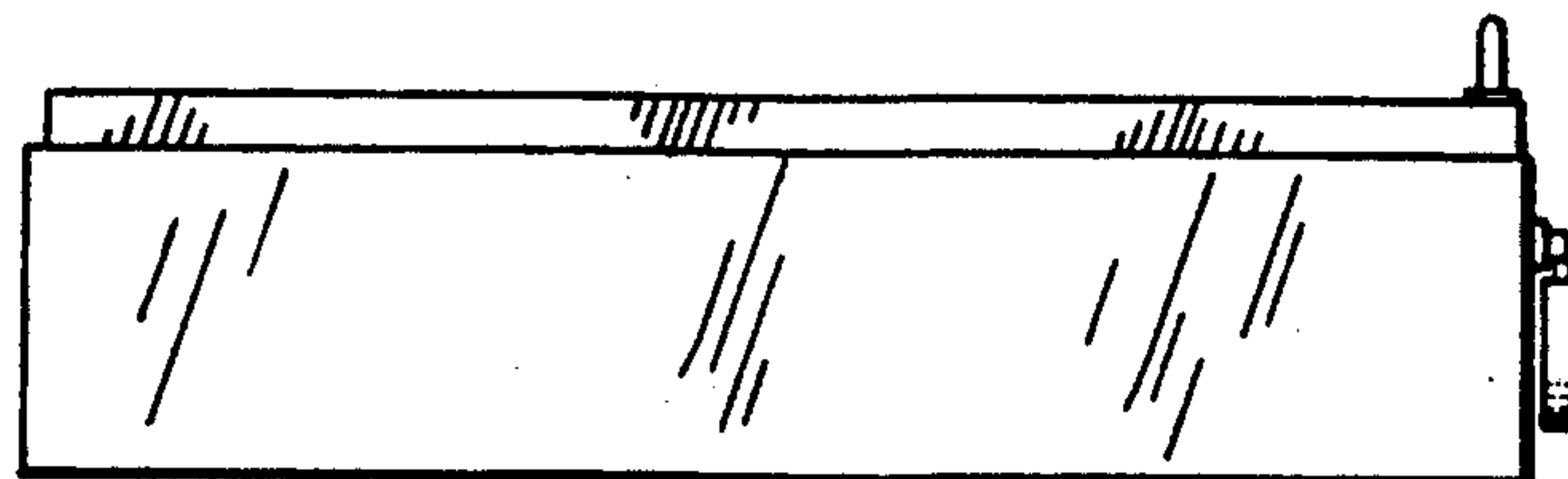


FIG. 4

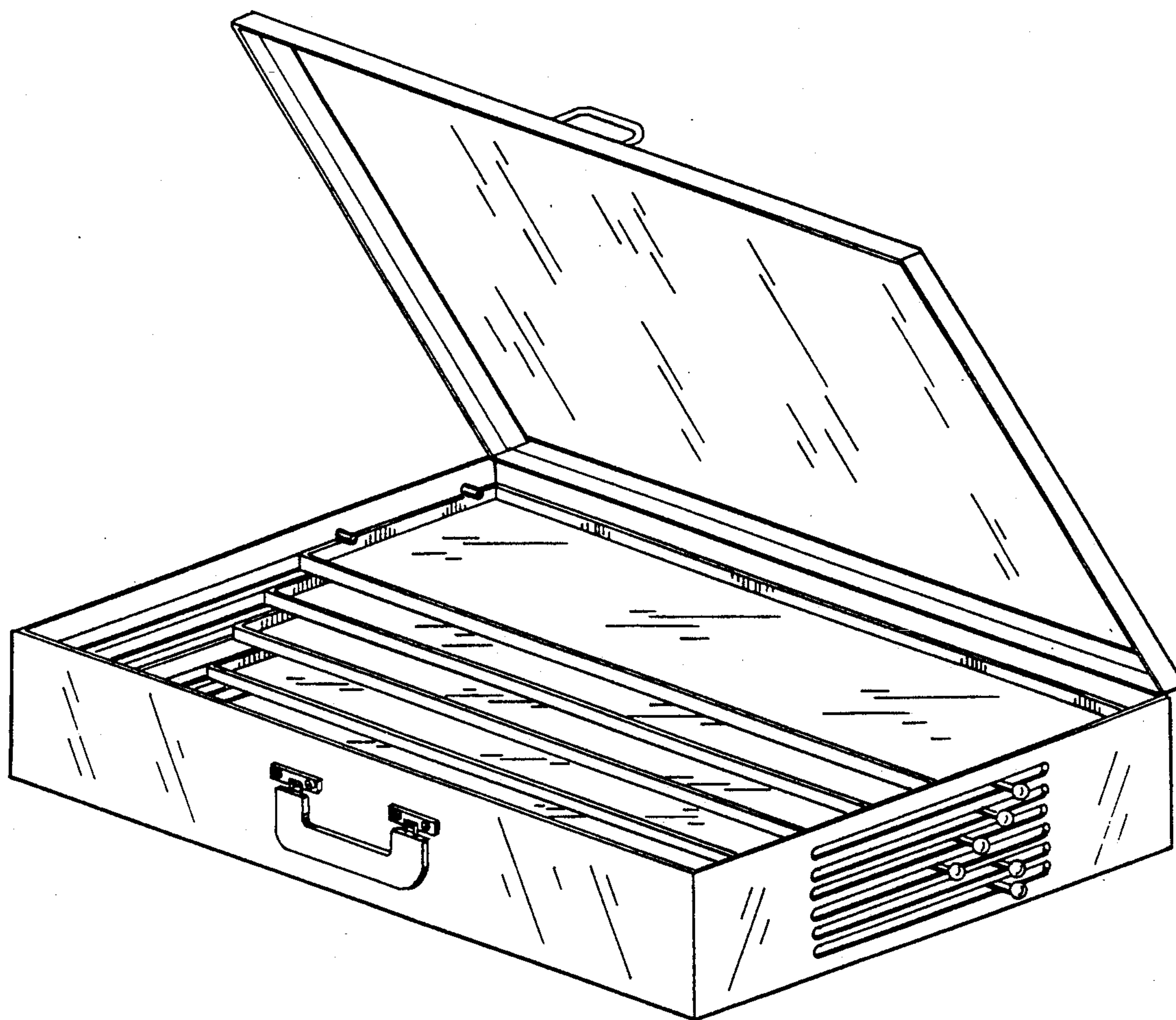


FIG. 5