



US00D334304S

United States Patent [19] Gilman

[11] Patent Number: **Des. 334,304**

[45] Date of Patent: **** Mar. 30, 1993**

[54] **TELEVISION STAND**

[76] Inventor: **Michael G. Gilman**, 7175 Scenic Creek Pl., Fairfax, Va. 22039

[**] Term: **14 Years**

[21] Appl. No.: **634,320**

[22] Filed: **Dec. 27, 1990**

[52] U.S. Cl. **D6/449; D6/484; D7/501**

[58] Field of Search **D6/396, 449, 455, 457-461, D6/484; D7/501; D15/140, 141, 199; D8/71**

[56] **References Cited**

U.S. PATENT DOCUMENTS

D. 233,971	12/1974	Hodges et al.	D6/420
D. 267,513	1/1983	Weigel et al.	D7/501 X
D. 282,043	1/1986	Morin	D6/406 X
D. 285,632	9/1986	Axhamre	D6/430 X
D. 290,913	7/1987	Righter	D6/430 X
D. 293,493	12/1987	Garr	D6/420 X
D. 296,852	7/1988	Buchweitz, Jr. et al.	D6/449
D. 307,033	4/1990	Kirchner	D6/449 X
4,274,685	6/1981	Bradshaw	D6/429 X
4,624,510	11/1986	Jedziniak	248/917 X
4,635,894	1/1987	Sammons	248/922 X
4,893,775	1/1990	Long	248/918 X

FOREIGN PATENT DOCUMENTS

6516278 6/1967 Netherlands 248/922

OTHER PUBLICATIONS

Moore 1986 Spring/Summer Catalog, p. 52, Tilt'Turn, lower middle of page.

Inmac Jan. 1987 Catalog, p. 35, the printer shelf, at upper left.

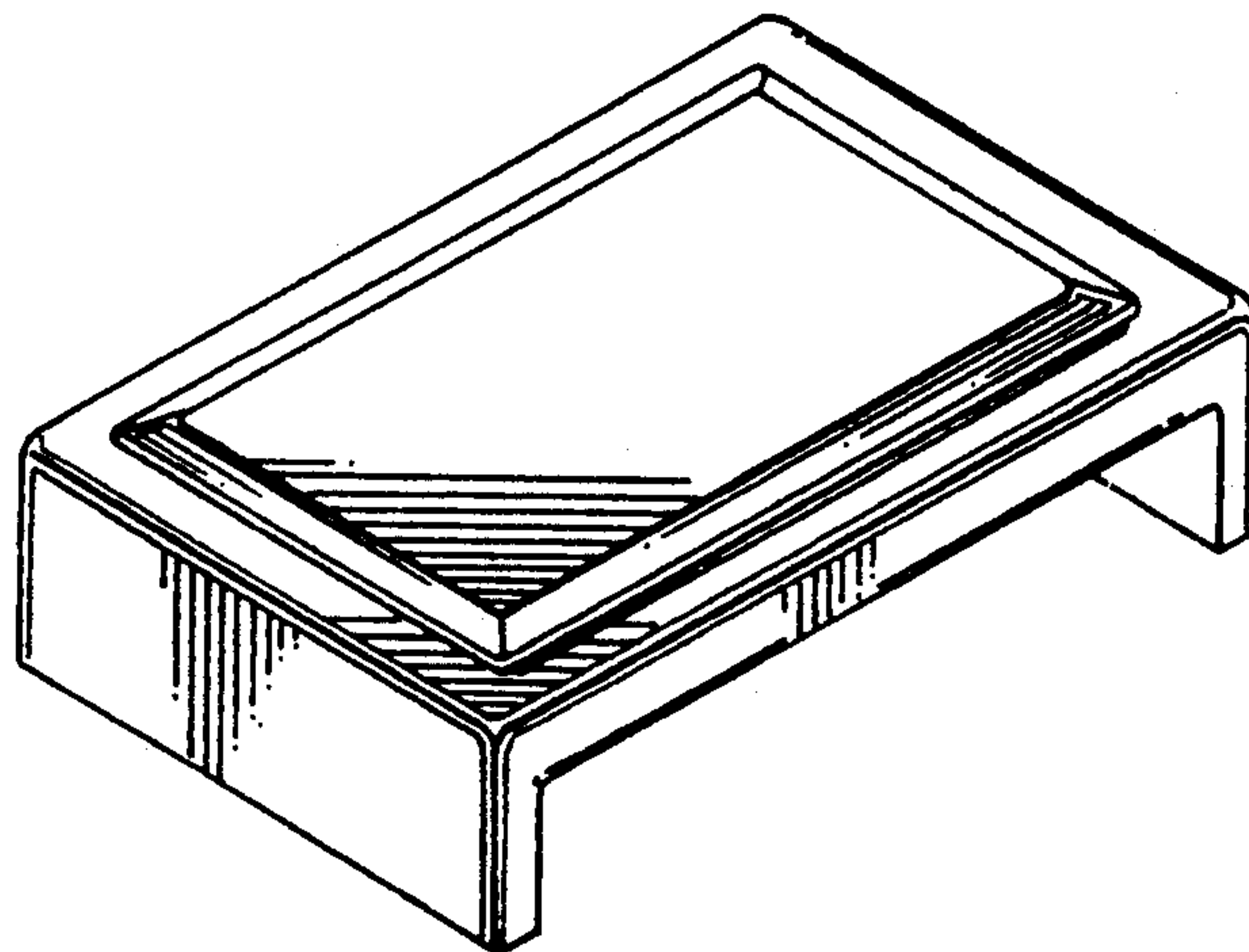
Primary Examiner—Alan P. Douglas
Assistant Examiner—Jeffrey Asch
Attorney, Agent, or Firm—Nikaido, Marmelstein, Murray & Oram

[57] **CLAIM**

The ornamental design for a television stand, as shown and described.

DESCRIPTION

FIG. 1 is a perspective view of a television stand showing my new design;
FIG. 2 is a front elevational view;
FIG. 3 is a rear elevational view;
FIG. 4 is a side elevational view, the opposite side being a mirror image thereof; and,
FIG. 5 is a bottom plan view thereof.



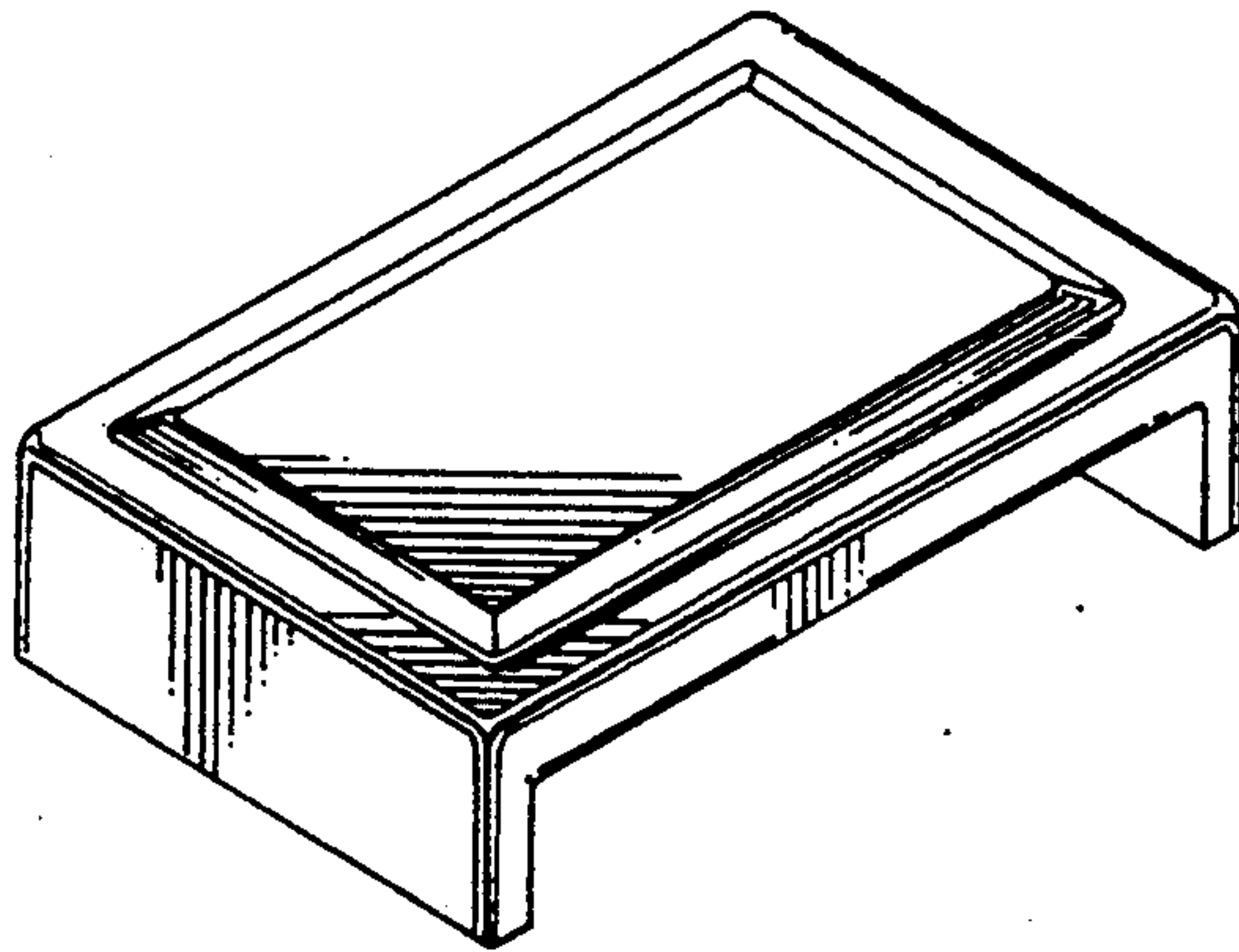


Fig. 1

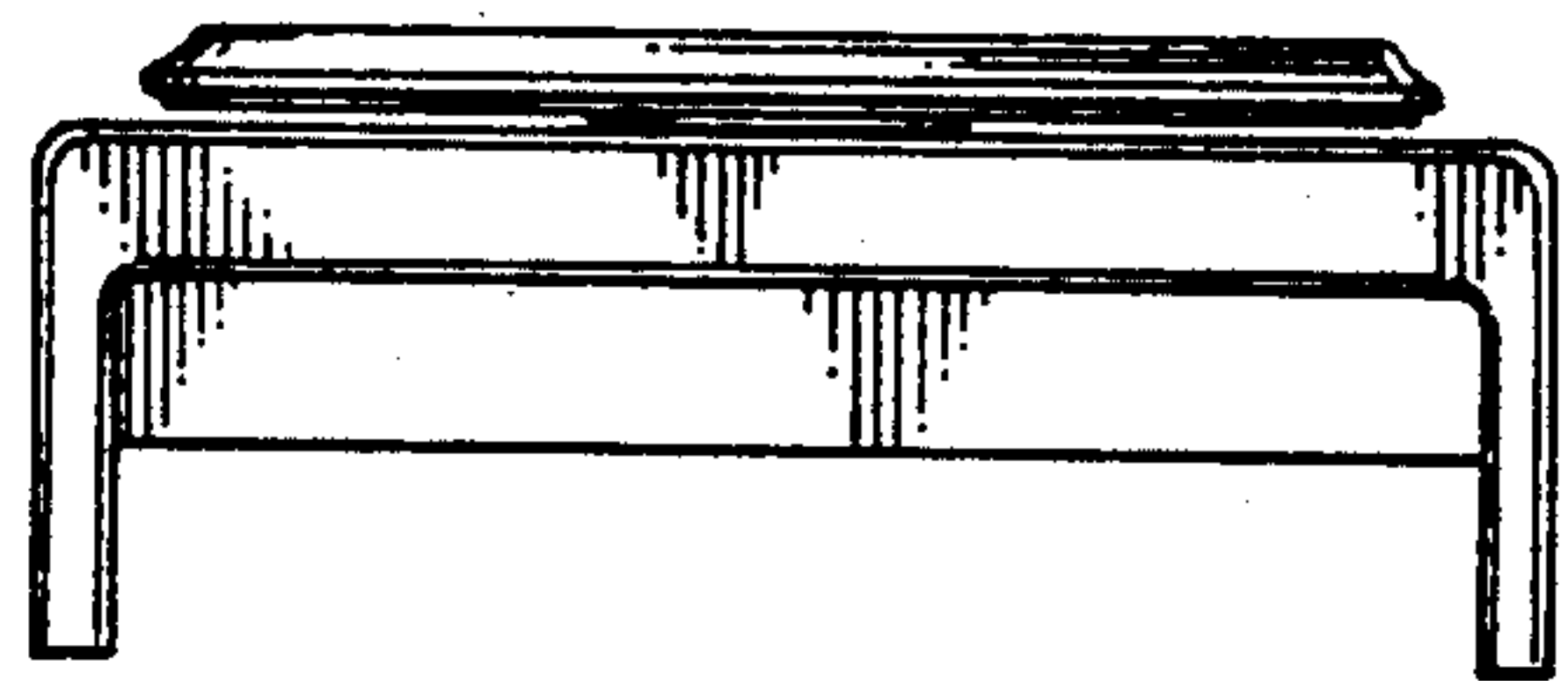


Fig. 2

Fig. 3

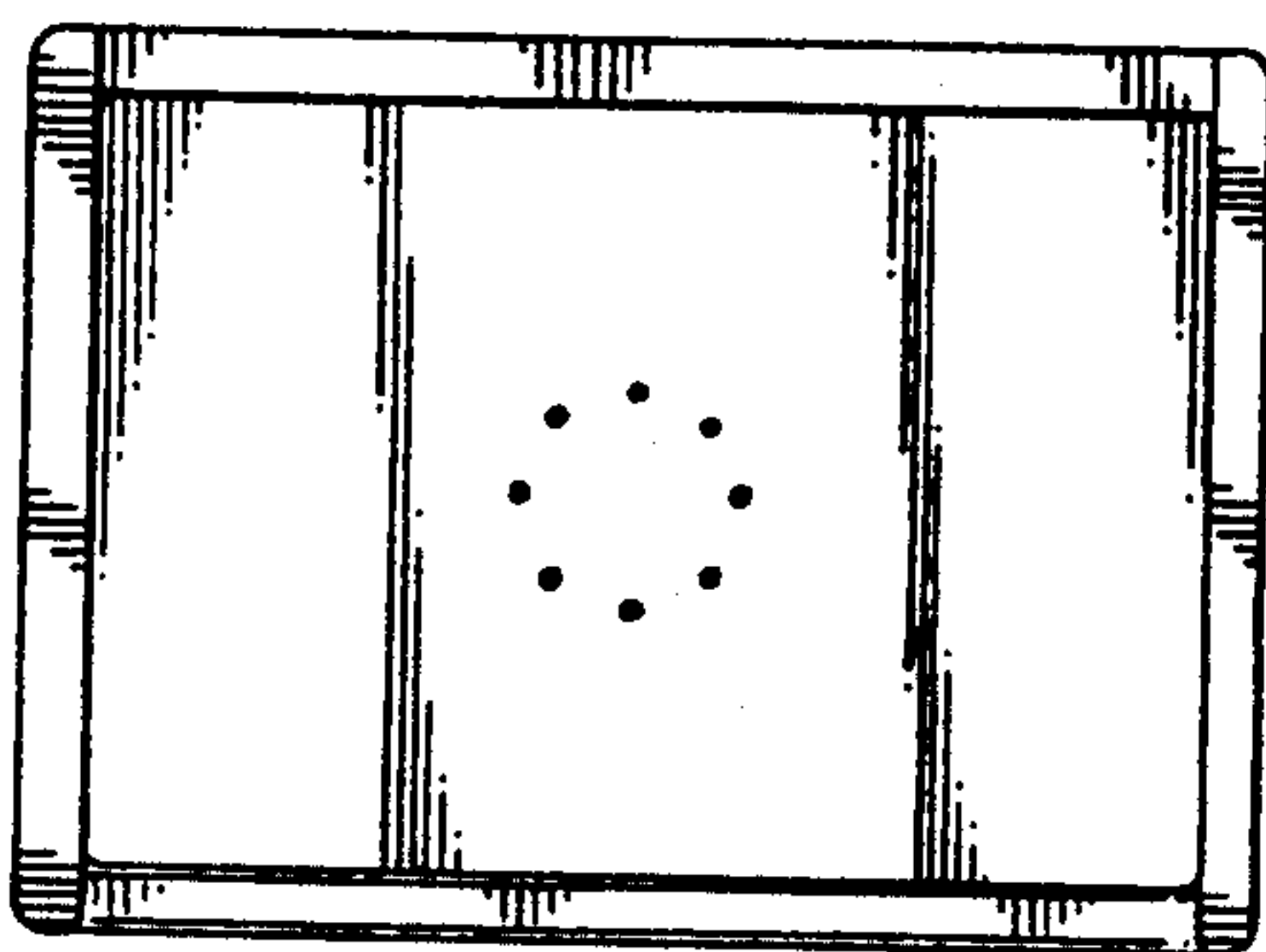
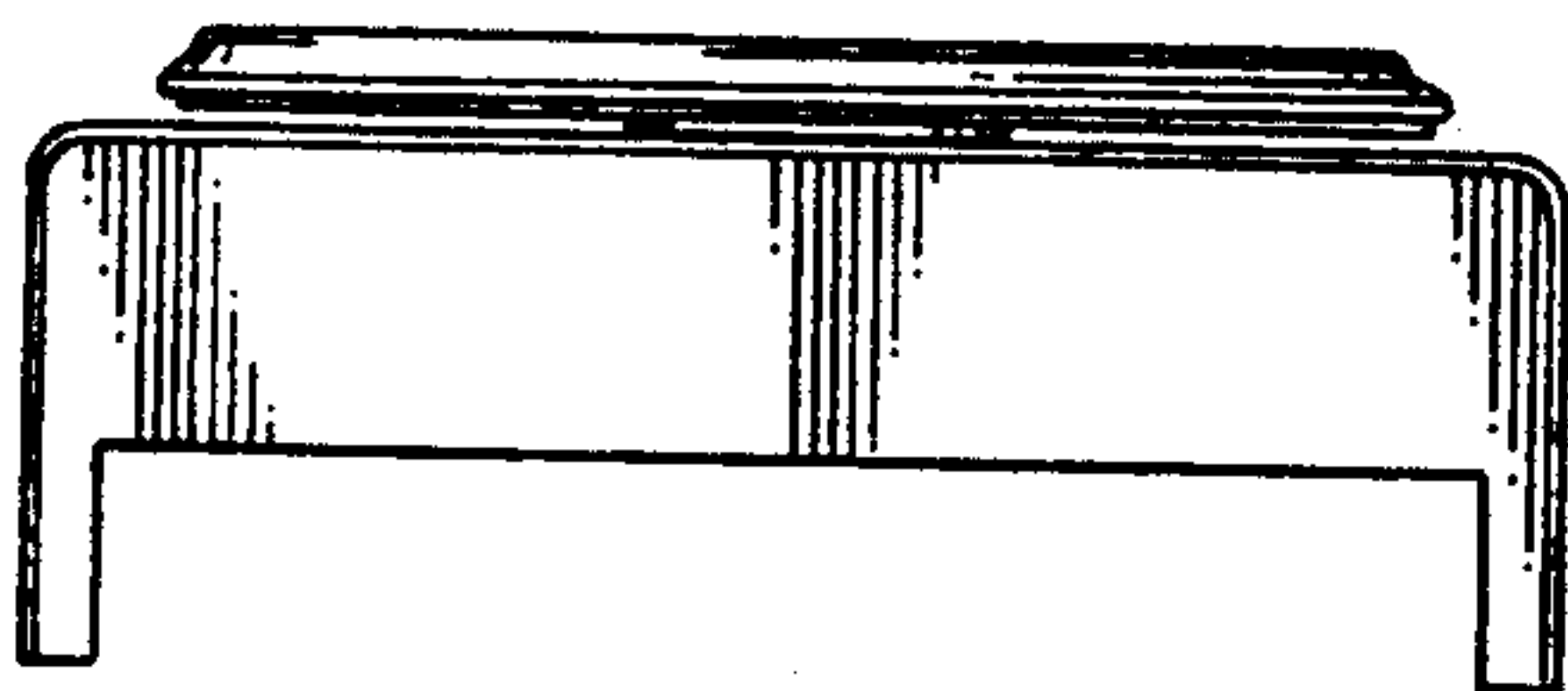


Fig. 5

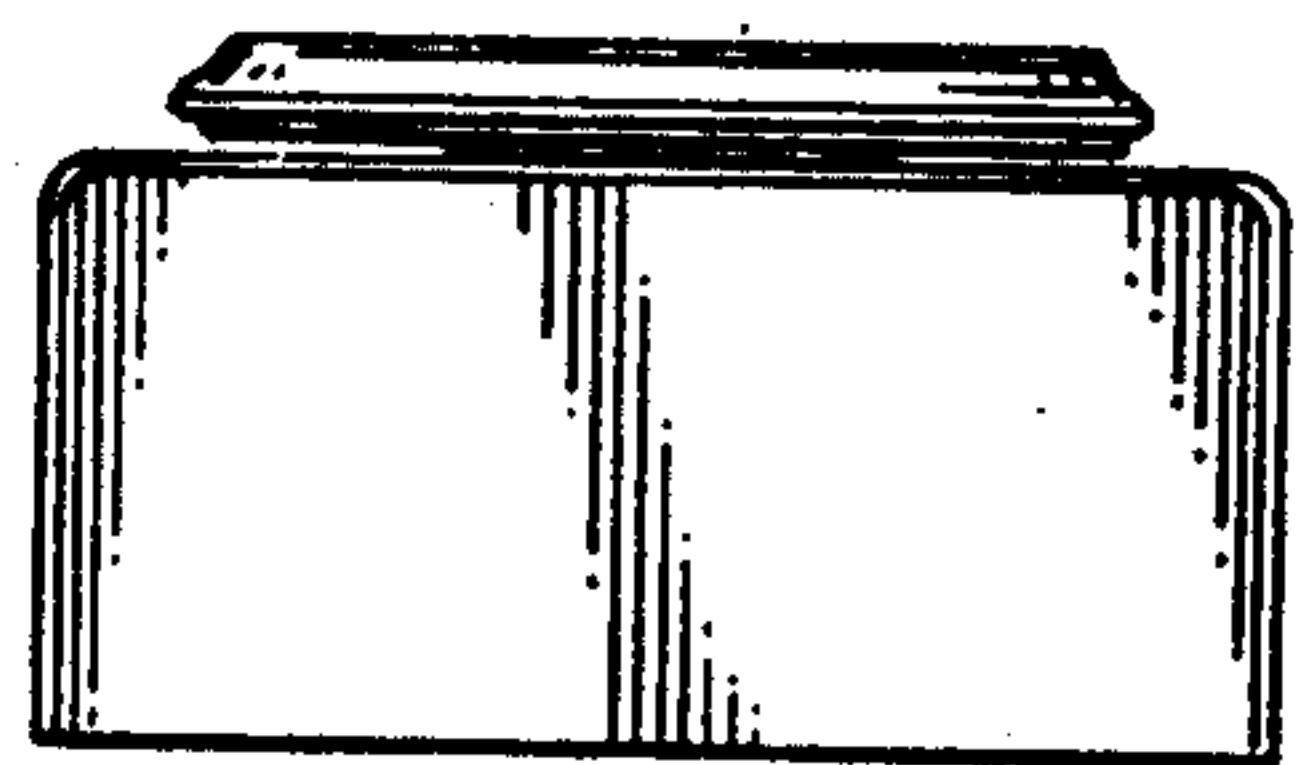


Fig. 4