



US00D334302S

# United States Patent [19]

[11] Patent Number: **Des. 334,302**

**Lindeberg**

[45] Date of Patent: **\*\* Mar. 30, 1993**

[54] **CAROUSEL CABINET**

[76] Inventor: **Ulla Lindeberg, Landåvägen 2, 440  
06 Gråbo, Sweden**

[\*\*] Term: **14 Years**

[21] Appl. No.: **549,702**

[22] Filed: **Jul. 9, 1990**

[52] U.S. Cl. .... **D6/431; D6/397;  
D6/479**

[58] Field of Search ..... **D6/396, 397, 429-431,  
D6/449, 480, 455, 486, 457-461, 477-479, 436,  
429, 448, 430, 431, 422, 425, 428, 440; 211/13,  
163; 108/11, 15, 33, 50, 66, 71**

[56] **References Cited**

### U.S. PATENT DOCUMENTS

D. 134,392	11/1942	Waltman	.....	D6/486 X
D. 140,390	2/1945	Deutsch	.....	D6/486
D. 165,829	2/1952	Dorr, Jr.	.....	D6/486
D. 228,213	8/1973	Johnston	.....	D6/486 X
D. 237,564	11/1975	Laylon	.....	D6/486
D. 250,863	1/1979	Berti	.....	D6/486 X

D. 264,531	5/1982	Trode	.....	D6/429 X
D. 267,988	2/1983	Crespi	.....	D6/429 X
D. 306,107	2/1990	Grosfillex	.....	D6/486 X
D. 316,639	5/1991	Adler	.....	D6/486 X

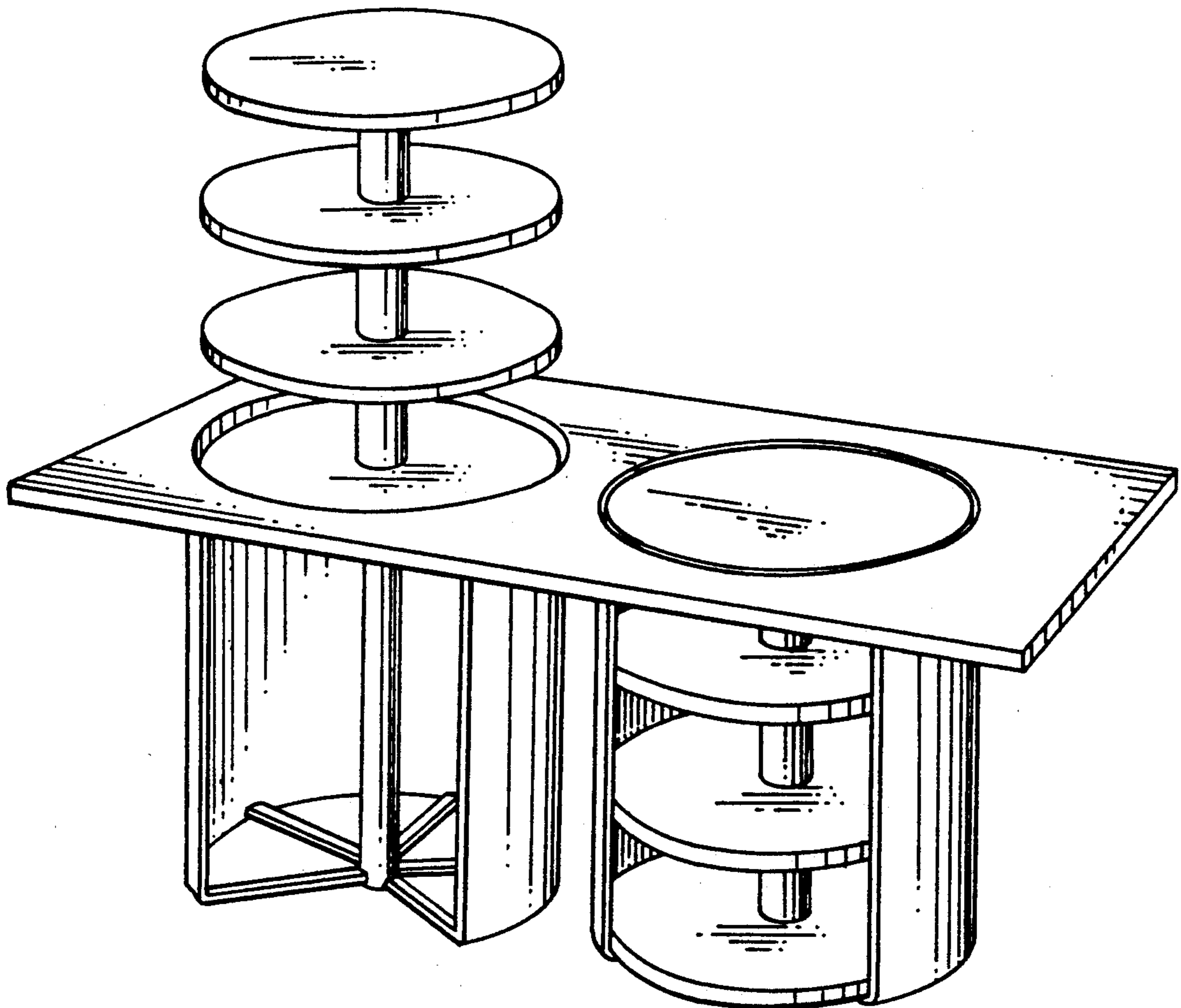
*Primary Examiner*—Alan P. Douglas  
*Assistant Examiner*—Jeffrey Asch  
*Attorney, Agent, or Firm*—Lerner, David, Littenberg,  
Krumholz & Mentlik

### [57] CLAIM

The ornamental design for a carousel cabinet, as shown and described.

### DESCRIPTION

FIG. 1 is a front perspective view of a carousel cabinet showing my new design;  
FIG. 2 is a rear perspective view thereof;  
FIG. 3 is a front perspective view with one of the two combination shelves in its highest position;  
FIG. 4 is a front elevational view of the carousel cabinet shown in FIG. 1;  
FIG. 5 is a bottom plan view thereof;  
FIG. 6 is a left side elevational view thereof; and,  
FIG. 7 is a right side elevational view thereof.



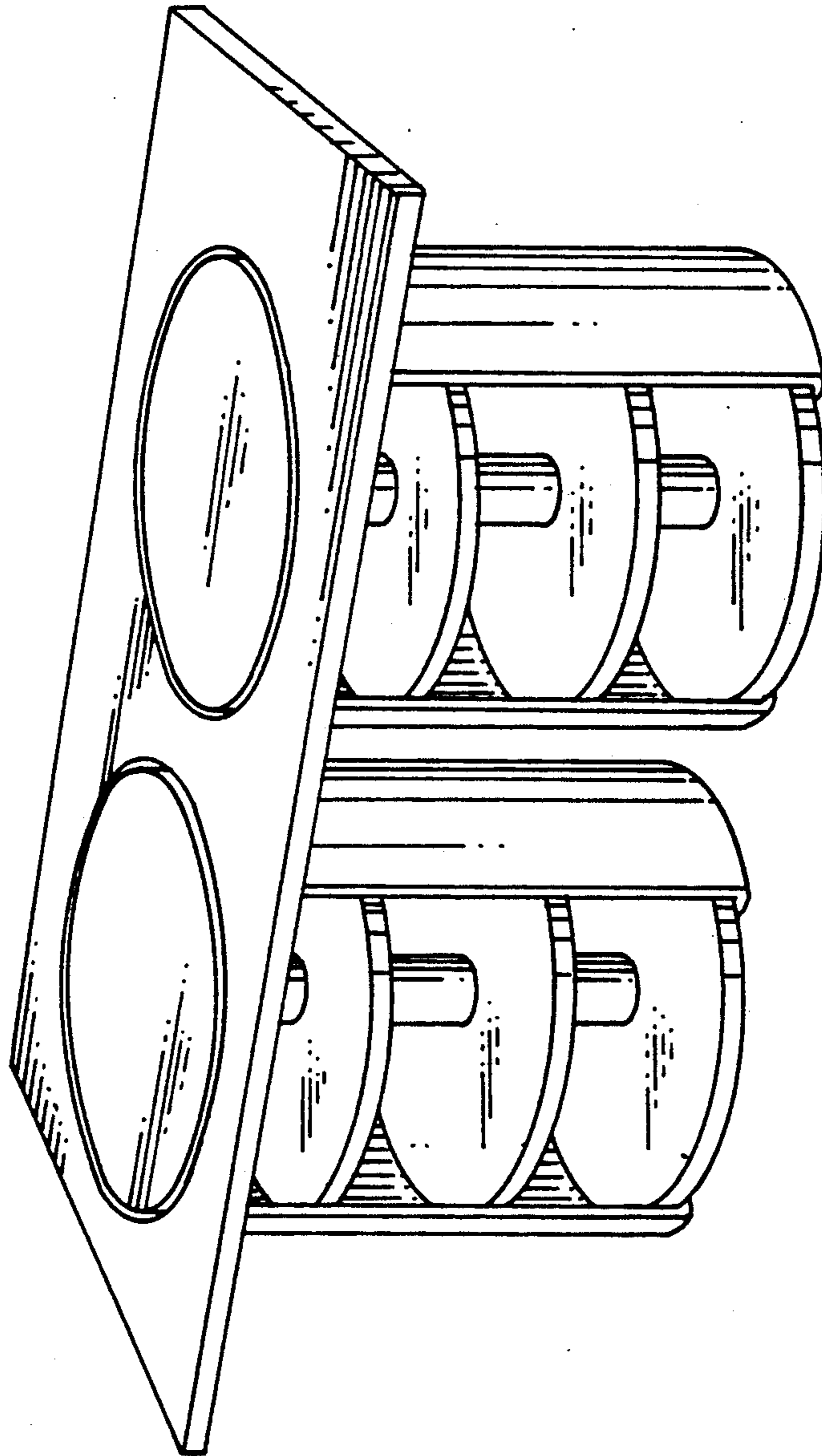


FIG. 1

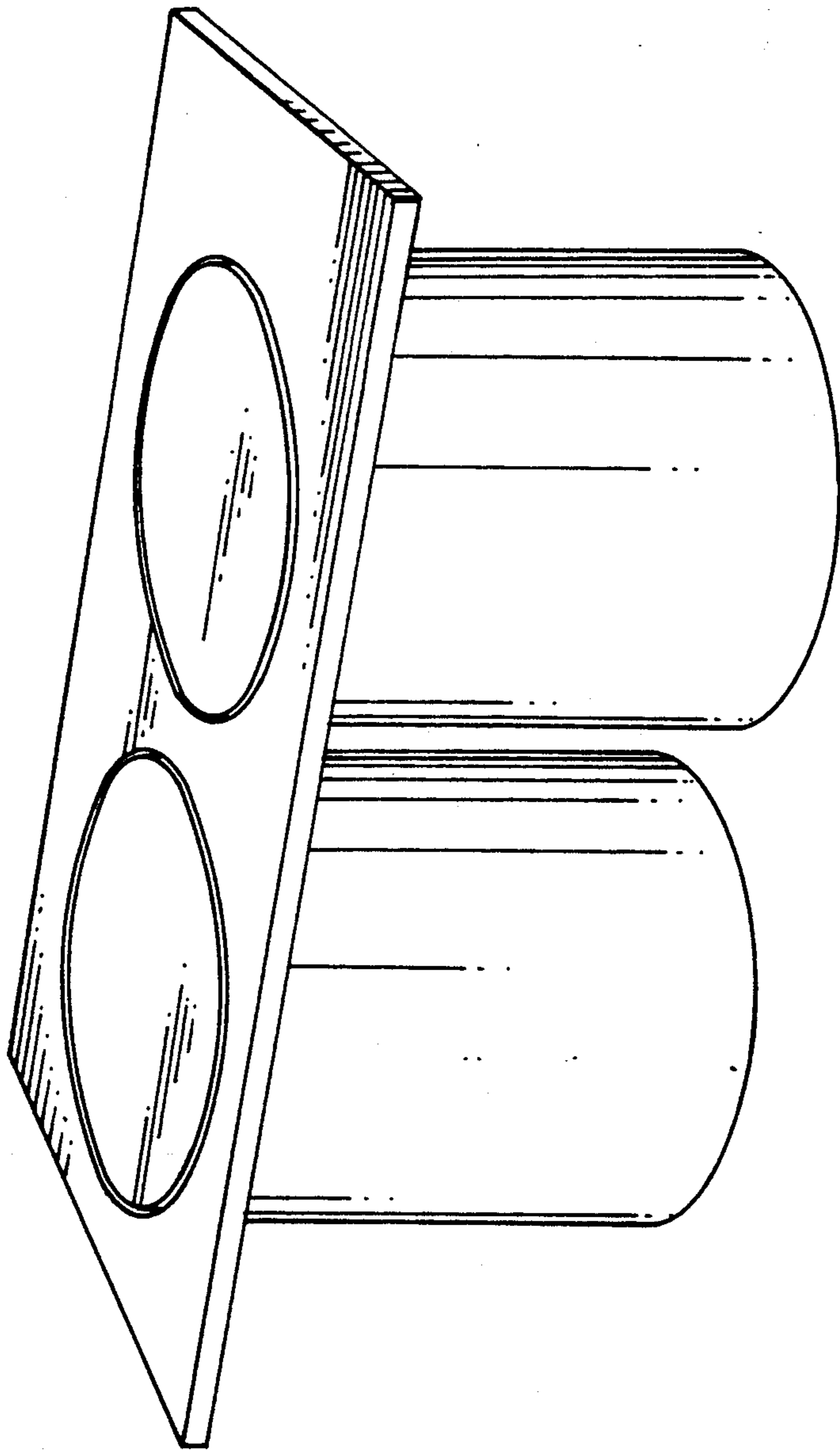


FIG. 2

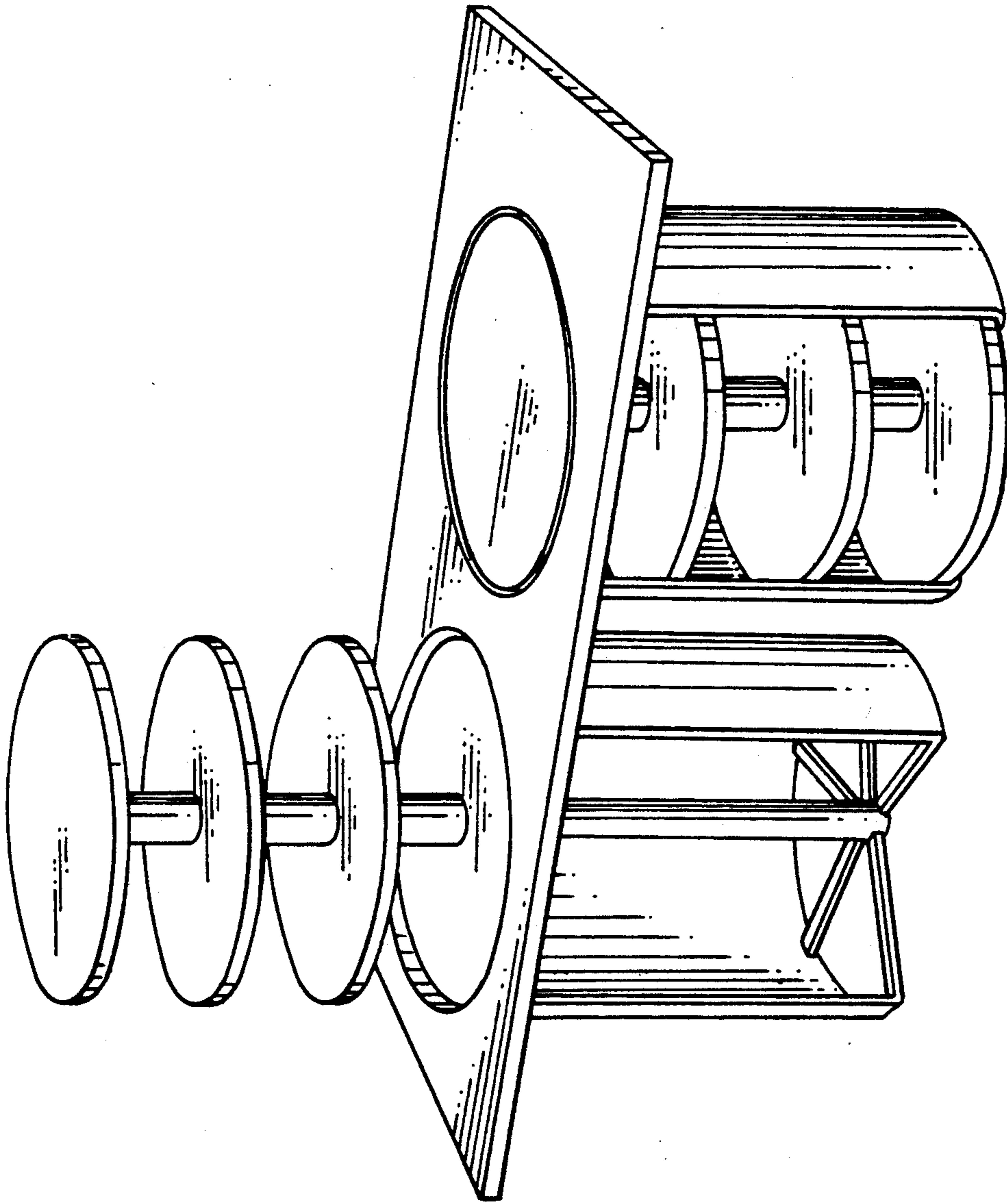


FIG. 3

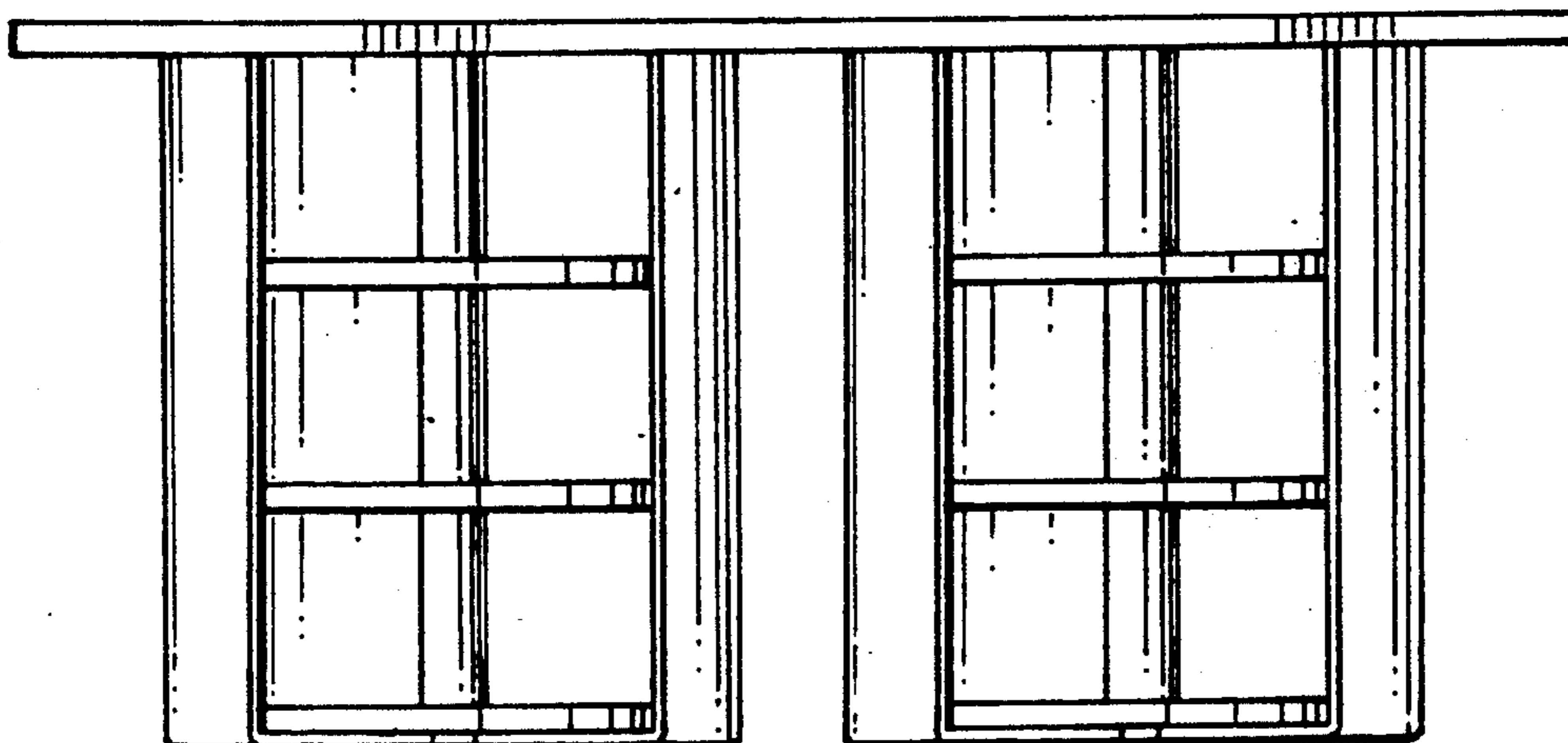


FIG. 4

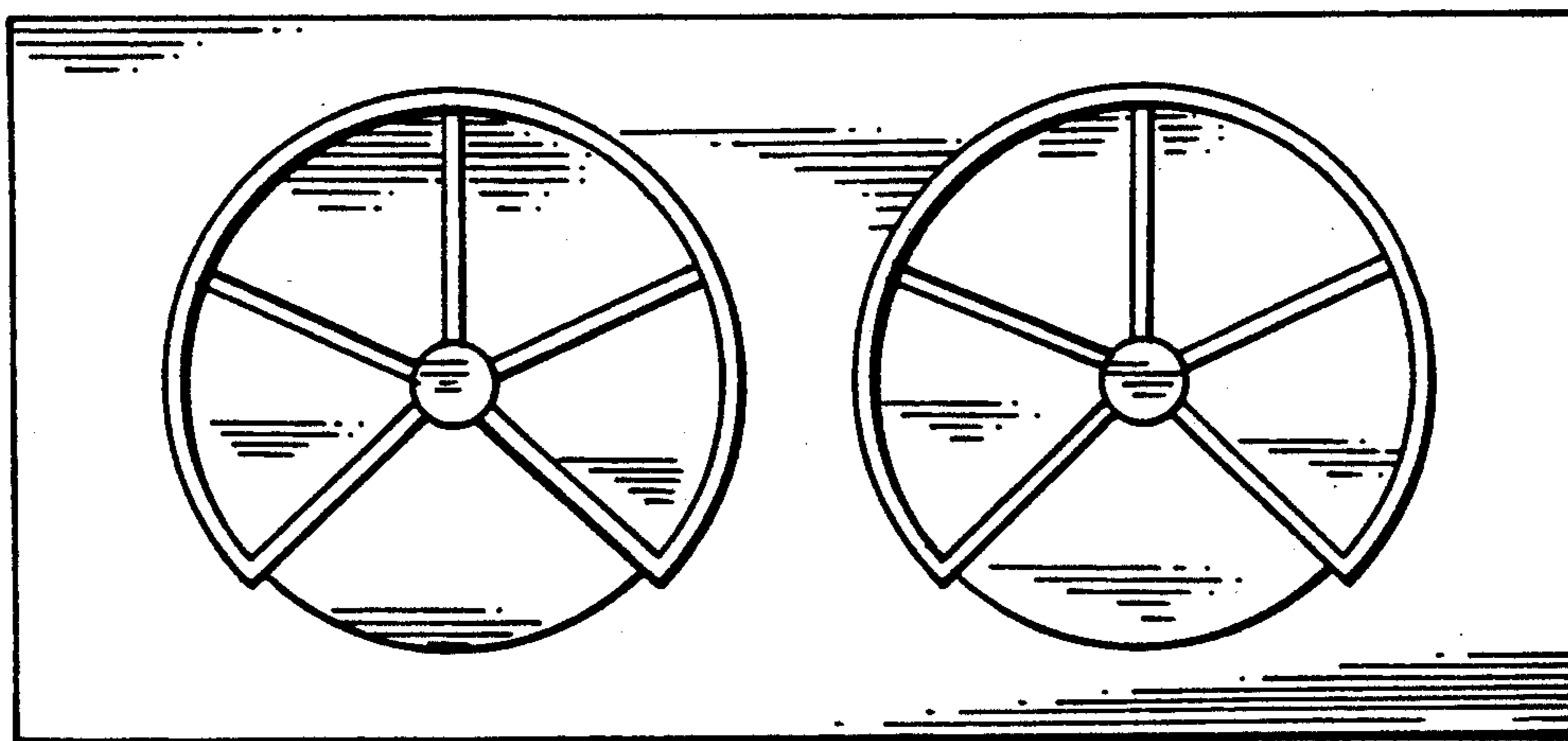


FIG. 5

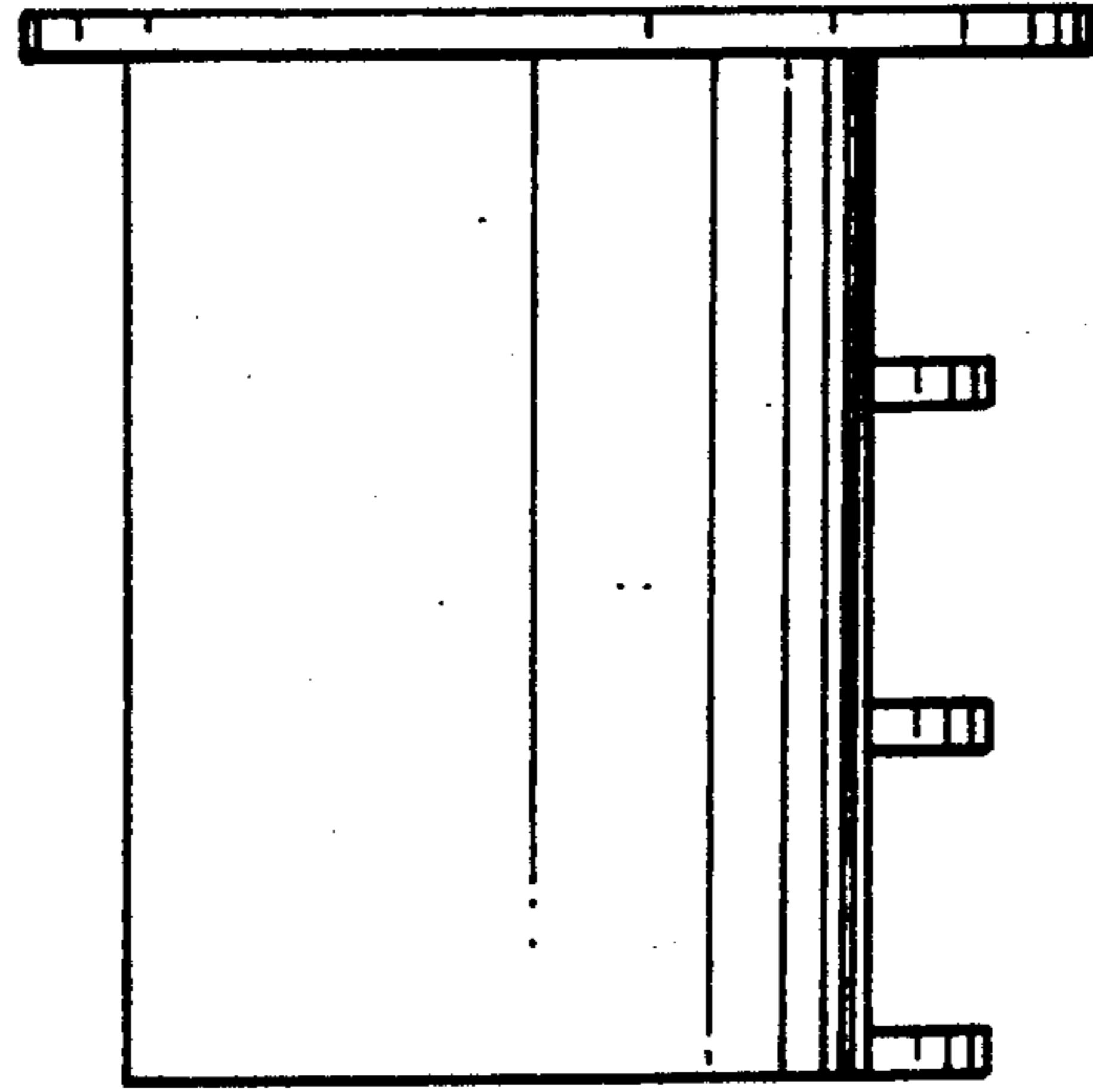


FIG. 6

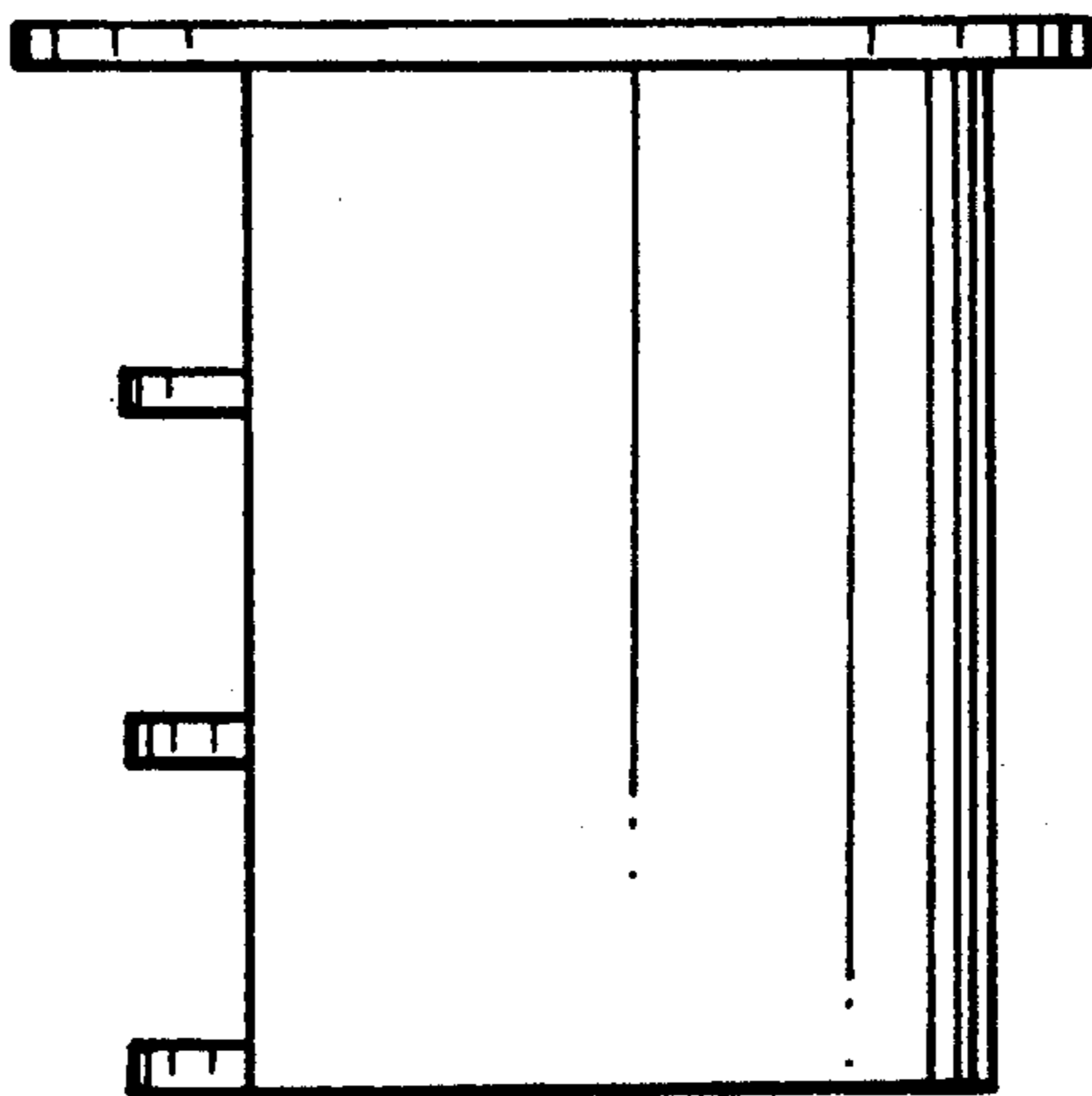


FIG. 7