



US00D334301S

United States Patent [19]
Buckley

[11] **Patent Number: Des. 334,301**
[45] **Date of Patent: ** Mar. 30, 1993**

[54] **SHOPPING CART HOLDER**

[76] **Inventor: Robert S. Buckley, P.O. Box 246,
Keene, N.H. 03431**

[**] **Term: 14 Years**

[21] **Appl. No.: 818,973**

[22] **Filed: Jan. 10, 1992**

[52] **U.S. Cl. D6/462; D6/467;
D25/43**

[58] **Field of Search D6/462-465,
D6/466, 467, 458, 449, 473; D25/38, 43, 44;
D34/27, 5; D12/115; 182/181; 211/17, 20, 22,
181, 13**

[56] **References Cited**

U.S. PATENT DOCUMENTS

- D. 122,929 10/1940 Seltzer D6/473 X
- D. 165,887 2/1952 Troccoli D6/462
- D. 273,256 4/1984 Marcus D6/462
- D. 295,471 5/1988 Lindskog D6/462

- D. 297,081 8/1988 Baldree et al. D6/462
- D. 302,804 8/1989 Mailhot et al. D12/115
- D. 321,798 11/1991 Buckley D6/462
- D. 330,617 10/1992 Saller D34/5
- 2,819,755 1/1958 Berger et al. 182/181
- 3,581,962 6/1971 Osborn 211/22 X
- 3,841,119 10/1974 Kaufmann 211/17 X

Primary Examiner—Alan P. Douglas
Assistant Examiner—Jeffrey Asch
Attorney, Agent, or Firm—Thomas N. Neiman

[57] **CLAIM**

The ornamental design for a shopping cart holder, as shown and described.

DESCRIPTION

FIG. 1 is a top plan view of a shopping cart holder showing my new design;
FIG. 2 is a right side view thereof;
FIG. 3 is a bottom plan view thereof;
FIG. 4 is a front elevational view thereof, the rear being the same in appearance; and,
FIG. 5 is a front and left side perspective view thereof.

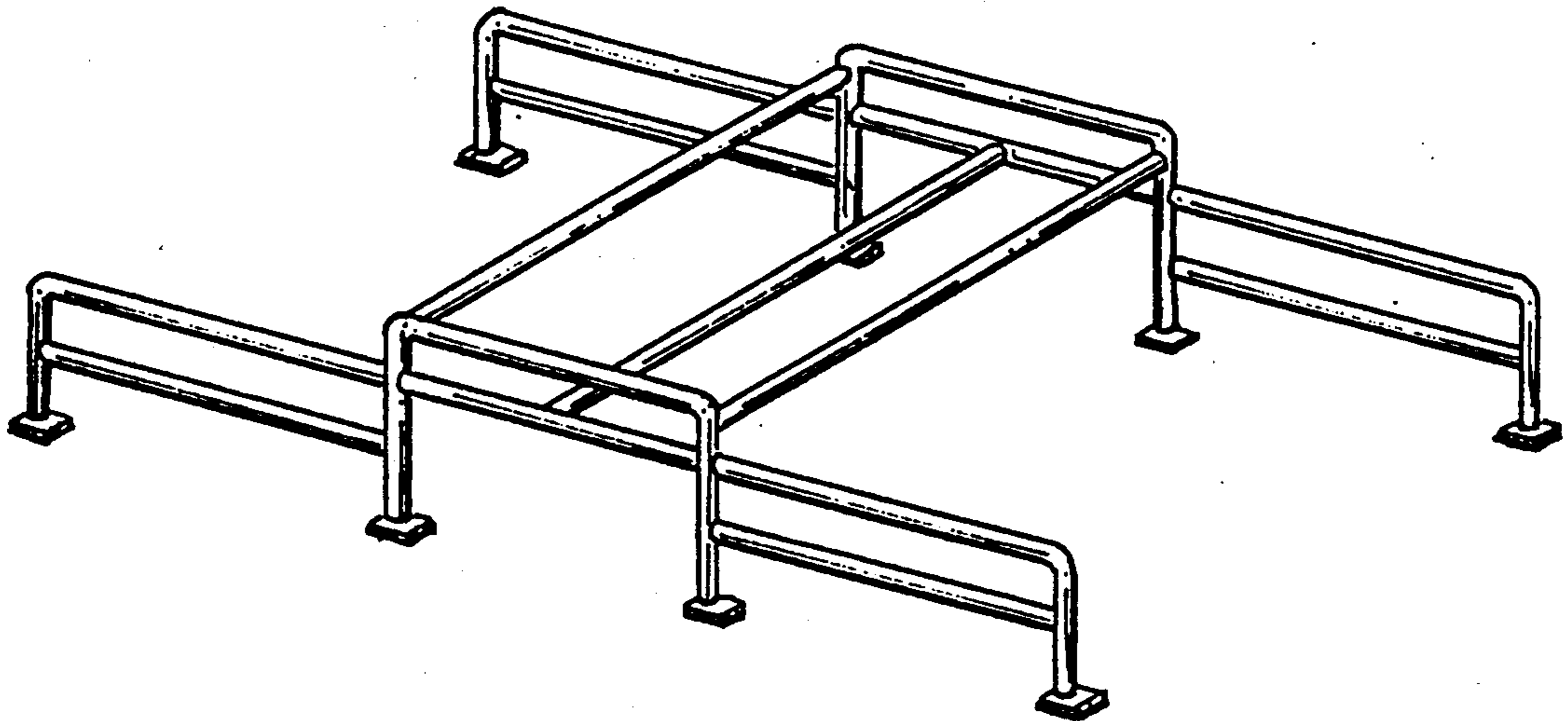


FIG.1

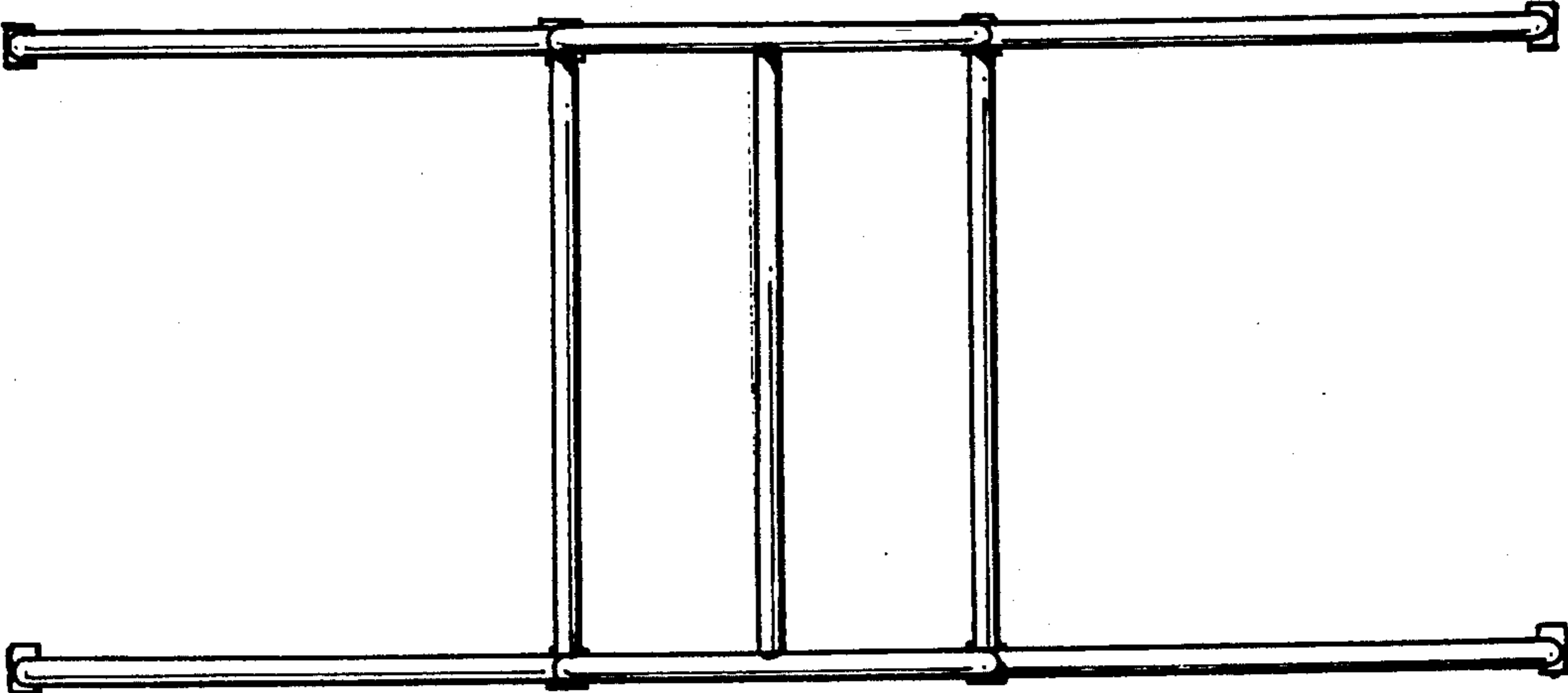


FIG.2

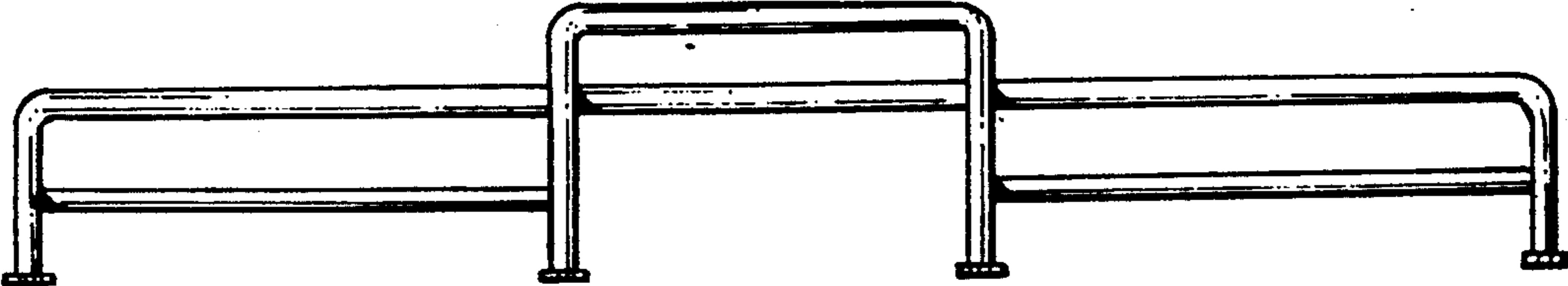


FIG.3

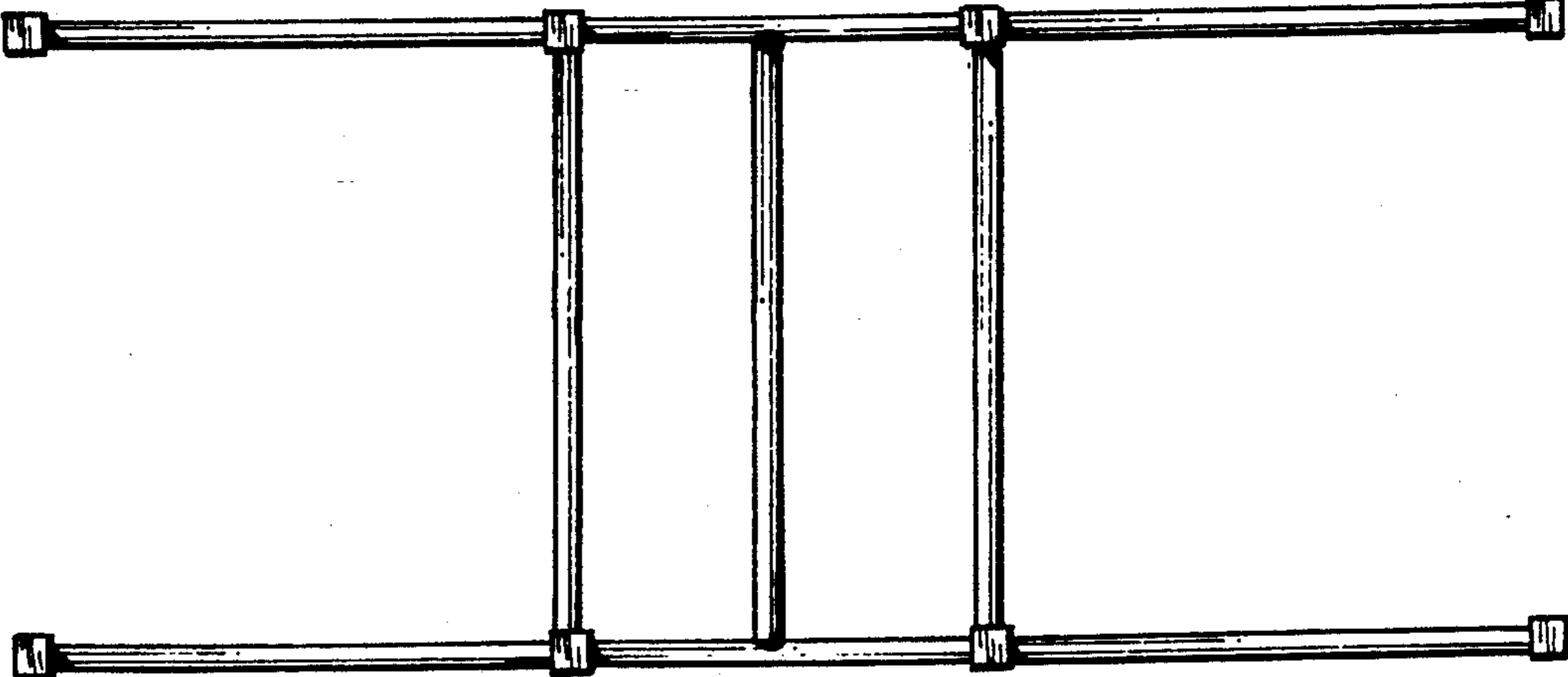


FIG. 4

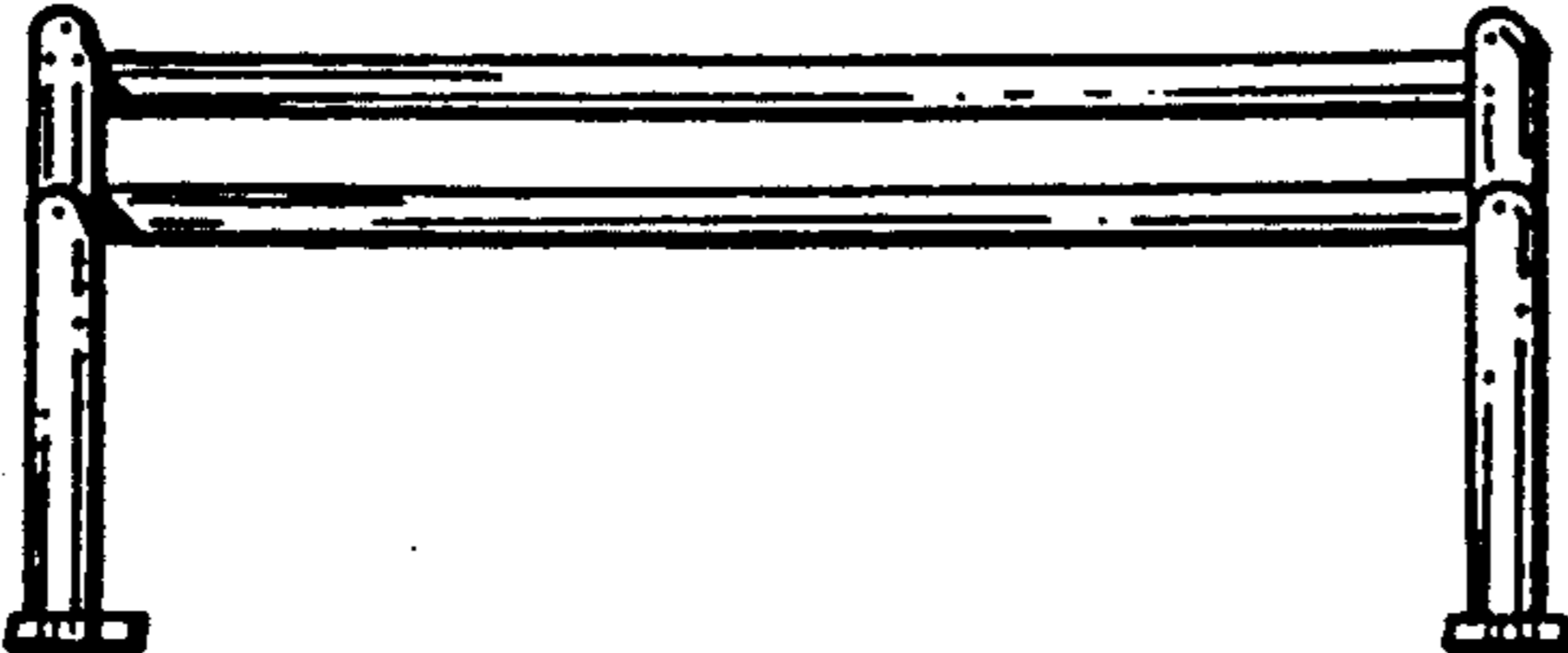


FIG. 5

