



US00D334292S

# United States Patent [19]

Klein et al.

[11] Patent Number: **Des. 334,292**

[45] Date of Patent: **\*\* Mar. 30, 1993**

[54] **SWIVEL RACK**

[75] Inventors: **Richard Klein, Overland Park, Kans.;  
Chris Serslev, Kansas City, Mo.**

[73] Assignee: **Lynk, Inc., Shawnee Mission, Kans.**

[\*\*] Term: **14 Years**

[21] Appl. No.: **797,336**

[22] Filed: **Nov. 25, 1991**

[52] U.S. Cl. .... **D6/317**

[58] Field of Search ..... **D6/315, 317, 327;  
211/113, 115, 116, 119, 60.1; 223/DIG. 1**

[56] **References Cited**

**U.S. PATENT DOCUMENTS**

D. 207,076	2/1967	Bertram .....	D6/315
D. 242,414	11/1976	Salladay .....	D6/315
D. 281,931	12/1985	Arnold et al. ....	D6/317
2,557,627	6/1951	Baril .....	211/113
2,593,356	4/1952	Smith .....	D6/315
3,872,973	3/1975	Duncan .....	211/115

**OTHER PUBLICATIONS**

Lee Rowan—Accessories for the Home—Cat. AS2; p. 8; tie and belt hanger No. 18.

*Primary Examiner*—B. J. Bullock

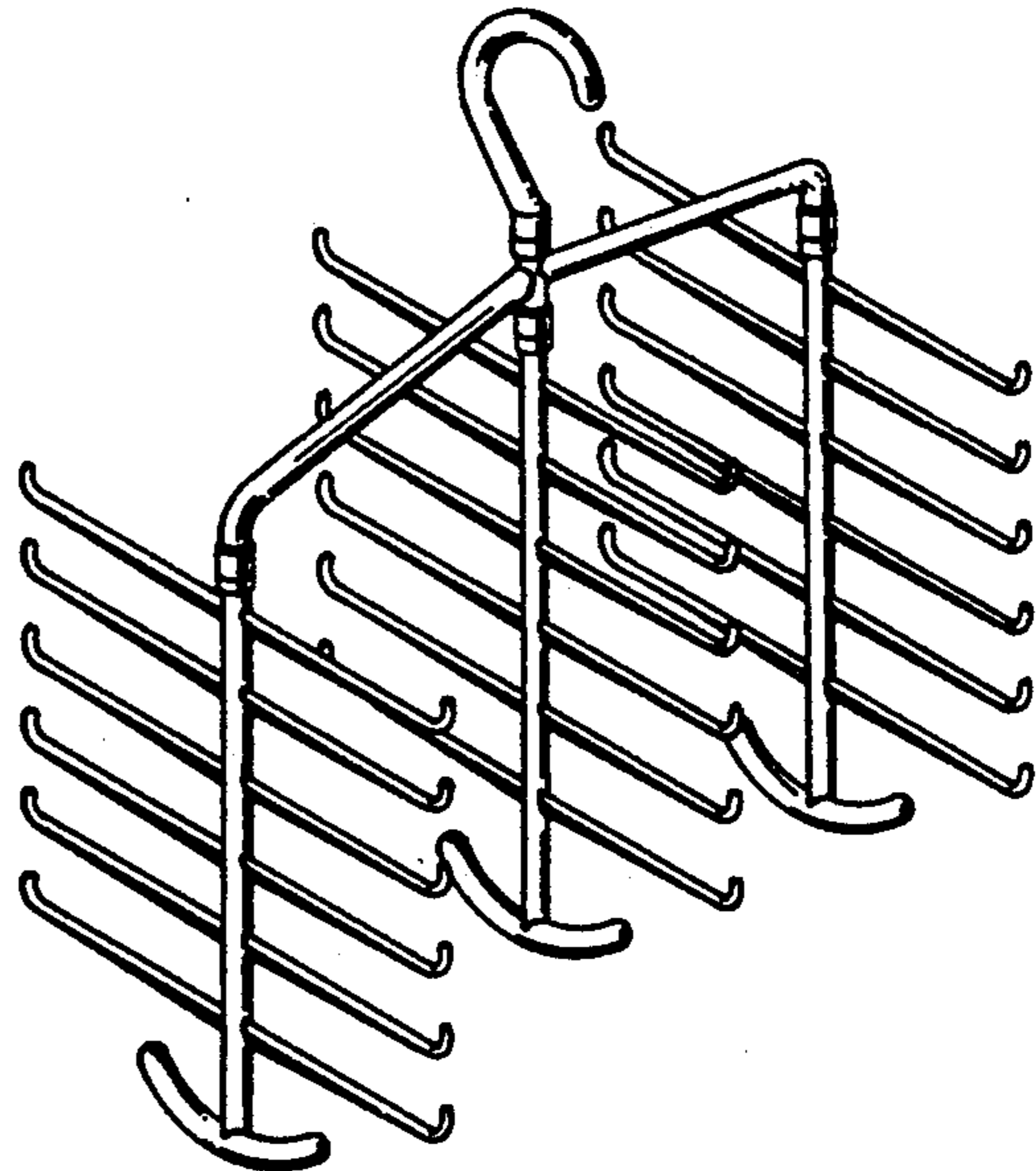
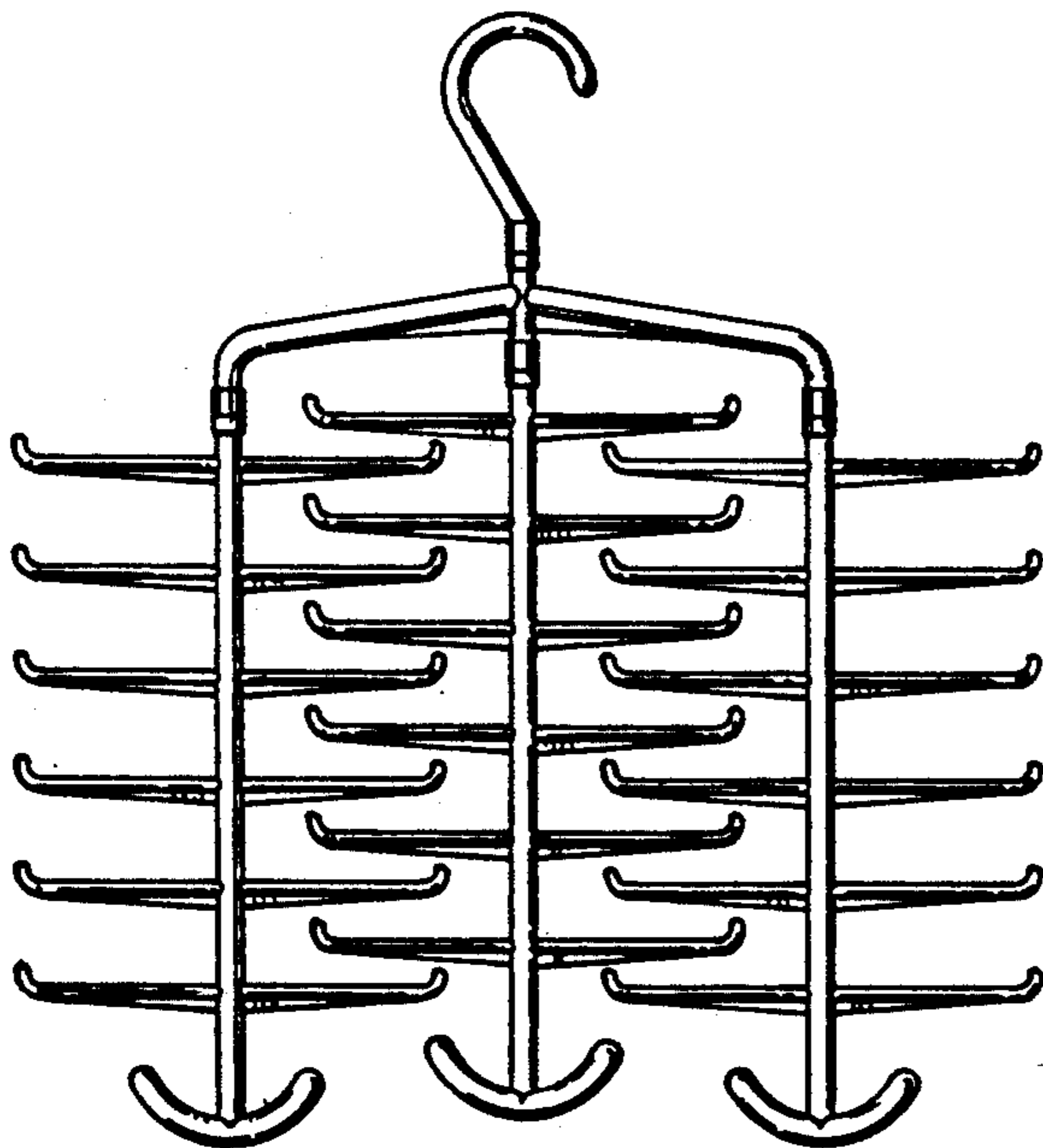
*Attorney, Agent, or Firm*—Kokjer, Kircher, Bowman & Johnson

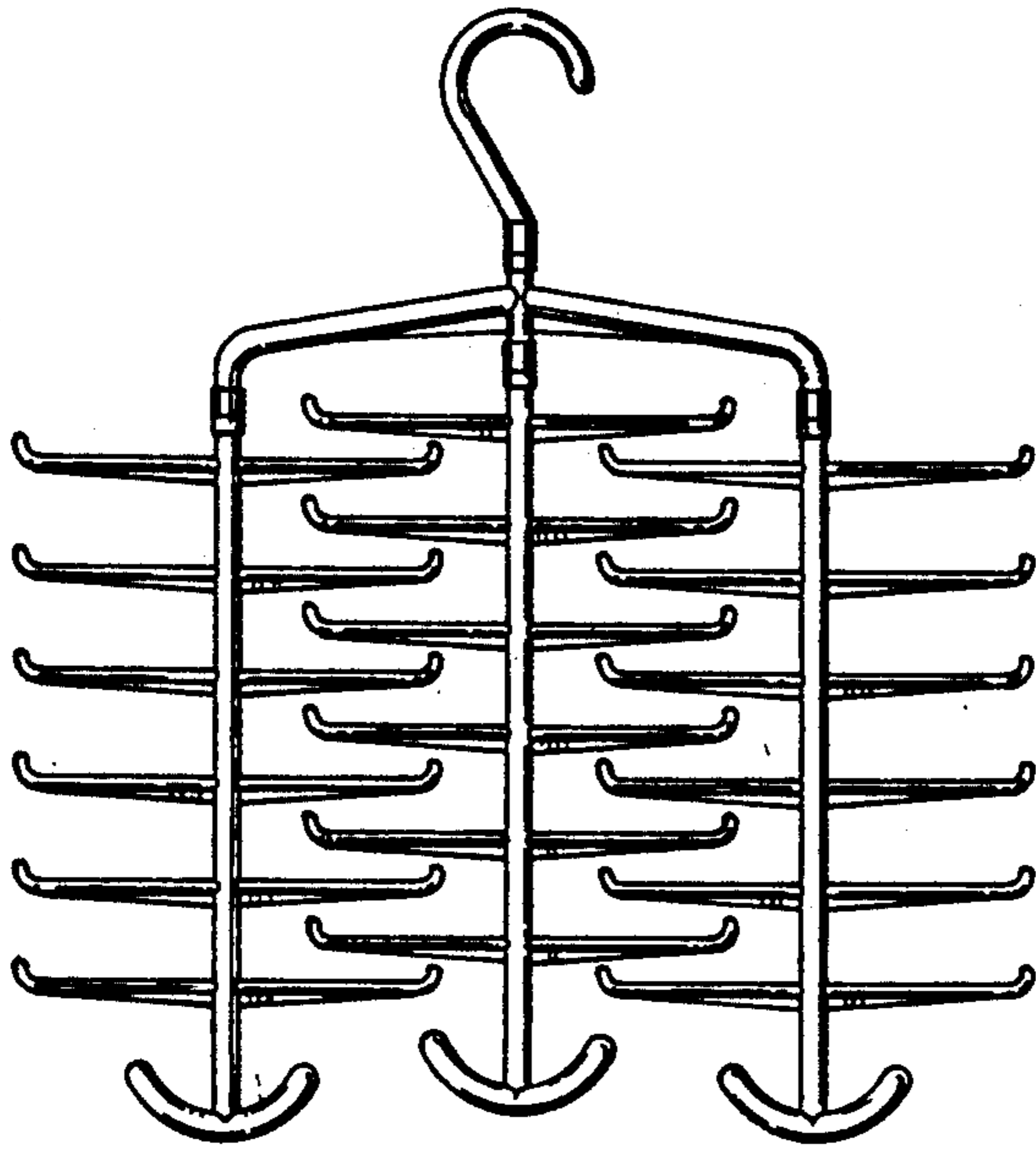
[57] **CLAIM**

The ornamental design for a swivel rack, as shown and described.

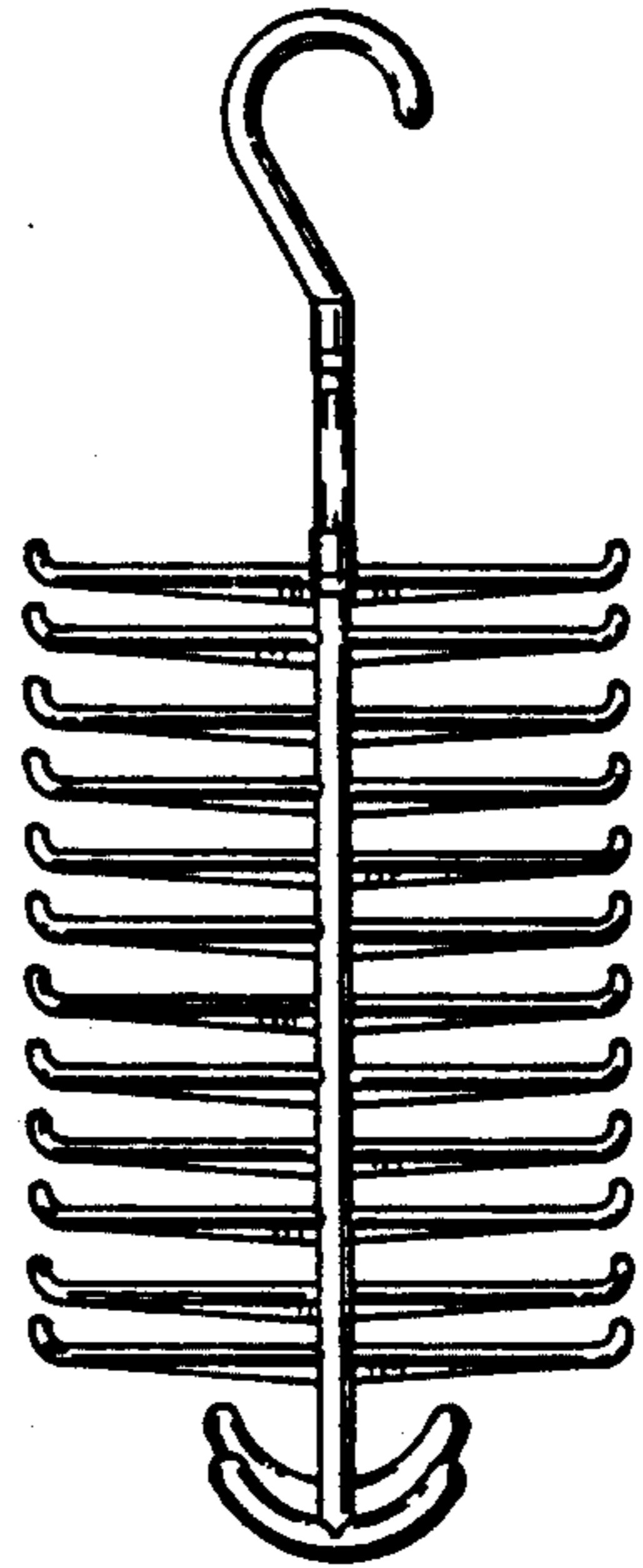
**DESCRIPTION**

FIG. 1 is a front elevational view of a swivel rack showing our new design; the rear being a mirror image; FIG. 2 is a side elevational view with the supporting arms in an alternate position, the side opposite being a mirror image; FIG. 3 is a top plan view of FIG. 2; FIG. 4 is a bottom plan view of FIG. 2; and, FIG. 5 is a perspective view of FIG. 2.

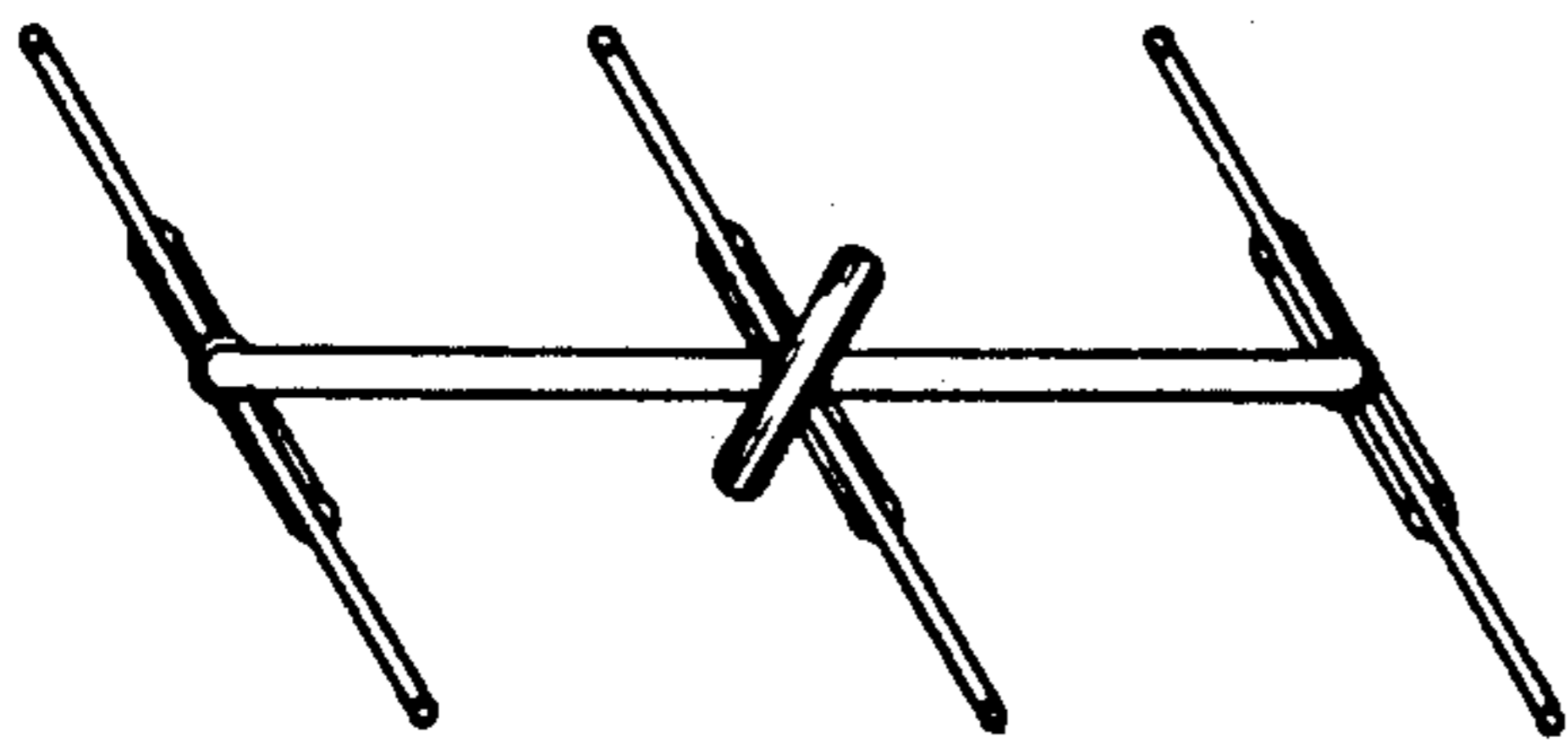




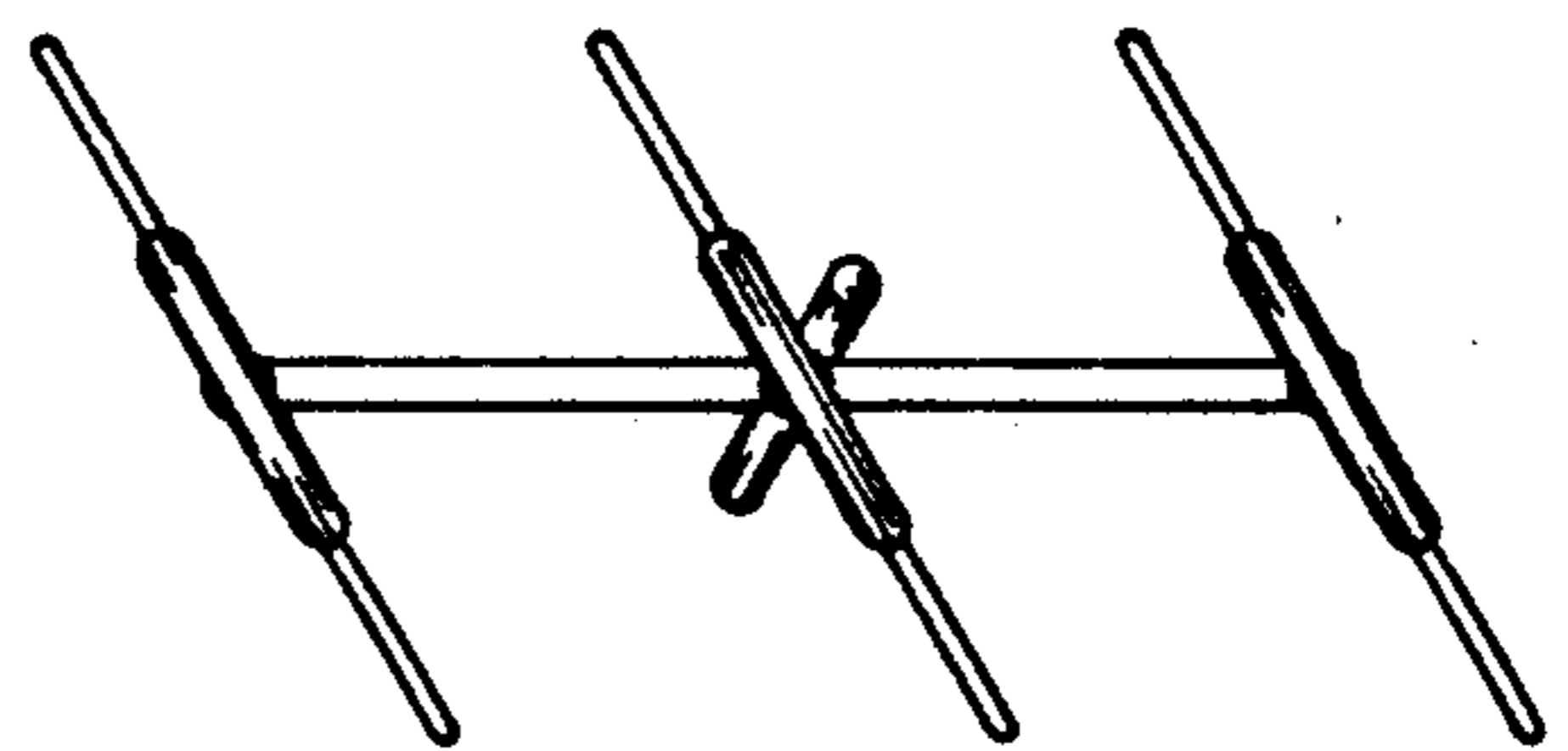
*Fig. 1.*



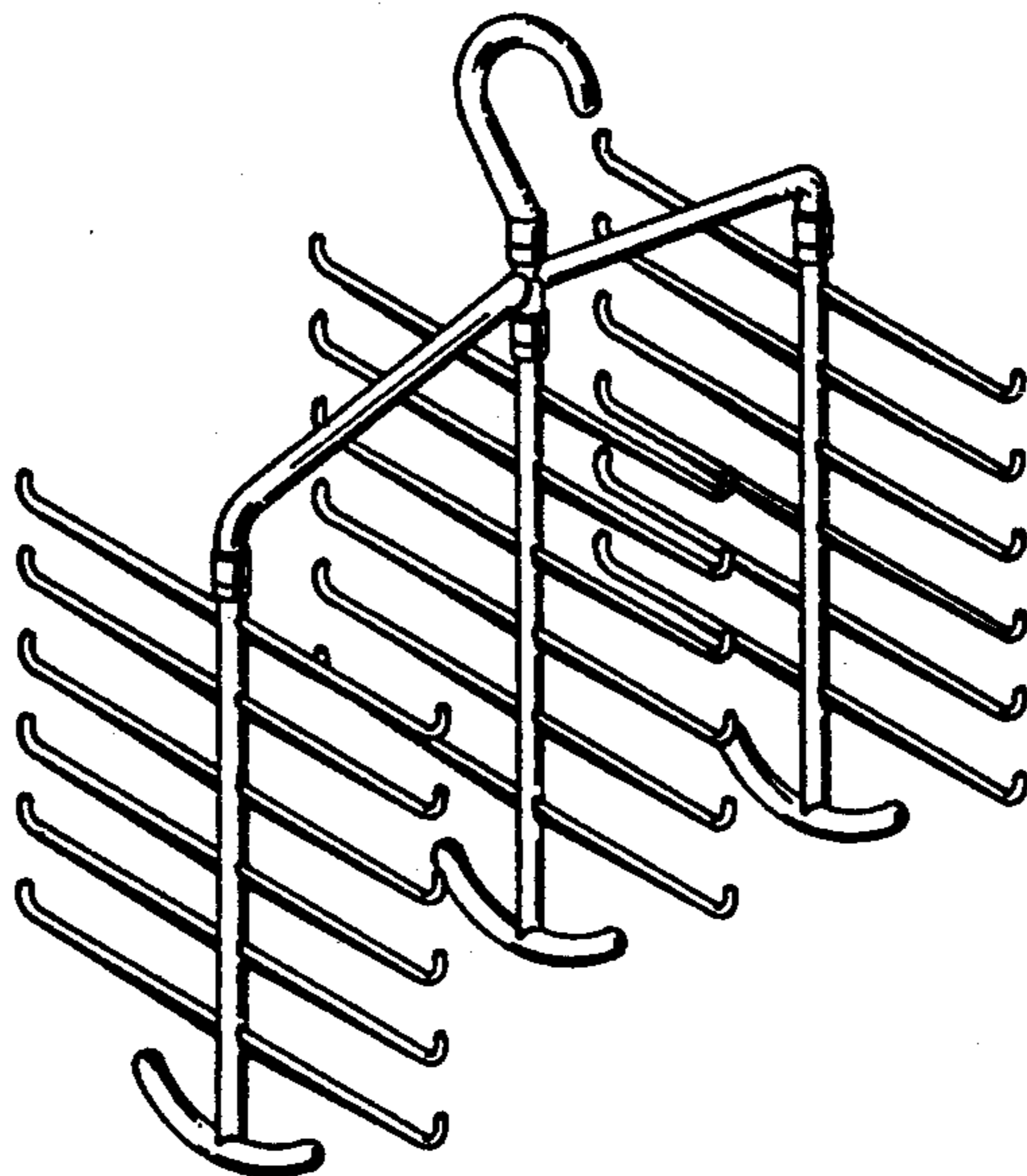
*Fig. 2.*



*Fig. 3.*



*Fig. 4.*



*Fig. 5.*