



US00D334291S

United States Patent [19]

[11] Patent Number: Des. 334,291

Rooke

[45] Date of Patent: ** Mar. 30, 1993

[54] COMBINED TIE AND BELT RACK

3,124,253 3/1964 Petrich 211/94
3,954,182 5/1976 McEvers 211/105.3

[75] Inventor: Howard W. Rooke, South Perth, Australia

Primary Examiner—B. J. Bullock
Attorney, Agent, or Firm—Burns, Doane, Swecker & Mathis

[73] Assignee: Homecourt Holdings Pty. Ltd., Australia

[**] Term: 14 Years

[57] CLAIM

[21] Appl. No.: 343,246

The ornamental design for a combined tie and belt rack, as shown and described.

[22] Filed: Apr. 26, 1989

DESCRIPTION

[52] U.S. Cl. D6/317; D6/315

[58] Field of Search D6/315, 317, 327, 513, D6/514; 211/94, 113, 119, 105.3; 223/85, DIG. 1

FIG. 1 is a top plan view of a combined tie and belt rack showing my new design;
FIG. 2 is a right side elevational view thereof, the left side being a mirror image;
FIG. 3 is a bottom plan view thereof;
FIG. 4 is a rear elevational view thereof;
FIG. 5 is a top perspective view thereof; and,
FIG. 6 is a top perspective view thereof, in its extended position.

[56] References Cited

U.S. PATENT DOCUMENTS

- D. 277,436 2/1985 Benedict D6/315
- D. 280,048 8/1985 Benedict D6/328

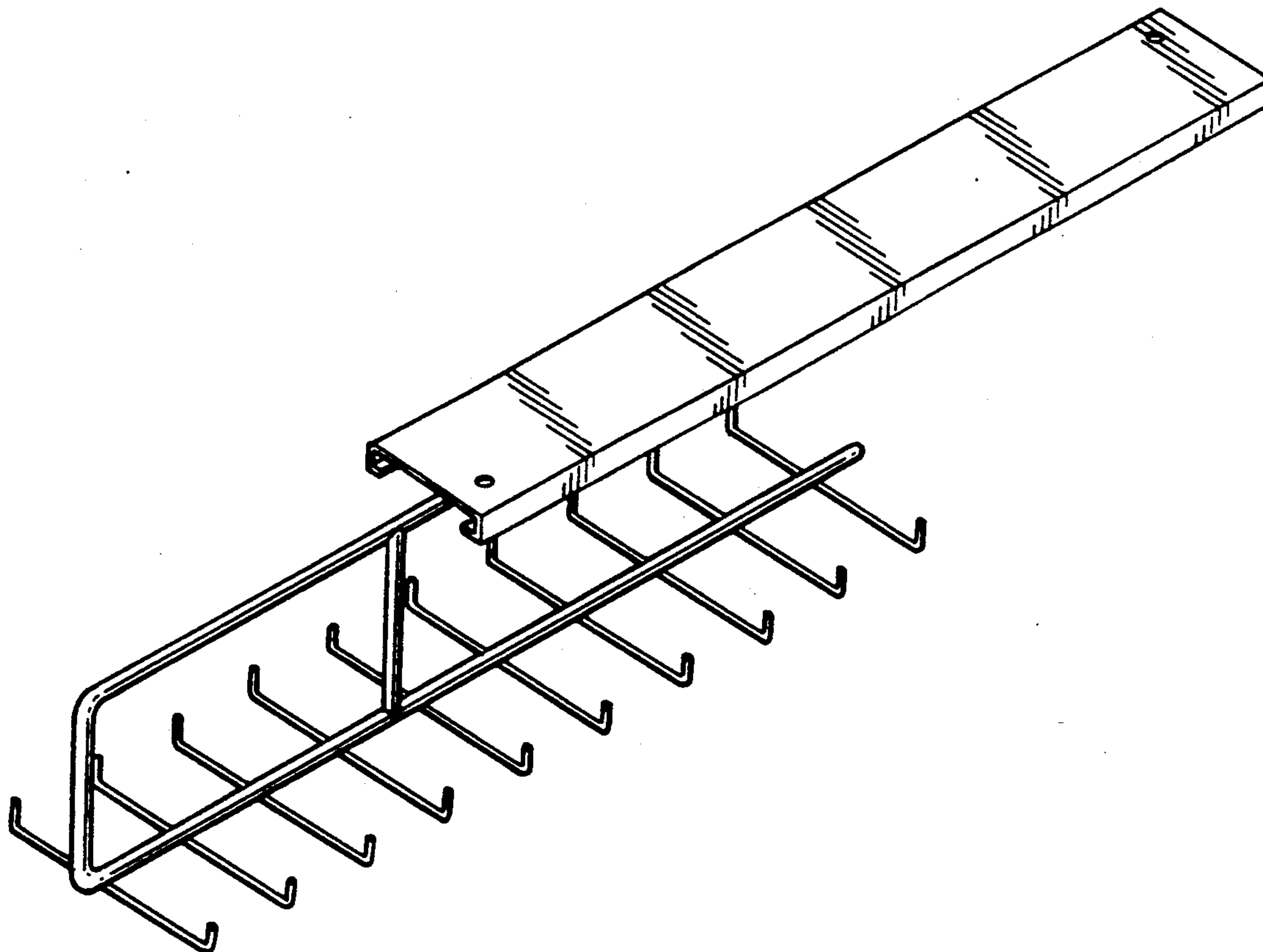


Fig 1

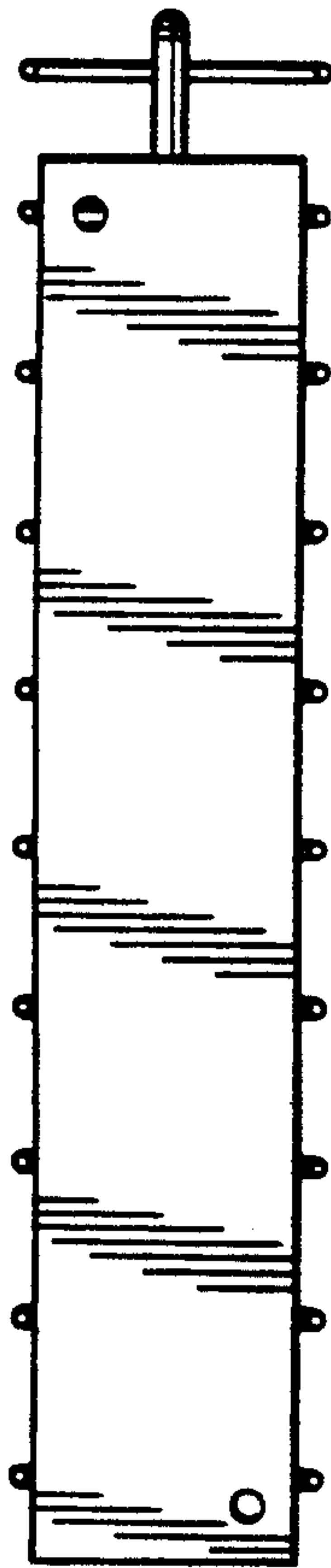


Fig 2

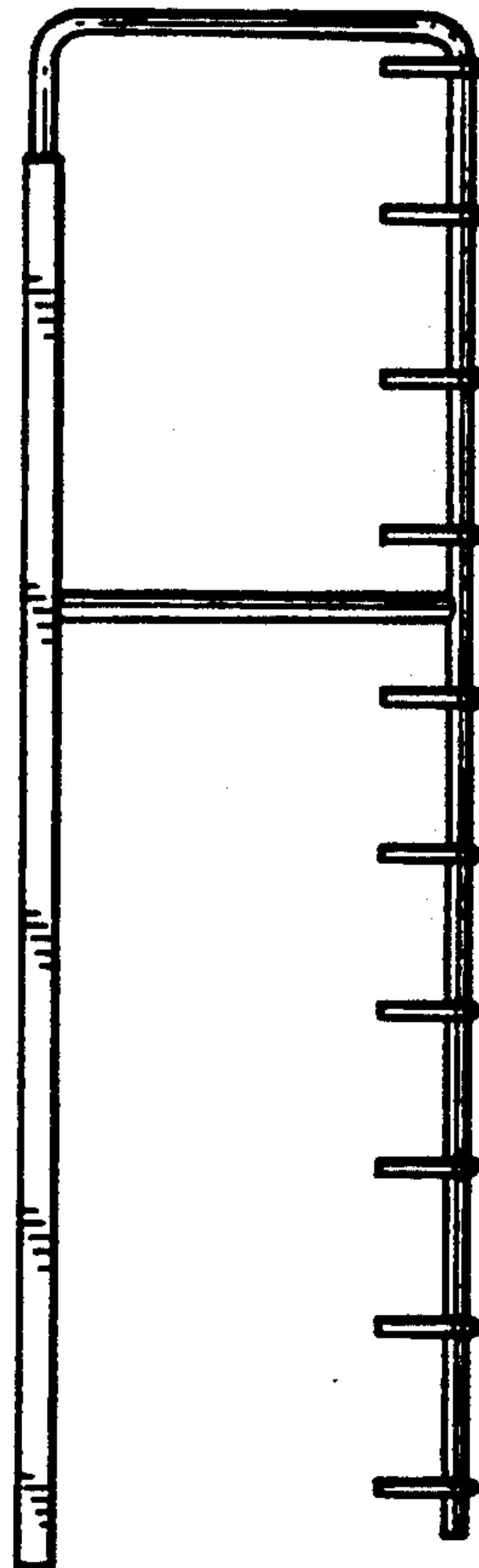


Fig 4

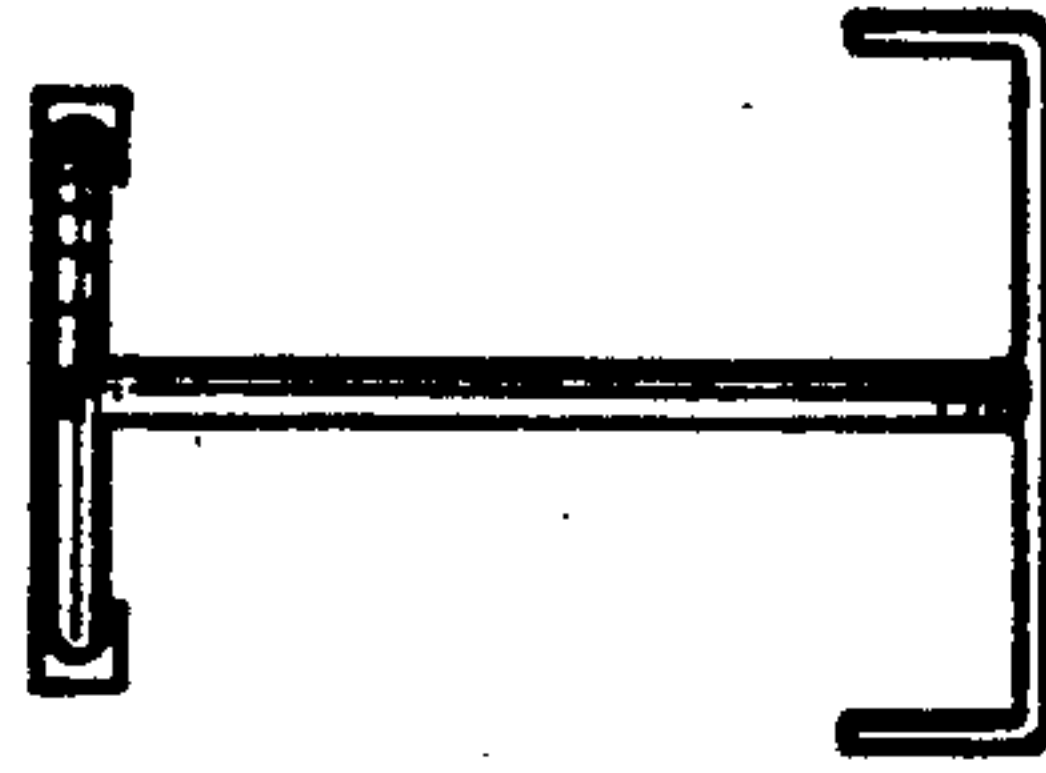


Fig 3

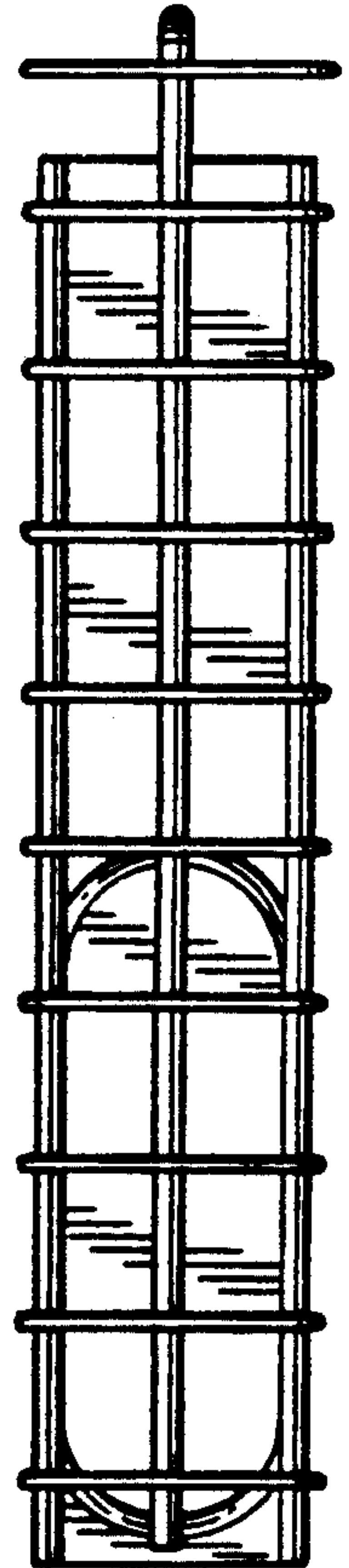


Fig 5

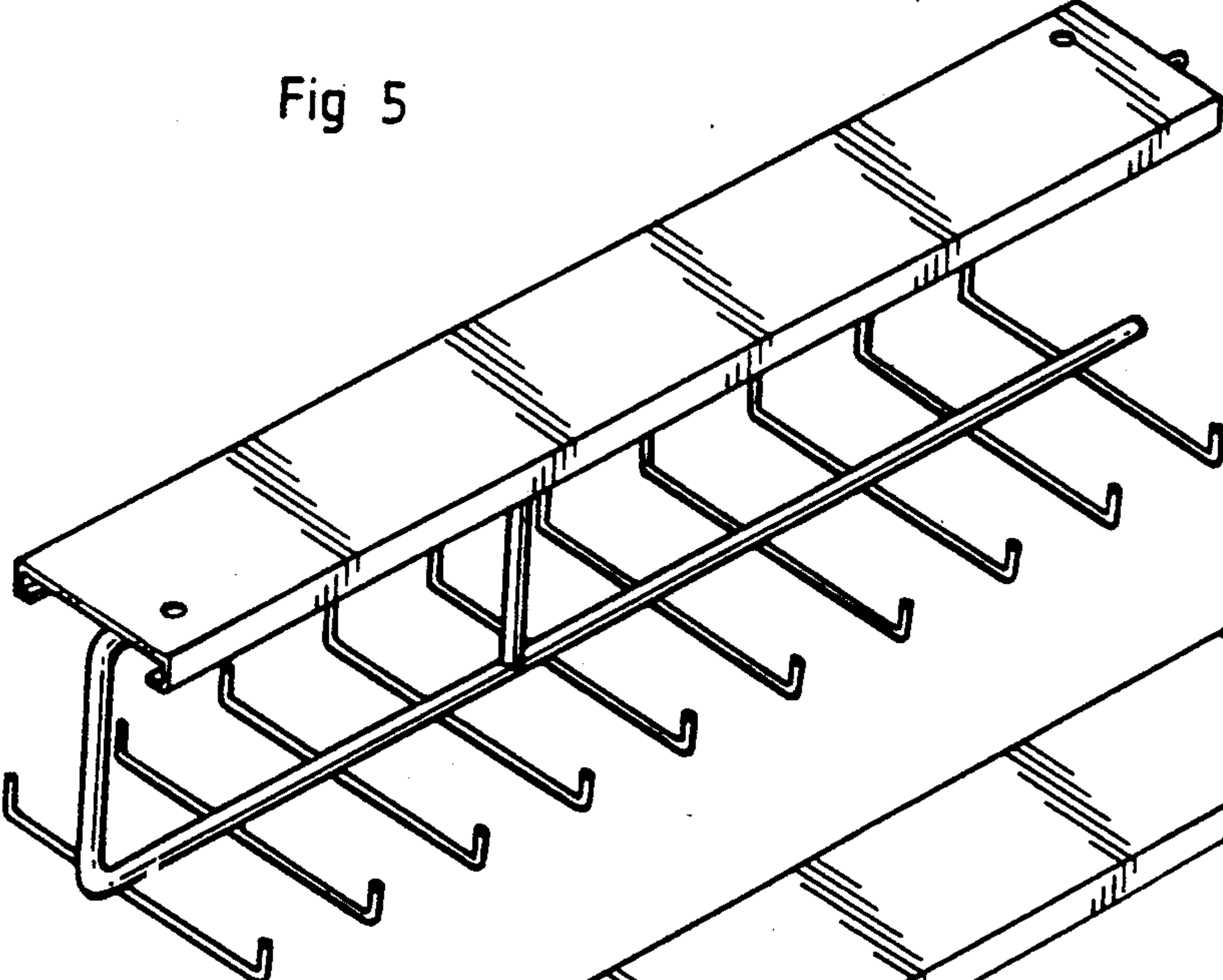


Fig 6

