



US00D334285S

United States Patent [19]

[11] Patent Number: **Des. 334,285**

Wilson

[45] Date of Patent: **** Mar. 30, 1993**

[54] **COMBINED RADIO AND POCKET BOOK COVER**

[76] Inventor: **Preston L. Wilson, 707 W. Queen St., Hampton, Va. 23669-3948**

[**] Term: **14 Years**

[21] Appl. No.: **564,300**

[22] Filed: **Aug. 8, 1990**

[52] U.S. Cl. **D3/43; D3/44; D14/168**

[58] Field of Search **D3/41-46, D3/48-54, 66, 74-79; D9/305; D14/121, 168; 150/100, 103-108, 110-113, 117-119; 190/1, 100, 115, 107-112; 383/4, 6-8, 907**

[56] **References Cited**

U.S. PATENT DOCUMENTS

- D. 78,684 6/1929 Beck .
- D. 83,002 1/1931 Miller .
- D. 248,892 8/1978 Pflieger .
- D. 295,263 4/1988 Angell D14/121 X

- D. 296,780 7/1988 Kinoshita D14/121
- D. 302,603 8/1989 Whiton D14/121 X
- D. 302,766 8/1989 Johnston D14/168 X
- D. 302,903 8/1989 Johnston D3/43
- D. 304,881 2/1989 Zinbarg et al. D3/43
- D. 309,900 8/1990 Illsley D14/168

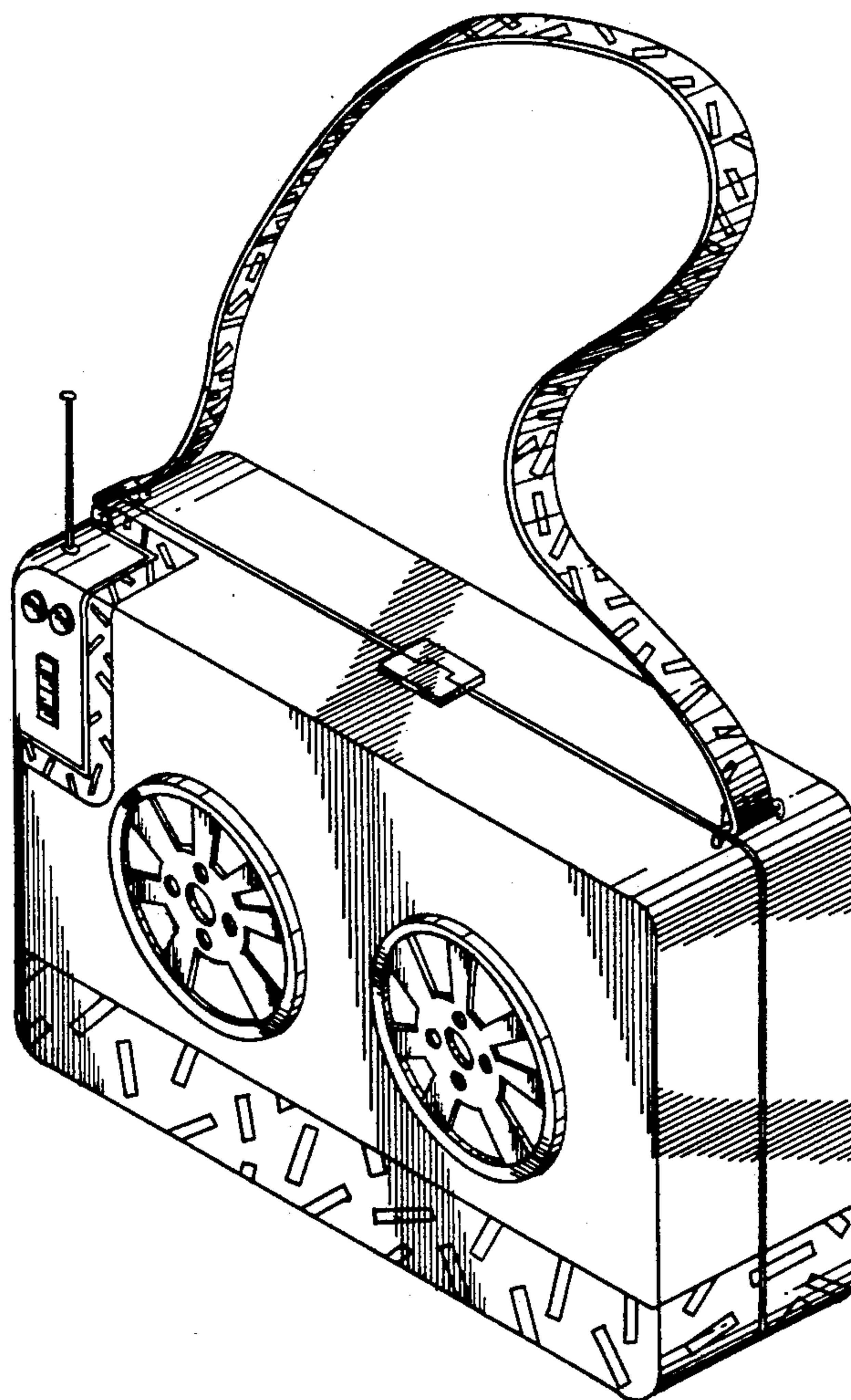
Primary Examiner—Louis S. Zarfes
Attorney, Agent, or Firm—Terry M. Gernstein

[57] **CLAIM**

The ornamental design for a combined radio and pocket book cover, as shown and described.

DESCRIPTION

FIG. 1 is a perspective view of a combined radio and pocket book cover having my new design; FIG. 2 is a front elevational view thereof, the rear elevational view being a mirror image of the front shown in FIG. 2 with the exception of the radio; FIG. 3 is an end elevational view; FIG. 4 is an end elevational view; and, FIG. 5 is a top plan view thereof, the pattern shown being continued on the bottom with the exception of the radio and the latch.



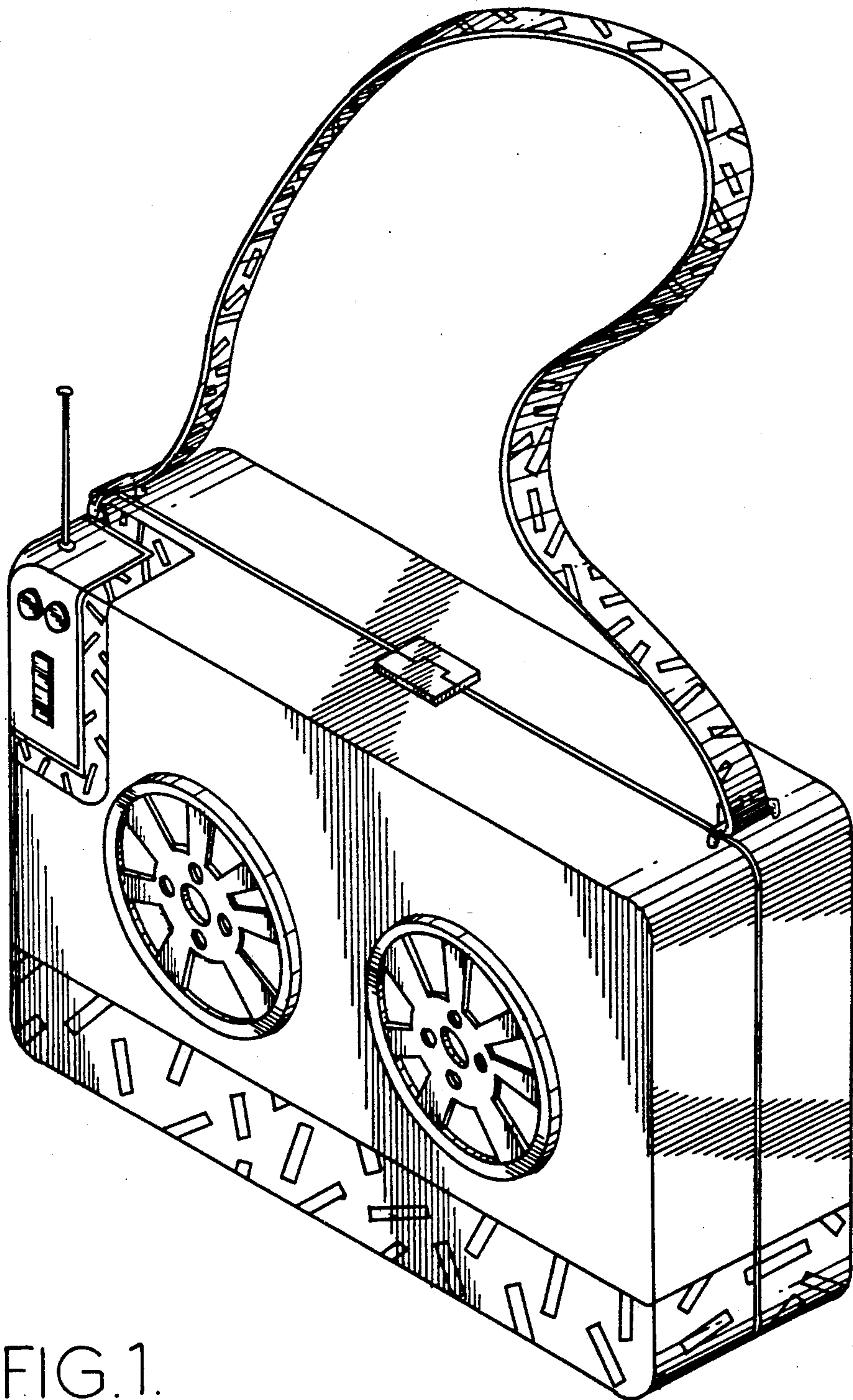


FIG. 1.

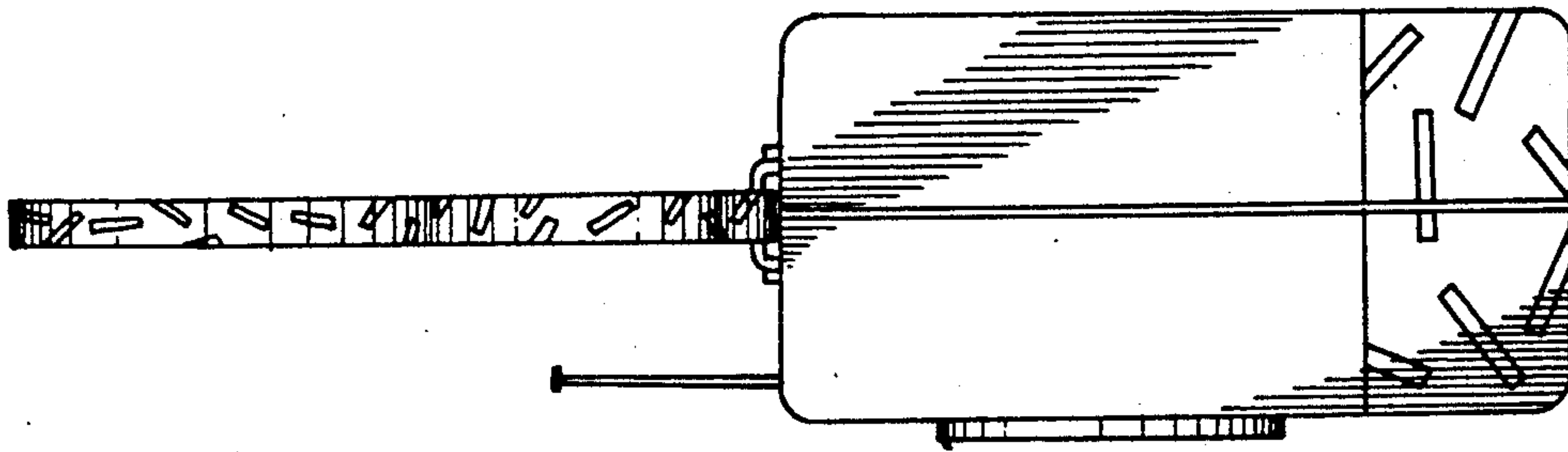


FIG. 3

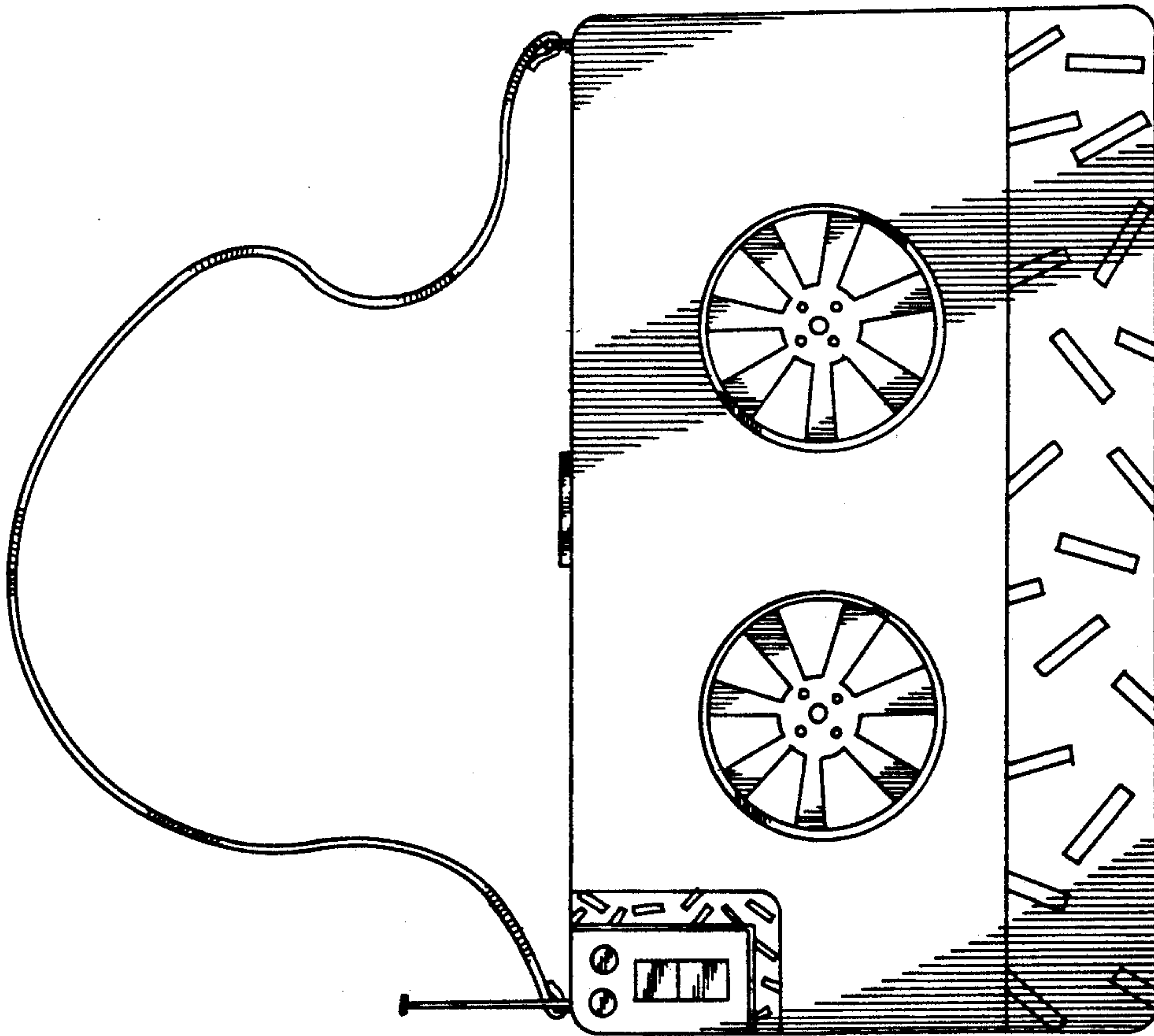


FIG. 2.

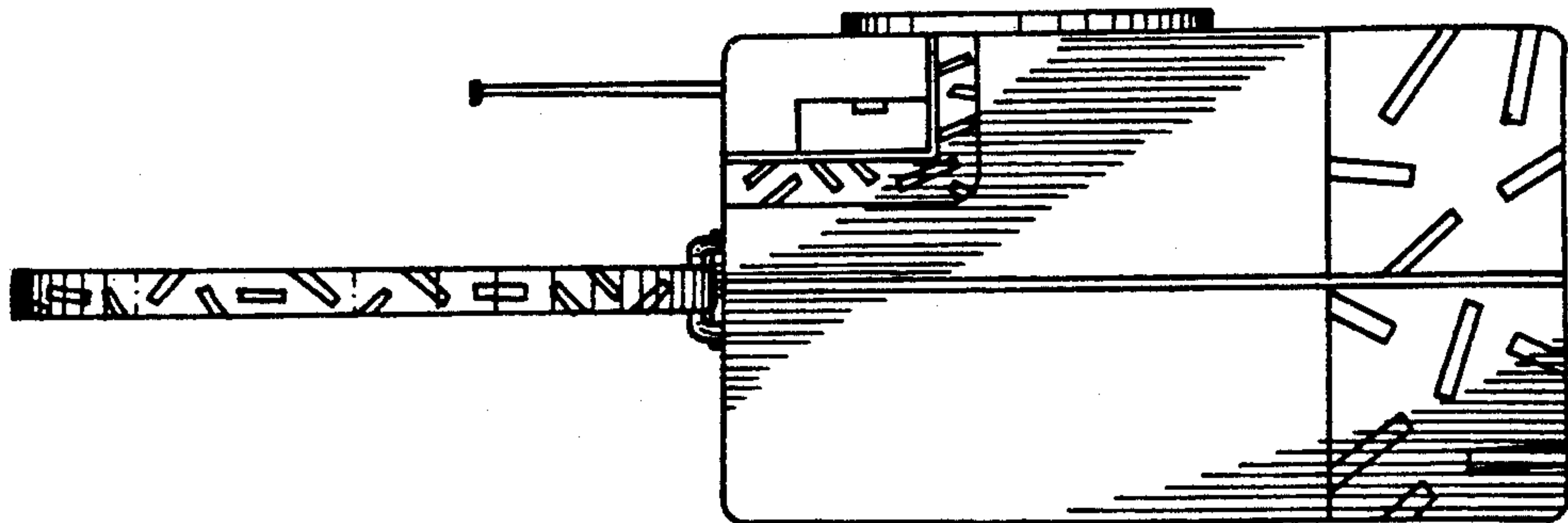


FIG. 4.

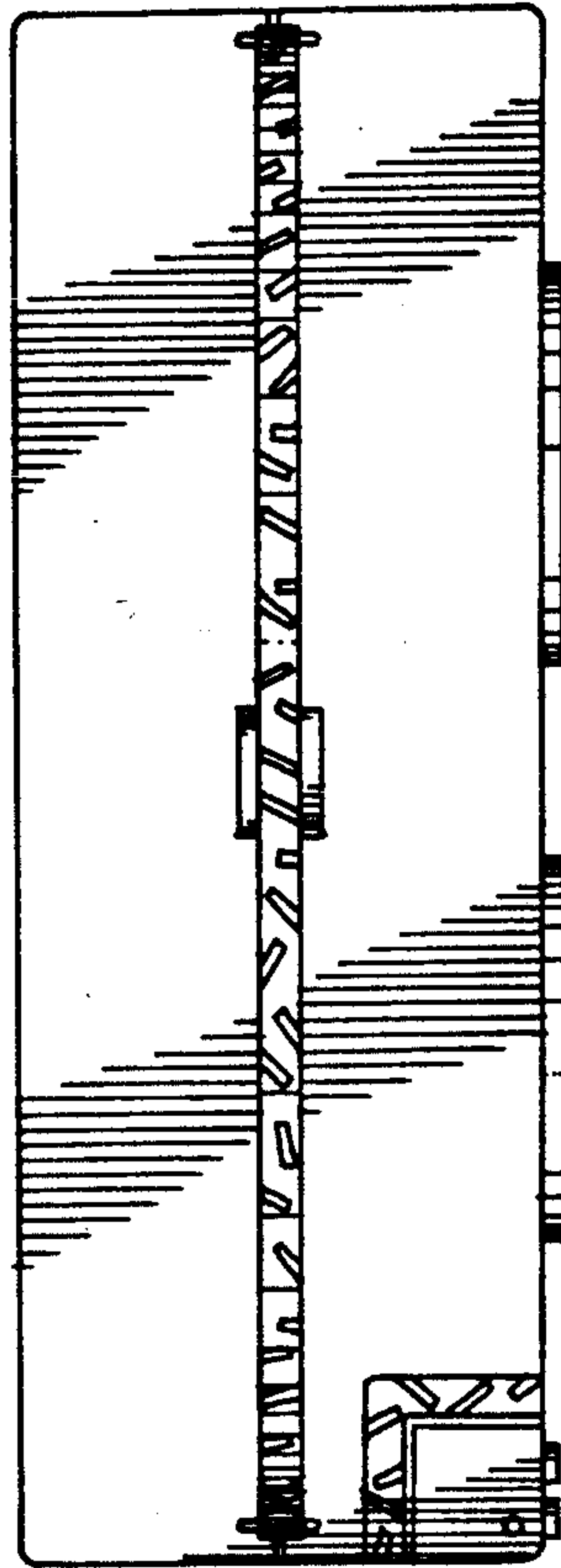


FIG. 5.