



US00D334259S

# United States Patent [19]

[11] Patent Number: **Des. 334,259**

Pino

[45] Date of Patent: **\*\* Mar. 23, 1993**

[54] **COMBINED RESERVOIR AND WHEELED BASE ASSEMBLY FOR A VACUUM CLEANER**

*Primary Examiner*—Wallace R. Burke  
*Assistant Examiner*—Lavone D. Tabor  
*Attorney, Agent, or Firm*—Price, Heneveld, Cooper, DeWitt & Litton

[75] Inventor: **Giovanni Pino, Kentwood, Mich.**

[73] Assignee: **Bissell Inc., Grand Rapids, Mich.**

[\*\*] Term: **14 Years**

[21] Appl. No.: **479,582**

[22] Filed: **Feb. 13, 1990**

[52] U.S. Cl. .... **D32/31; D32/53**

[58] Field of Search ..... **D32/1, 15, 21, 35, 53, D32/53.1, 31; D34/5, 14; 15/264, 320-321; 220/23.2, 23.8; 280/79.2, 79.4-79.6**

[56] **References Cited**

**U.S. PATENT DOCUMENTS**

D. 264,591	5/1982	Jacobs	.....	D32/21
D. 309,515	7/1990	Robinson	.....	D32/53
D. 325,451	4/1992	Pino	.....	D32/21
2,321,981	6/1943	Bowers	.....	280/79.5 X
3,031,207	4/1962	Bard	.....	280/79.2 X
4,319,761	3/1982	Wells	.....	15/264 X

[57] **CLAIM**

The ornamental design for a combined reservoir and wheeled base assembly for a vacuum cleaner, as shown and described.

**DESCRIPTION**

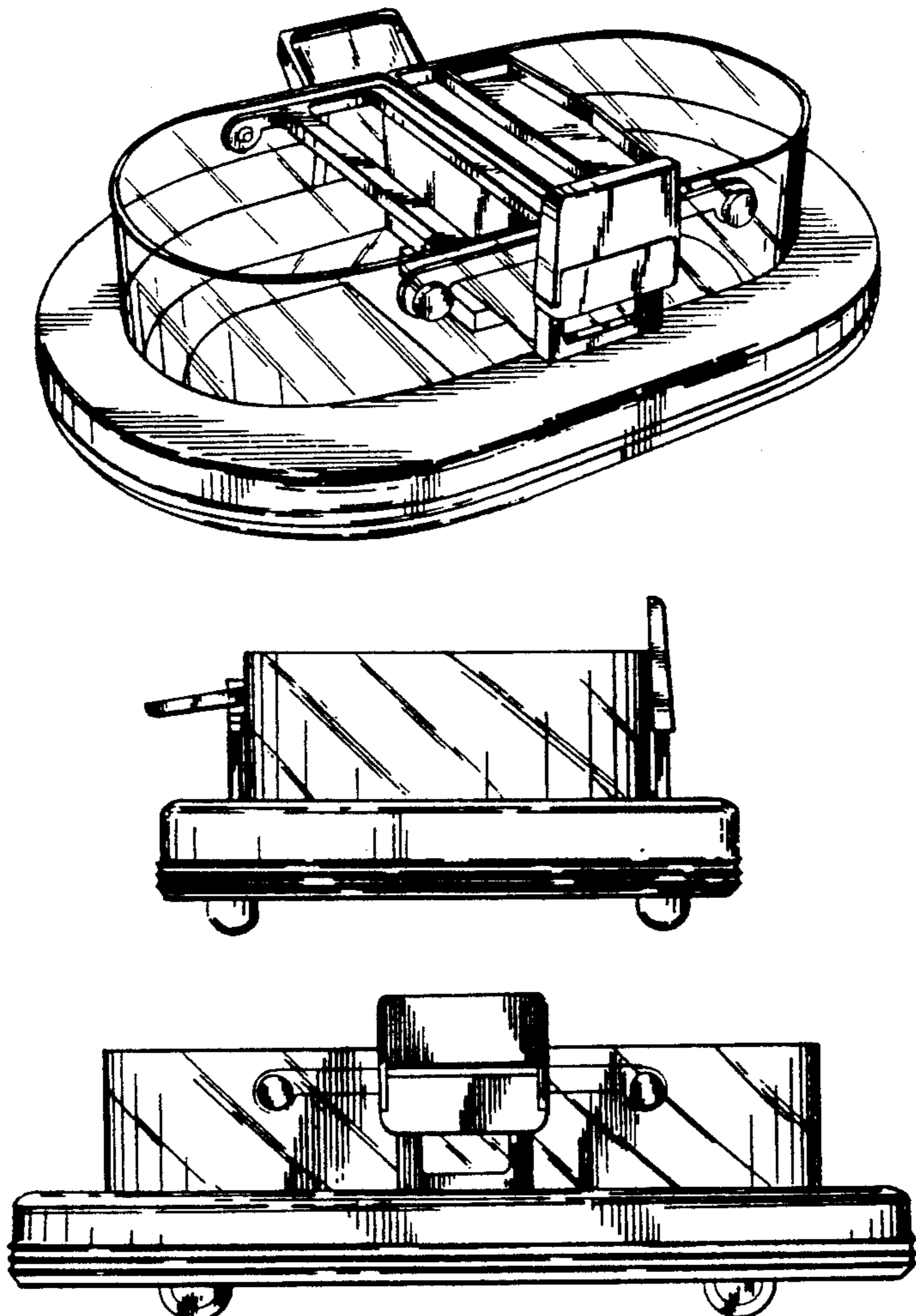
FIG. 1 is a perspective view of a combined reservoir and wheeled base assembly for a vacuum cleaner showing my new design with the clamp on the near side being in closed position and the clamp on the opposing side being in open position;

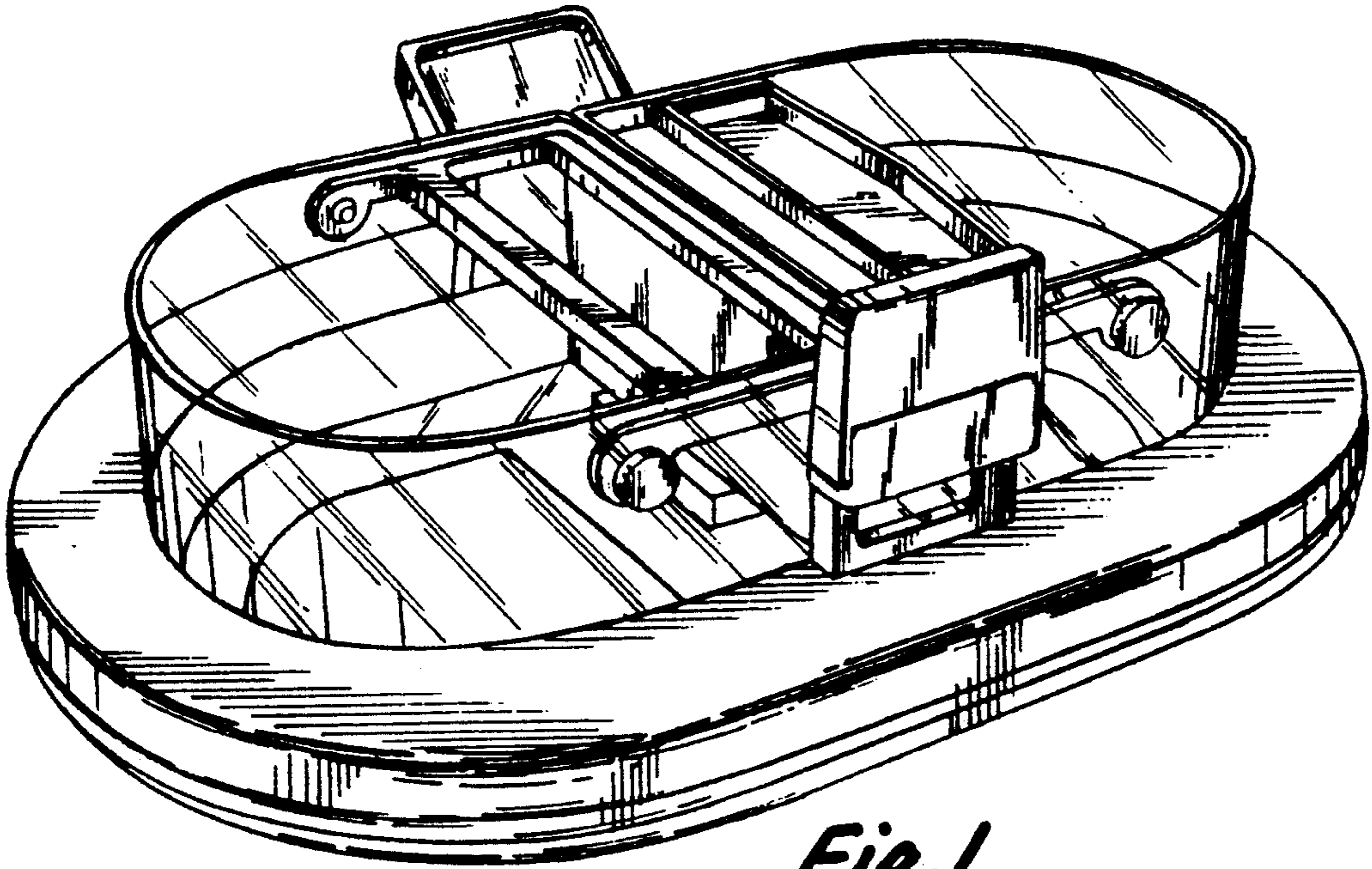
FIG. 2 is a top plan view thereof;

FIG. 3 is a front end elevational view thereof, the rear end being a mirror image;

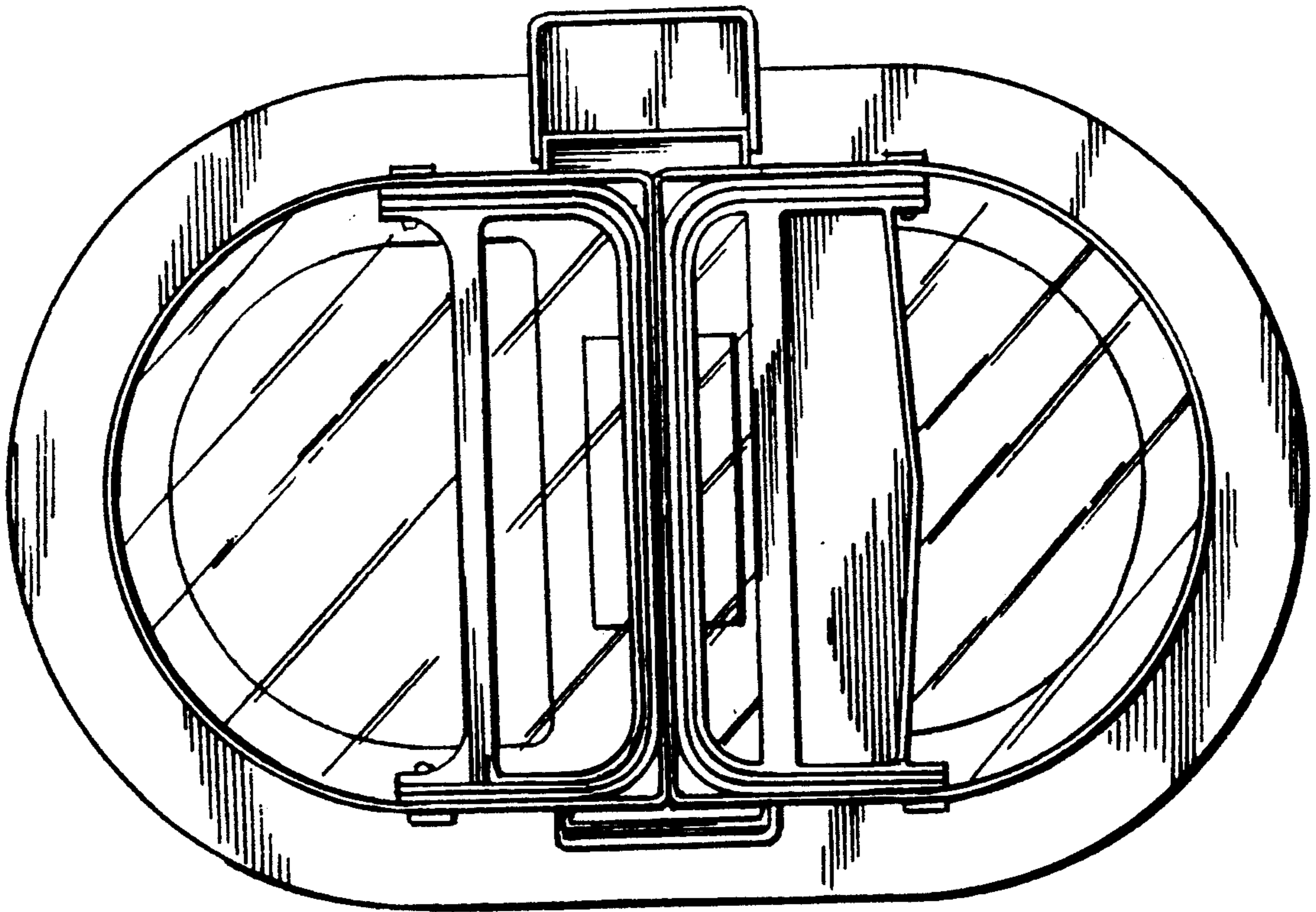
FIG. 4 is a side elevational view thereof with the clamps in closed position, the opposite side being a mirror image; and,

FIG. 5 is a bottom plan view thereof.



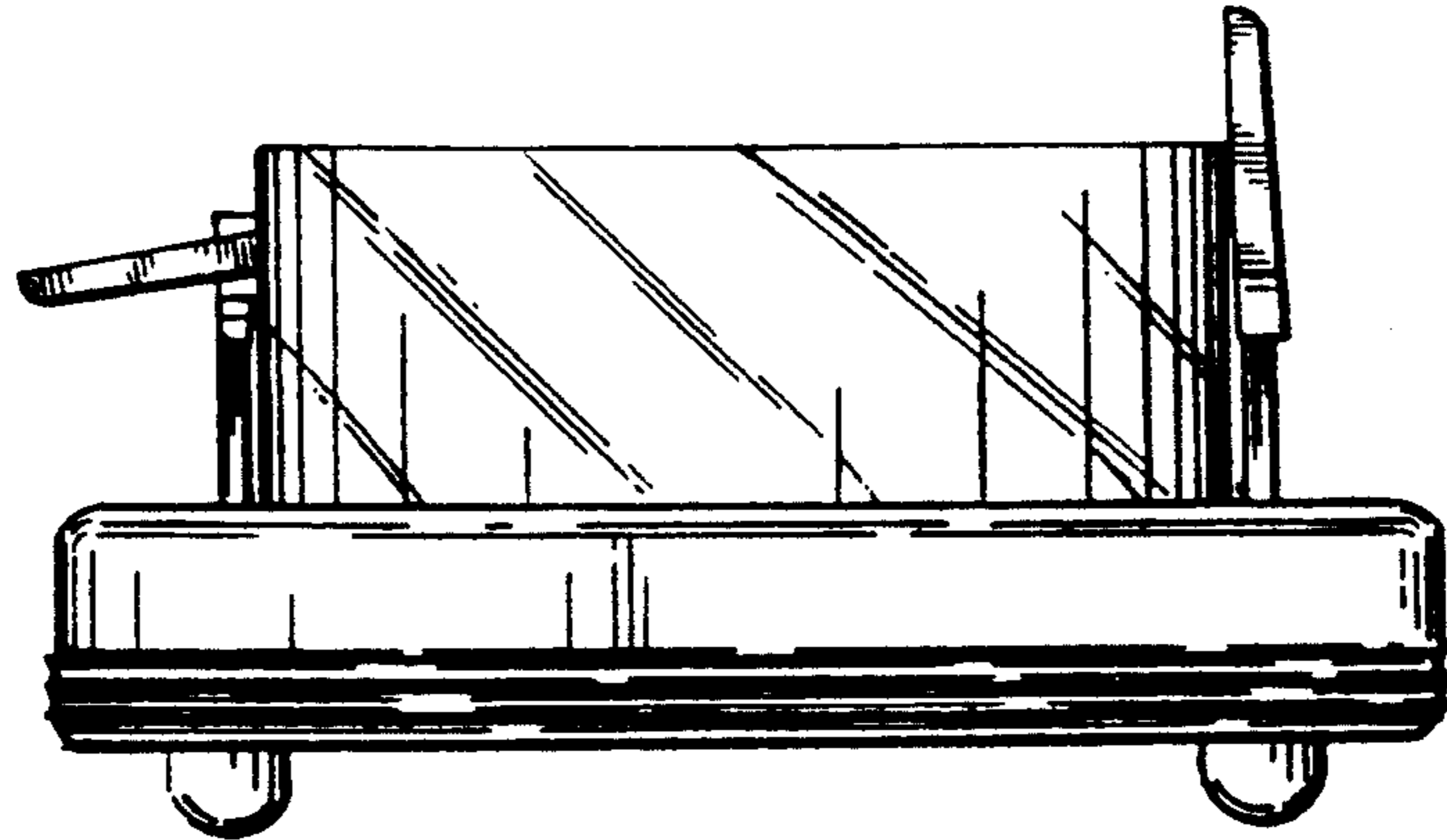


*Fig. 1.*

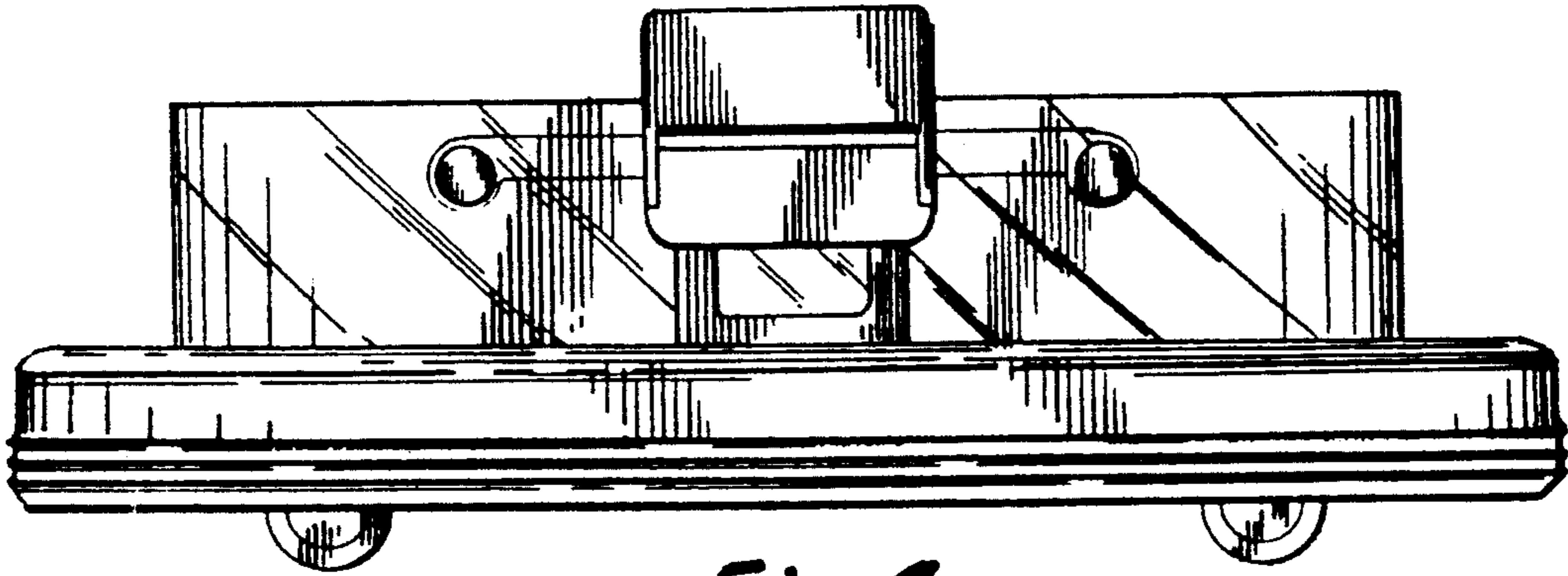


*Fig. 2.*

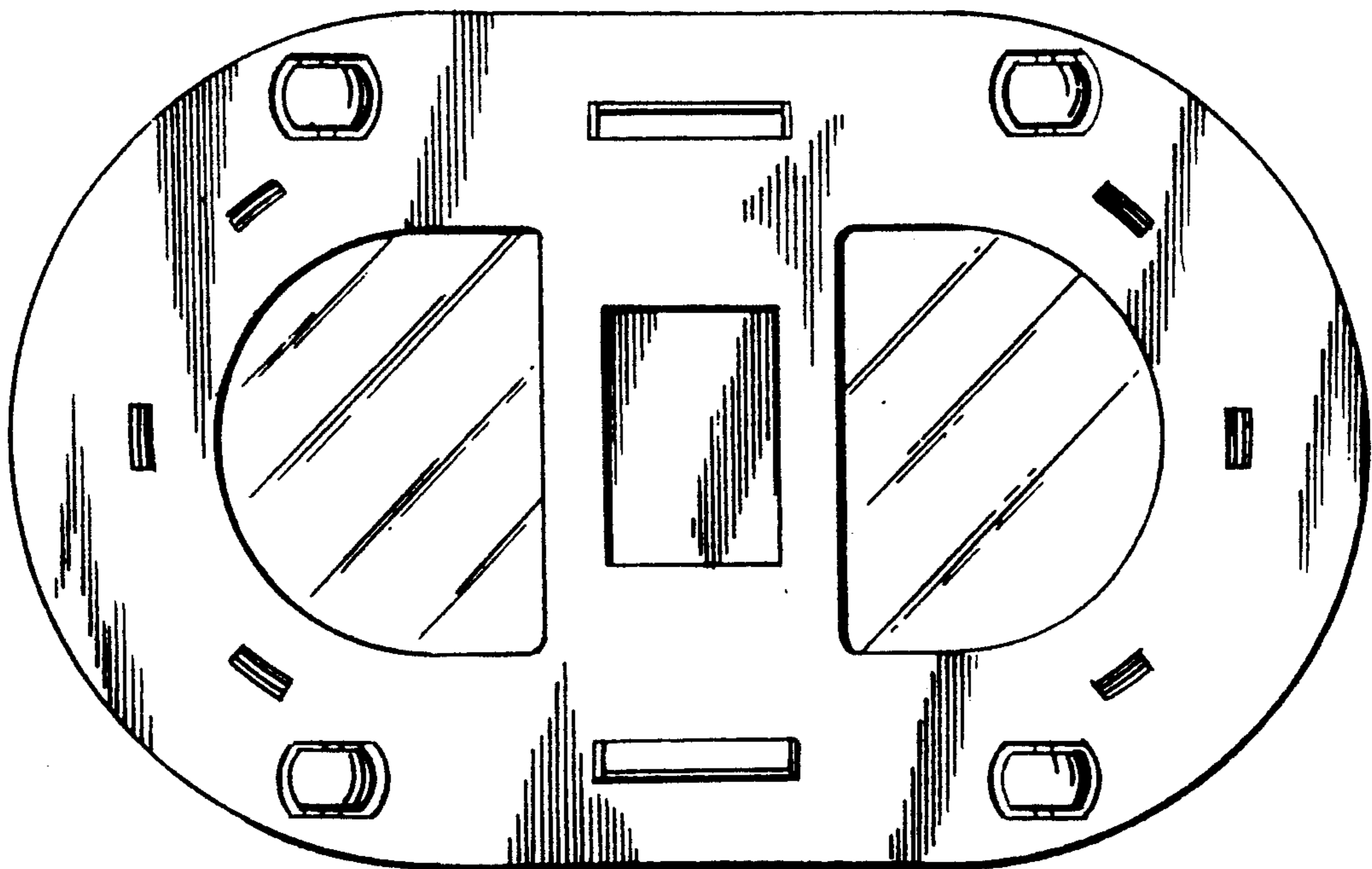




*Fig. 3.*



*Fig. 4.*



*Fig. 5.*