



US00D334258S

United States Patent [19]
Oberdorfer-Bogel

[11] **Patent Number: Des. 334,258**
[45] **Date of Patent: ** Mar. 23, 1993**

[54] **VACUUM CLEANER**

[75] **Inventor: Rainer Oberdorfer-Bogel,**
Kirchberg/Iller, Fed. Rep. of
Germany

[73] **Assignee: Wap Reinigungssysteme GmbH &**
Co., Bellenberg, Fed. Rep. of
Germany

[**] **Term: 14 Years**

[21] **Appl. No.: 847,239**

[22] **Filed: Mar. 3, 1992**

Related U.S. Application Data

[62] Division of Ser. No. 524,098, May 10, 1990.

[30] **Foreign Application Priority Data**

Oct. 18, 1989 [DE] Fed. Rep. of
Germany M8997254.5

[52] **U.S. Cl. D32/23**

[58] **Field of Search D32/21, 23, 24;**
15/327.1, 327.2, 327.4, 327.6, 327.7, 347, 412,
347

[56] **References Cited**

U.S. PATENT DOCUMENTS

D. 178,199	7/1956	Marhnec	D32/23
D. 224,624	8/1972	Walz et al.	D32/23
D. 258,064	1/1981	Pearman, Jr.	D32/23
D. 280,768	9/1985	Ferrans et al.	D32/23
D. 296,945	7/1988	Erickson, Jr.	D32/23

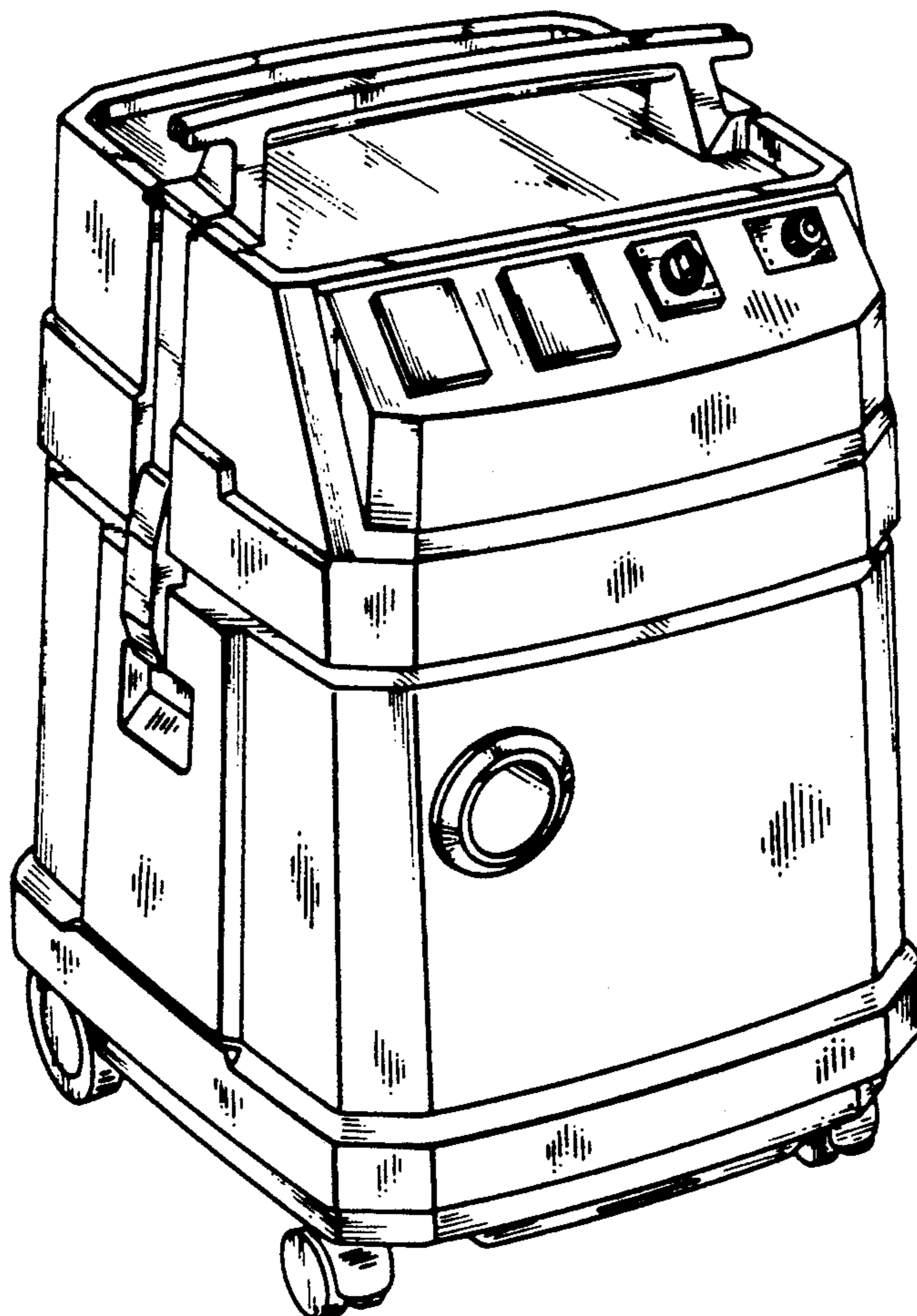
Primary Examiner—A. Hugo Word
Assistant Examiner—Ruth McInroy
Attorney, Agent, or Firm—Robbins, Dalgarn, Berliner &
Carson

[57] **CLAIM**

The ornamental design of a vacuum cleaner, as shown
and described.

DESCRIPTION

FIG. 1 is a top, front and left side perspective view of a
vacuum cleaner showing my new design;
FIG. 2 is a front elevational view thereof;
FIG. 3 is a rear elevational view thereof;
FIG. 4 is a left side elevational view thereof;
FIG. 5 is a top plan view thereof;
FIG. 6 is a right side elevational view thereof; and,
FIG. 7 is a bottom plan view thereof.



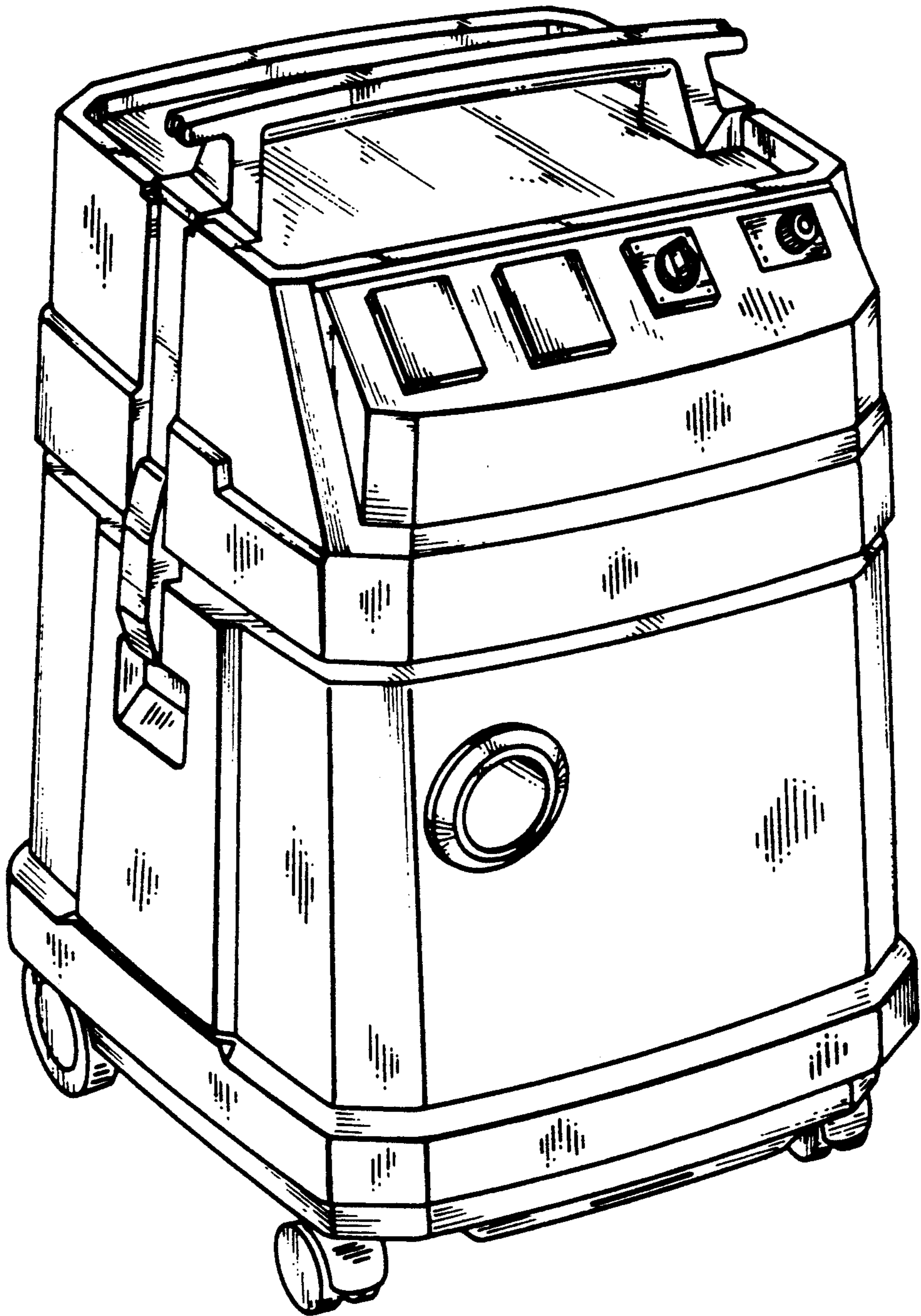


Fig. 1

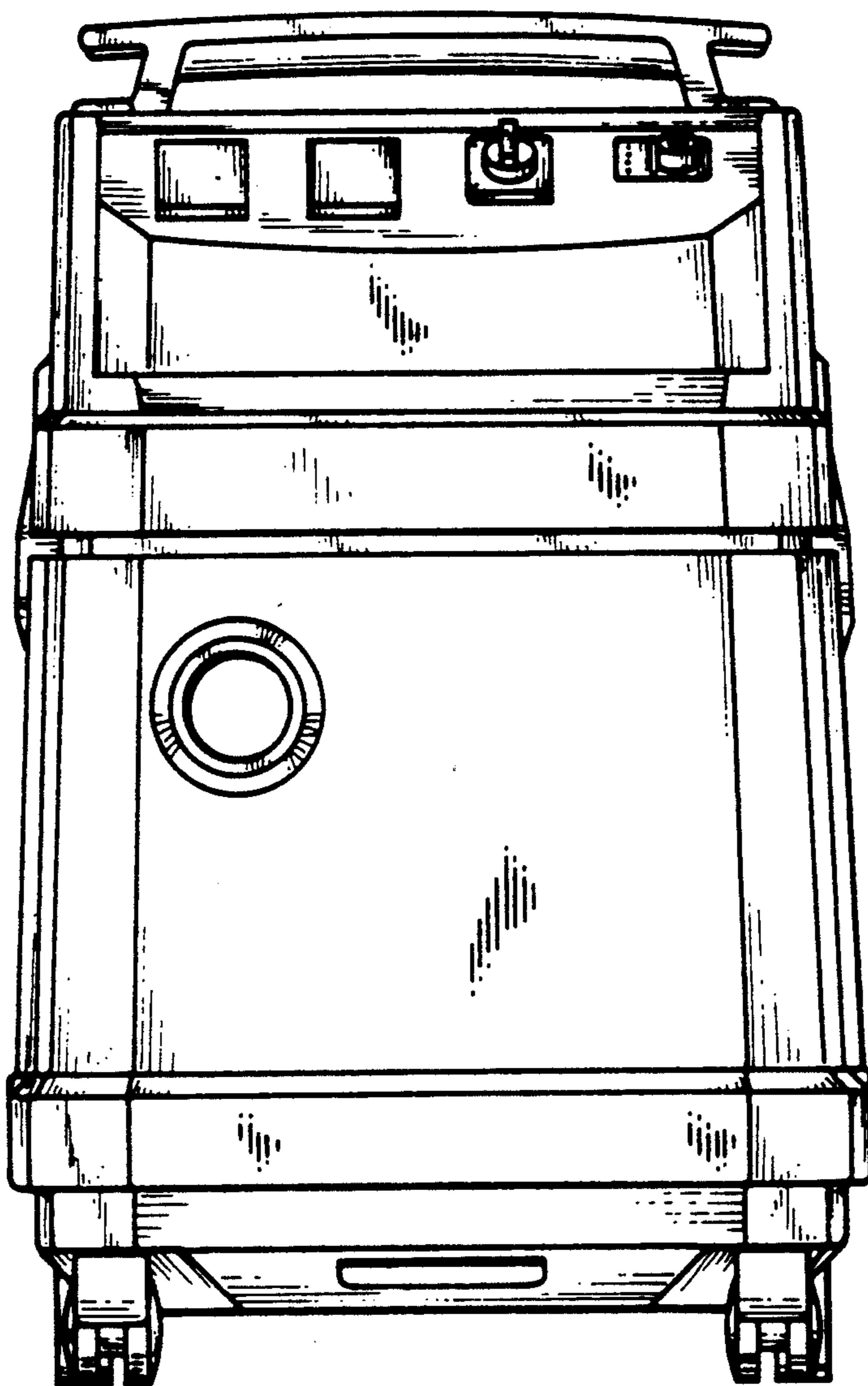


Fig. 2

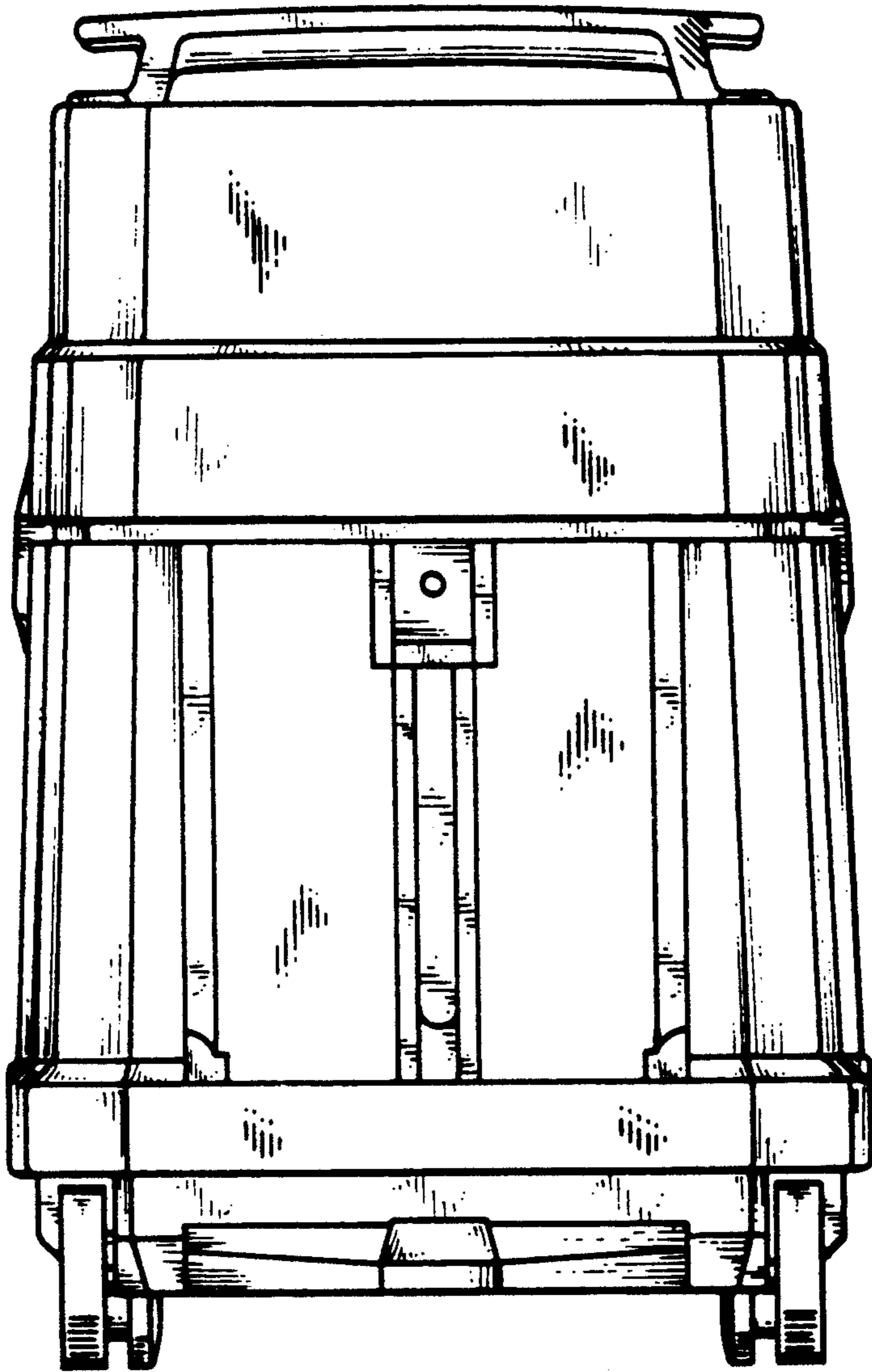


Fig. 3

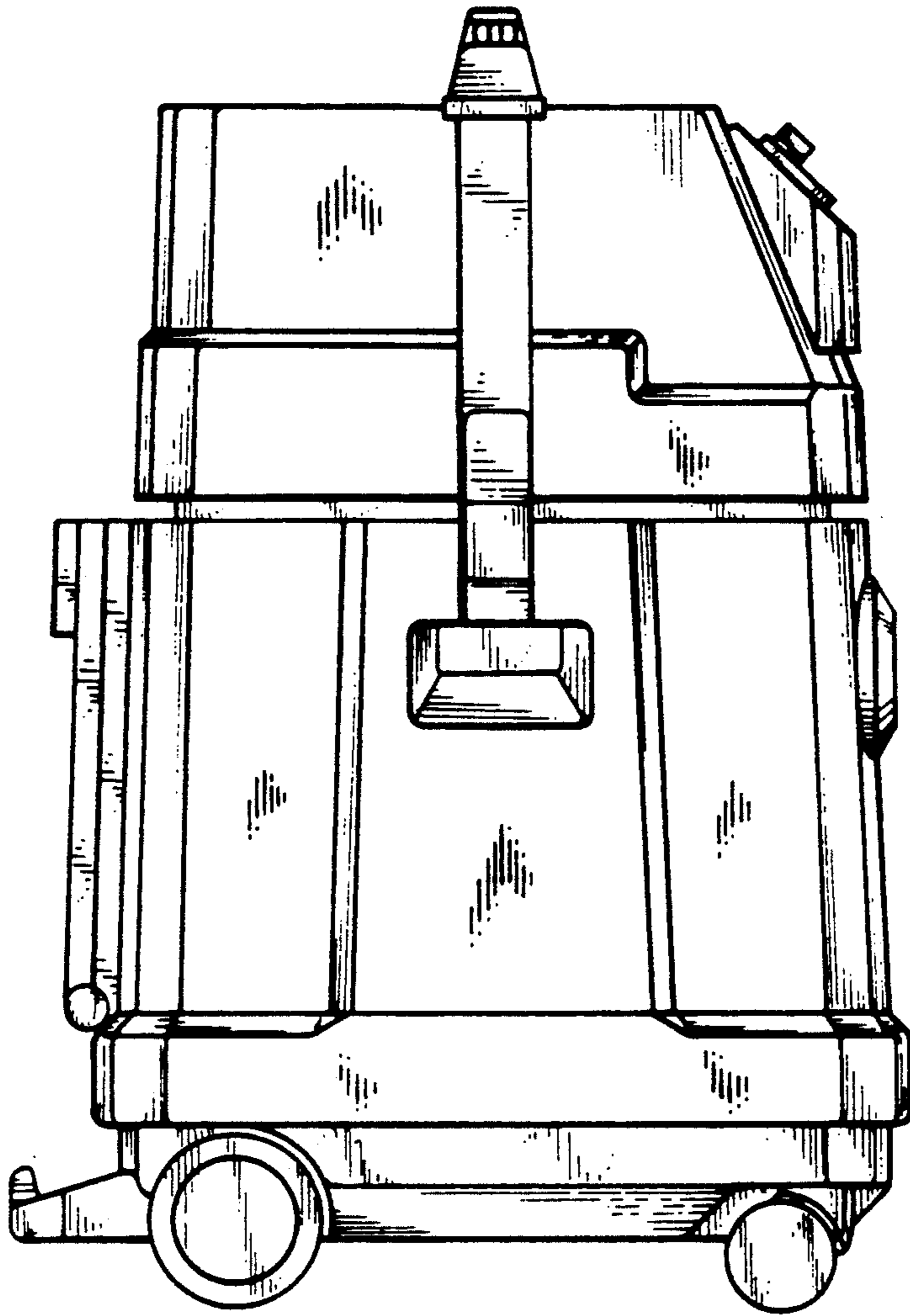


Fig. 4

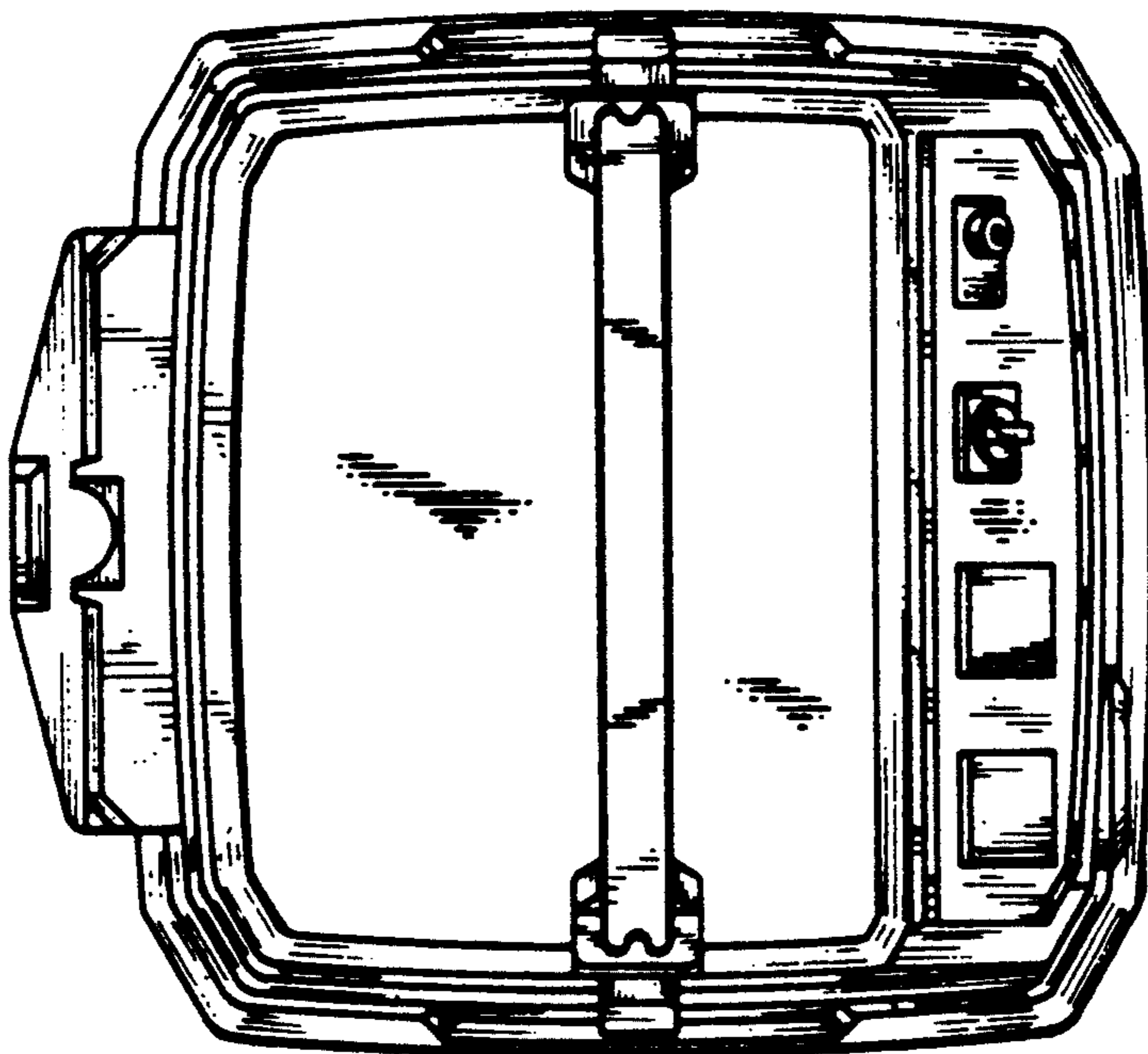


Fig. 5

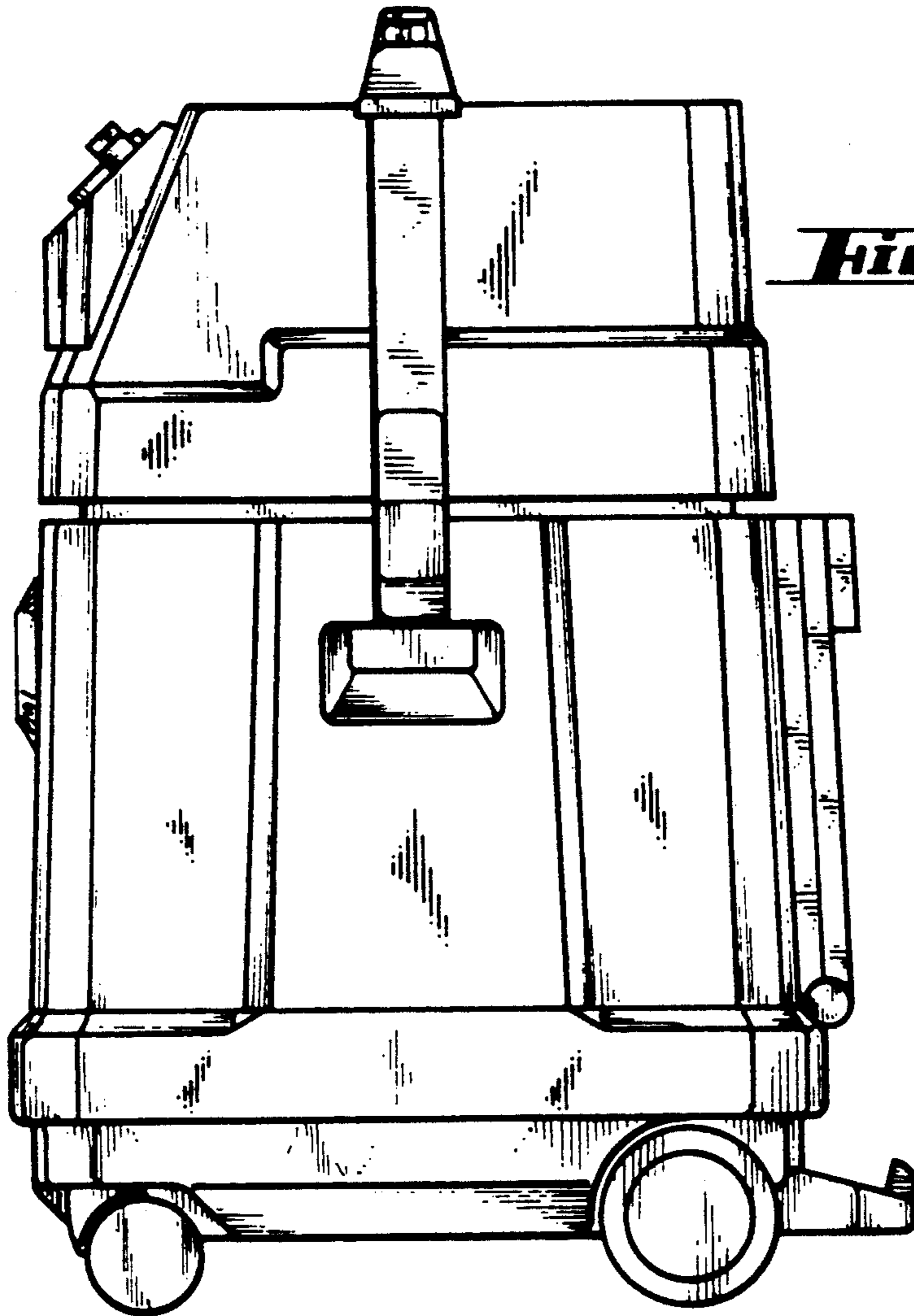


Fig. 6

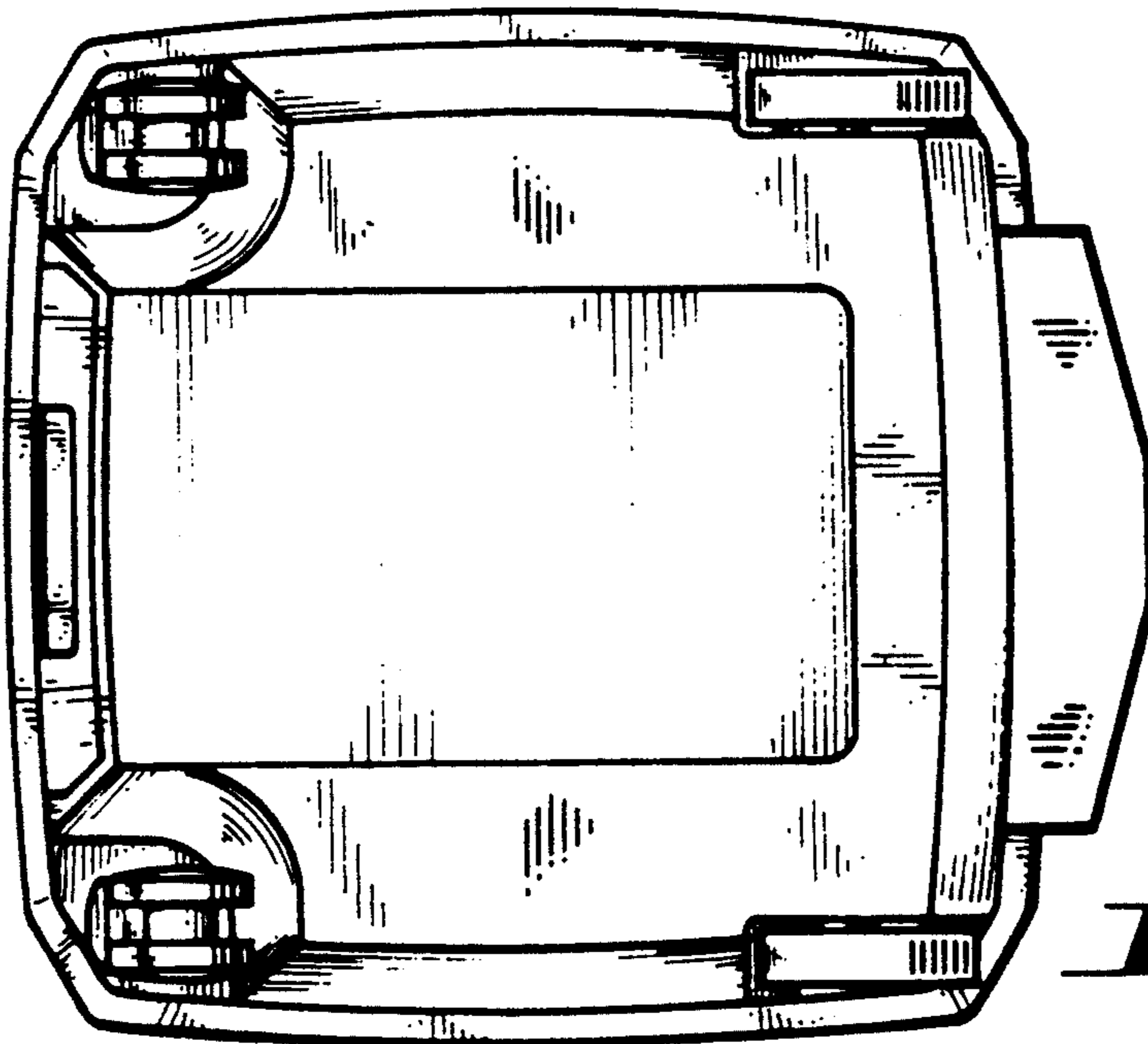


Fig. 7