



US00D334257S

United States Patent [19]

[11] Patent Number: **Des. 334,257**

Lawrence et al.

[45] Date of Patent: **** Mar. 23, 1993**

[54] **VACUUM CLEANER WITH HEADLIGHT**

4,791,700 12/1988 Bigley et al. 15/324

[75] Inventors: **Randall K. Lawrence**, Bristol, Tenn.;
Joel S. Bennett, Greensboro, N.C.

FOREIGN PATENT DOCUMENTS

25106 11/1962 Canada .

[73] Assignee: **Electrolux Corporation**, Marietta, Ga.

Primary Examiner—A. Hugo Word
Assistant Examiner—Ruth McInroy
Attorney, Agent, or Firm—Jeffrey H. Ingerman

[**] Term: **14 Years**

[21] Appl. No.: **750,548**

[57] CLAIM

[22] Filed: **Aug. 27, 1991**

The ornamental design for a vacuum cleaner with headlight, as shown and described.

[52] U.S. Cl. **D32/22**

[58] Field of Search **D32/21, 22, 32-34;**
15/323-326, 327.6, 335, 350-351, 361, 377, 412

DESCRIPTION

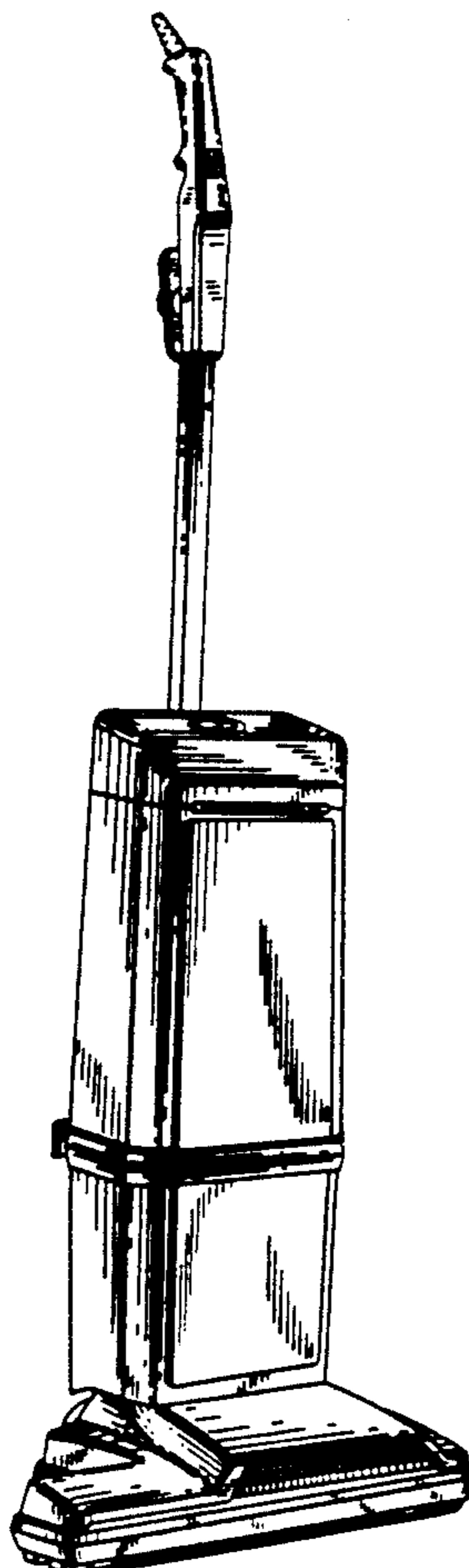
[56] References Cited

U.S. PATENT DOCUMENTS

D. 260,900	9/1981	Kao	D32/22
D. 275,428	9/1984	Wareham	D32/22
D. 299,176	12/1988	Bowerman et al.	D32/22
D. 313,293	12/1990	Hohulin et al.	D32/22
D. 314,260	1/1991	Lee	D32/22
2,208,523	7/1940	Cullman	240/2
2,217,174	10/1940	Langille	240/2
2,274,971	3/1942	White	240/2
2,475,400	7/1949	Osborn	40/130
4,517,705	5/1985	Hug	D32/22
4,757,574	7/1988	Sumerau	15/324

FIG. 1 is a front, right, top perspective view of a vacuum cleaner with headlight, showing our new design; FIG. 2 is a front elevational view thereof; FIG. 3 is a left side elevational view thereof; FIG. 4 is a right side elevational view thereof; FIG. 5 is a top plan view thereof; FIG. 6 is a rear elevational view thereof; FIG. 7 is a bottom plan view thereof; and, FIG. 8 is an enlarged front elevational view of the base thereof.

The electric cord is shown broken away in FIGS. 1, 3, 4, 5 and 6 for ease of illustration and is understood to represent indeterminate length. The base is shown separately in FIG. 8 for clarity of illustration.



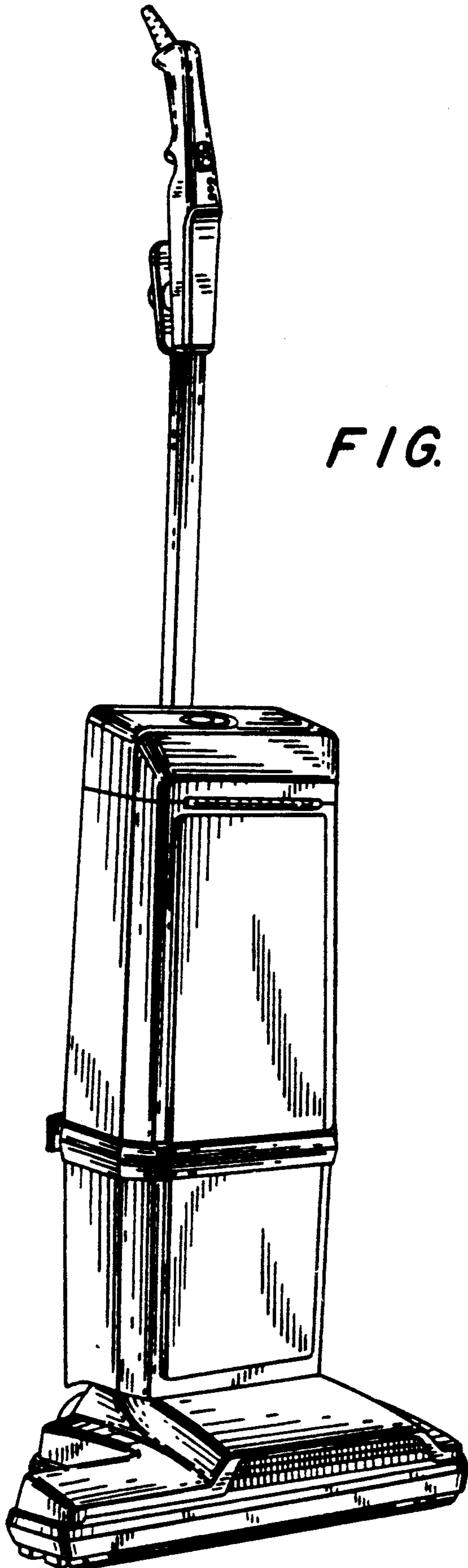


FIG. 1

FIG. 2

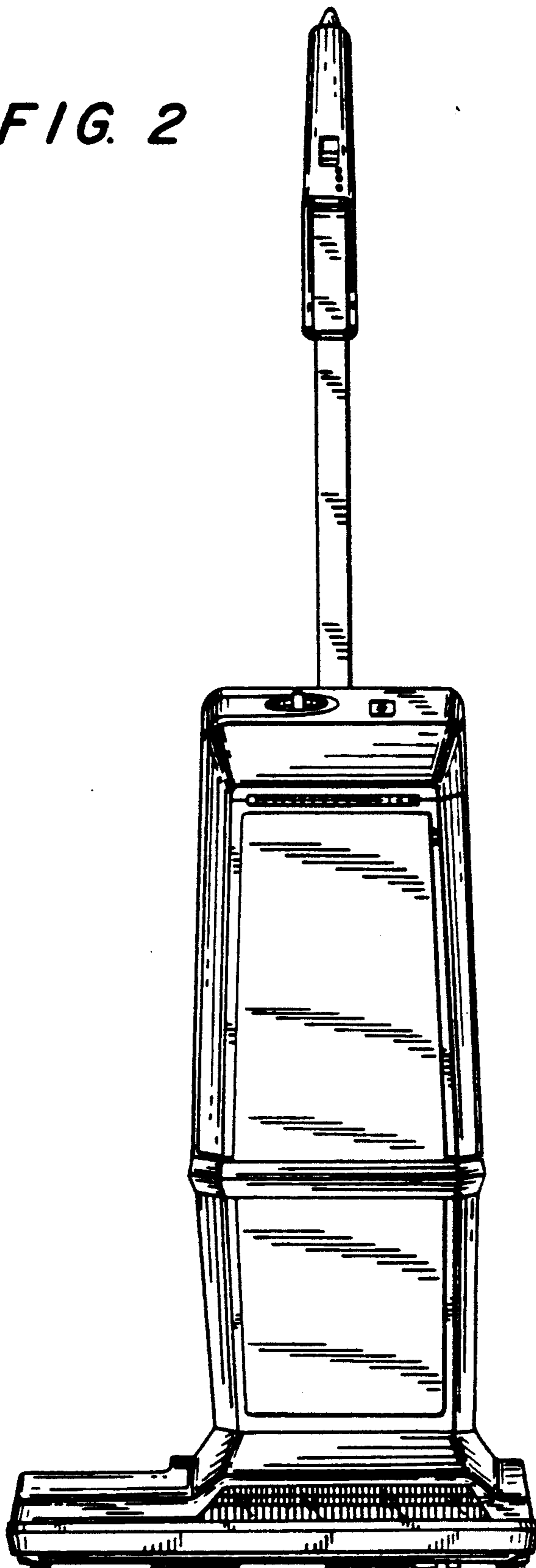
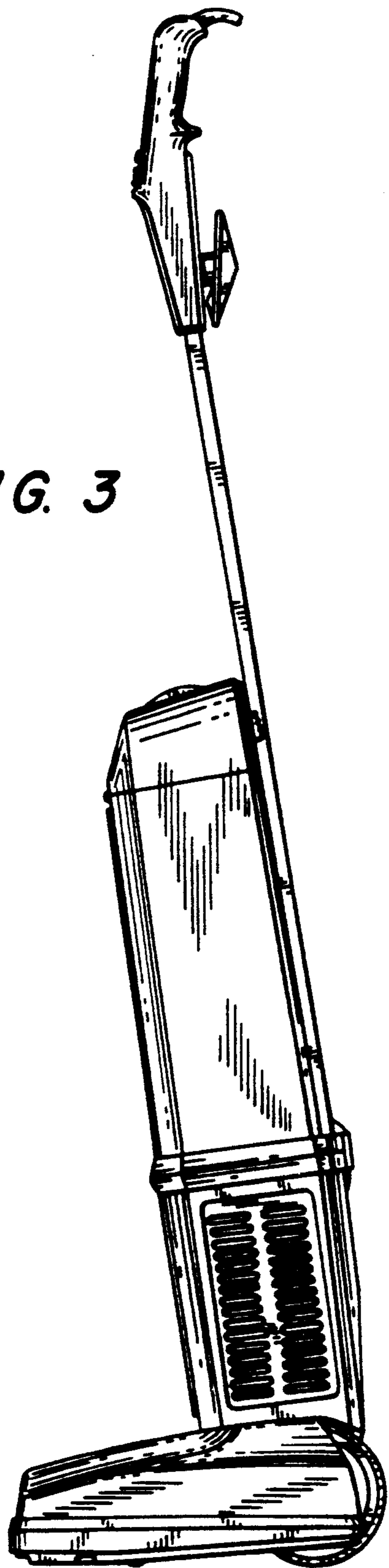


FIG. 3



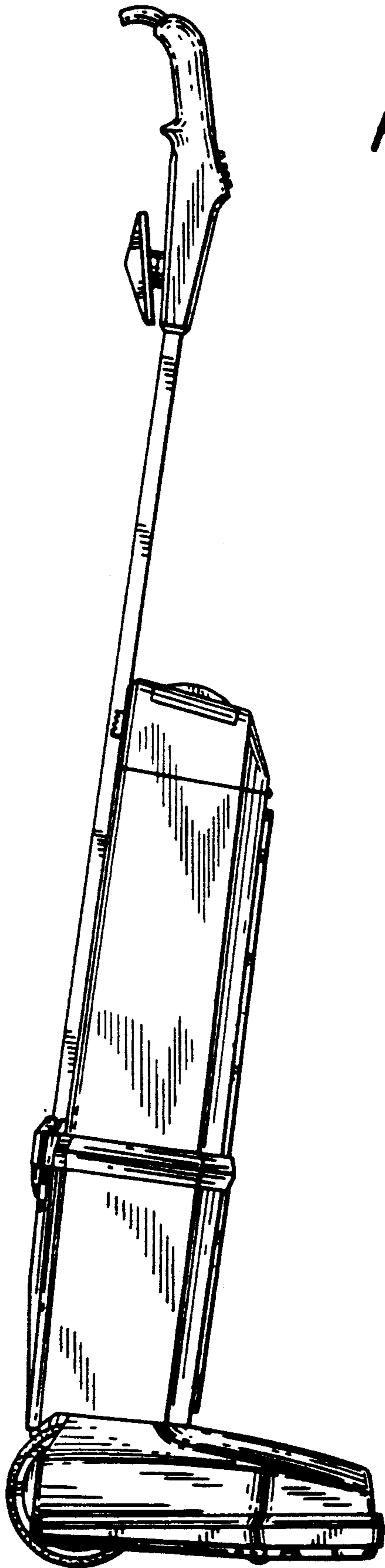


FIG. 4

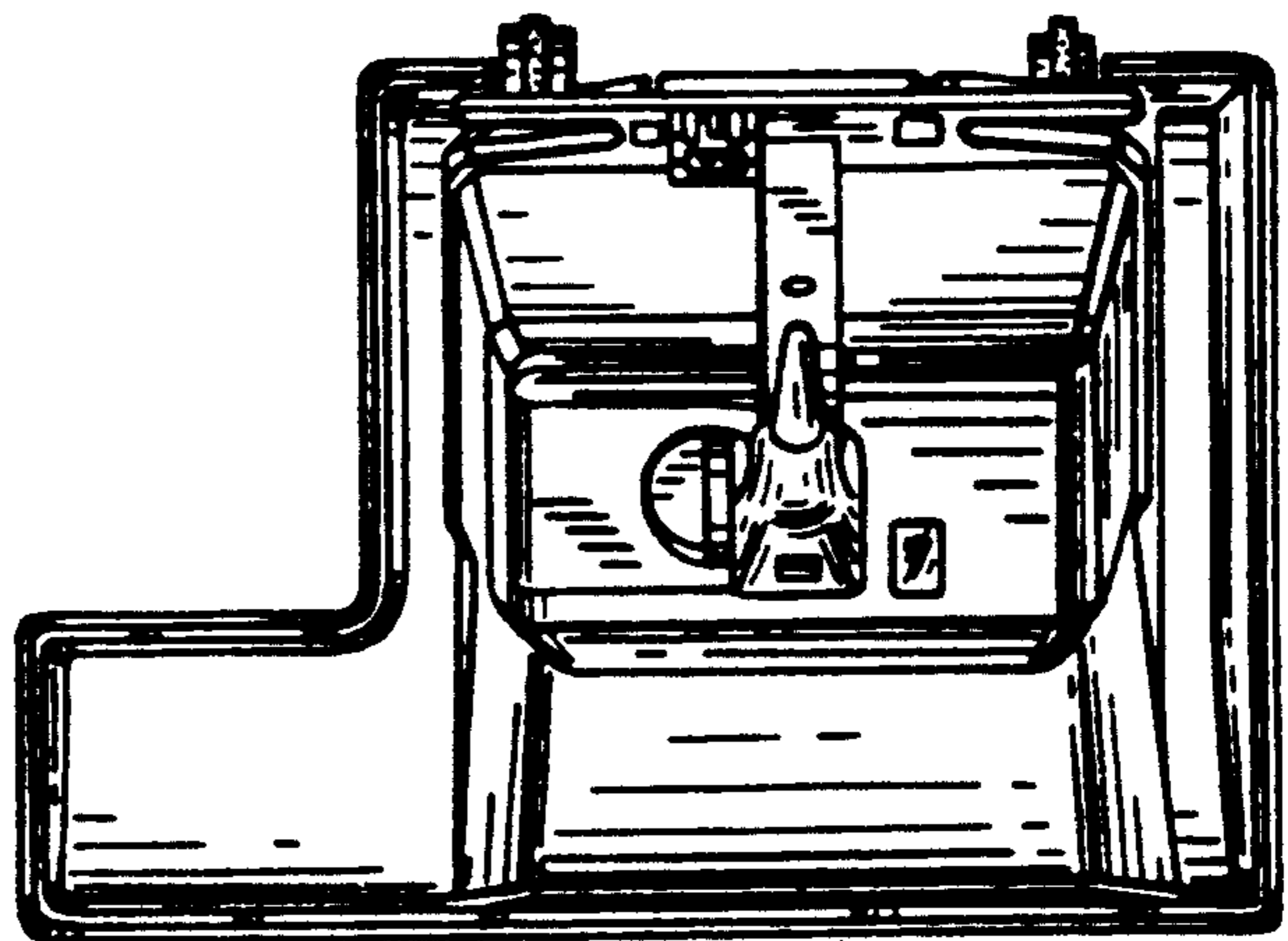


FIG. 5

FIG. 6

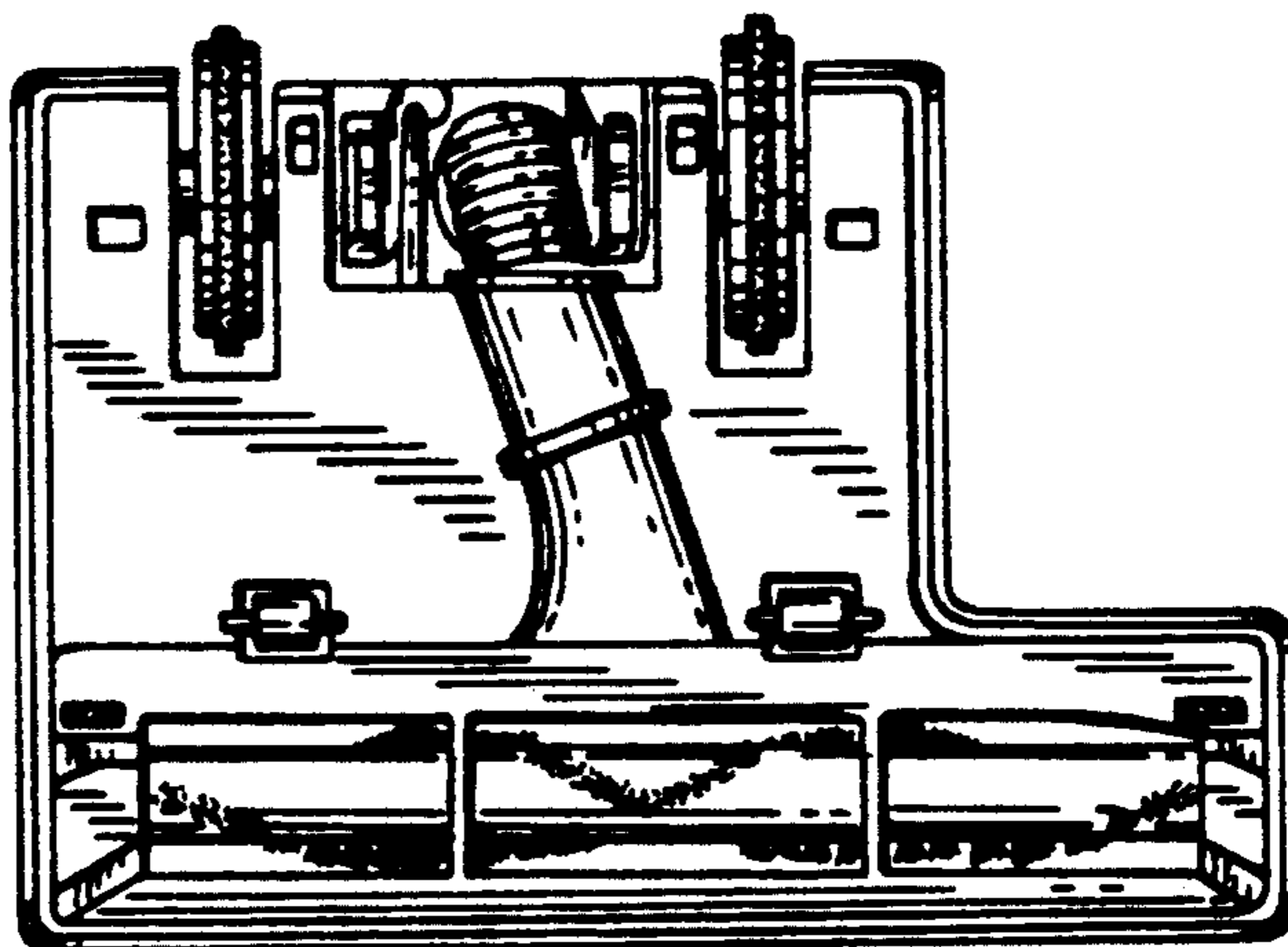
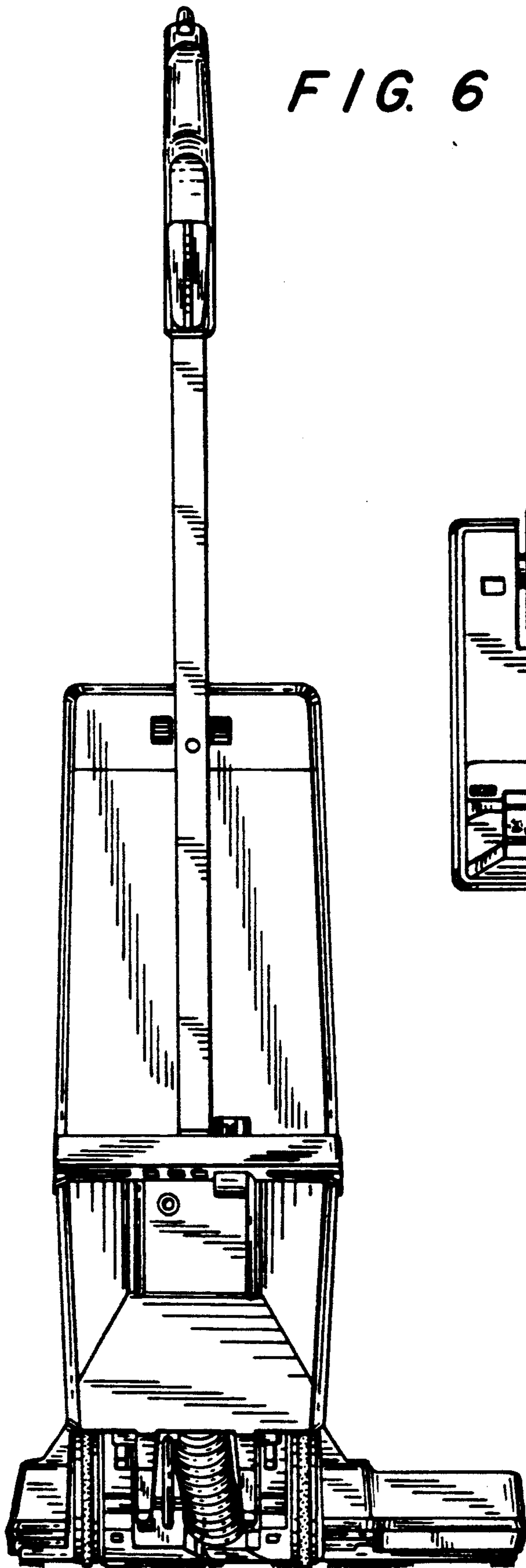


FIG. 7

FIG. 8

