



US00D334251S

United States Patent [19]

[11] Patent Number: **Des. 334,251**

Tiu

[45] Date of Patent: **** Mar. 23, 1993**

[54] **AUTOMATIC PET FEEDER**

4,497,280	2/1985	Sanstrom	119/51.11
4,721,063	1/1988	Atchley	119/52.1
4,840,143	6/1989	Simon	D30/133

[76] Inventor: **Romy Tiu, 3067 Olivewood Pl., San Jose, Calif. 95184**

[**] Term: **14 Years**

[21] Appl. No.: **722,235**

[22] Filed: **Jun. 21, 1991**

[52] U.S. Cl. **D30/122; D7/589; D7/616**

[58] Field of Search 119/18, 24-26, 119/51.1, 51.03, 51.5, 51.11-51.12, 51.14-51.15, 52.1, 52.3-52.4, 53, 56.1-56.2, 57.1, 57.6-57.7, 61, 63, 72, 72.5; D30/119, 121-122, 124-133; 222/650; 220/525, 502, 254; D7/589, 616, 300, 312

[56] **References Cited**

U.S. PATENT DOCUMENTS

D. 232,658	9/1974	Fassauer	D30/121
D. 232,847	9/1974	Okubo	D30/121
D. 278,200	4/1985	Dahlberg	D7/312
D. 287,686	1/1987	Larson et al.	D7/589
D. 294,750	3/1988	Atchley	D30/132
D. 314,301	2/1991	Cooke	D30/121
2,207,417	7/1940	Smith	119/521
3,962,997	6/1976	Ruth	119/51.11
4,051,812	10/1977	DeLoach	119/51.11
4,315,483	2/1982	Scheidler	119/51.5

OTHER PUBLICATIONS

Master Animal Care Catalog, p. 12 Food and Water Dispensers.

Pedigrees The Pet Catalogs, p. 17 Dial-A-Meal Pet Feeder.

Animal Pet Care Products Catalog, p. 17-H (center insert) Dinner Bowl with Bone Motif.

Abitare 220, Dec. 1983, p. 61, #14, Espresso Coffee Machine.

Primary Examiner—A. Hugo Word

Assistant Examiner—CathyAnne MacCormac

Attorney, Agent, or Firm—Terry M. Gernstein

[57] **CLAIM**

The ornamental design for a automatic pet feeder, as shown and described.

DESCRIPTION

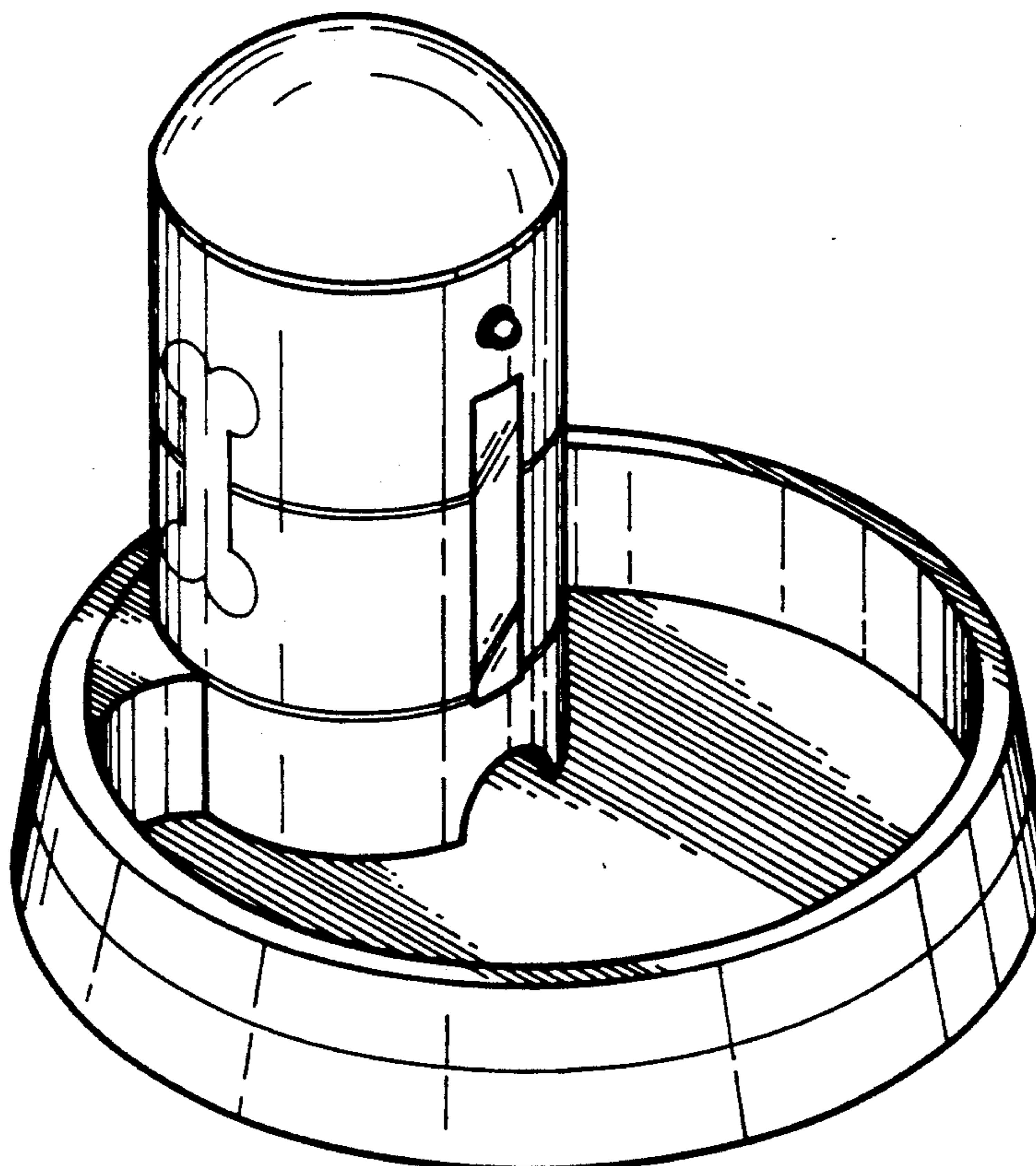
FIG. 1 is a perspective view from the top, left side and rear of an automatic pet feeder showing my new design; FIG. 2 is a front elevational view thereof, the rear being a mirror image of the front view shown;

FIG. 3 is a right side elevational view thereof;

FIG. 4 is a left side elevational view thereof;

FIG. 5 is a top plan view thereof; and,

FIG. 6 is a bottom plan view thereof.



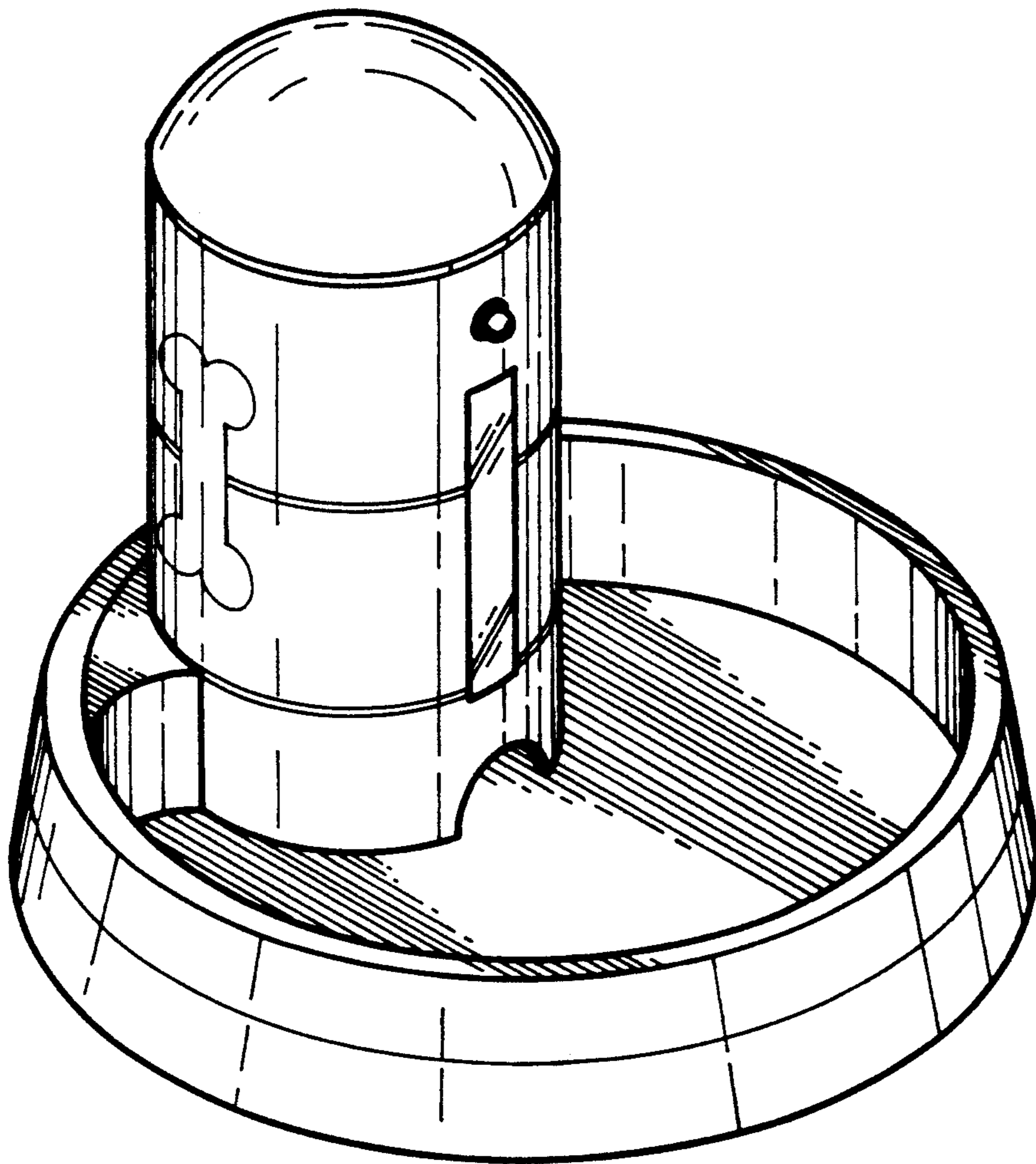


FIG. 1

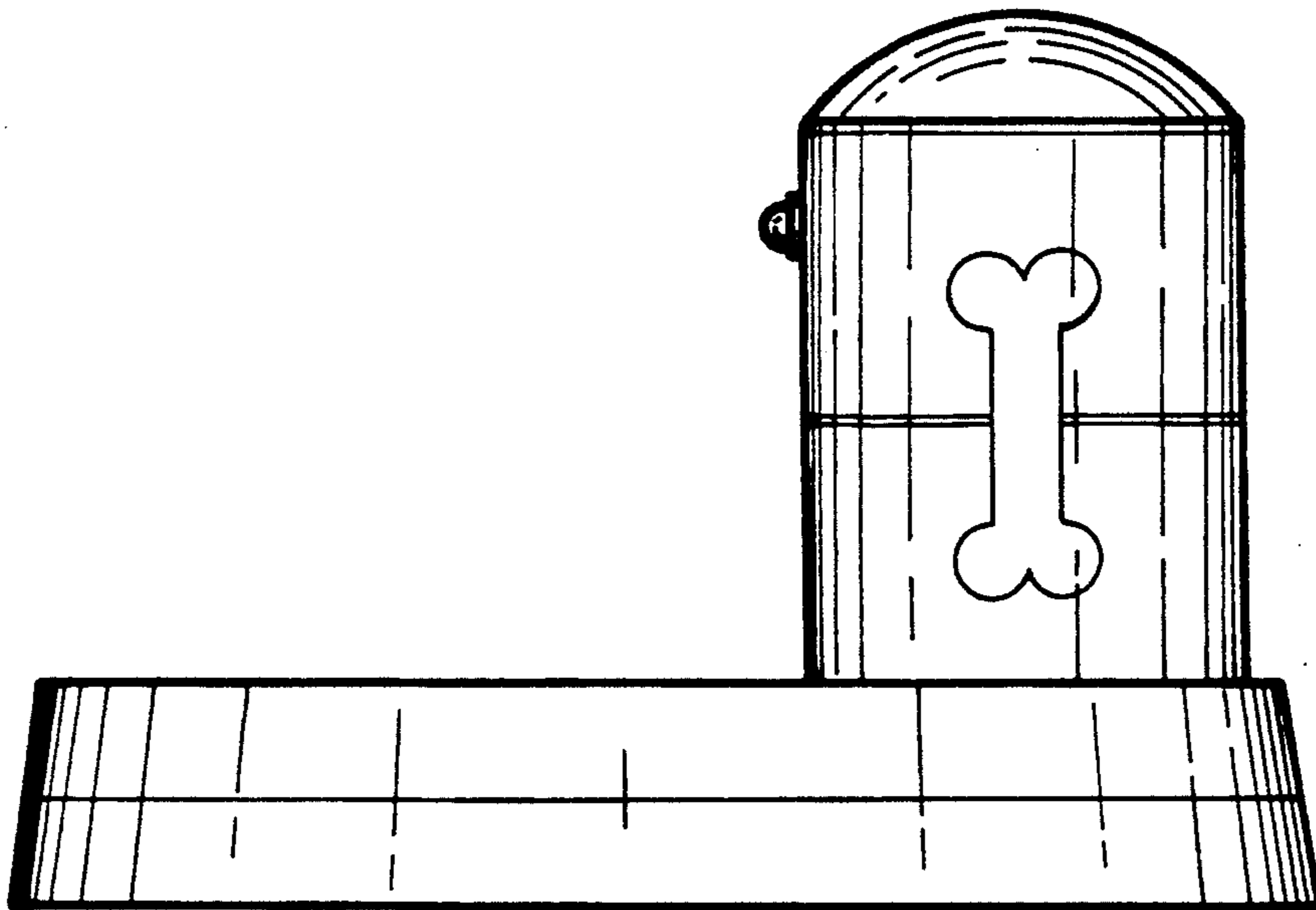


FIG. 2

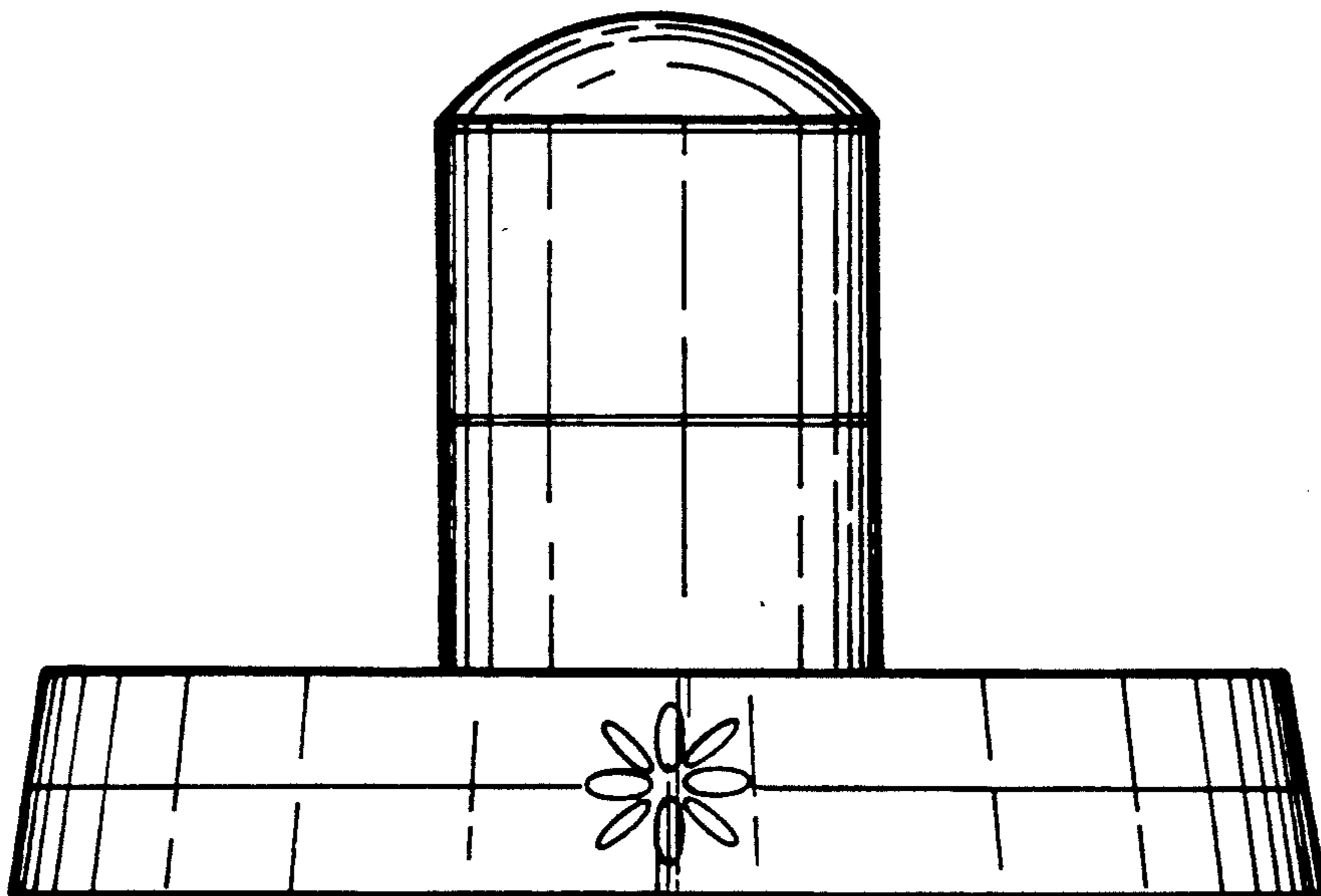


FIG. 3

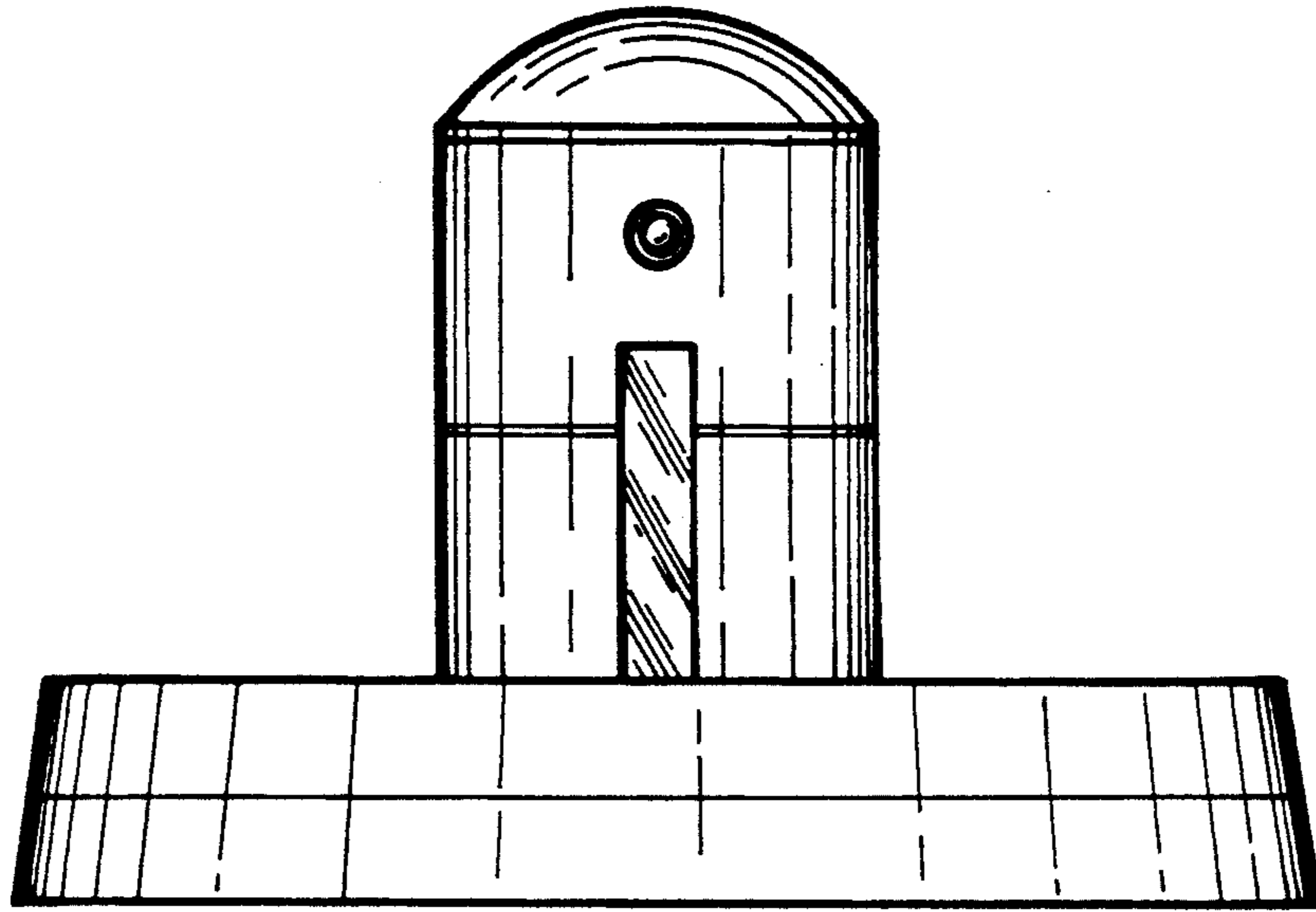


FIG. 4

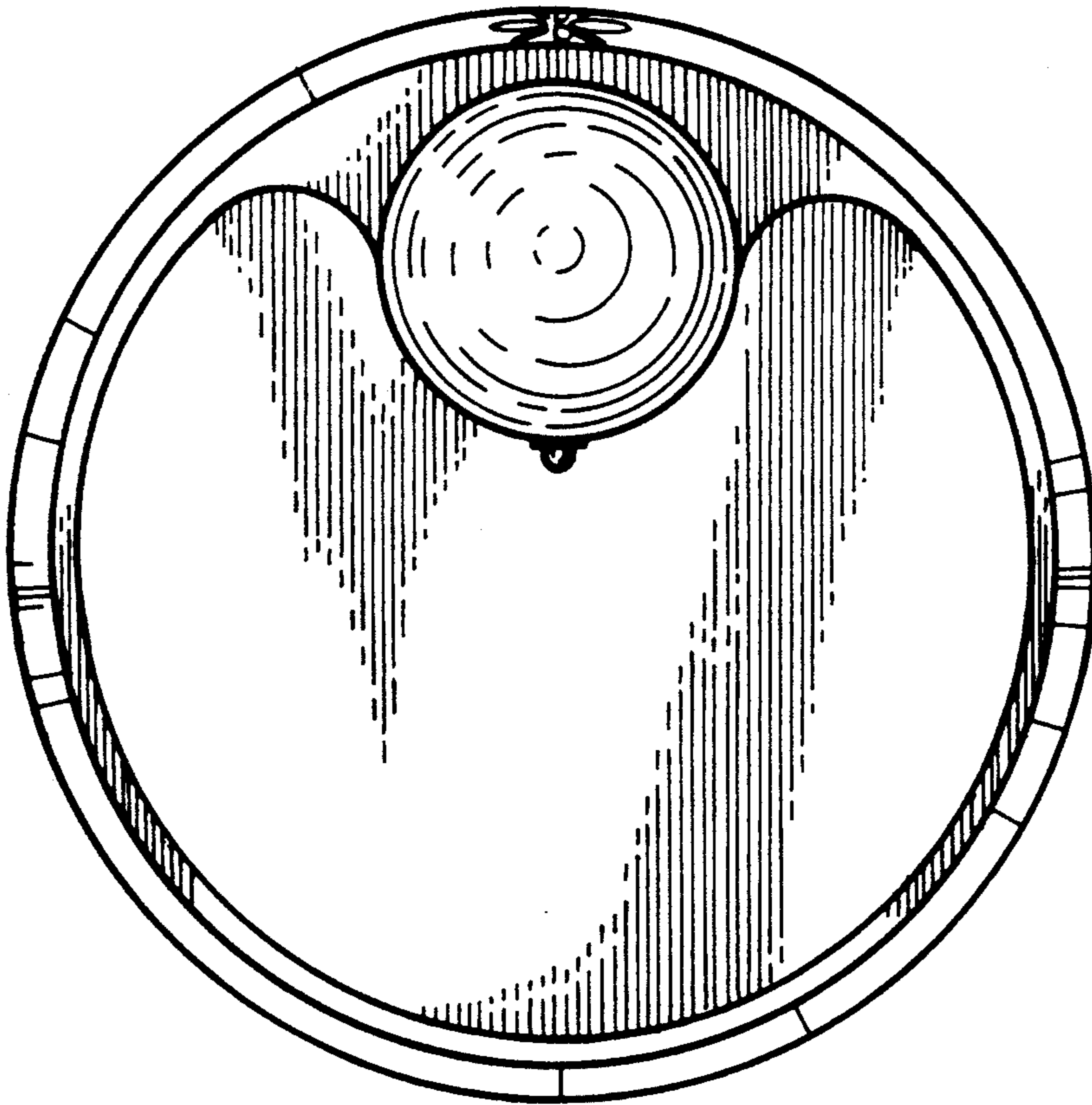


FIG. 5

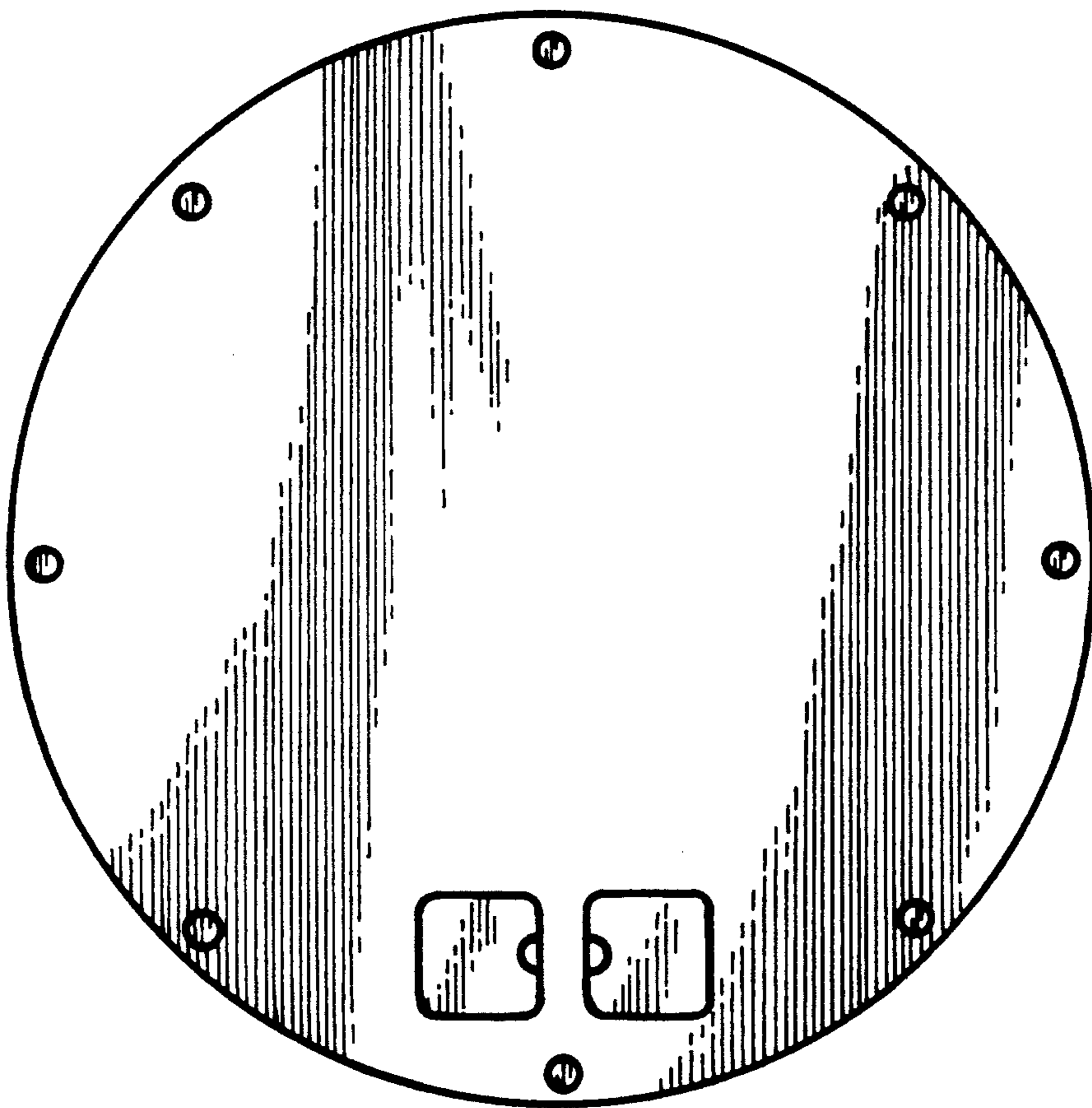


FIG. 6