



US00D334249S

United States Patent [19]

Whittaker

[11] Patent Number: **Des. 334,249**

[45] Date of Patent: **** Mar. 23, 1993**

[54] **DENTAL FLOSS SPINDLE**

[76] Inventor: **Dale Whittaker**, 1329 Quail Run Cir.,
Bentonville, Ark. 72712

[**] Term: **14 Years**

[21] Appl. No.: **607,056**

[22] Filed: **Oct. 30, 1990**

[52] U.S. Cl. **D28/64**

[58] Field of Search **D28/64; 132/321-329;**
206/388, 63.5

4,161,075 7/1979 Eubanks et al. 206/388 X
 4,258,843 3/1981 Wymer 206/388 X
 4,494,653 1/1985 Praderio 206/388 X

Primary Examiner—Susan J. Lucas
Assistant Examiner—M. H. Tung
Attorney, Agent, or Firm—Robert R. Keegan

[57] CLAIM

The ornamental design for a dental floss spindle, as shown.

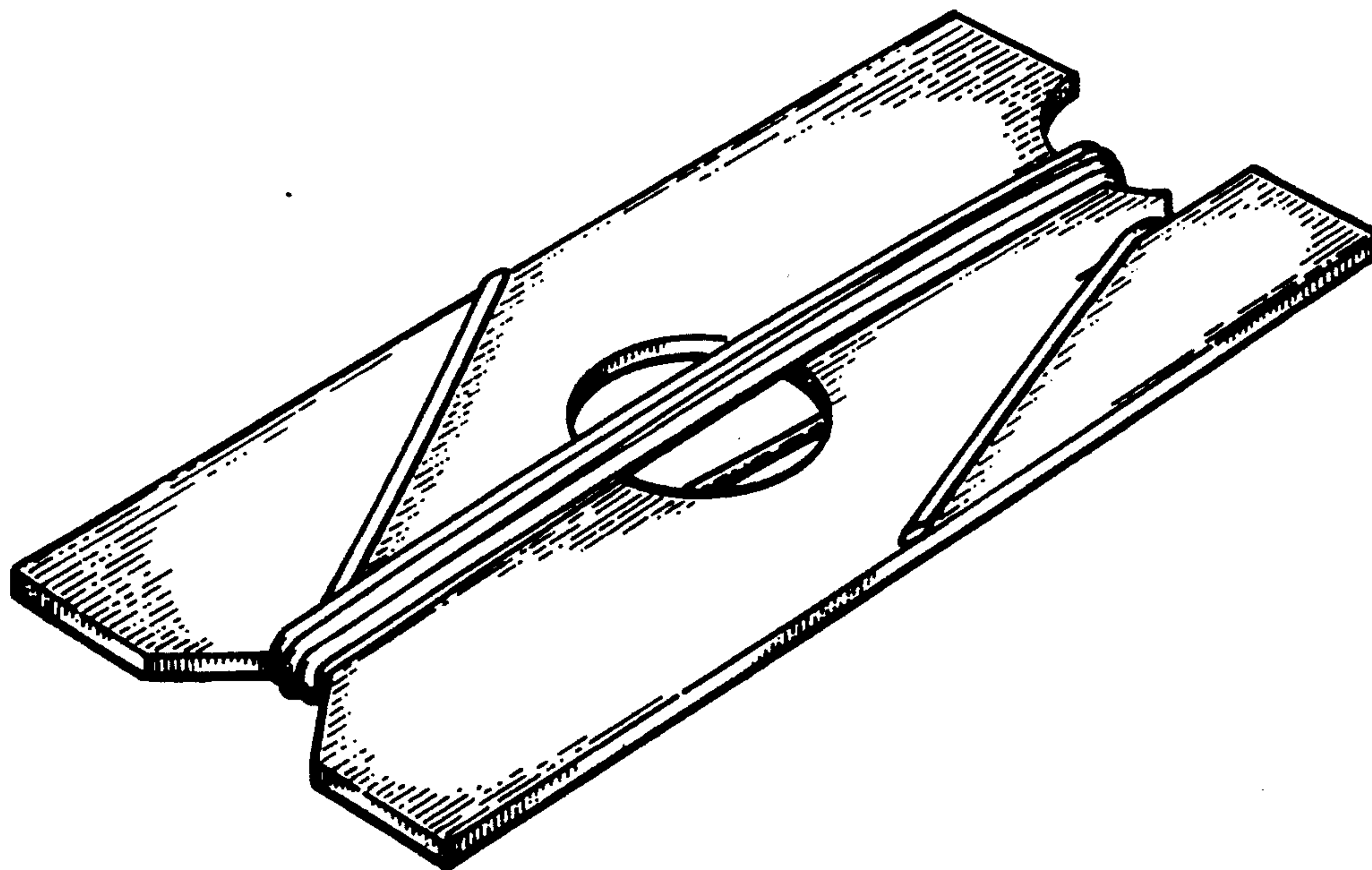
DESCRIPTION

FIG. 1 is a top perspective view of a dental floss spindle showing my new design;
 FIG. 2 is an end elevational view thereof;
 FIG. 3 is an opposite end elevational view thereof;
 FIG. 4 is right side elevational view thereof;
 FIG. 5 is a bottom plan view thereof; and,
 FIG. 6 is a left side elevational view thereof.

[56] **References Cited**

U.S. PATENT DOCUMENTS

D. 276,942	12/1984	Oreus	D28/64
D. 312,710	12/1990	Whittaker	D28/64
1,473,578	11/1923	Greve	206/388
1,506,010	8/1924	Lapin	206/388 X



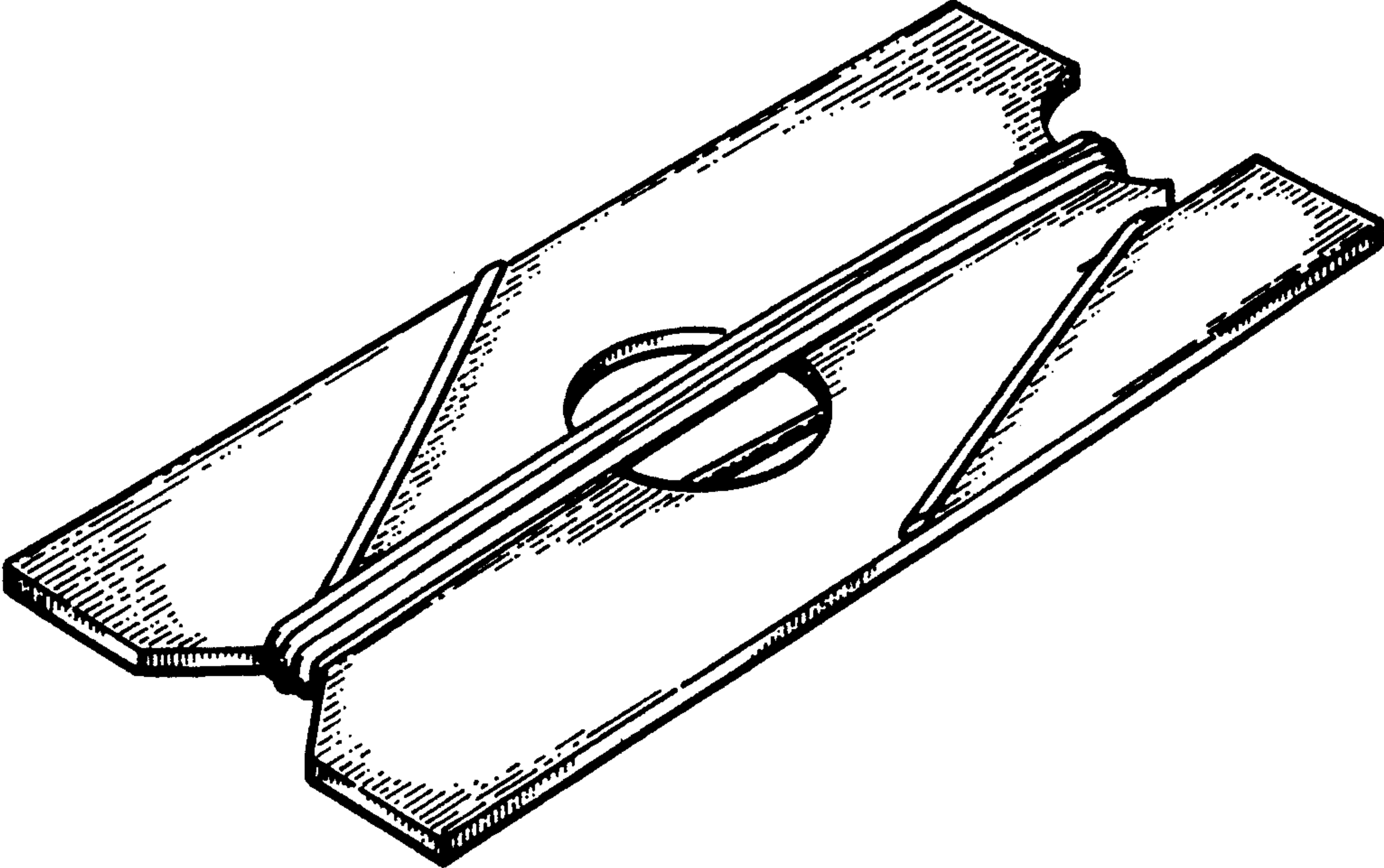


Fig. 1



Fig. 2



Fig. 3



Fig. 4

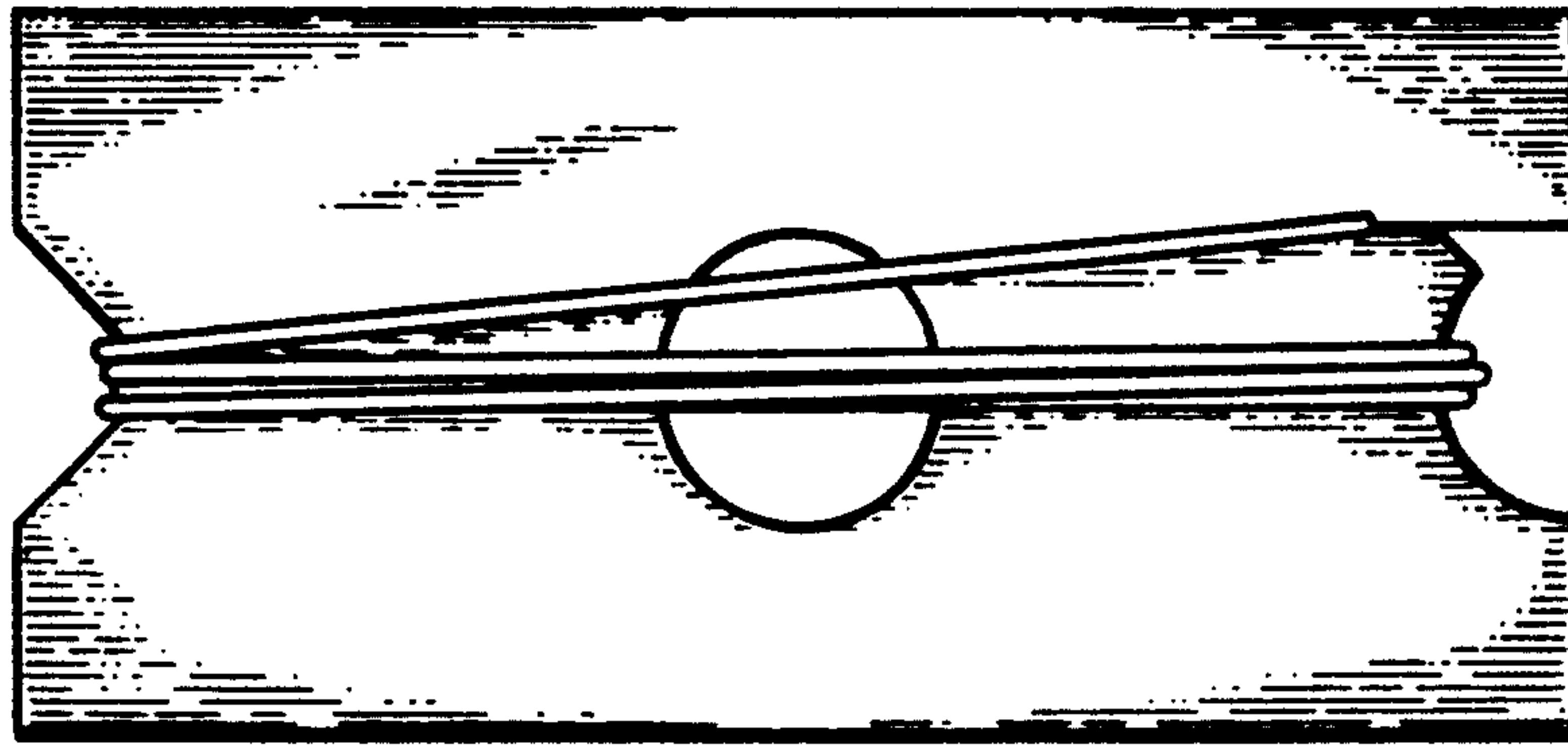


Fig. 5



Fig. 6