



US00D334243S

# United States Patent [19]

[11] Patent Number: **Des. 334,243**

Higano et al.

[45] Date of Patent: **\*\* Mar. 23, 1993**

[54] **ELECTRIC LAMP**

5,018,992 5/1991 Bergin et al. .... 313/318 X

[75] Inventors: **Masato Higano**, Tochigi; **Masakazu Yanagiya**, Utsunomiya; **Tetuya Sato**, Utsunomiya; **Munehiko Yanagida**, Utsunomiya, all of Japan

**FOREIGN PATENT DOCUMENTS**

1518190 3/1968 France ..... 439/56

[73] Assignee: **Moriyama Sangyo Kabushiki Kaisha**, Tokyo, Japan

*Primary Examiner*—Susan J. Lucas  
*Attorney, Agent, or Firm*—Spencer, Frank & Schneider

[\*\*] Term: **14 Years**

[57] **CLAIM**

The ornamental design for the electric lamp, as shown.

[21] Appl. No.: **672,593**

**DESCRIPTION**

[22] Filed: **Mar. 19, 1991**

[52] U.S. Cl. .... **D26/2**

[58] Field of Search ..... **D26/1, 2; D13/134; 313/315, 316, 317, 318, 1, 25; 439/56, 611**

FIG. 1 is a perspective view of the electric lamp seen from the upper left of its front;  
FIG. 2 is a perspective view thereof seen from the lower right of the front;  
FIG. 3 is a front view thereof;  
FIG. 4 is a rear view thereof;  
FIG. 5 is a left-hand side view thereof;  
FIG. 6 is a right-hand side view thereof;  
FIG. 7 is a plan view thereof; and,  
FIG. 8 is a bottom view thereof.

[56] **References Cited**

**U.S. PATENT DOCUMENTS**

D. 280,766 9/1985 Fujita et al. .... D26/2  
3,555,341 1/1971 Curtis ..... 313/318

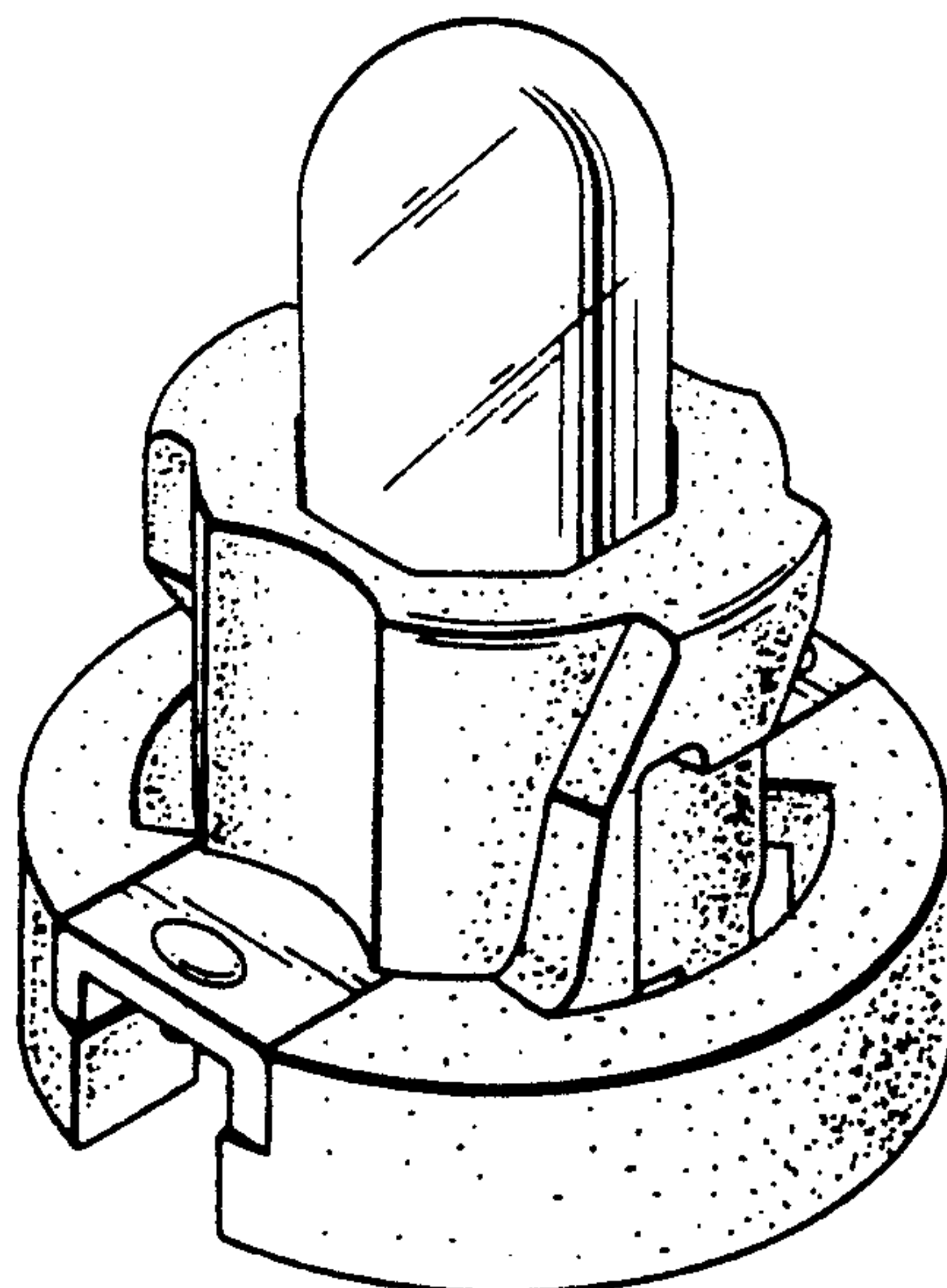


FIG. 1

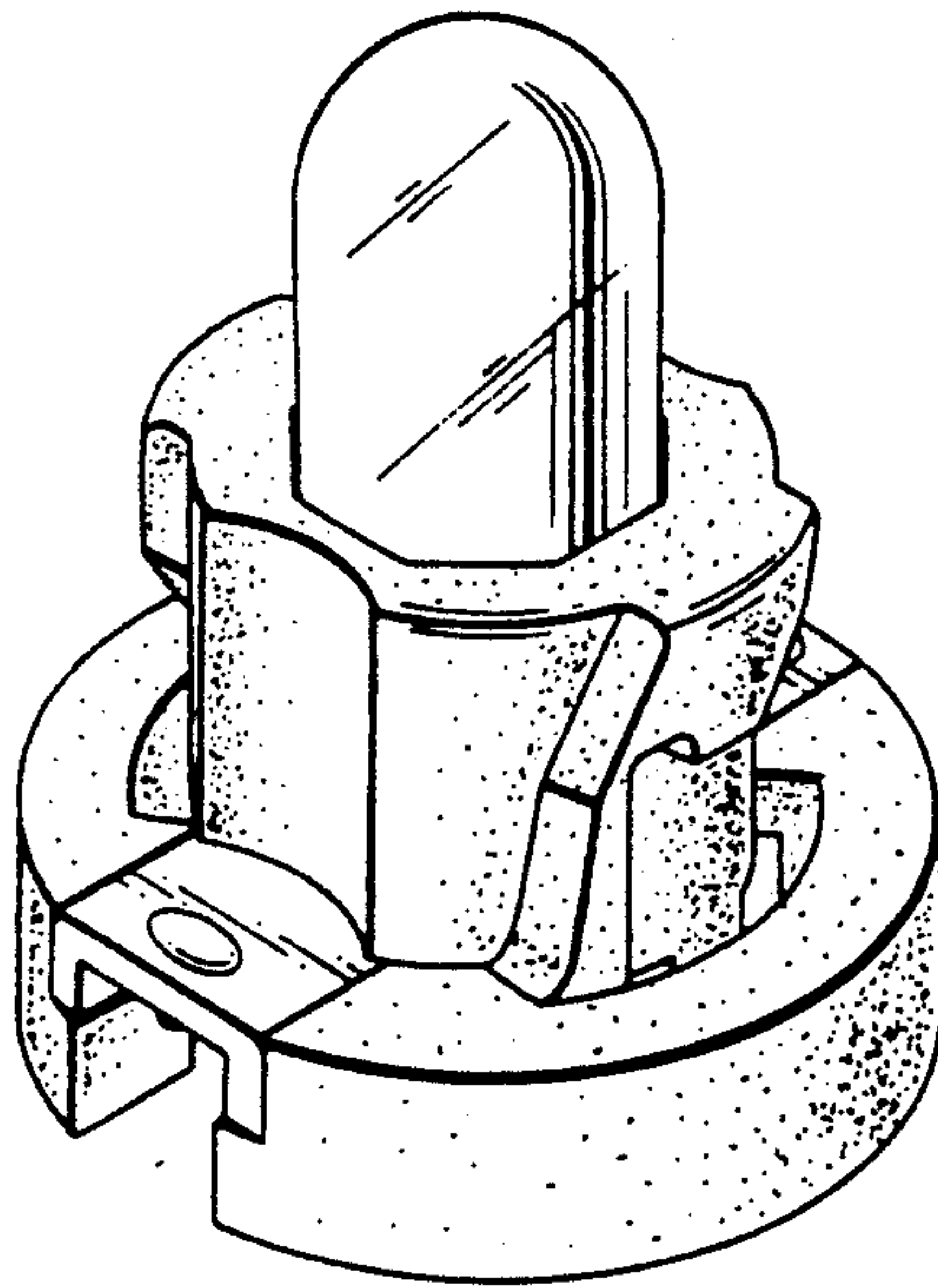


FIG. 2

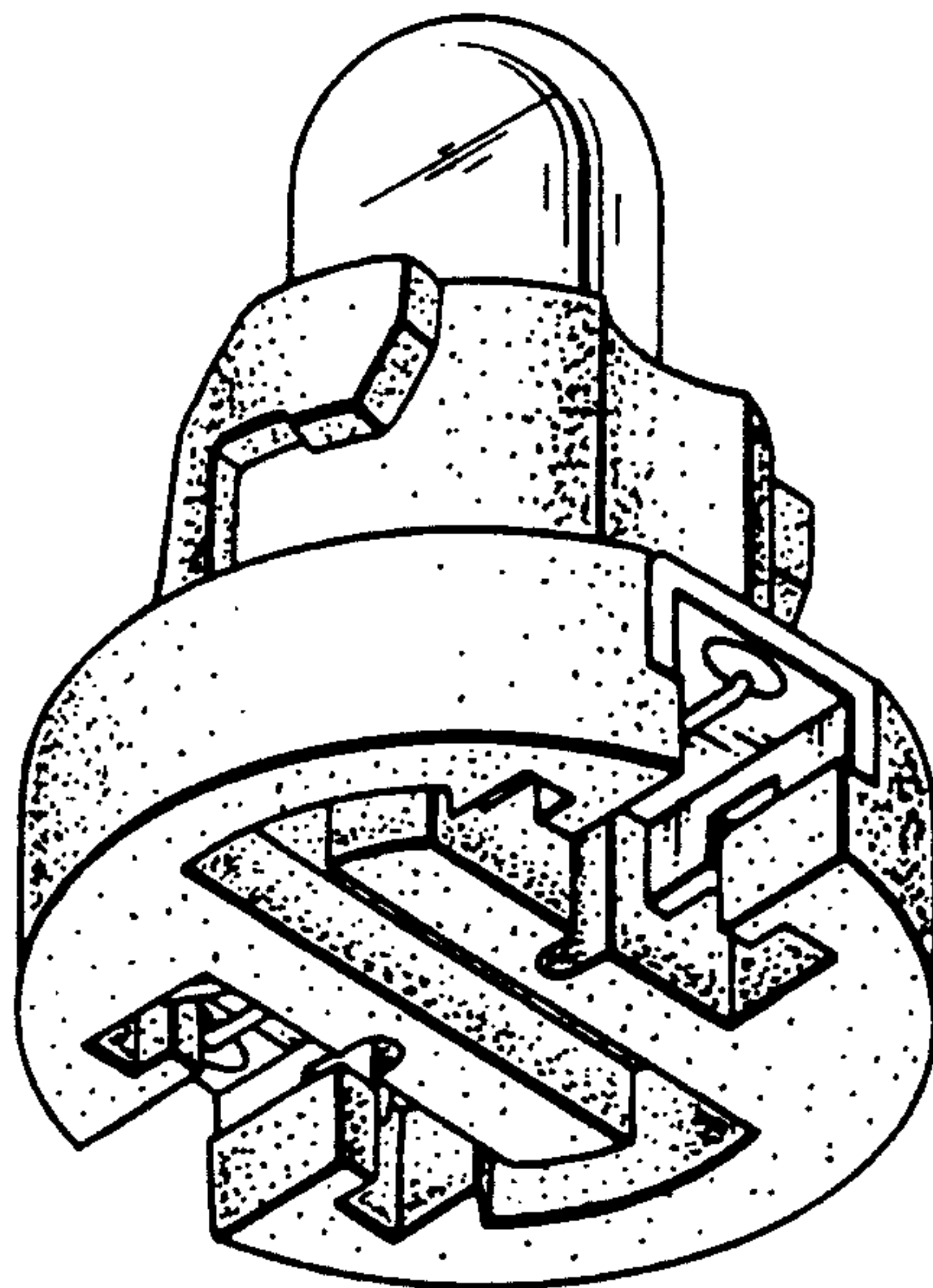


FIG. 3

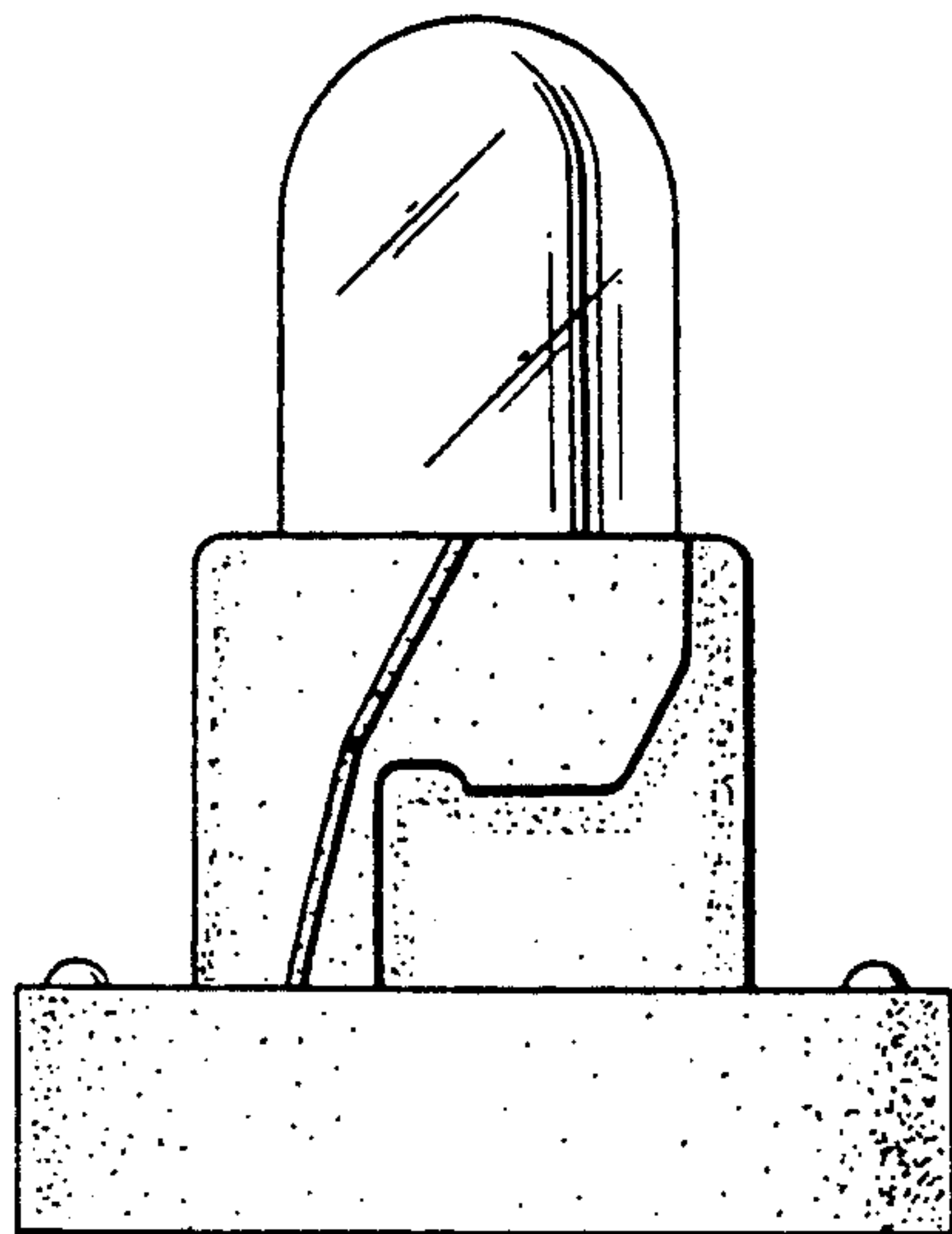


FIG. 4

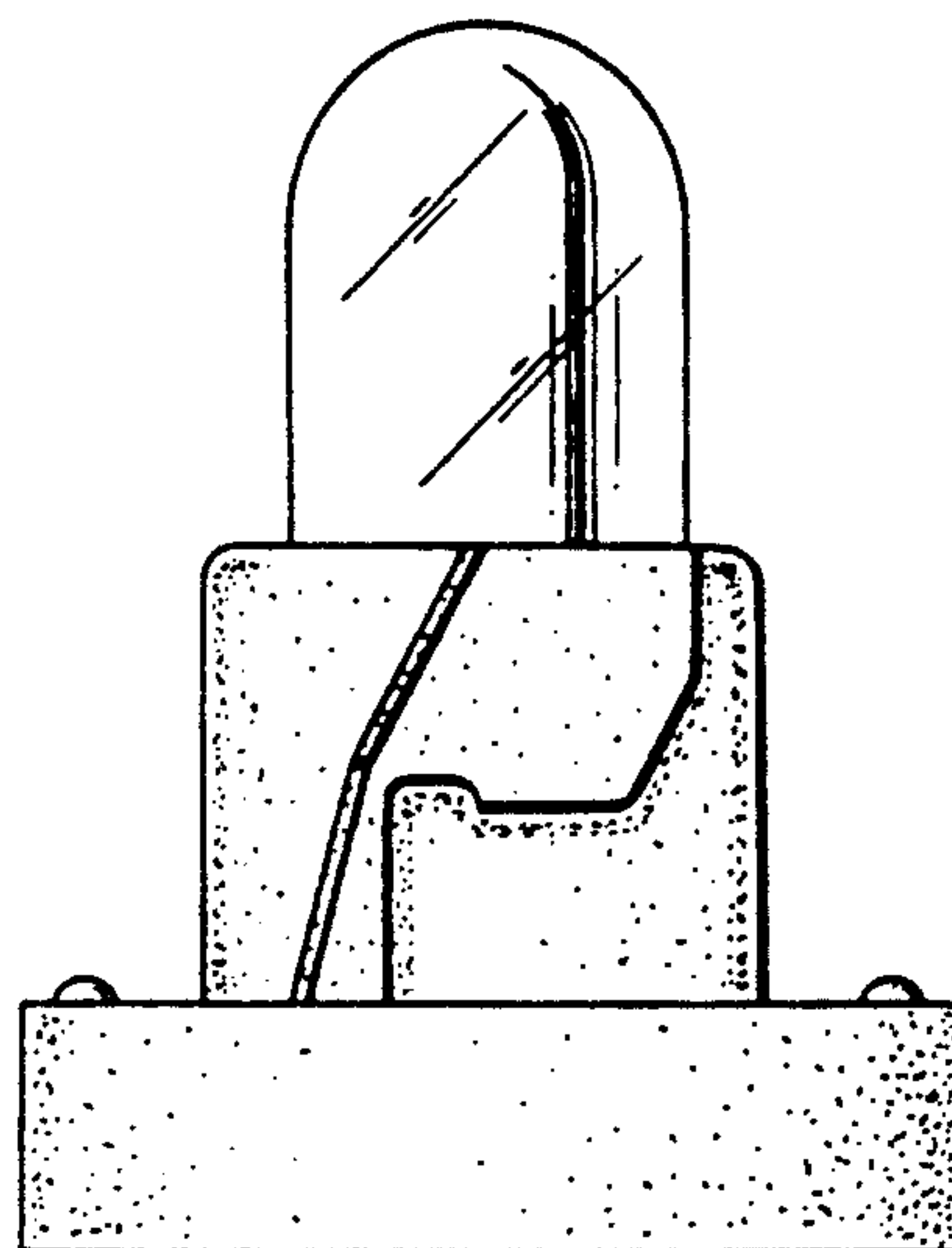


FIG. 5

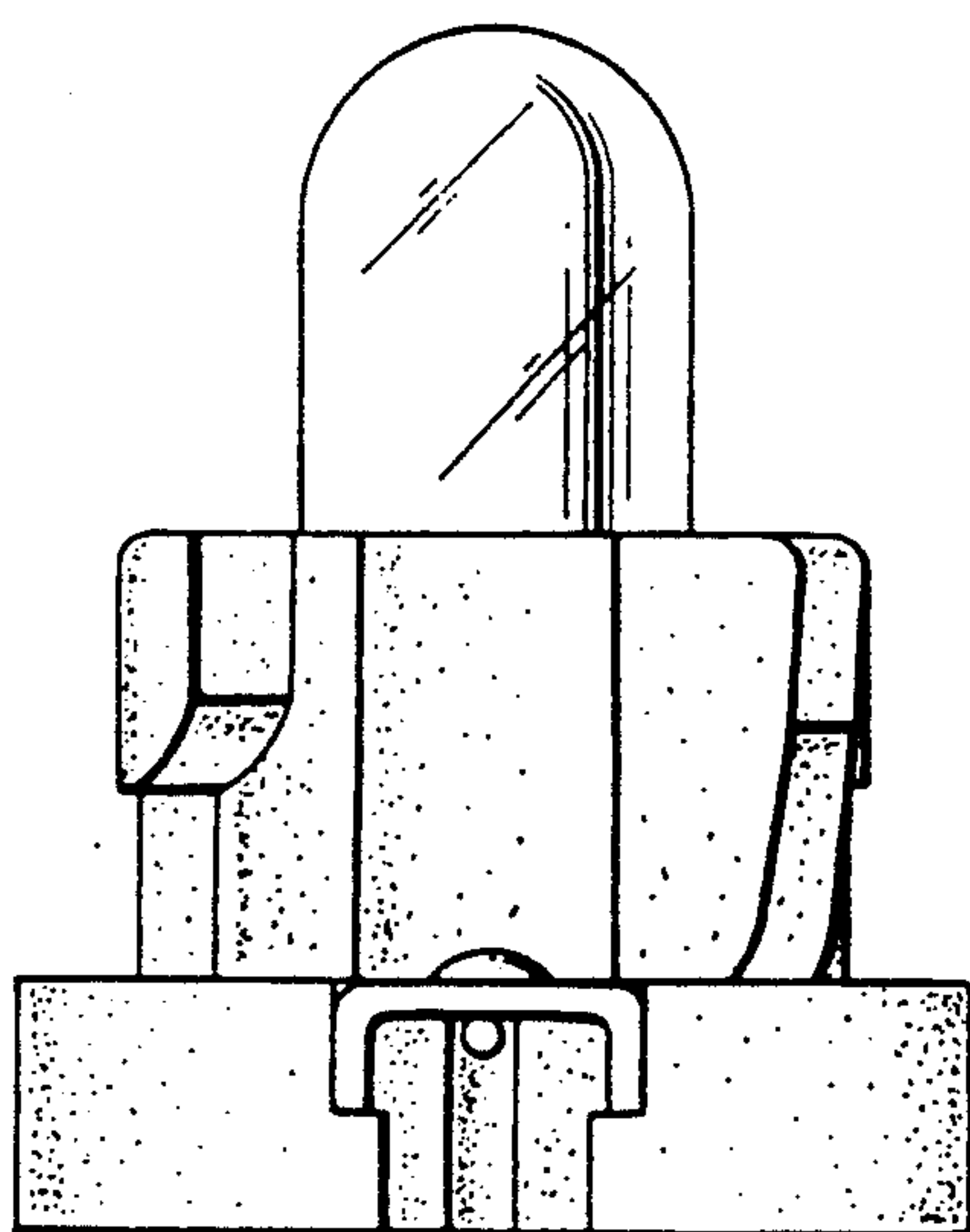


FIG. 6

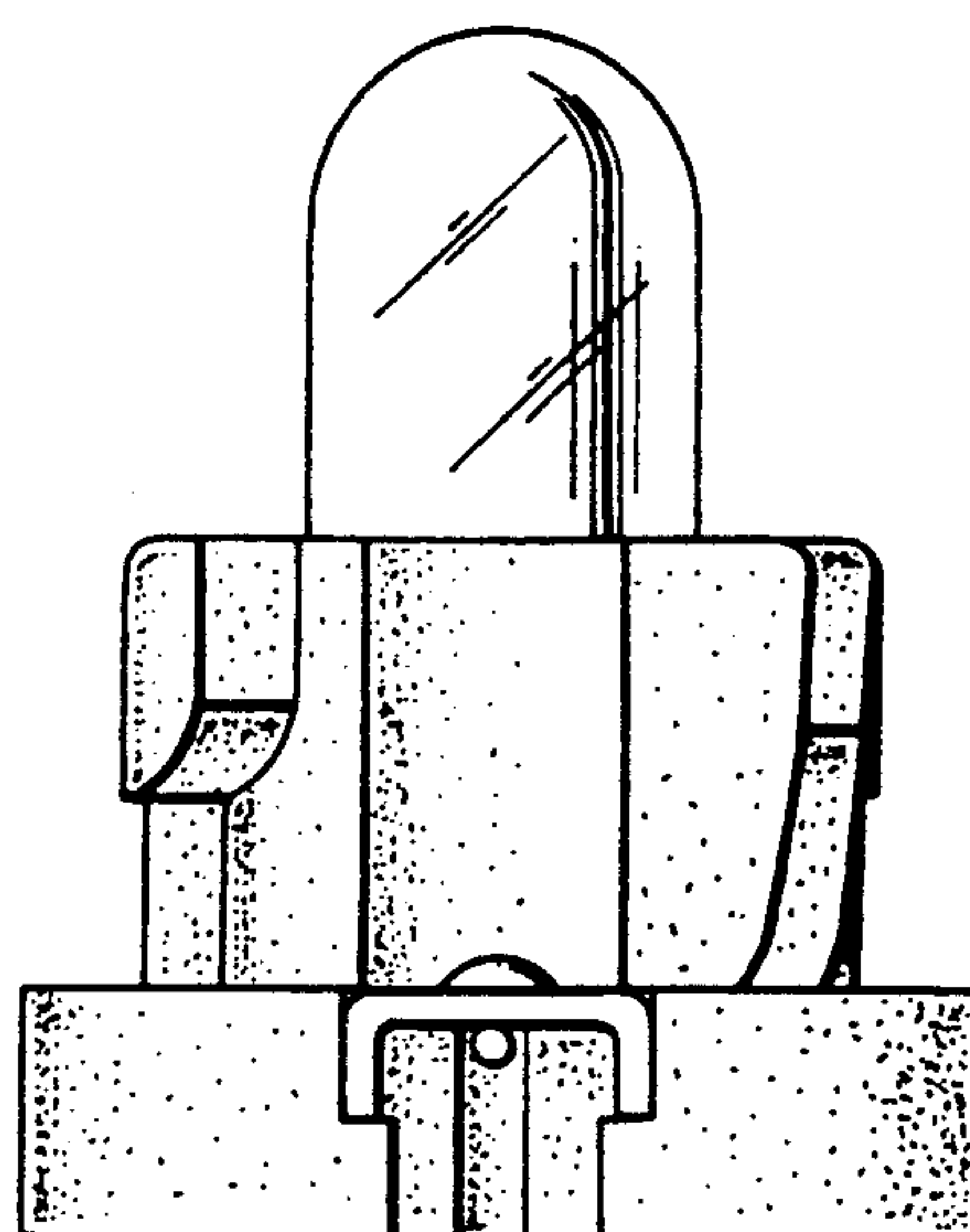


FIG. 7

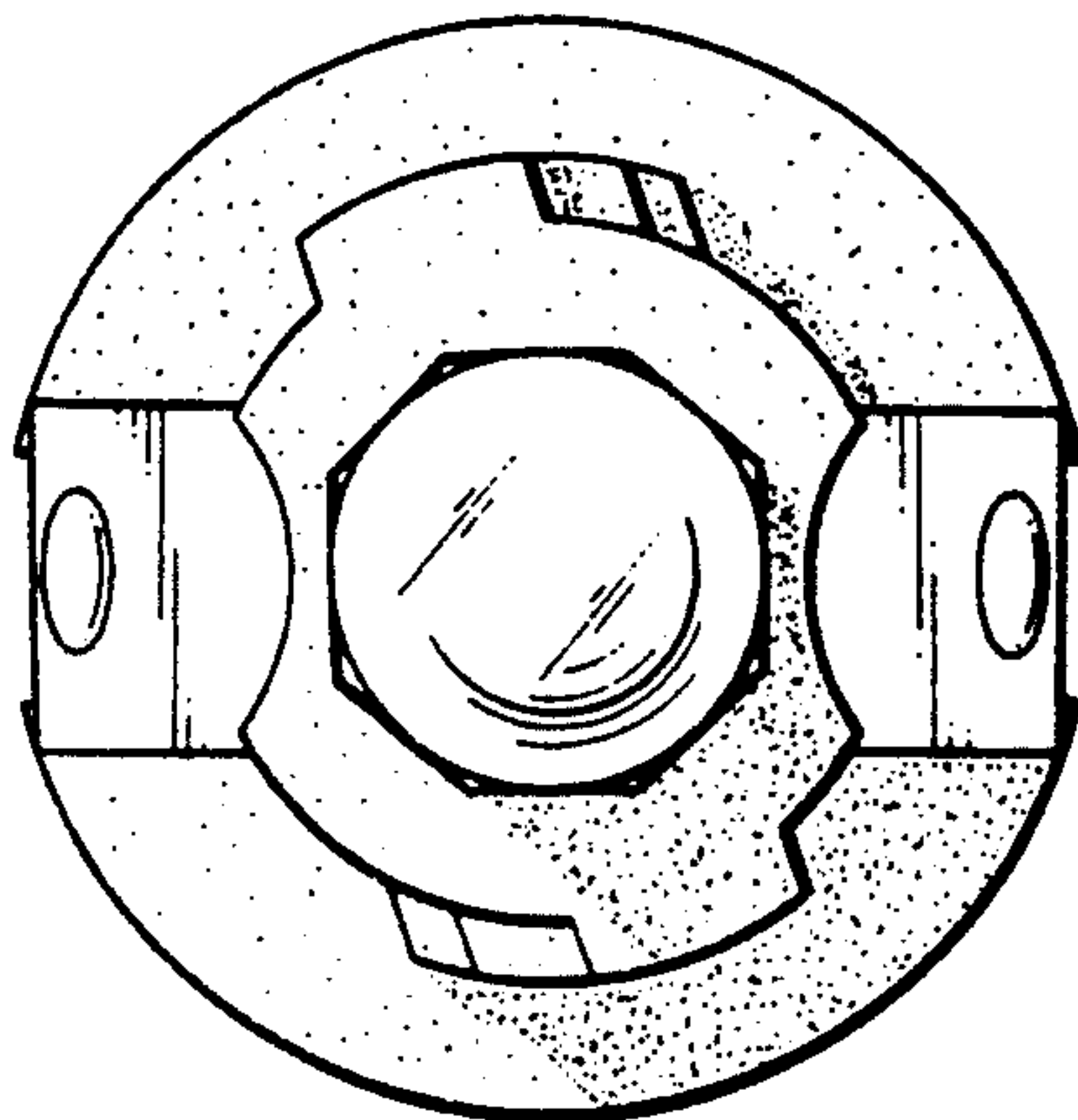


FIG. 8

