



US00D334240S

**United States Patent** [19]  
**Huffine**

[11] **Patent Number: Des. 334,240**  
[45] **Date of Patent: \*\* Mar. 23, 1993**

[54] **LADDER TOP COVER**

[75] **Inventor: Anthony R. Huffine, Louisville, Ky.**

[73] **Assignee: Emerson Electric Co., St. Louis, Mo.**

[\*\*] **Term: 14 Years**

[21] **Appl. No.: 652,907**

[22] **Filed: Feb. 8, 1991**

[52] **U.S. Cl. .... D25/68**

[58] **Field of Search .... D25/62-64,  
D25/68-69; D8/354; 182/220, 46, 107-108,  
118-120, 129, 206; 248/225.31**

[56] **References Cited**

**U.S. PATENT DOCUMENTS**

D. 300,252	3/1989	Schmitt	.....	D25/68
D. 310,884	9/1990	Patton et al.	.....	D25/68
2,930,442	3/1960	Carter	.....	182/120

*Primary Examiner*—A. Hugo Word

*Assistant Examiner*—Doris Clark

*Attorney, Agent, or Firm*—Polster, Lieder, Woodruff & Lucchesi

[57] **CLAIM**

The ornamental design for a ladder top cover as shown and described.

**DESCRIPTION**

FIG. 1 is a perspective view of a ladder top cover showing my new design, the broken lines showing a ladder is for illustrative purposes only and form no part of the claimed design;

FIG. 2 is a top plan view thereof;

FIG. 3 is a bottom plan view thereof;

FIG. 4 is a side elevational view, the opposite side being a mirror image thereof;

FIG. 5 is a front elevational view thereof;

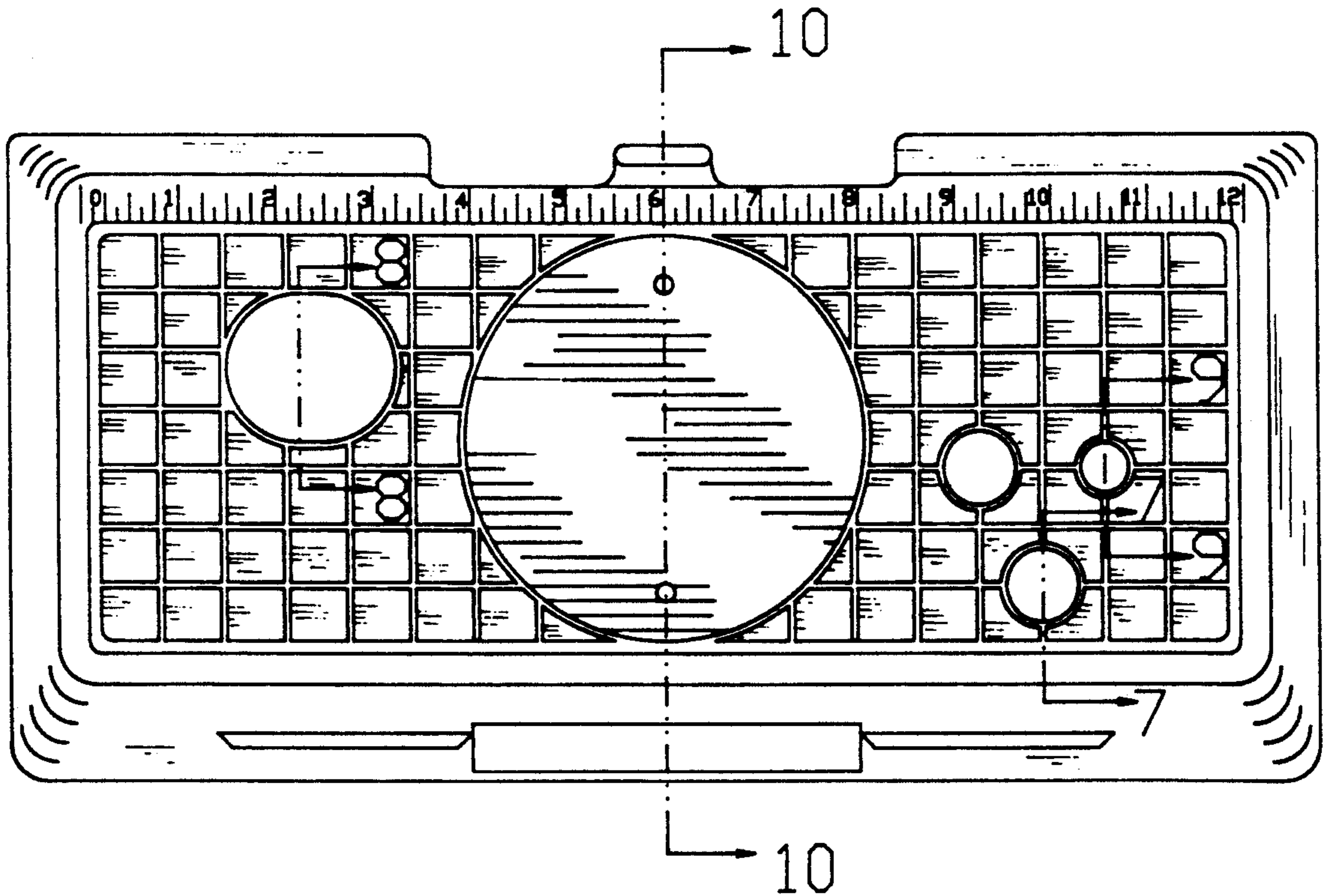
FIG. 6 is a rear elevational view thereof;

FIG. 7 is an enlarged fragmentary cross sectional view taken along line 7—7 of FIG. 2;

FIG. 8 is an enlarged fragmentary cross sectional view taken along line 8—8 of FIG. 2;

FIG. 9 is an enlarged fragmentary cross sectional view taken along line 9—9 of FIG. 2; and,

FIG. 10 is an enlarged fragmentary cross sectional view taken along line 10—10 of FIG. 2.



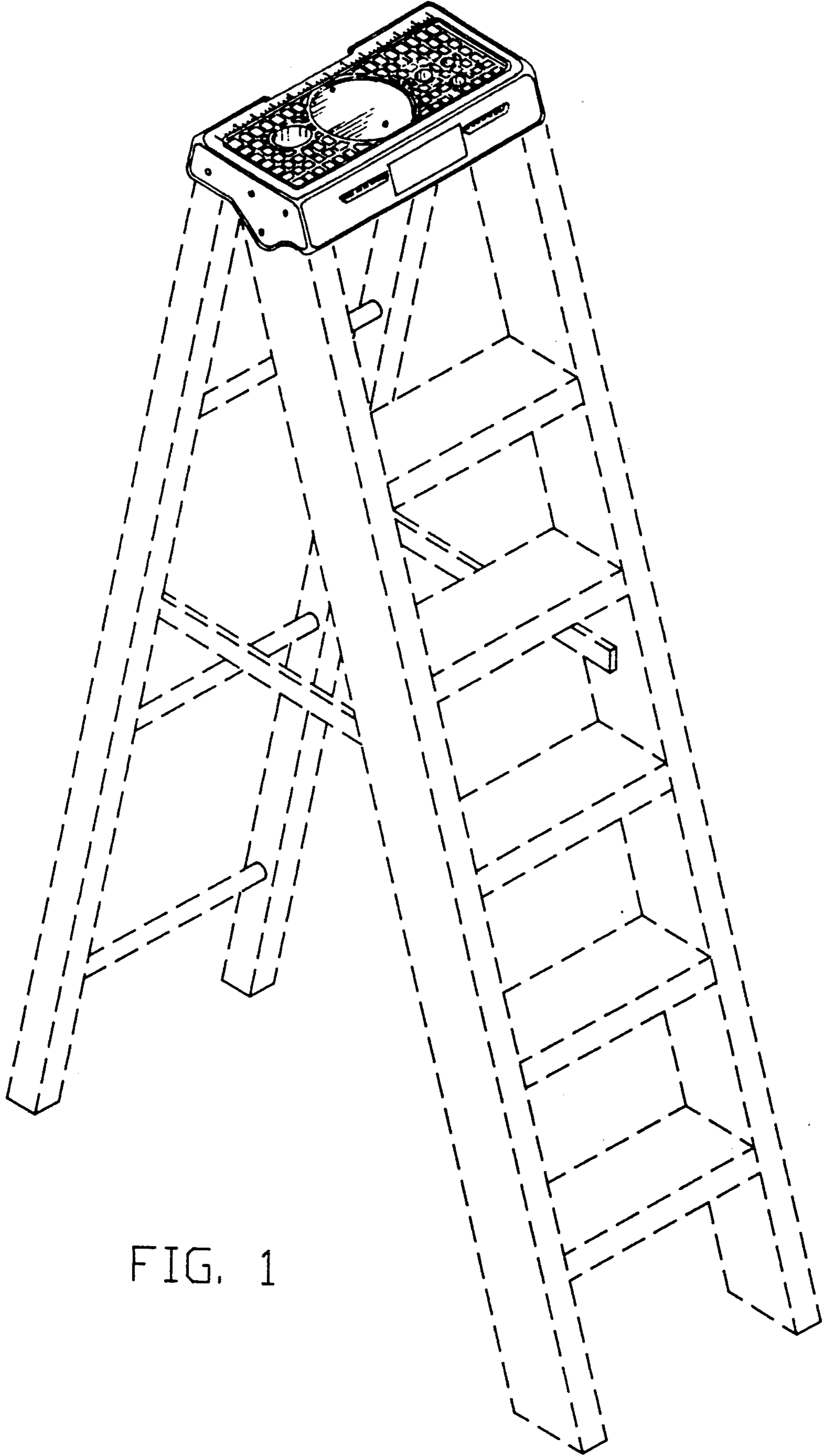


FIG. 1

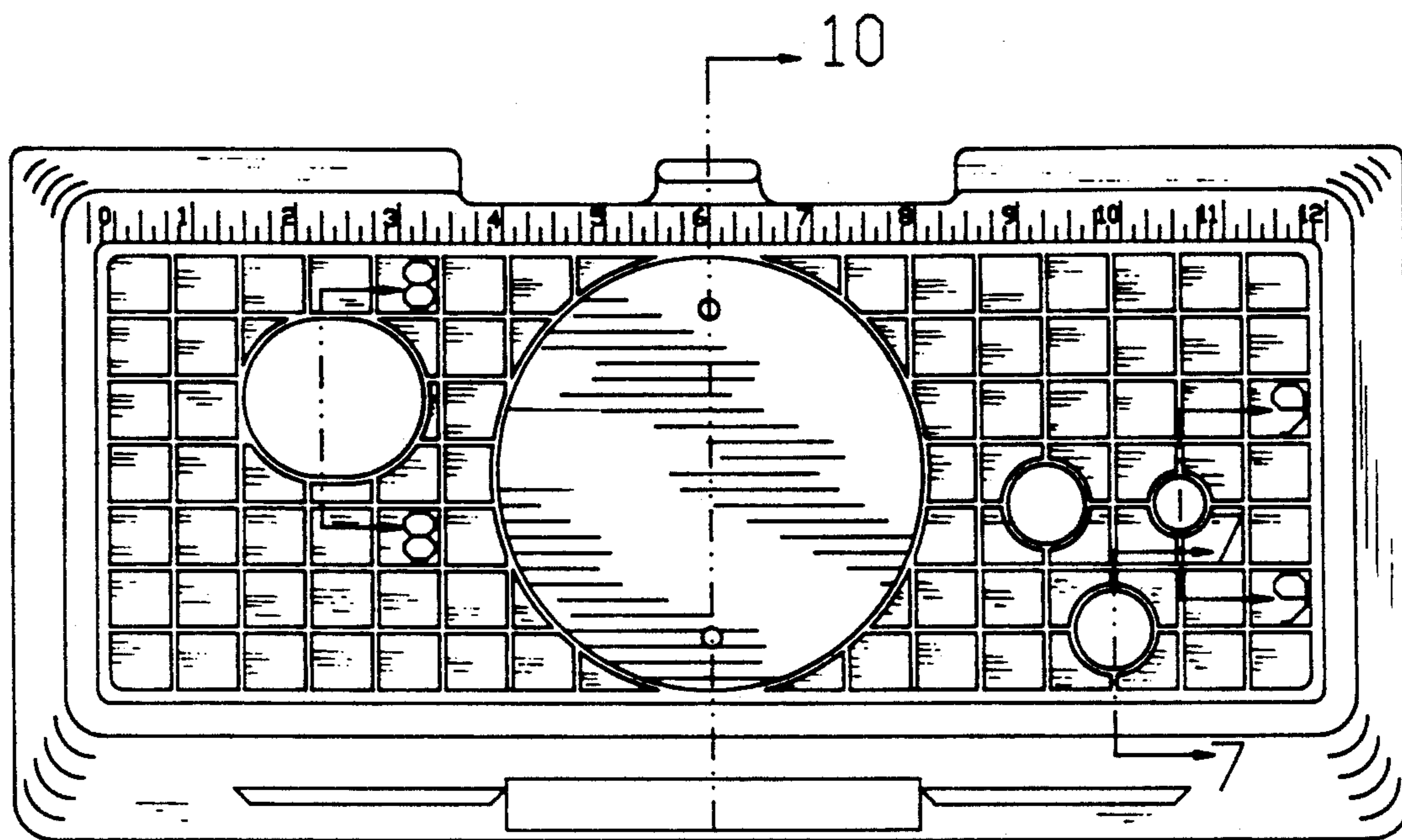


FIG. 2 10

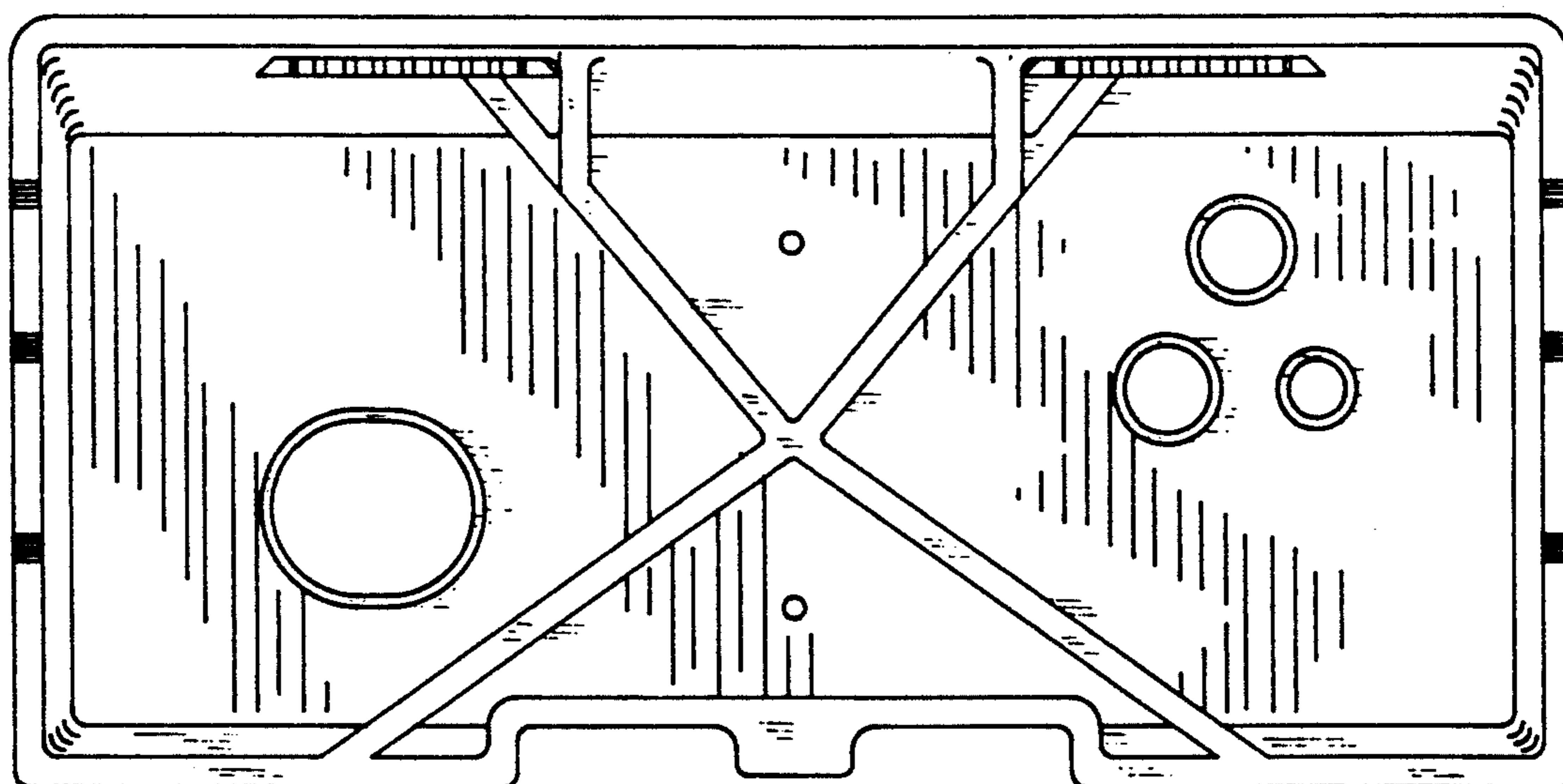


FIG. 3

FIG. 4

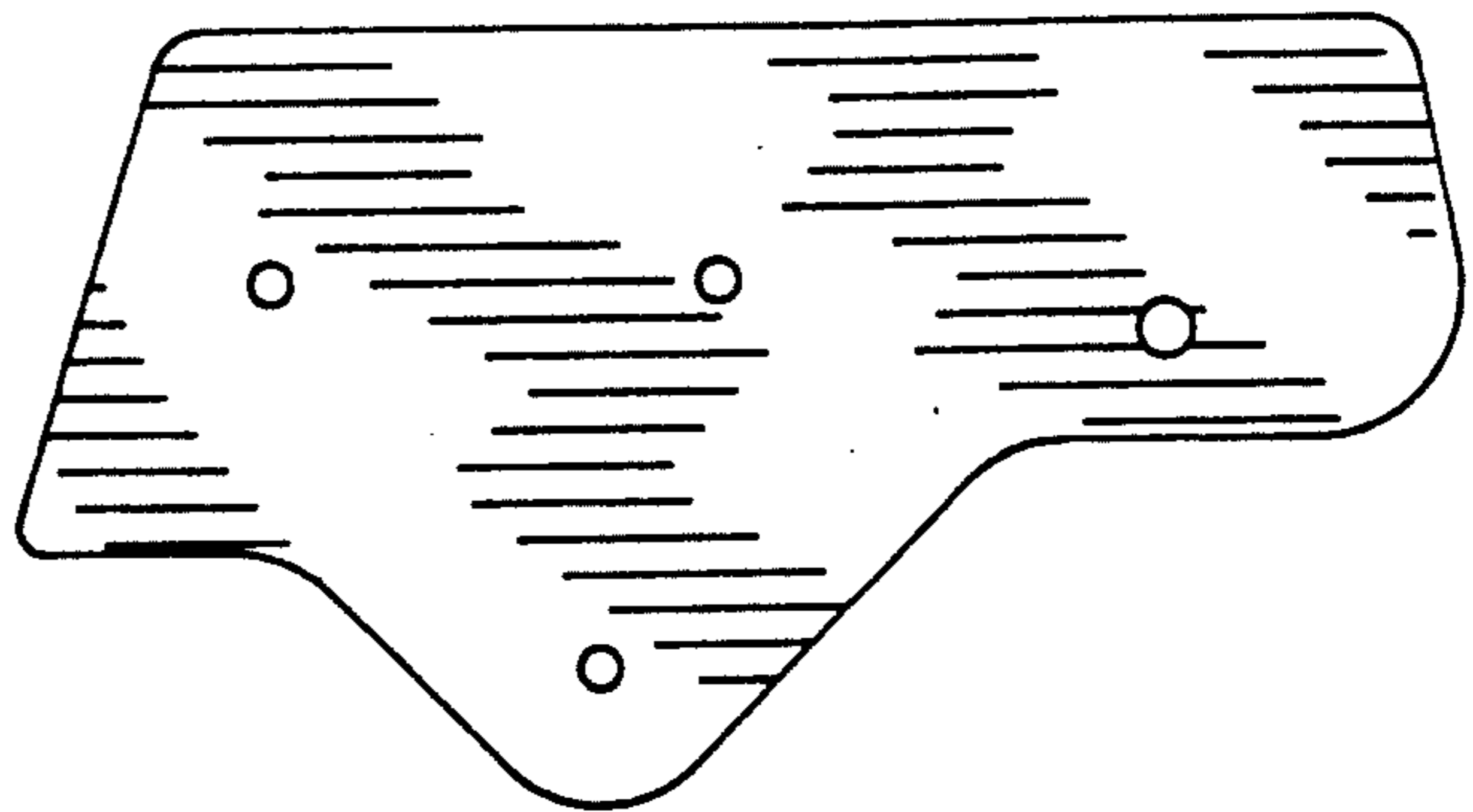


FIG. 5

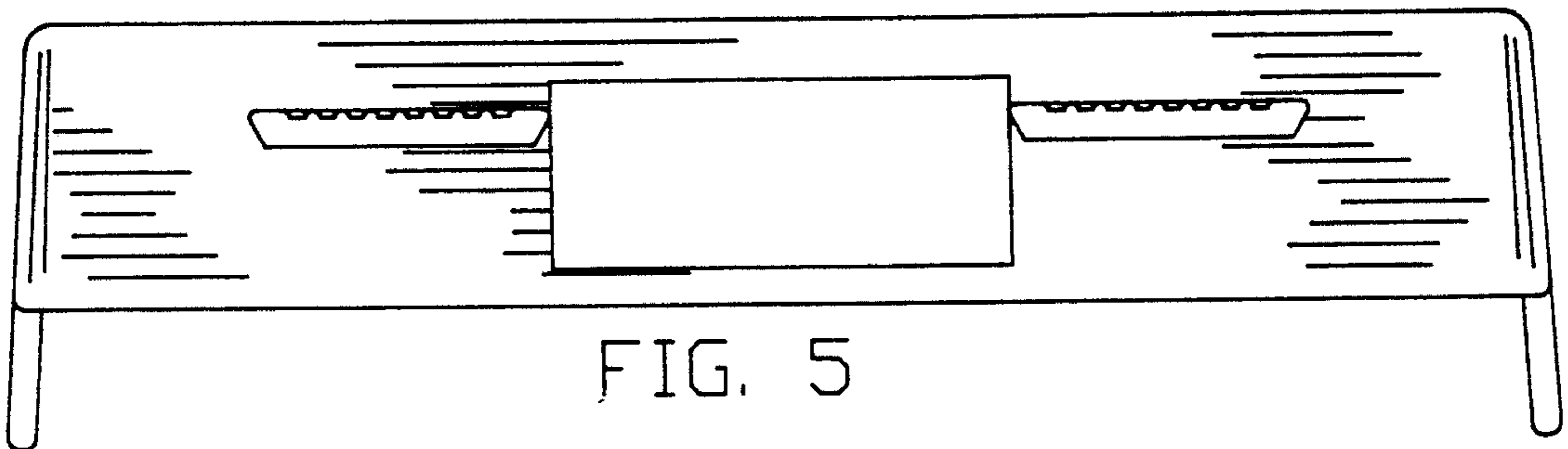


FIG. 6

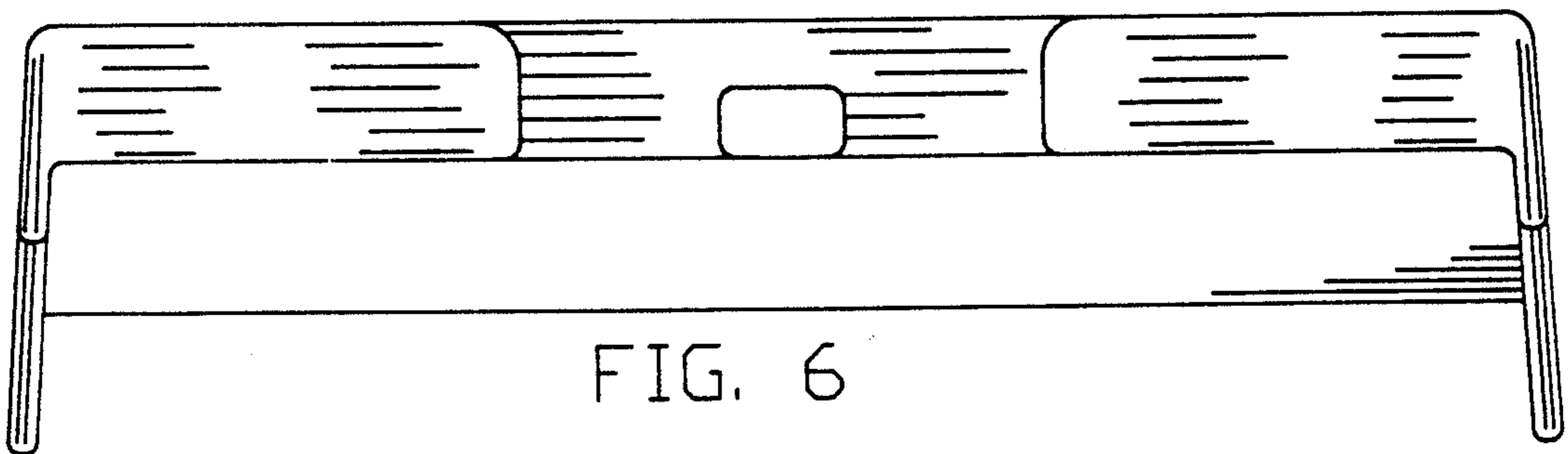


FIG. 9



FIG. 7

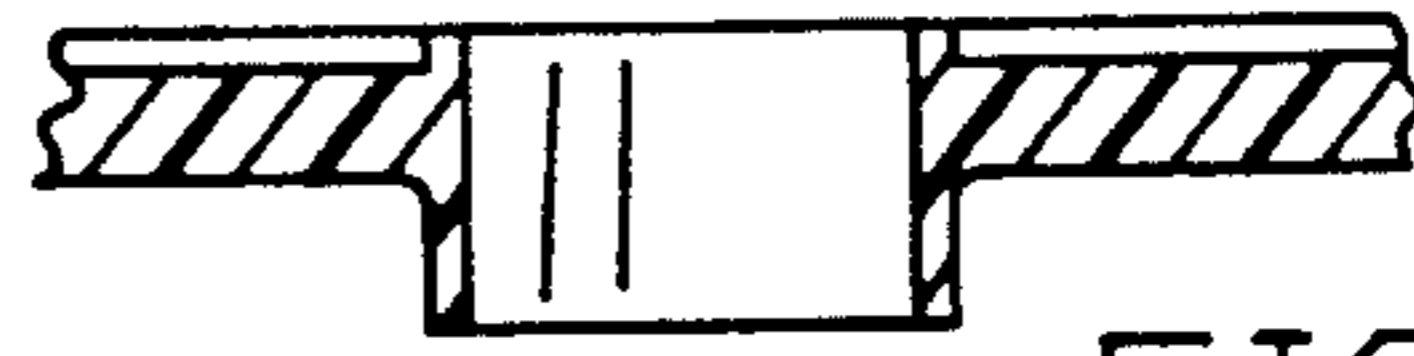


FIG. 8



FIG. 10

