



US00D334235S

United States Patent [19]

Stachowiak et al.

[11] Patent Number: **Des. 334,235**

[45] Date of Patent: **** Mar. 23, 1993**

[54] **PORTABLE OXYGEN FLOW METER**

[75] Inventors: **Krzysztof Stachowiak, Venice;**
Zdenek F. Lebis, Castaic, both of
Calif.

[73] Assignee: **American Safety Flight Systems, Inc.,**
Glendale, Calif.

[**] Term: **14 Years**

[21] Appl. No.: **585,351**

[22] Filed: **Sep. 19, 1990**

[52] U.S. Cl. **D24/164**

[58] Field of Search **D10/81, 46; D24/164,**
D24/186; 128/719, 721, 725, 727

[56] **References Cited**

U.S. PATENT DOCUMENTS

D. 325,634 4/1992 Sweeney, Jr. D28/168
4,635,647 1/1987 Chokski 128/725 X

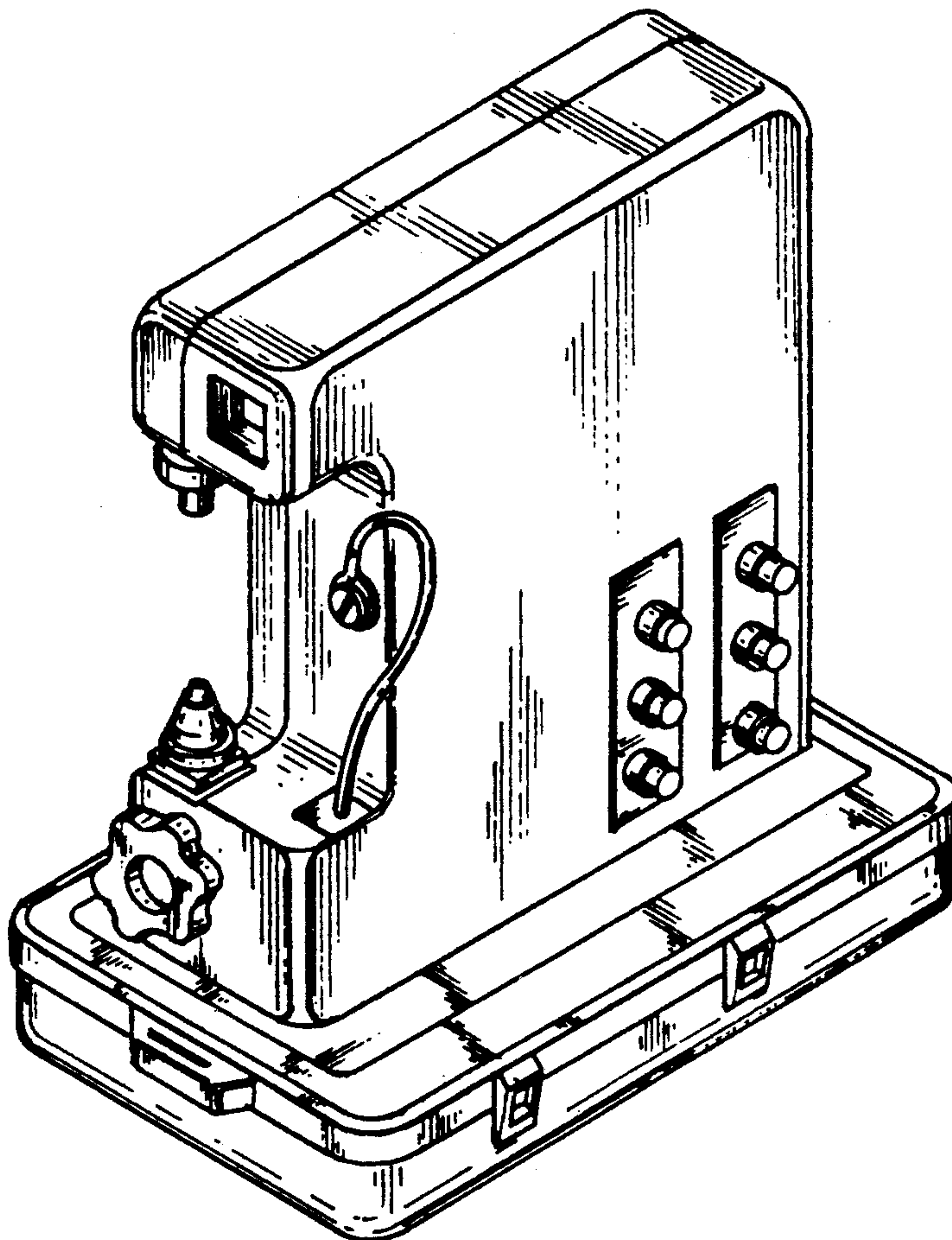
Primary Examiner—Alan P. Douglas
Assistant Examiner—Antoine D. Davis
Attorney, Agent, or Firm—Graham & James

[57] **CLAIM**

The ornamental design for a portable oxygen flow meter, as shown.

DESCRIPTION

FIG. 1 is a top, front and right side perspective view of a portable oxygen flow meter showing our new design; FIG. 2 is a bottom plan view; and, FIG. 3 is a left side elevational view thereof.



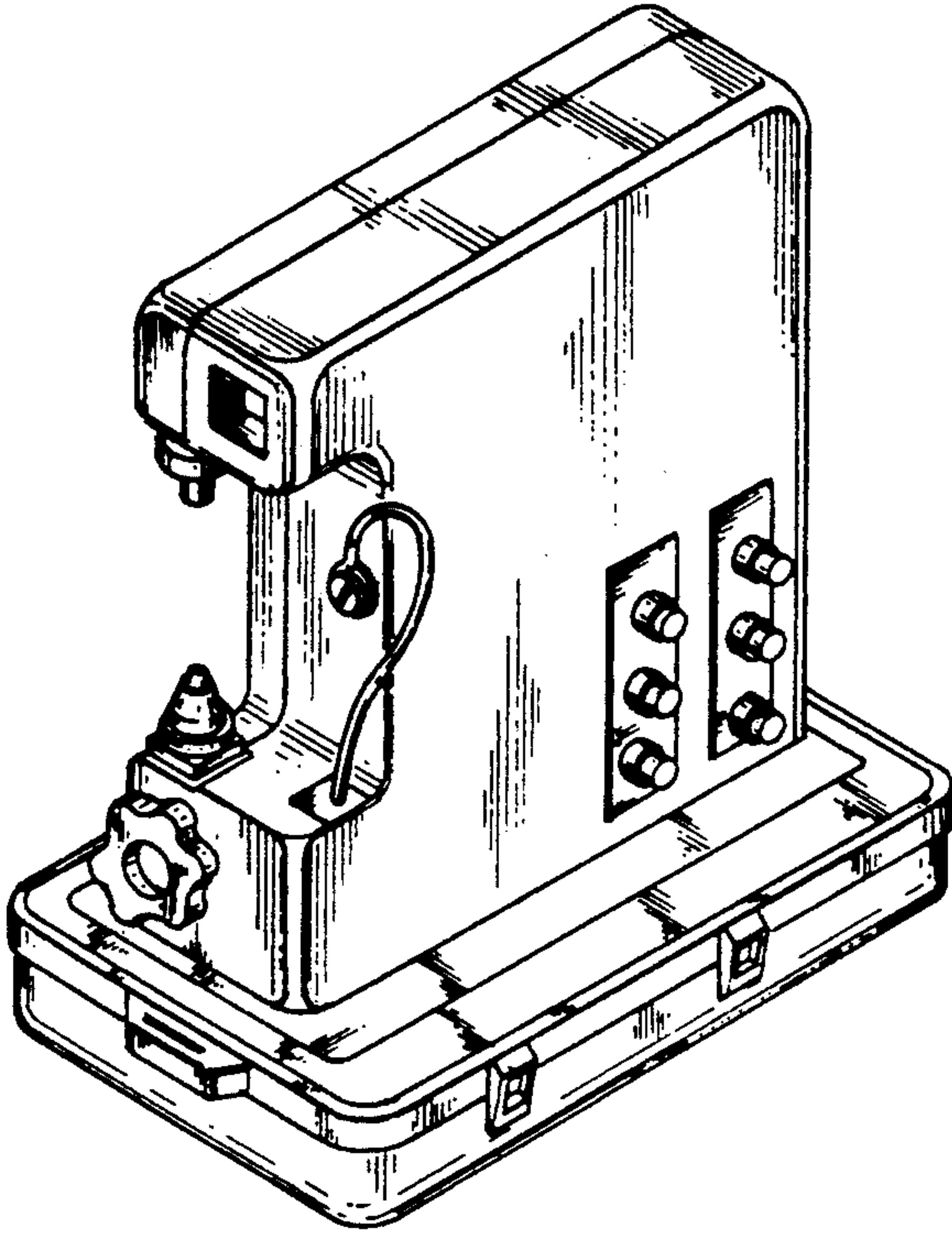


FIG. 1

FIG. 2

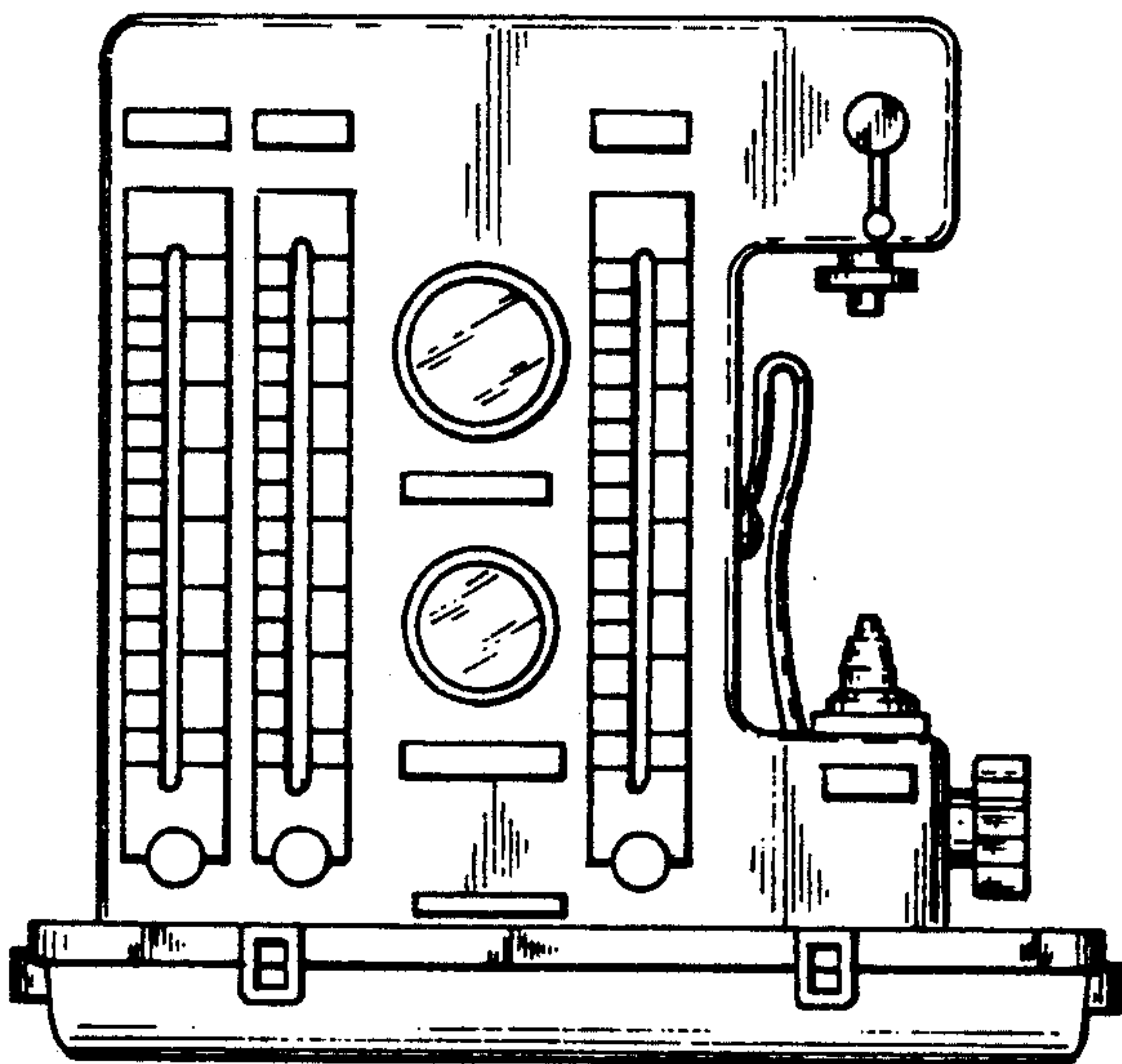
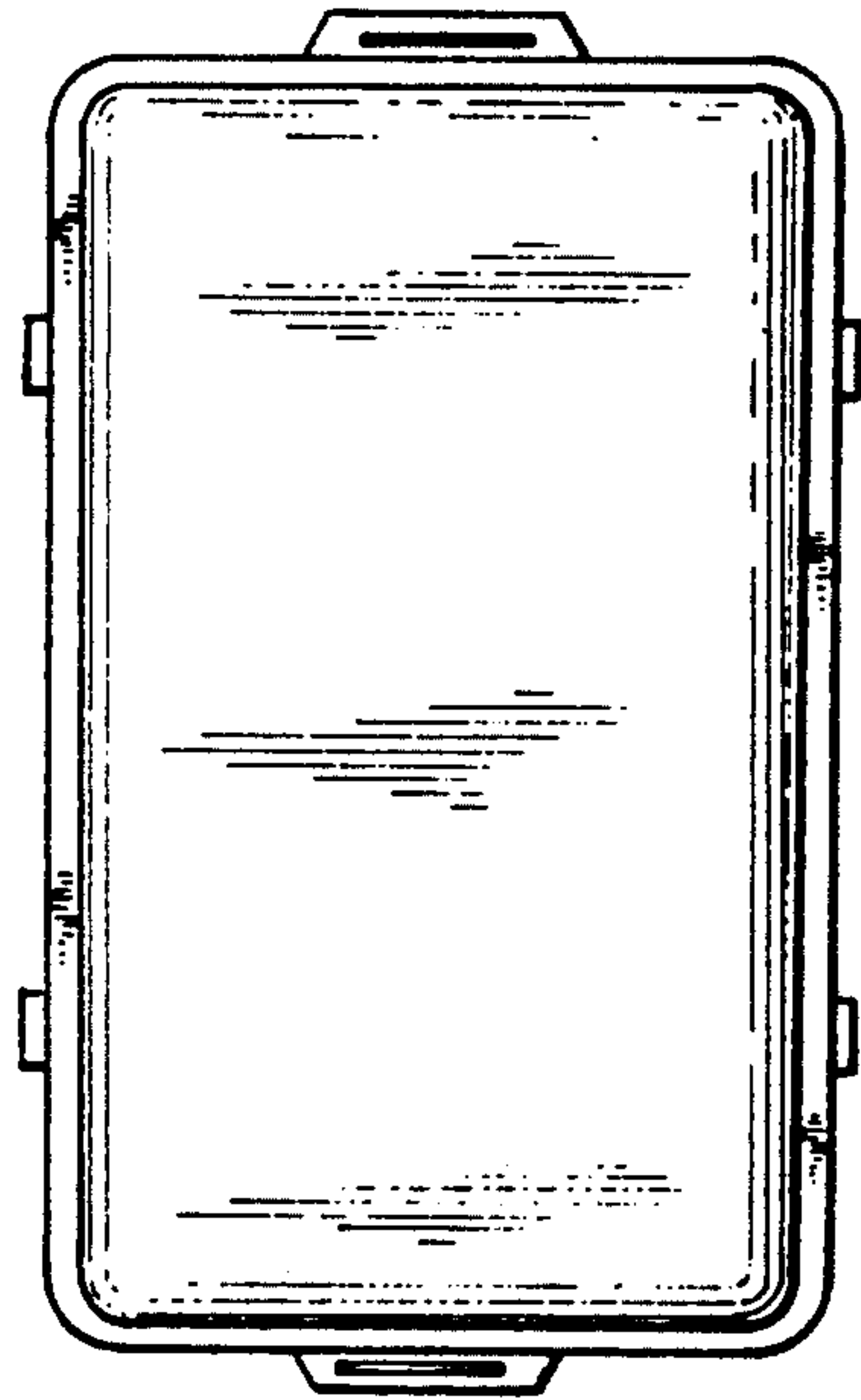


FIG. 3