



US00D334233S

United States Patent [19]

[11] Patent Number: **Des. 334,233**

Schaechter

[45] Date of Patent: **** Mar. 23, 1993**

[54] **CANNULA HUB BODY WITH VIEWING LENS**

[75] Inventor: **Ronald Schaechter**, Los Angeles, Calif.

[73] Assignee: **Baxter International Inc.**, Deerfield, Ill.

[**] Term: **14 Years**

[21] Appl. No.: **727,799**

[22] Filed: **Jul. 8, 1990**

[52] U.S. Cl. **D24/112; D24/130**

[58] Field of Search **D24/112, 130, 114, 146; 128/763, 764; 604/900, 116, 264, 168, 272**

4,193,399 3/1980 Robinson .
 4,193,400 3/1980 Loveless et al. .
 4,240,423 12/1980 Akhavi .
 4,762,516 3/1988 Luther 604/168 X
 4,772,267 9/1988 Brown .

FOREIGN PATENT DOCUMENTS

0139872 5/1985 United Kingdom 604/168

Primary Examiner—Stella Reid
Assistant Examiner—I. Simmons
Attorney, Agent, or Firm—Kay H. Pierce; Paul C. Flattery

[57] CLAIM

The ornamental design for a cannula hub body with viewing lens, as shown and described.

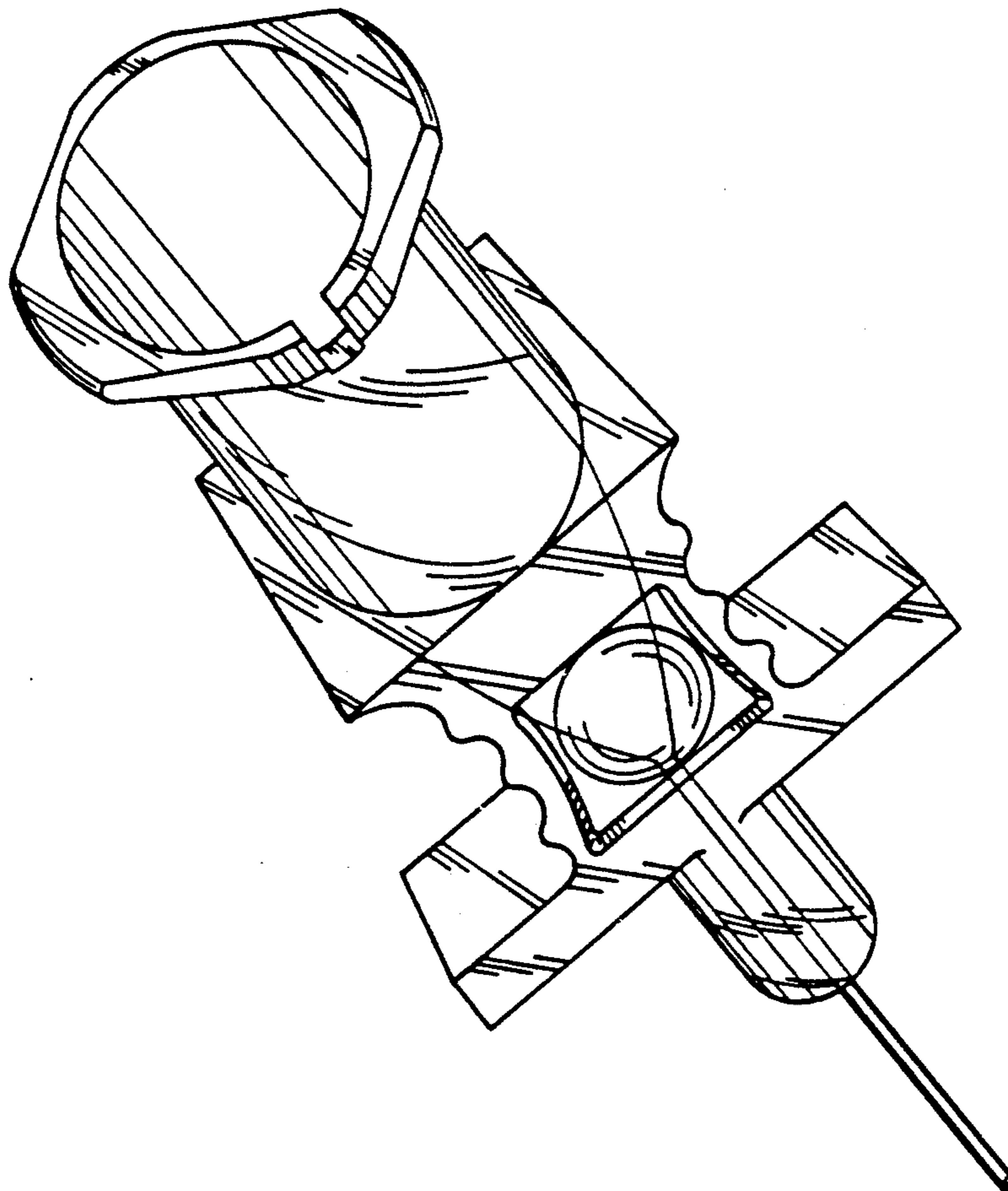
DESCRIPTION

FIG. 1 is a perspective view of a cannula hub body with viewing lens, showing my new design;
 FIG. 2 is a top plan view thereof;
 FIG. 3 is a bottom plan view thereof;
 FIG. 4 is a side elevational view thereof, the opposite side elevational view being identical thereto;
 FIG. 5 is a front elevational view thereof; and,
 FIG. 6 is a rear elevational view thereof.

[56] References Cited

U.S. PATENT DOCUMENTS

D. 304,079 10/1989 McFarlane D24/112
 D. 323,391 1/1992 Payne et al. D24/130
 2,658,511 11/1953 Furnell .
 3,859,998 1/1975 Thomas et al. .
 3,942,514 3/1976 Ogle 128/764
 4,020,835 5/1977 Nordstrom et al. 604/168
 4,020,836 5/1977 Cunningham .



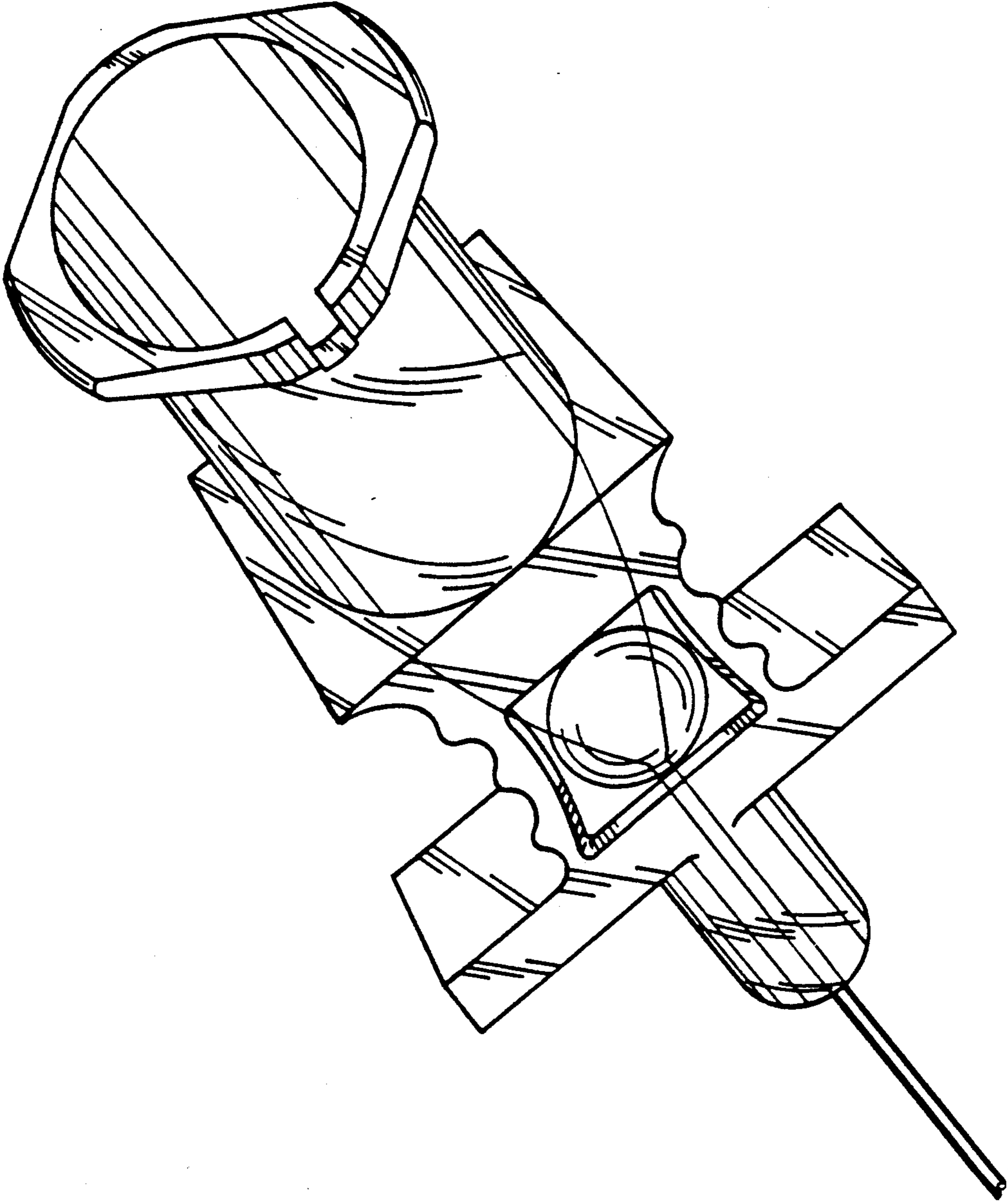


FIG. 1

FIG. 2

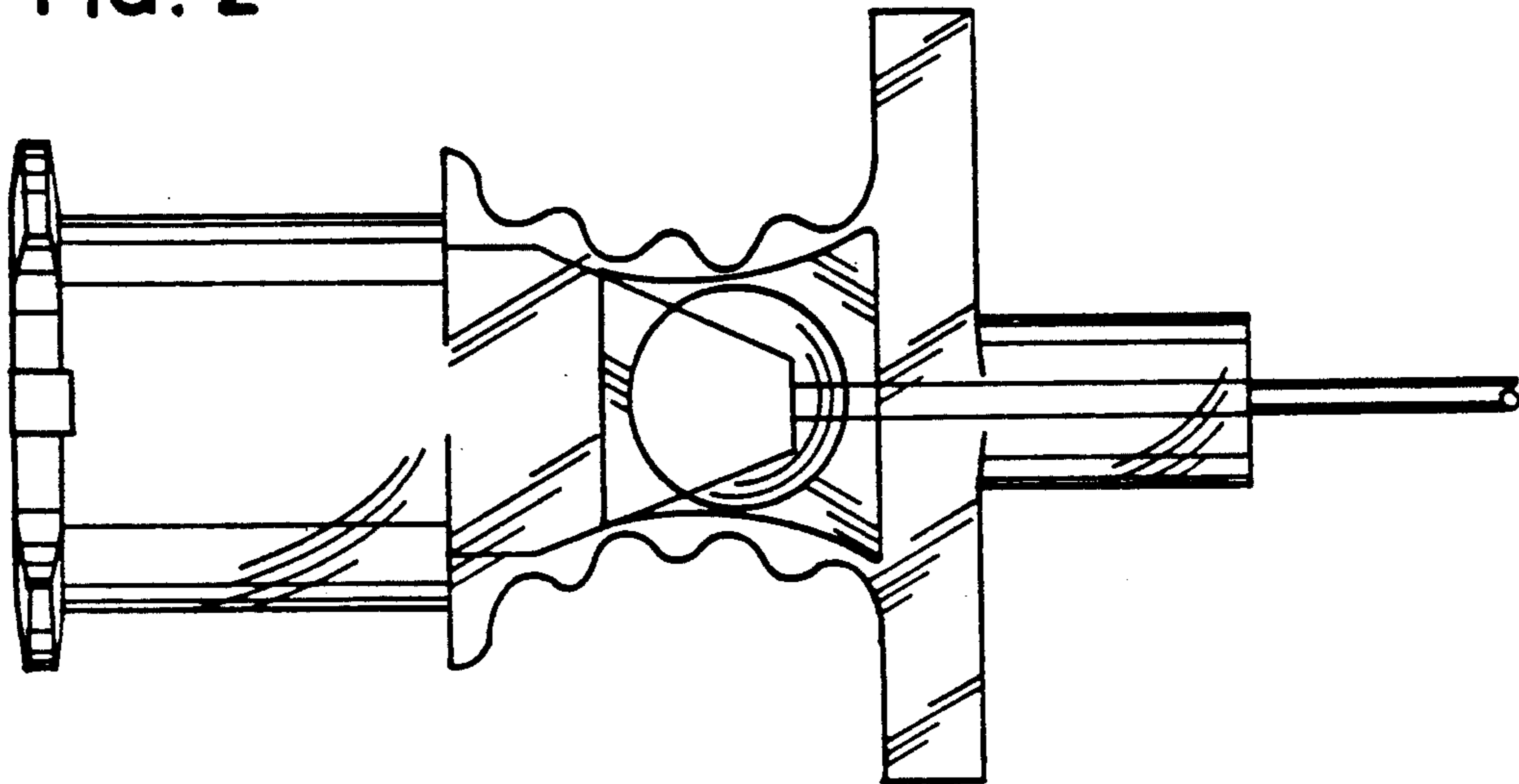


FIG. 3

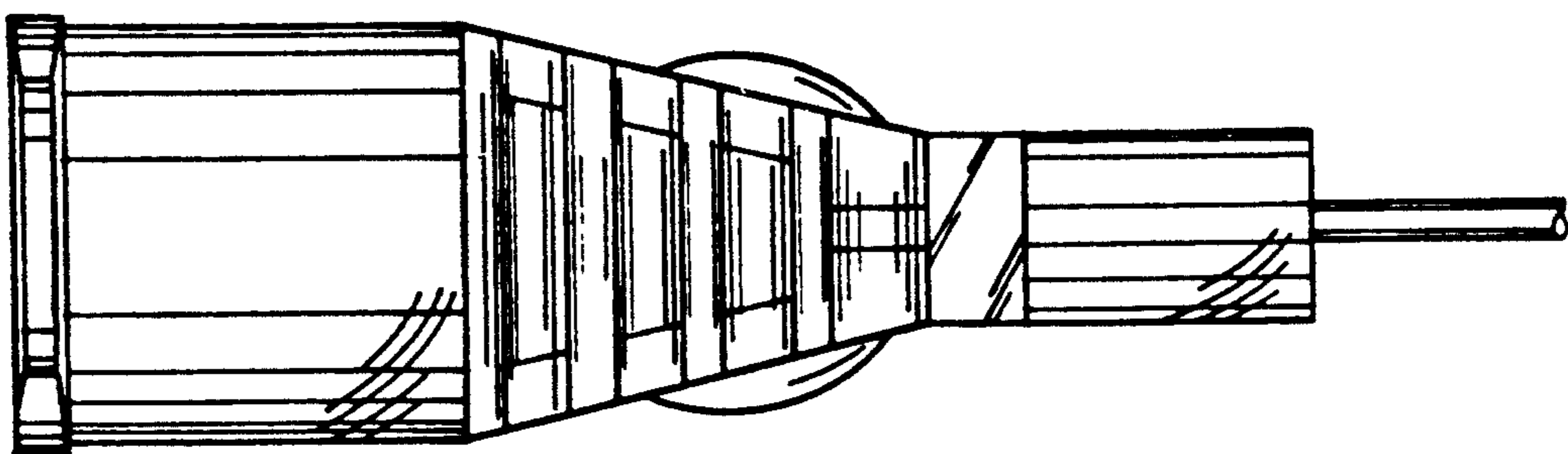
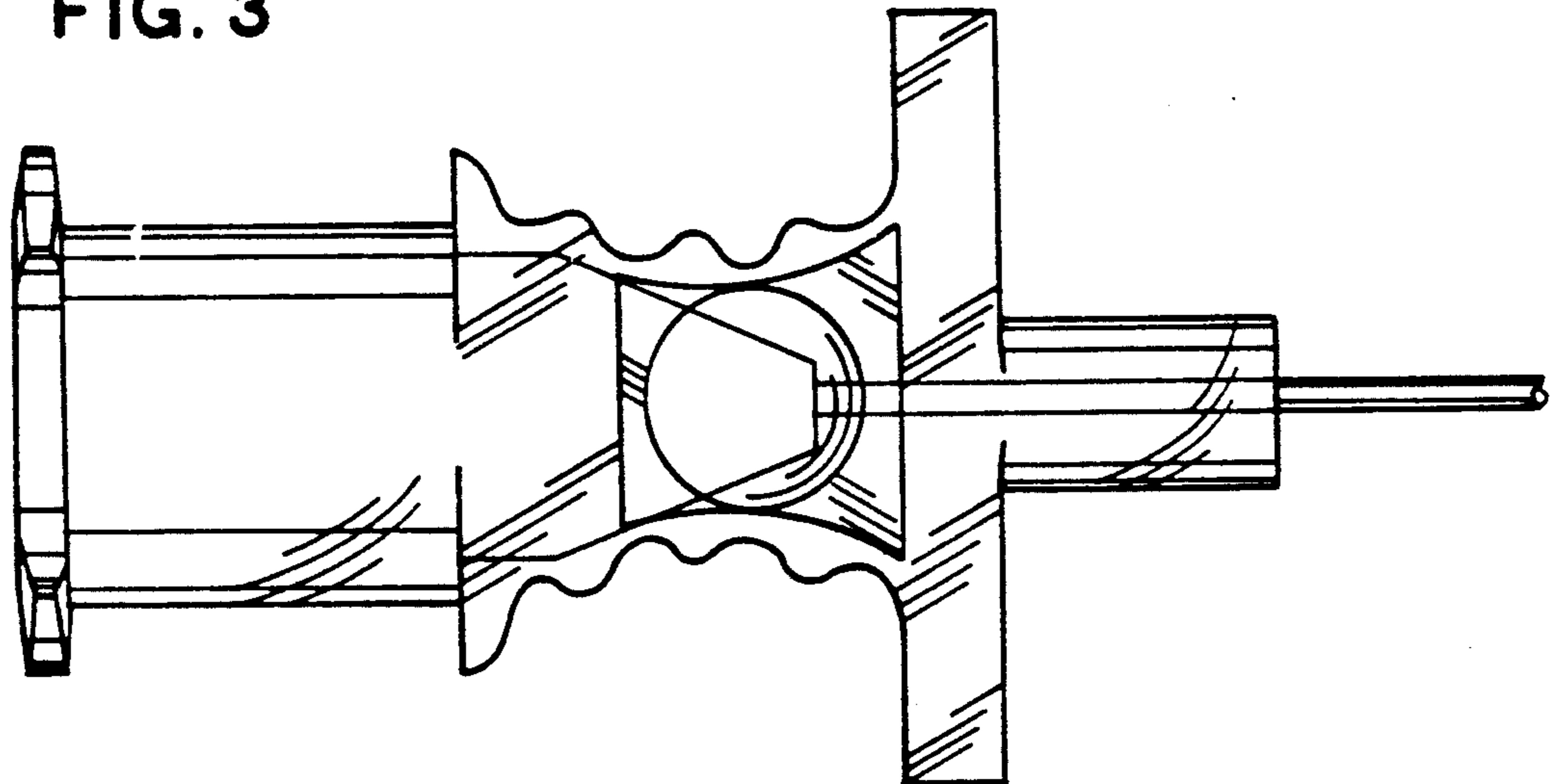


FIG. 4

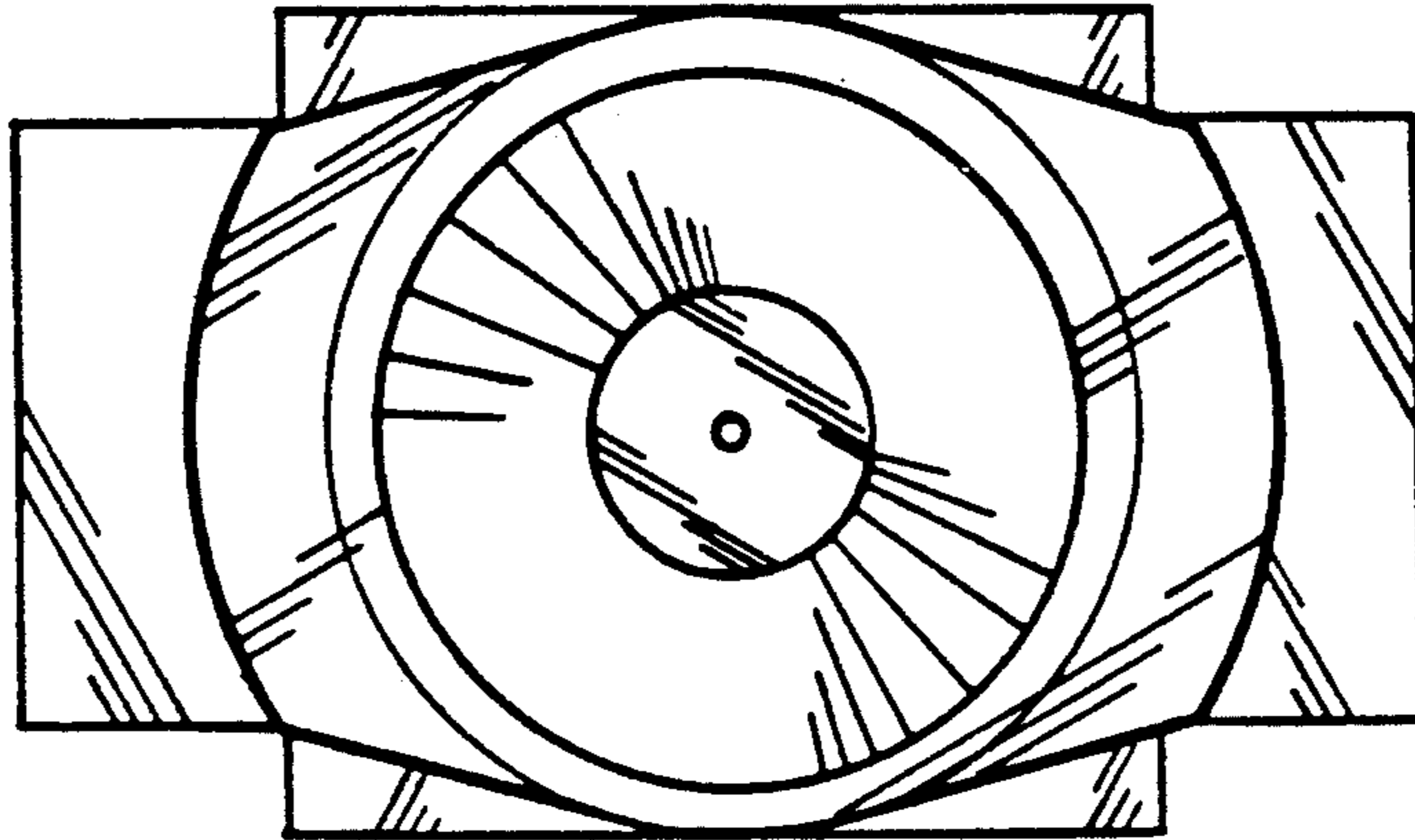


FIG. 5

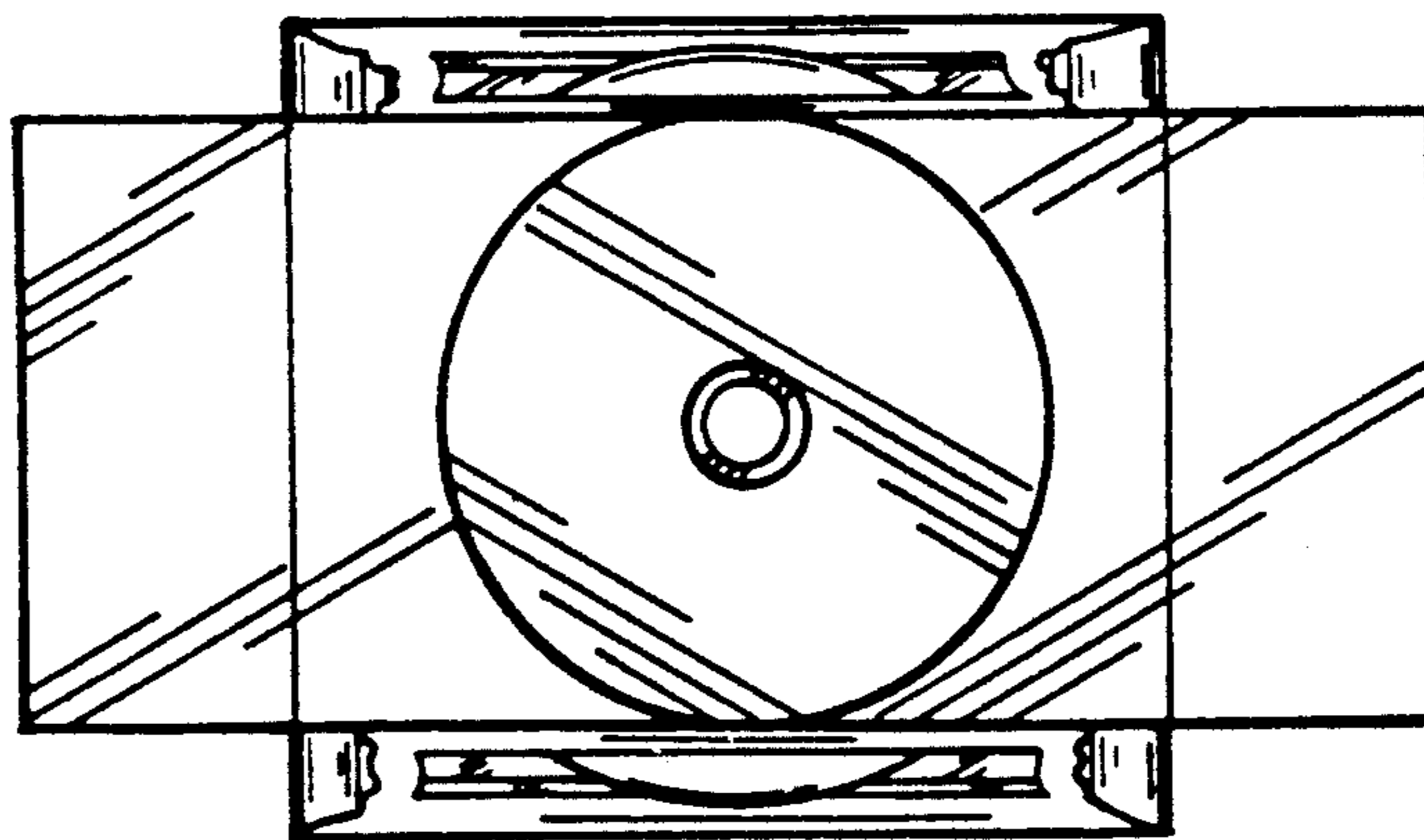


FIG. 6